



US00D868732S

(12) **United States Design Patent**
Jaspers

(10) **Patent No.:** **US D868,732 S**

(45) **Date of Patent:** **** Dec. 3, 2019**

(54) **PAIR OF ELECTRONIC EARMUFFS**

(71) Applicant: **AKT1 Sport, LLC**, Columbus, OH (US)

(72) Inventor: **Blaire Jaspers**, Columbus, OH (US)

(73) Assignee: **AKT1 Sport, LLC**, Columbus, OH (US)

(**) Term: **15 Years**

(21) Appl. No.: **29/661,051**

(22) Filed: **Aug. 24, 2018**

(51) **LOC (12) Cl.** **14-01**

(52) **U.S. Cl.**
USPC **D14/205**; D14/192

(58) **Field of Classification Search**
USPC D14/205, 192, 188, 137, 142; D28/41;
132/273, 275; D29/112, 122; 2/209;
181/129, 130, 135; 379/430, 431;
381/380, 381, 183, 188, 189, 370, 372;
455/90.3, 575.1, 569.1
CPC H04R 25/00; H04R 25/02; H04R 1/1066;
H04R 1/1016; H04R 5/033; H04R
5/0335; A61F 11/14
See application file for complete search history.

(56) **References Cited**

U.S. PATENT DOCUMENTS

- D254,616 S * 4/1980 Tabata D14/205
- D322,071 S * 12/1991 Bergin D14/205
- 5,241,971 A * 9/1993 Lundin A61F 11/14
128/864
- D375,584 S * 11/1996 Westerdal D29/112
- D377,174 S * 1/1997 Runquist D14/206
- D385,665 S * 10/1997 Westerdal D29/112
- D390,564 S * 2/1998 Savona D14/205
- 5,721,775 A * 2/1998 Leifer H04M 1/05
379/430
- D403,126 S * 12/1998 Scanlon D29/112

- D411,200 S * 6/1999 Almqvist D14/192
- D413,413 S * 8/1999 Dillon D14/205
- D425,888 S * 5/2000 Fitzgerald D14/142
- D427,382 S * 6/2000 Leight D29/112
- D434,191 S * 11/2000 Emilsson D29/112
- D459,033 S * 6/2002 Dix D29/112
- D459,337 S * 6/2002 Mori D14/192

(Continued)

FOREIGN PATENT DOCUMENTS

EM 005616950-0002 * 8/2018

Primary Examiner — Paula Allen Greene

(74) *Attorney, Agent, or Firm* — Lorraine Hernandez;
Kegler Brown Hill + Ritter Co LPA

(57) **CLAIM**

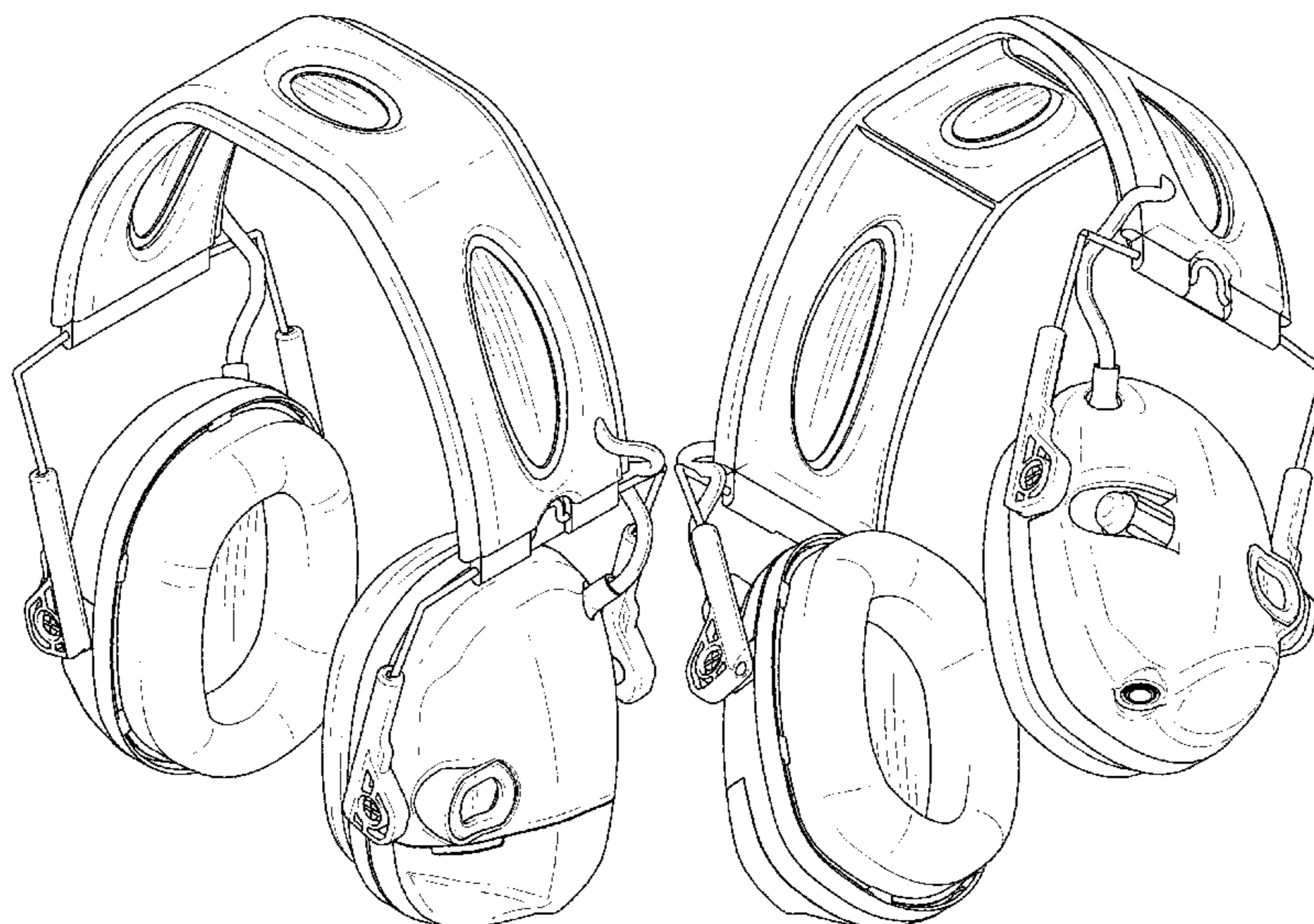
The ornamental design for a pair of electronic earmuffs, as shown and described.

DESCRIPTION

FIG. 1 is a top front perspective view of a pair of electronic earmuffs showing my new design;
 FIG. 2 is bottom rear perspective view of the pair of electronic earmuffs illustrated in FIG. 1;
 FIG. 3 is a front view of the pair of electronic earmuffs illustrated in FIG. 1;
 FIG. 4 is a back view of the pair of electronic earmuffs illustrated in FIG. 1;
 FIG. 5 is a right side view of the pair of electronic earmuffs illustrated in FIG. 1;
 FIG. 6 is a left side view of the pair of electronic earmuffs illustrated in FIG. 1;
 FIG. 7 is a top view of the pair of electronic earmuffs illustrated in FIG. 1; and,
 FIG. 8 is a bottom view of the pair of electronic earmuffs illustrated in FIG. 1.

The broken line disclosure in the views represents portions of pair of electronic earmuffs, which forms no part of the claimed design.

1 Claim, 6 Drawing Sheets



(56)

References Cited

U.S. PATENT DOCUMENTS

6,724,906 B2 * 4/2004 Naksen H04R 1/1066
 381/370
 D497,608 S * 10/2004 Birgersson D14/205
 D509,323 S * 9/2005 Emilsson D29/112
 D512,708 S * 12/2005 Harris, Jr. D14/205
 D616,865 S * 6/2010 Marchand D14/205
 7,766,120 B2 * 8/2010 Hansson A61F 11/14
 181/129
 D633,894 S * 3/2011 Meyer D14/205
 D633,900 S * 3/2011 Tsai D14/230
 D633,984 S * 3/2011 Plantz D23/202
 D641,727 S * 7/2011 Krauss D14/206
 D663,902 S * 7/2012 Karlsson A61F 11/14
 D29/122
 D687,409 S * 8/2013 Lee D14/205
 D703,183 S * 4/2014 Moriya H04S 1/005
 D14/206
 D713,375 S * 9/2014 Dedinas D14/206
 D713,376 S * 9/2014 Dedinas D14/206

D736,475 S * 8/2015 Fletcher D29/112
 D741,286 S * 10/2015 Brennwald D14/205
 D744,171 S * 11/2015 Rose D29/112
 D747,557 S * 1/2016 Bonney D29/112
 D752,816 S * 3/2016 Fletcher D29/112
 D763,518 S * 8/2016 Fletcher D29/112
 D764,717 S * 8/2016 Fletcher D29/112
 D766,207 S * 9/2016 Paterson D14/205
 D766,208 S * 9/2016 Paterson D14/205
 D772,842 S * 11/2016 Sharp D14/205
 D789,615 S * 6/2017 Pratley D29/112
 D790,506 S * 6/2017 Broadley D14/206
 D805,257 S * 12/2017 Maansson D29/122
 D805,697 S * 12/2017 Pratley D29/112
 D807,585 S * 1/2018 Fletcher D29/112
 D821,653 S * 6/2018 Pratley D29/112
 D830,642 S * 10/2018 Fletcher D29/122
 D848,679 S * 5/2019 Wilson D29/112
 D851,839 S * 6/2019 Scanlon D29/112
 D857,656 S * 8/2019 Ipsen D14/206
 2013/0340769 A1 * 12/2013 Roos A61F 11/14
 128/866

* cited by examiner

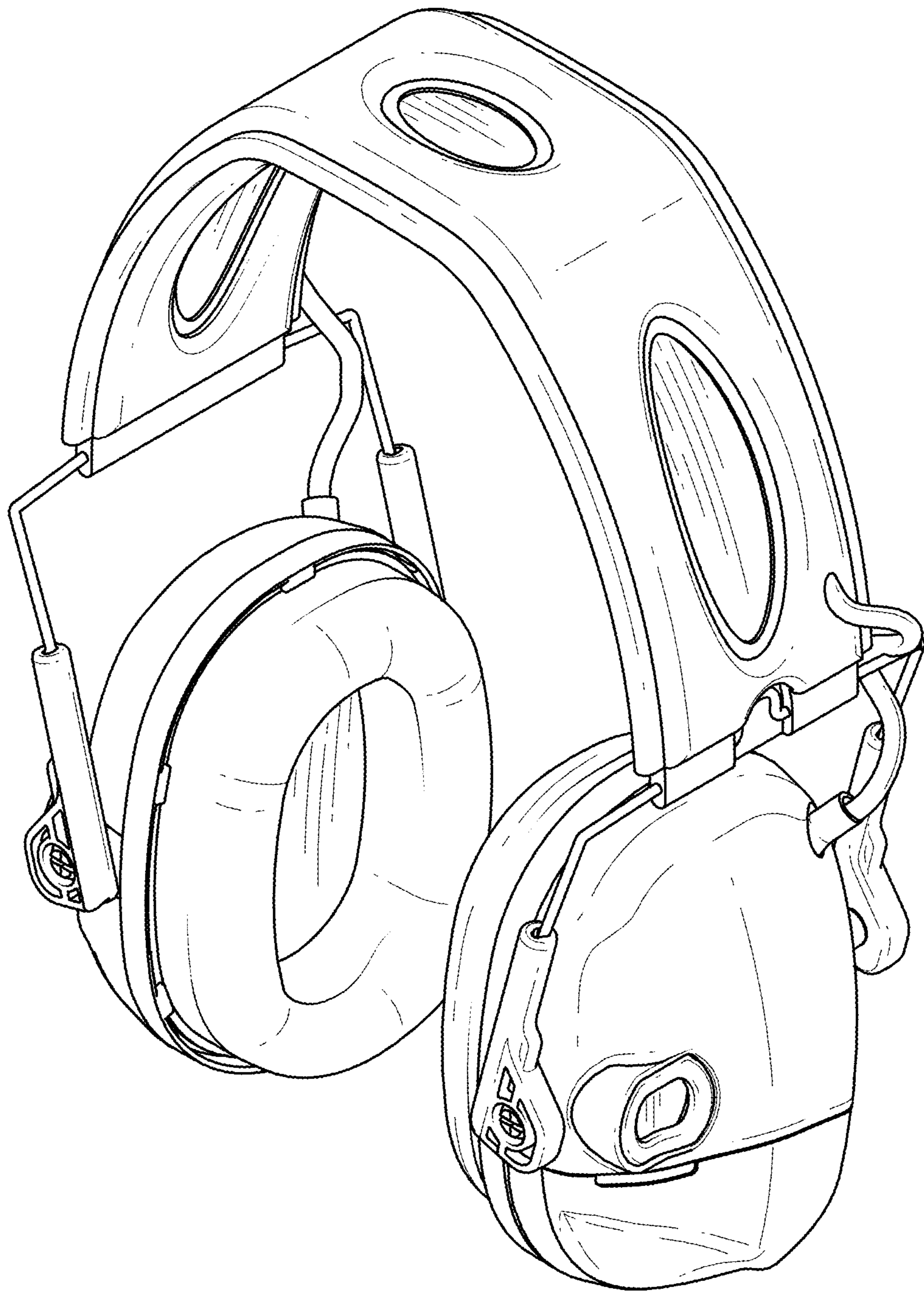


FIG. 1

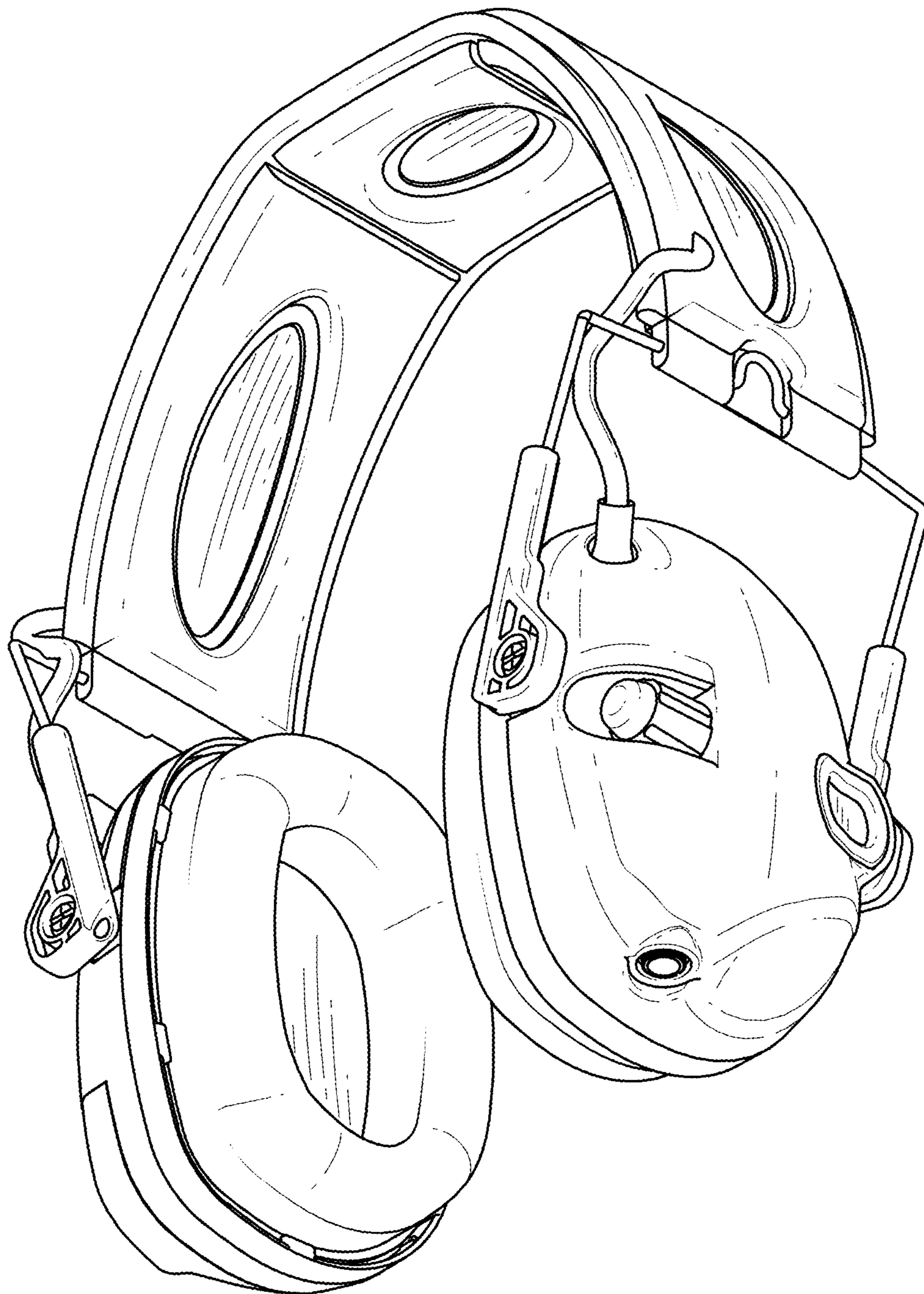


FIG. 2

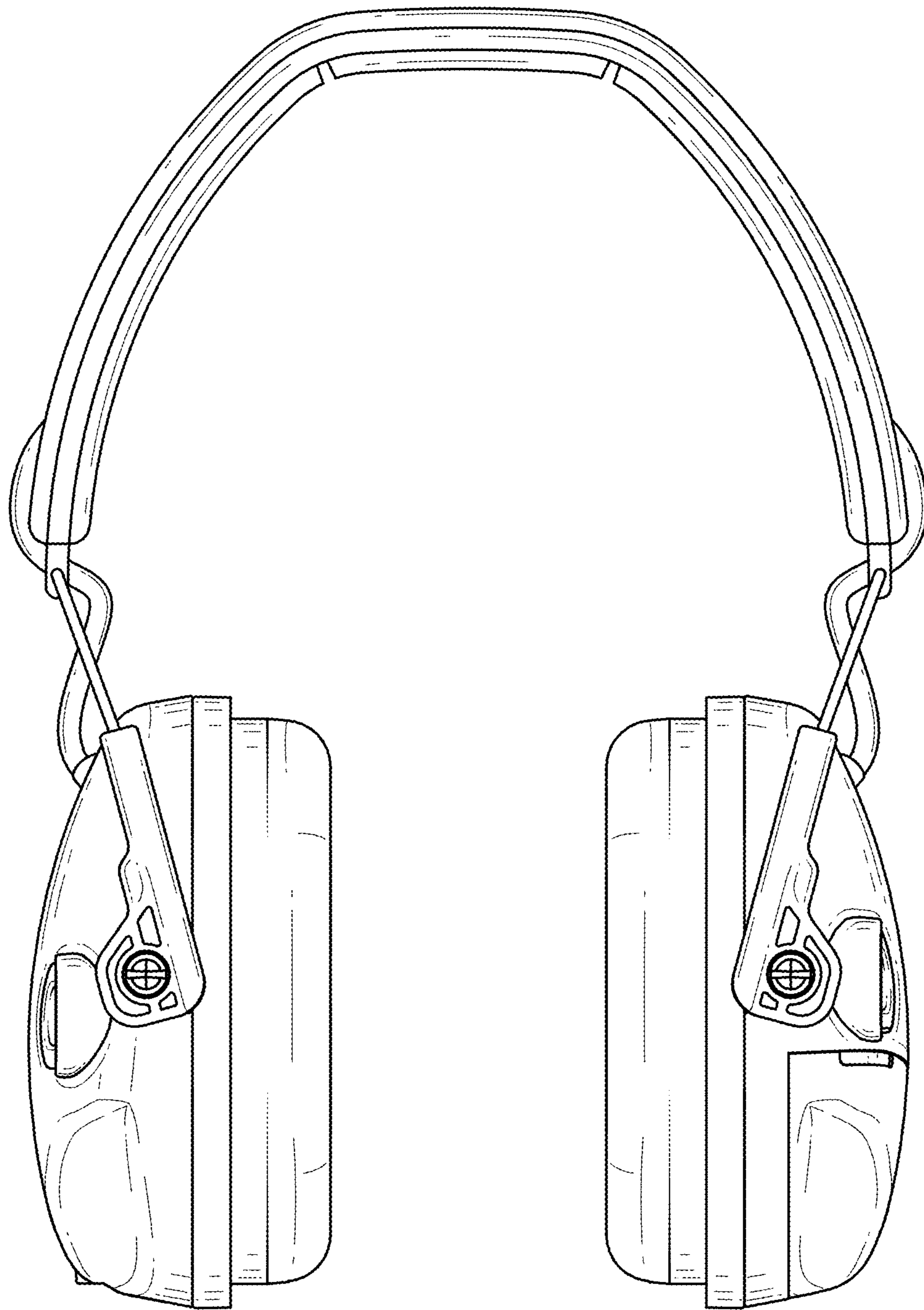


FIG. 3



FIG. 4

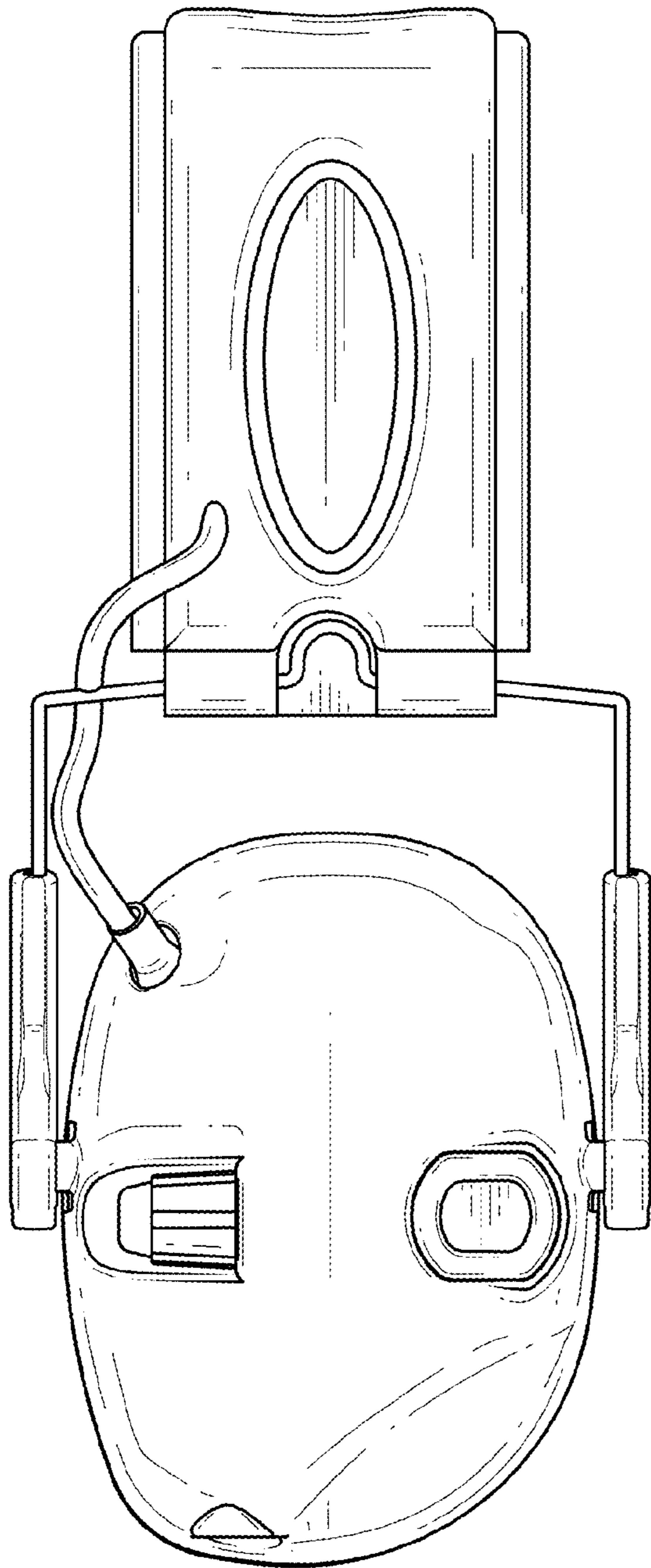


FIG. 5

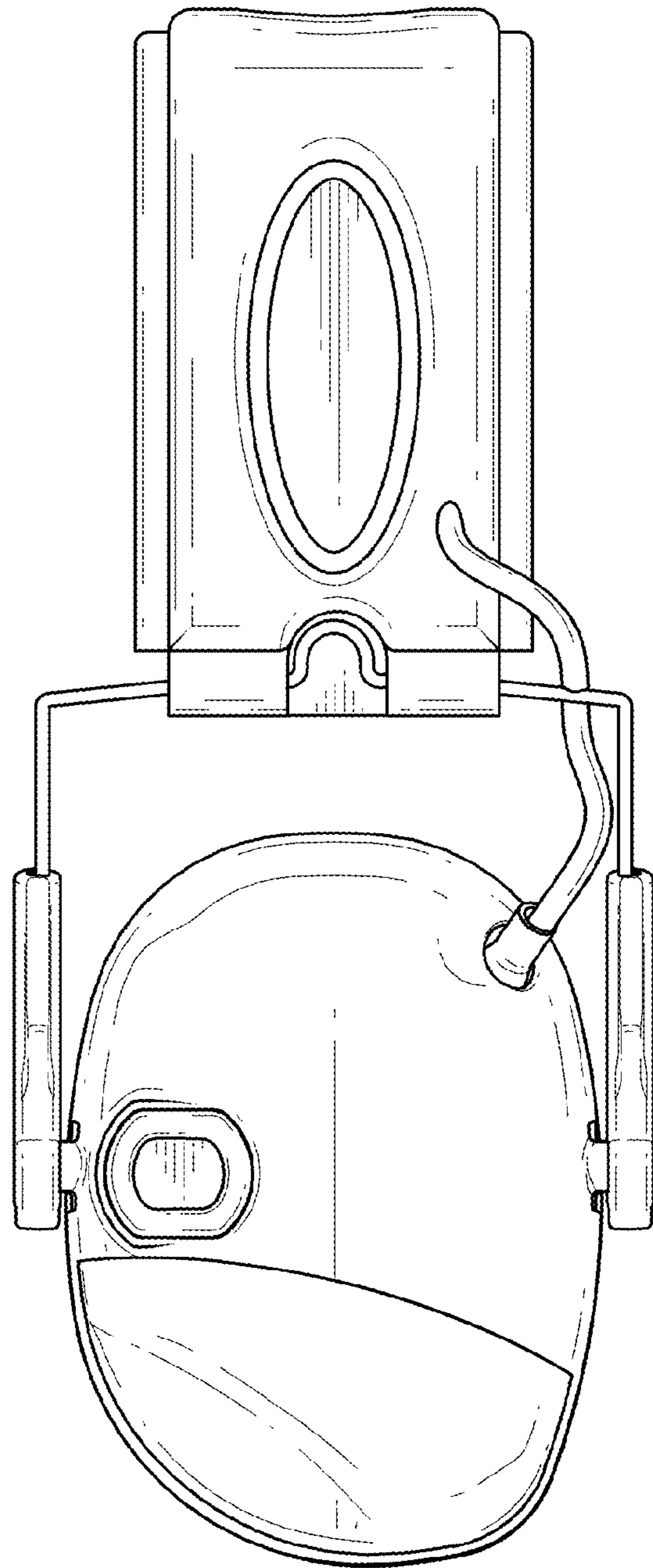


FIG. 6

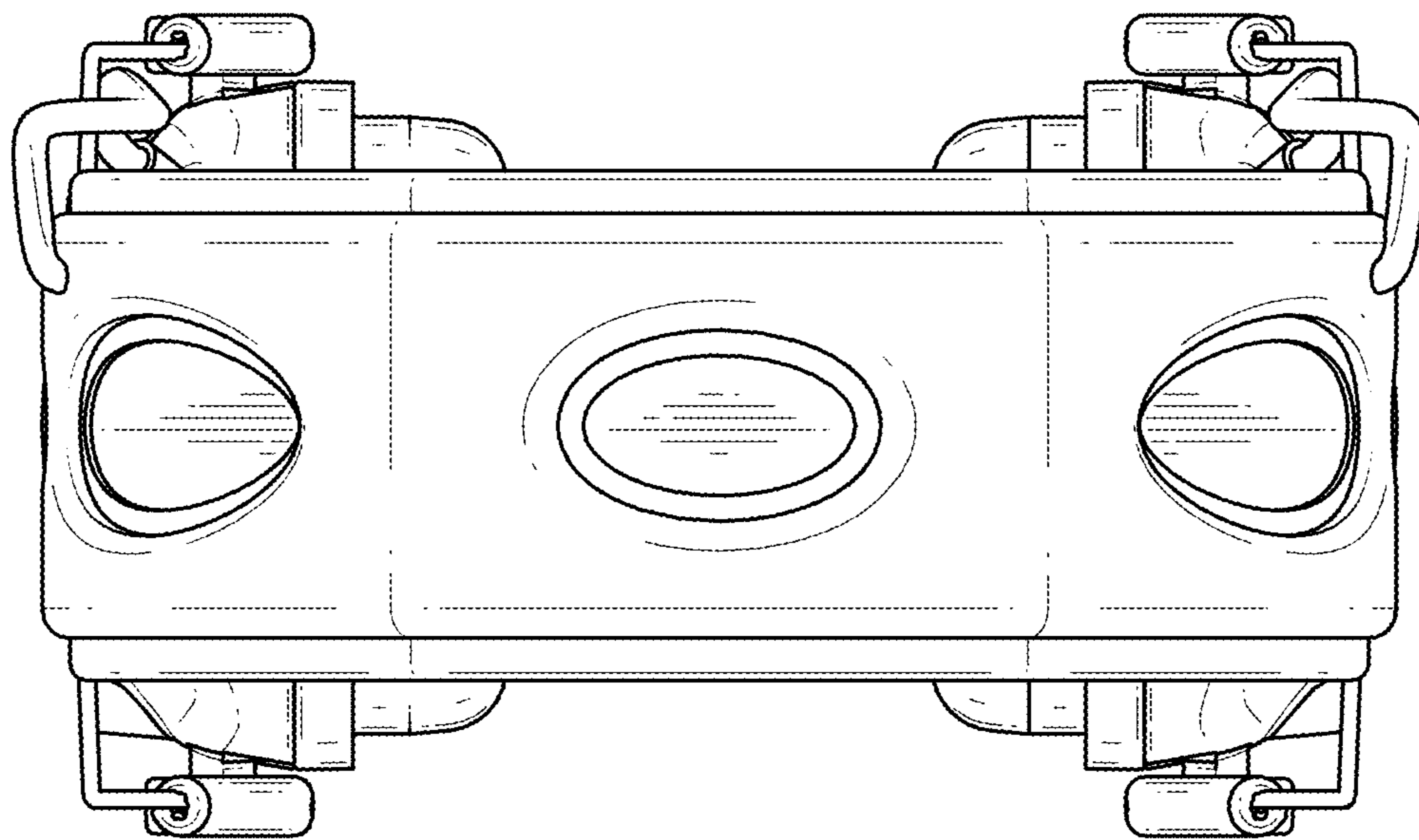


FIG. 7

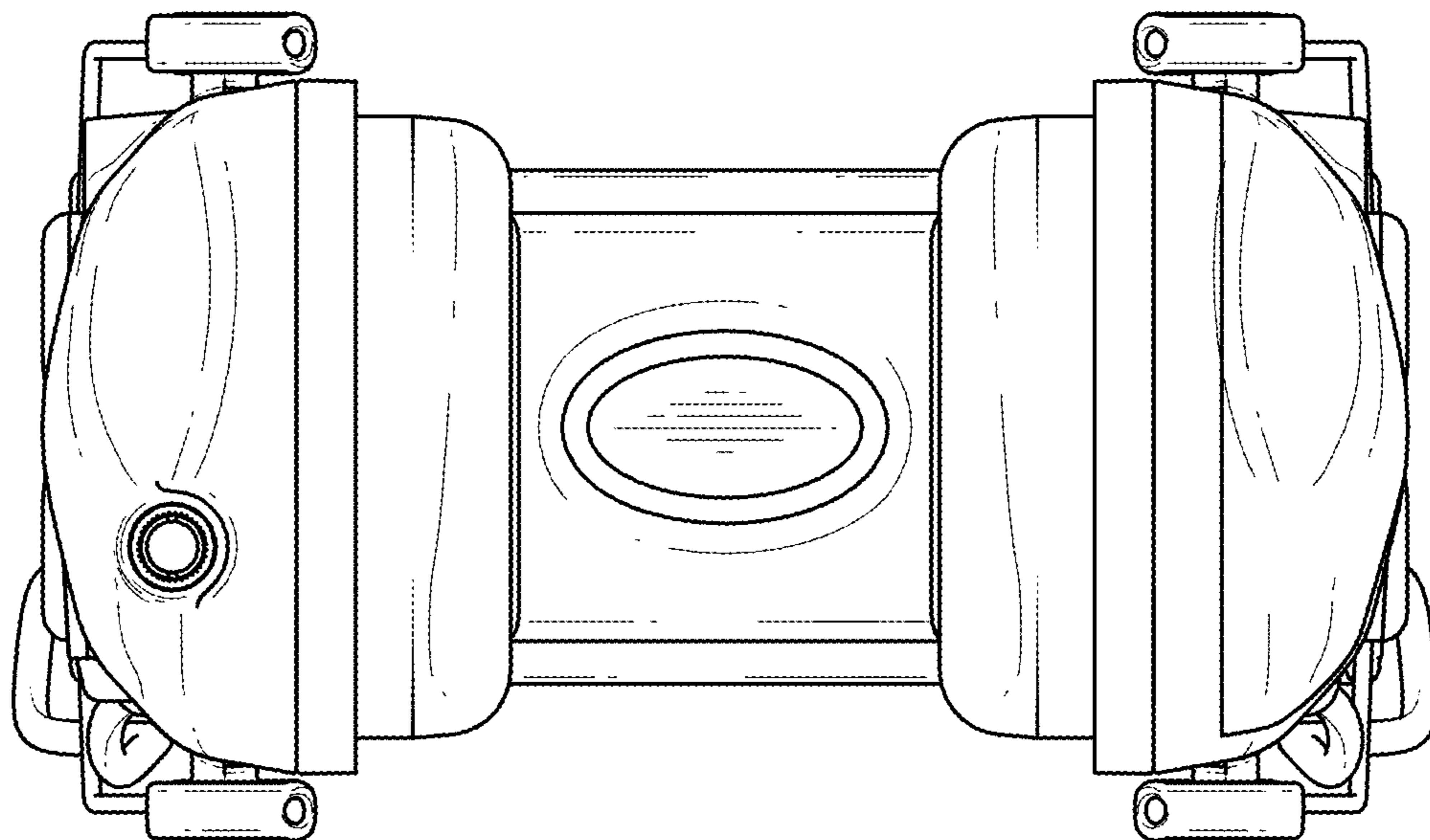


FIG. 8