



US00D868728S

(12) **United States Design Patent**
Zaihui

(10) **Patent No.:** **US D868,728 S**

(45) **Date of Patent:** **** Dec. 3, 2019**

(54) **WIRELESS HEADPHONE**

(71) Applicant: **Hu Zaihui**, Shenzhen (CN)

(72) Inventor: **Hu Zaihui**, Shenzhen (CN)

(73) Assignee: **MPOW TECHNOLOGY CO. LIMITED**, Kowloon (HK)

(**) Term: **15 Years**

(21) Appl. No.: **29/627,202**

(22) Filed: **Nov. 23, 2017**

(51) **LOC (12) Cl.** **14-01**

(52) **U.S. Cl.**
USPC **D14/205**

(58) **Field of Classification Search**
USPC D14/205, 188, 192; D29/112; 2/209;
181/129, 130, 135; 379/430, 431;
381/380, 381, 374; 455/90.3, 575.1,
455/569.1

CPC H04R 1/1066; H04R 1/1016; H04R 25/00;
H04R 5/033; H04R 5/0335; H04R
1/1083; H04R 1/1058; A42B 3/166

See application file for complete search history.

(56) **References Cited**

U.S. PATENT DOCUMENTS

- 2,029,442 A * 2/1936 Rabinowitz A44C 5/0053
428/222
- 2,149,341 A * 3/1939 Harrison H04R 1/1066
381/379
- 2,167,228 A * 7/1939 Wood A41D 23/00
2/207
- D203,677 S * 2/1966 Spilman D14/205
- 3,488,457 A * 1/1970 Lahti H04R 1/1008
381/371
- D317,767 S * 6/1991 Banks D14/205
- D328,461 S * 8/1992 Daido D14/205
- D339,467 S * 9/1993 Teague D2/875
- 5,574,795 A * 11/1996 Seki H04R 5/0335
381/370

- D465,379 S * 11/2002 Favela D7/332
- 6,611,963 B2 * 9/2003 Woo A61F 11/14
2/209
- D519,497 S * 4/2006 Komiyama D14/223
- D560,654 S * 1/2008 Feng D14/205
- D570,825 S * 6/2008 Schultz D14/205
- D581,394 S * 11/2008 Lee D14/205
- D632,668 S 2/2011 Brunner et al.
- D638,397 S * 5/2011 McManigal D14/205
- D660,823 S 5/2012 Hardi et al.

(Continued)

FOREIGN PATENT DOCUMENTS

- EM 003996883-0004 * 5/2017
- EM 003996883-0005 * 5/2017

OTHER PUBLICATIONS

US Trademark Registration No. 4841872; Mark—Mpow Filing date: Aug. 10, 2013 Publication date: Apr. 14, 2015.

(Continued)

Primary Examiner — Paula Allen Greene
(74) *Attorney, Agent, or Firm* — LegalForce RAPC
Worldwide

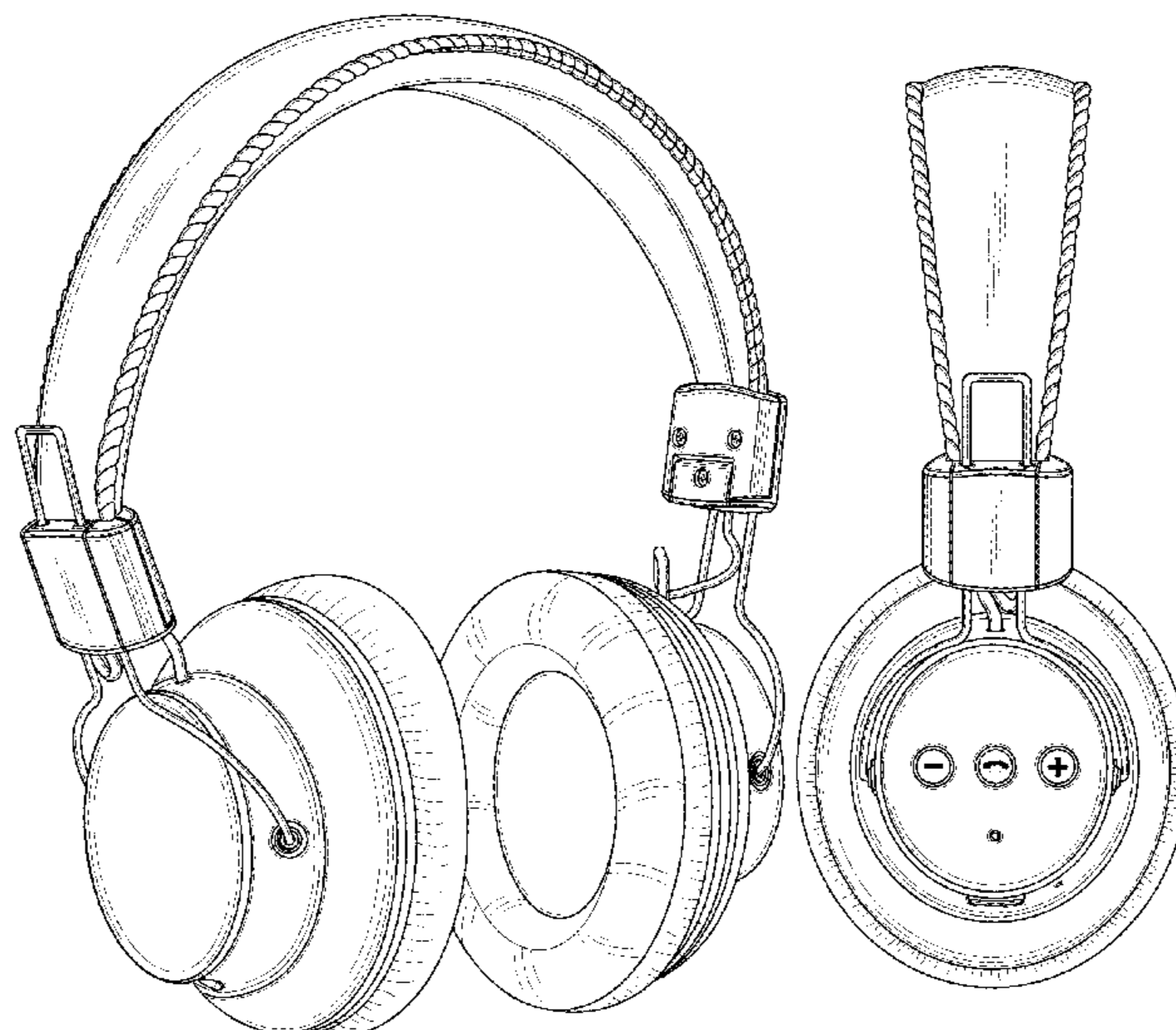
(57) **CLAIM**

The ornamental design for a wireless headphone, as shown and described.

DESCRIPTION

FIG. 1 is a front left perspective view for a wireless headphone, showing my new design;
FIG. 2 is a front elevational view of FIG. 1 thereof;
FIG. 3 is a rear elevational view of FIG. 1 thereof;
FIG. 4 is a left side elevational view of FIG. 1 thereof;
FIG. 5 is a right side elevational view of FIG. 1 thereof;
FIG. 6 is a top plan view of FIG. 1 thereof; and,
FIG. 7 is a bottom plan view of FIG. 1 thereof.

1 Claim, 7 Drawing Sheets



(56)

References Cited

U.S. PATENT DOCUMENTS

D662,490 S 6/2012 McSweyn
 D664,117 S 7/2012 Tappeiner et al.
 D668,633 S * 10/2012 Enquist D14/205
 D673,518 S 1/2013 Tan
 D684,559 S * 6/2013 Groset D14/205
 D689,463 S 9/2013 Hardi et al.
 D693,791 S 11/2013 Troy
 D696,228 S 12/2013 Miyake et al.
 D700,590 S * 3/2014 Heath D14/205
 D702,210 S 4/2014 Birger
 8,755,555 B2 * 6/2014 Dougherty H04R 1/1066
 381/370
 D712,871 S 9/2014 McNamara
 D717,764 S 11/2014 Lee et al.
 D718,872 S * 12/2014 Davis D24/216
 D721,054 S * 1/2015 Lu D14/205
 D722,589 S * 2/2015 Lu D14/205
 D722,590 S * 2/2015 Lu D14/205
 D722,591 S 2/2015 Son et al.
 D732,001 S 6/2015 Licht et al.
 D737,799 S * 9/2015 Carr D14/205
 D738,350 S 9/2015 Brunner et al.
 D738,850 S 9/2015 Chung et al.
 D740,254 S 10/2015 Huang et al.
 D758,990 S 6/2016 Jiang
 D769,842 S 10/2016 Rouffiat
 D777,010 S * 1/2017 Sarnowski D8/331
 D778,258 S 2/2017 Hsu et al.
 D786,824 S 5/2017 Hembrey
 D791,733 S 7/2017 Brunner et al.
 D796,477 S * 9/2017 Minn D14/205
 D809,475 S 2/2018 Dryden et al.
 D811,362 S * 2/2018 Petersen D14/205
 D811,365 S * 2/2018 Czaniecki D14/205
 D813,837 S 3/2018 Paterson

D814,439 S * 4/2018 Birath D14/205
 D817,303 S 5/2018 Tragatschnig
 D821,356 S 6/2018 Wei et al.
 D826,894 S * 8/2018 Zhang D14/205
 D826,895 S * 8/2018 Sharp D14/205
 D830,330 S * 10/2018 Petersen D14/205
 D830,331 S * 10/2018 Petersen D14/205
 D832,811 S * 11/2018 Levine D14/205
 D837,763 S * 1/2019 Suzuki D14/205
 D842,270 S * 3/2019 Chen D14/205
 D849,712 S * 5/2019 Billaudet D14/205
 D851,622 S * 6/2019 Billaudet D14/205
 D851,839 S * 6/2019 Scanlon D29/112
 2005/0105755 A1 * 5/2005 Yueh H04R 1/1041
 381/371
 2008/0056525 A1 * 3/2008 Fujiwara H04R 1/1033
 381/374
 2012/0243703 A1 * 9/2012 Huang H04R 5/0335
 381/74
 2017/0041697 A1 * 2/2017 Levine H04R 1/1033
 2018/0020277 A1 * 1/2018 Briggs H04R 1/1008

OTHER PUBLICATIONS

US Trademark Registration No. 4762936; Mark—Mpow Filing date: Mar. 26, 2014 Publication date: Apr. 14, 2015.
 “H1 Bluetooth Headphones Over Ear”, by Mpow, Found Online [Jul. 4, 2018] https://images-na.ssl-images-amazon.com/images/I/61gPuNabgYL._SL1200_.jpg.
 “Bluetooth Over Ear Headphones—Audition”, by Avantree, Found Online [Jul. 4, 2018] <http://lghhttp.50157.nexcessodn.net/8028284/magento/media/wysiwyg/bluetooth-headset/AS9/PT01.jpg>.
 “Adaro Wireless Bluetooth Headphones”, by Razer, Found Online [Jul. 4, 2018] http://images-na.ssl-images-amazon.com/images/I/811Kczro%2BPL._SL1500_.jpg.

* cited by examiner



FIG. 1



FIG. 2



FIG. 3

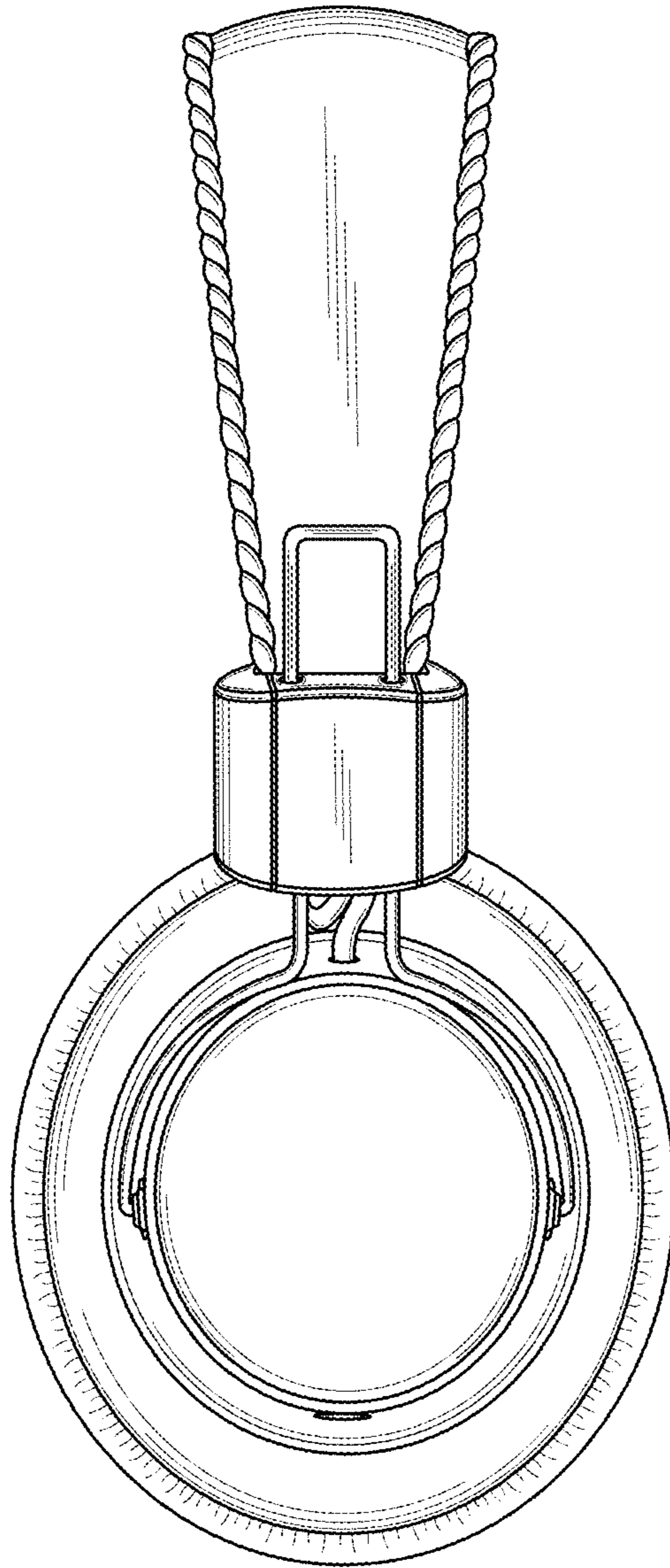


FIG. 4

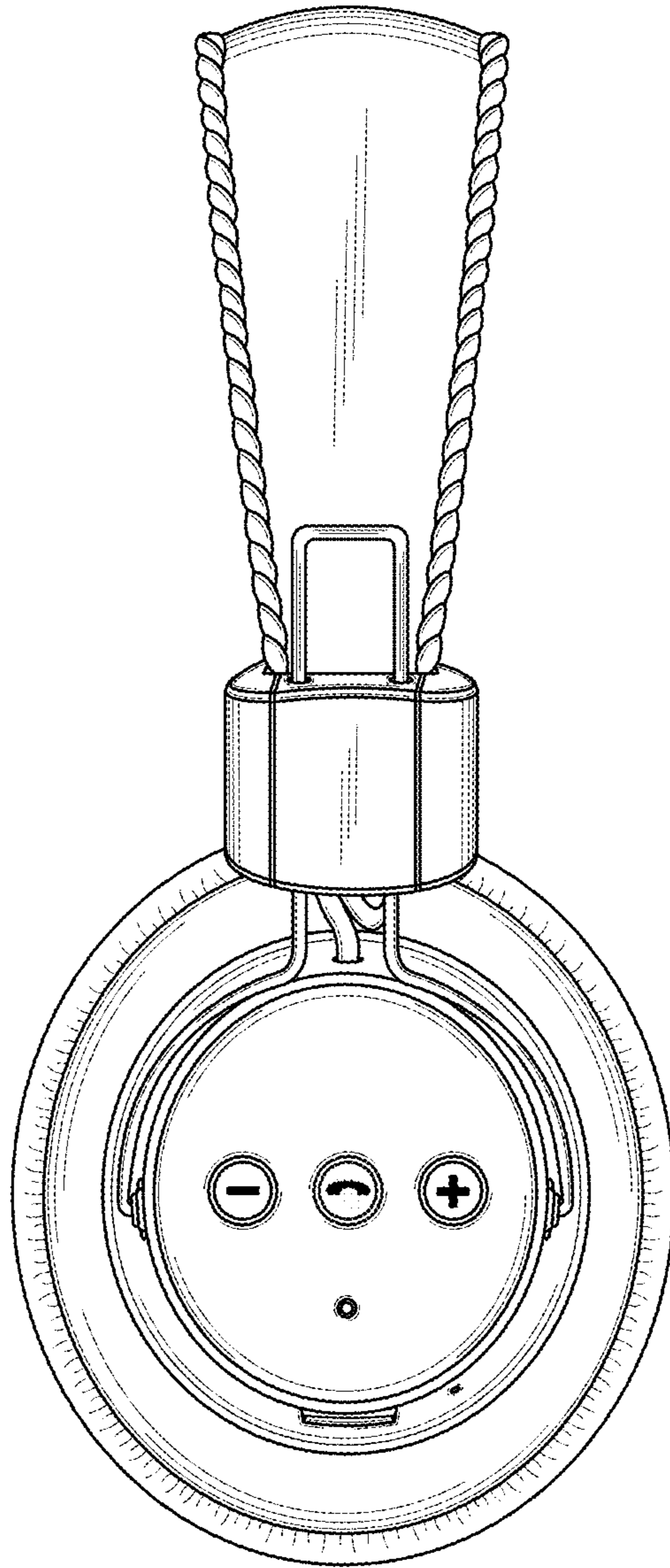


FIG. 5

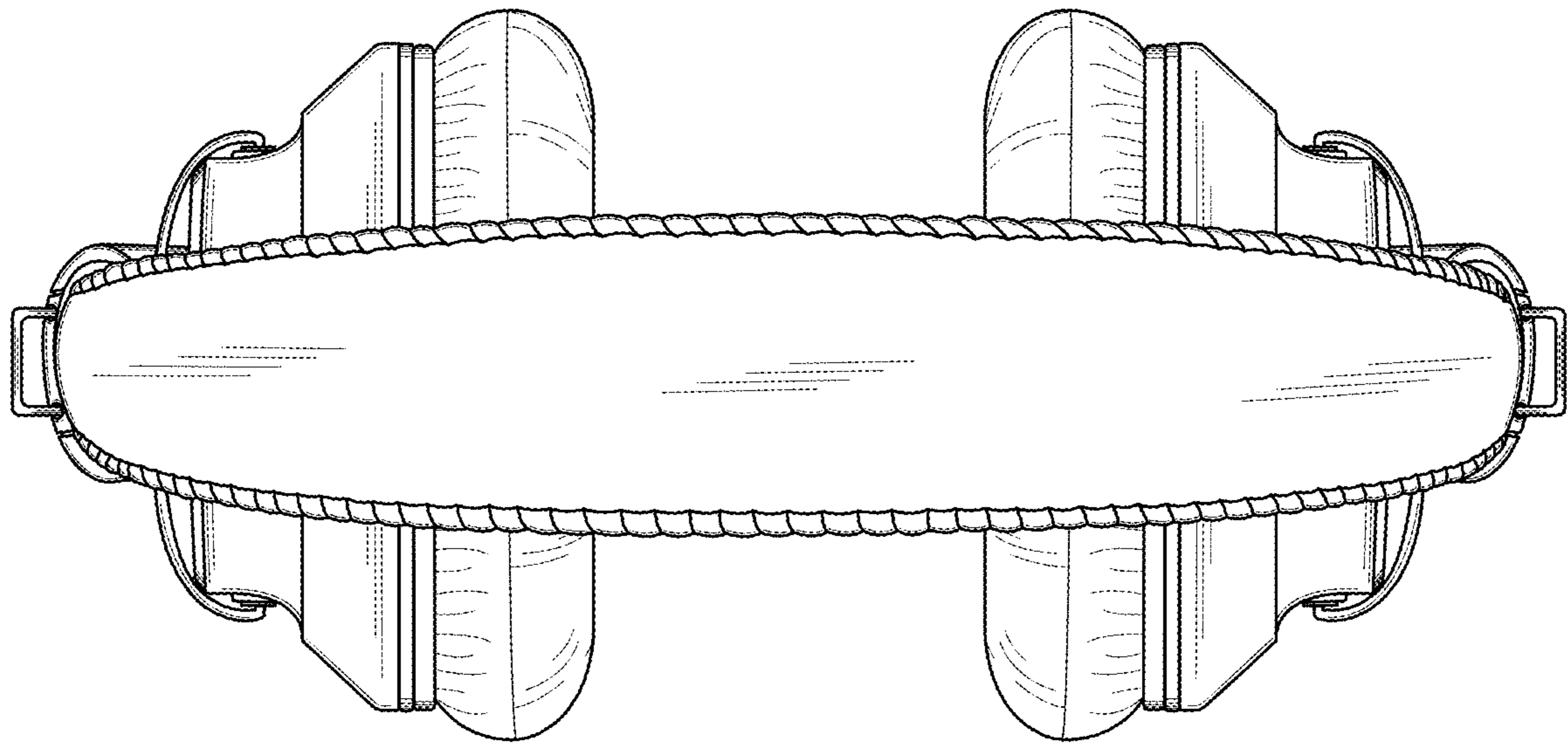


FIG. 6

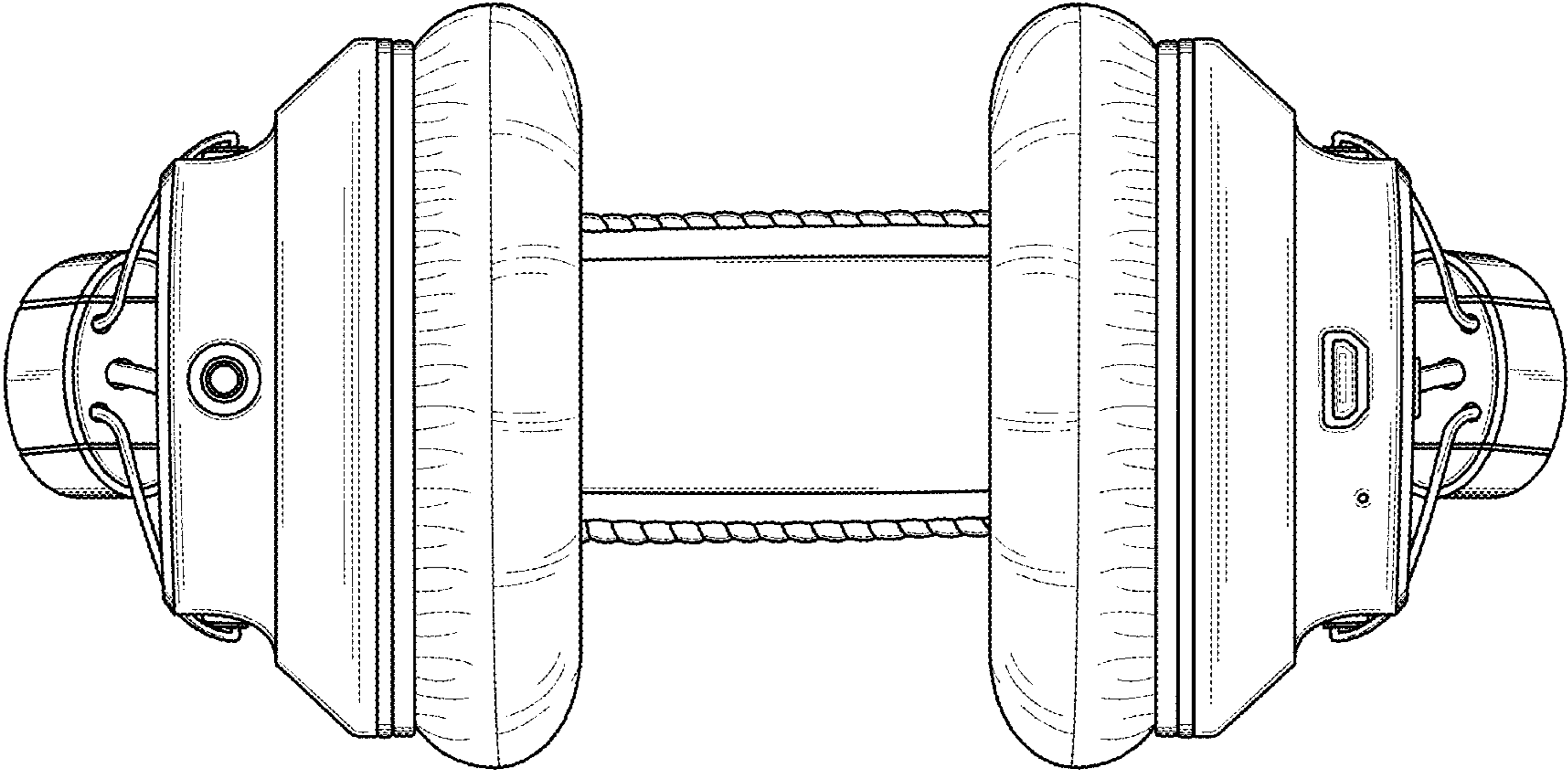


FIG. 7