



US00D868723S

(12) **United States Design Patent**  
**Webb**

(10) **Patent No.:** **US D868,723 S**

(45) **Date of Patent:** **\*\* Dec. 3, 2019**

(54) **QUIET CUSHION FACEPIECE WITH FRICTION FIT SLEEVE**

(71) Applicant: **Damon Webb**, Victoria (CA)

(72) Inventor: **Damon Webb**, Victoria (CA)

(73) Assignee: **Damon Webb**, Victoria (CA)

(\*\*) Term: **15 Years**

(21) Appl. No.: **29/638,710**

(22) Filed: **Feb. 28, 2018**

(51) **LOC (12) Cl.** ..... **14-01**

(52) **U.S. Cl.**  
USPC ..... **D14/154**

(58) **Field of Classification Search**  
USPC ..... D14/154, 158-159; D24/110; 369/260;  
379/441, 444  
CPC .. H04M 1/05; H04M 1/09; H04R 1/08; H04R  
1/083; H04R 3/00

See application file for complete search history.

(56) **References Cited**

**U.S. PATENT DOCUMENTS**

2,117,236 A	5/1938	Beard
2,508,581 A	5/1950	Morrow
2,526,177 A	10/1950	Webb
2,572,547 A	10/1951	Webb
2,625,615 A	1/1953	Webb
2,745,911 A	5/1956	Webb
D177,947 S	6/1956	Sherwood
2,769,039 A	10/1956	Webb
2,848,565 A	8/1958	Webb
2,855,067 A	10/1958	Di Mattia
2,857,013 A	10/1958	Orso
2,830,135 A	12/1958	Webb
2,882,355 A	4/1959	Webb
D193,187 S	7/1962	Webb
3,114,802 A	12/1963	Beguin

3,193,624 A	7/1965	Webb	
3,796,842 A	3/1974	Guille	
D236,033 S	7/1975	Dryden	
4,129,754 A	12/1978	Gore	
4,396,089 A	8/1983	Scully	
4,834,212 A	5/1989	Figone	
D303,440 S	9/1989	Campbell	
D355,484 S	2/1995	Rinehart	
D427,986 S	7/2000	Webb	
7,783,034 B2	8/2010	Manne	
D673,134 S	12/2012	Webb	
D738,345 S	9/2015	Webb	
D738,346 S	9/2015	Webb	
D764,432 S *	8/2016	Webb	..... D14/154
D766,202 S *	9/2016	Webb	..... D14/154

(Continued)

*Primary Examiner* — Sandra L Morris

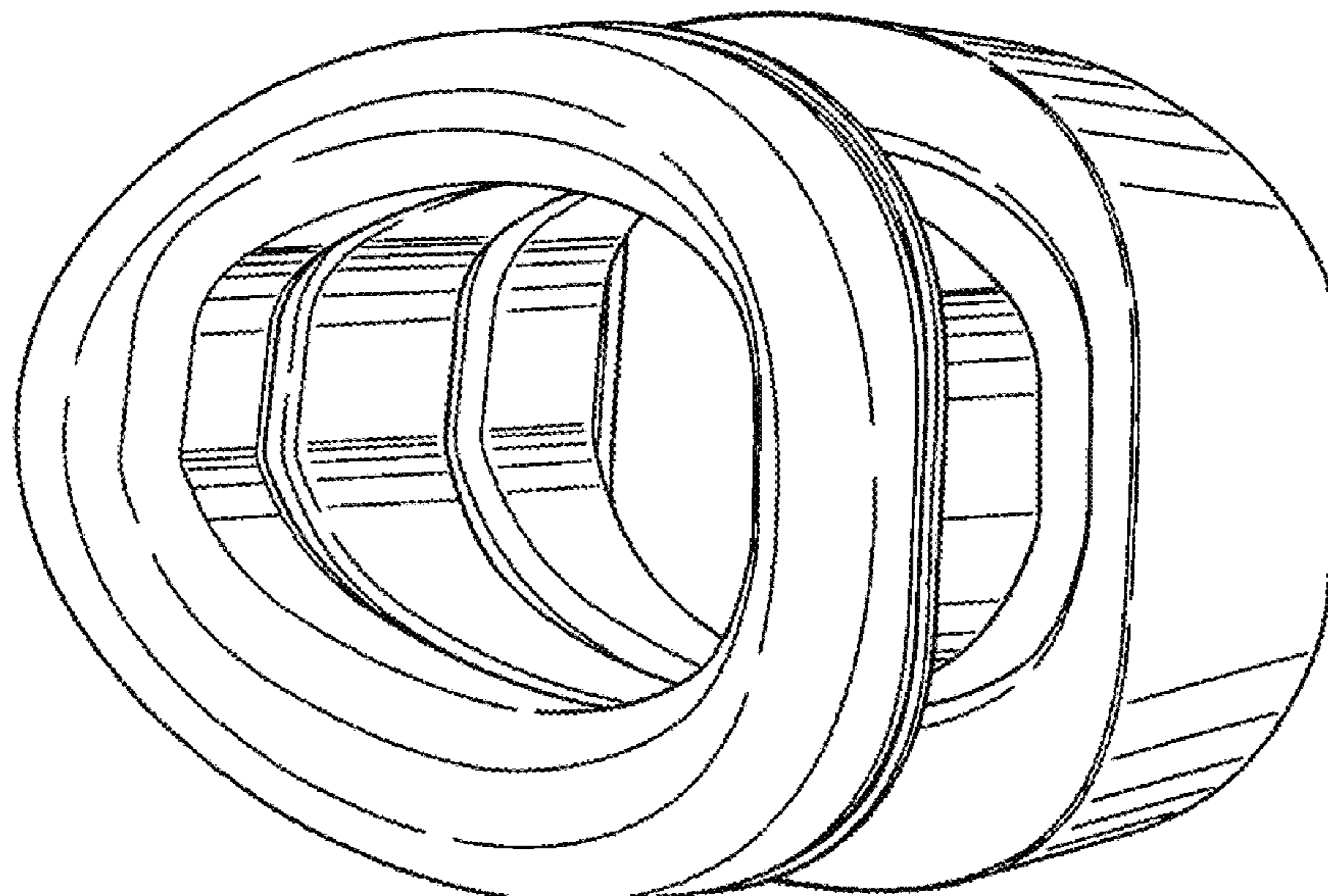
(57) **CLAIM**

The ornamental design for quiet cushion facepiece with friction fit sleeve, as shown and described.

**DESCRIPTION**

FIG. 1 is a bottom view of the quiet cushion facepiece with friction fit sleeve, with the pieces shown apart;  
 FIG. 2 is a front right perspective view thereof;  
 FIG. 3 is a top view thereof;  
 FIG. 4 is a rear right perspective view thereof;  
 FIG. 5 is a rear right perspective view with the facepiece fully inserted into the friction fit sleeve;  
 FIG. 6 is a front view of the facepiece, shown separately for ease of illustration;  
 FIG. 7 is a rear view of the friction fit sleeve, shown separately for ease of illustration;  
 FIG. 8 is a front perspective view of the front of the friction fit sleeve, with the two pieces which comprise the sleeve shown separately for ease of illustration; and,  
 FIG. 9 is a rear perspective view of the device as shown in FIG. 1.

**1 Claim, 5 Drawing Sheets**



(56)

**References Cited**

U.S. PATENT DOCUMENTS

D766,203 S *	9/2016	Webb	.....	D14/154
2002/0077838 A1	6/2002	Dutta		
2015/0235652 A1*	8/2015	Moser	.....	H04R 1/083
				379/392.01

\* cited by examiner

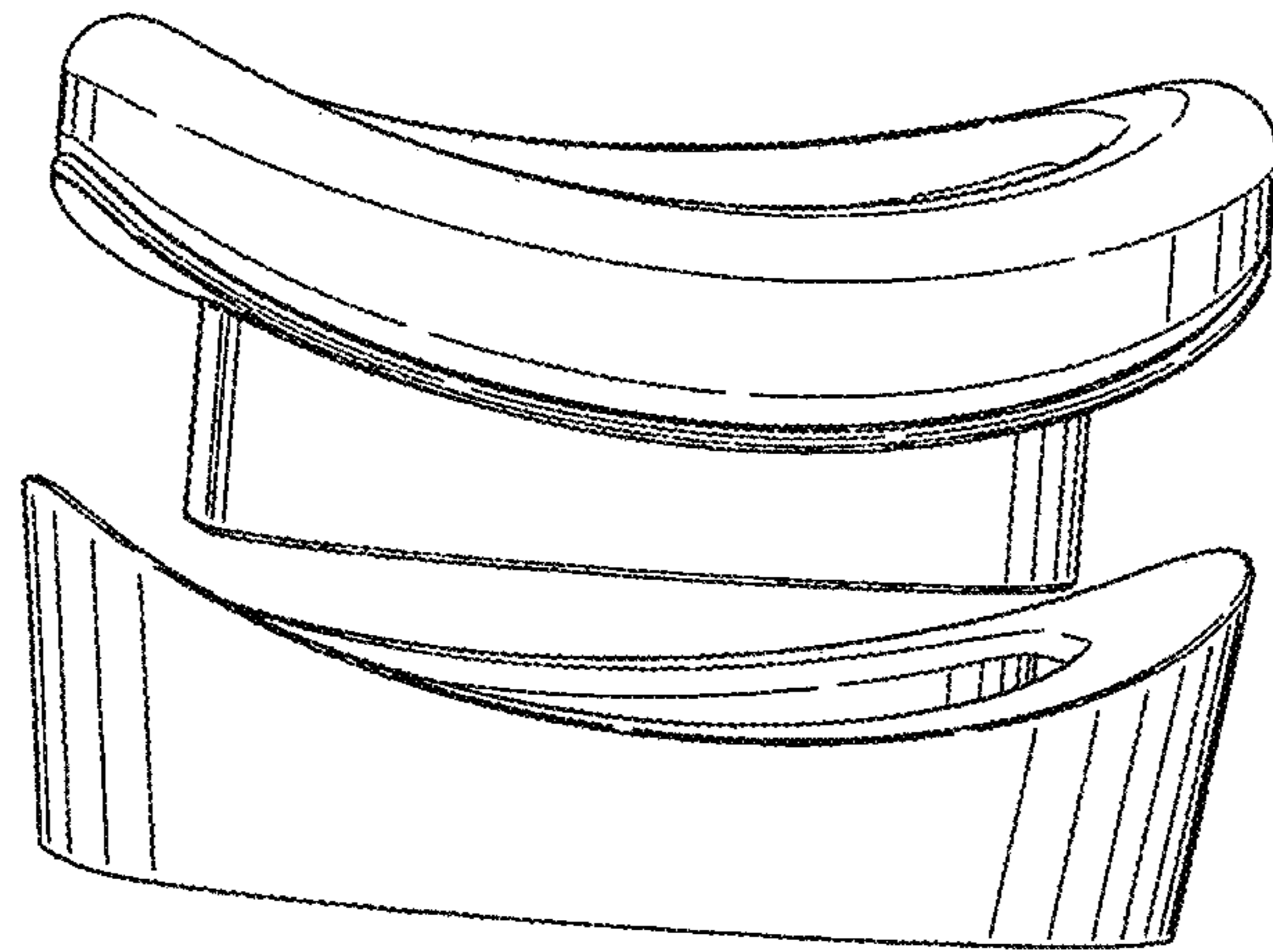


FIG. 1

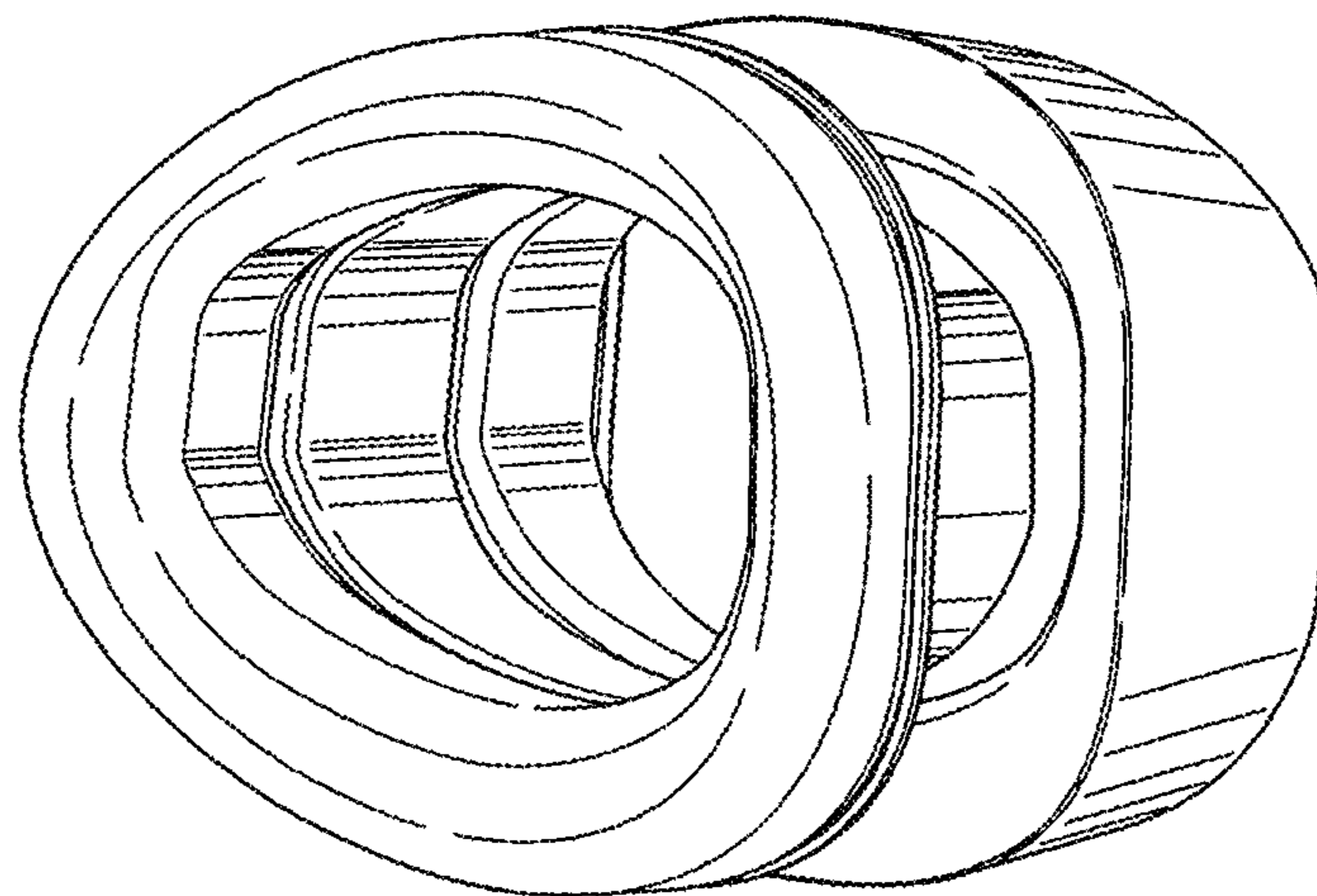


FIG. 2

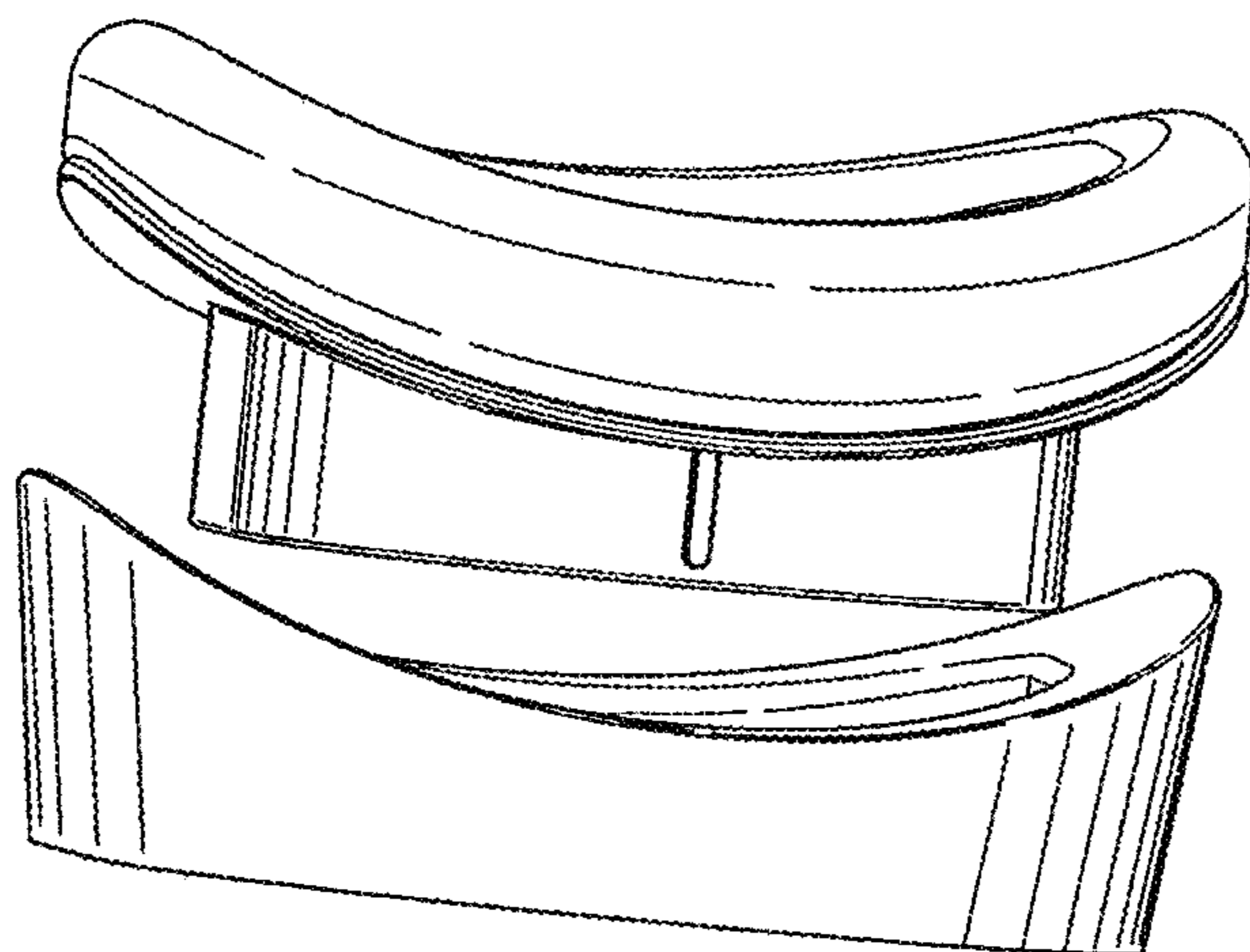


FIG. 3

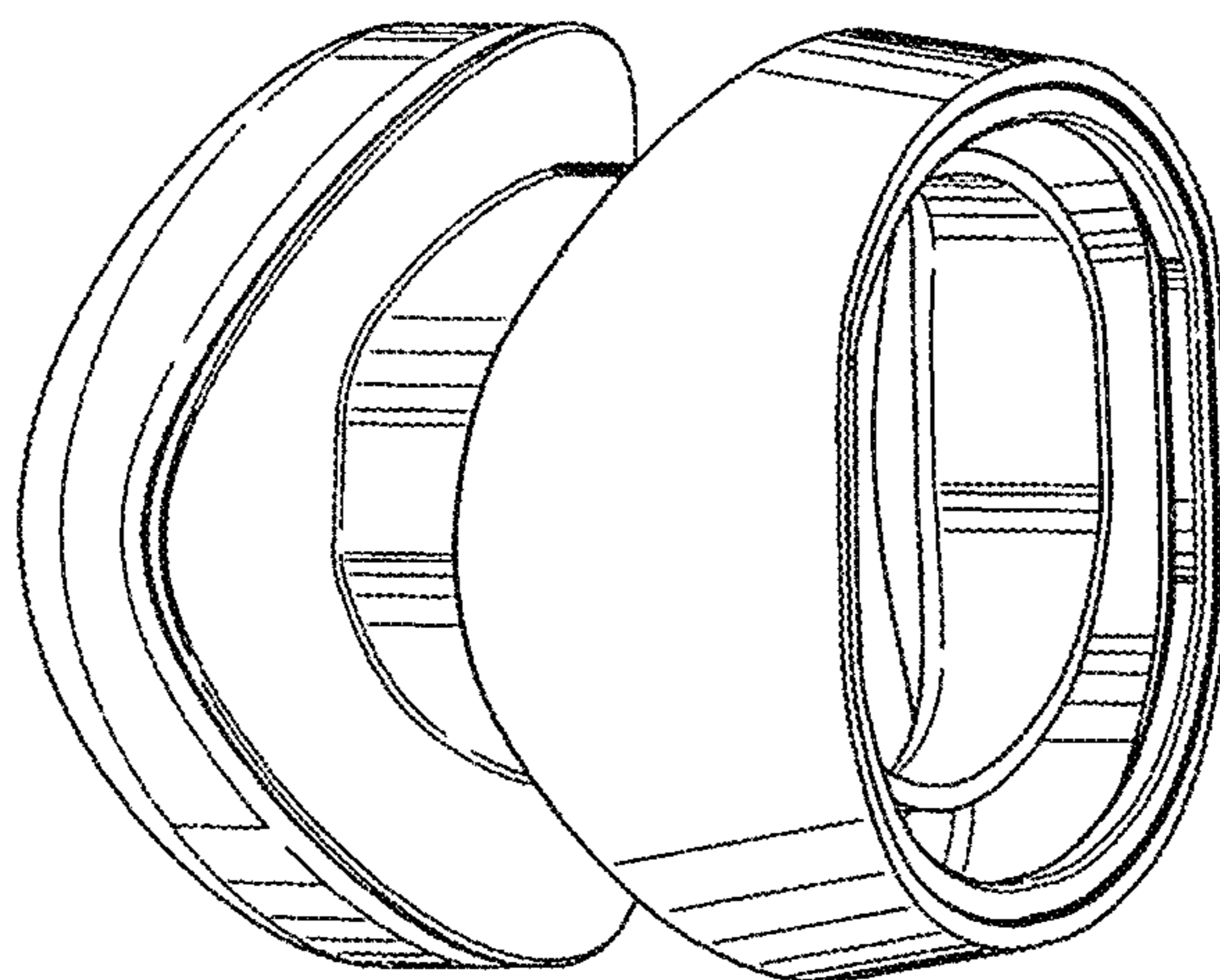


FIG. 4

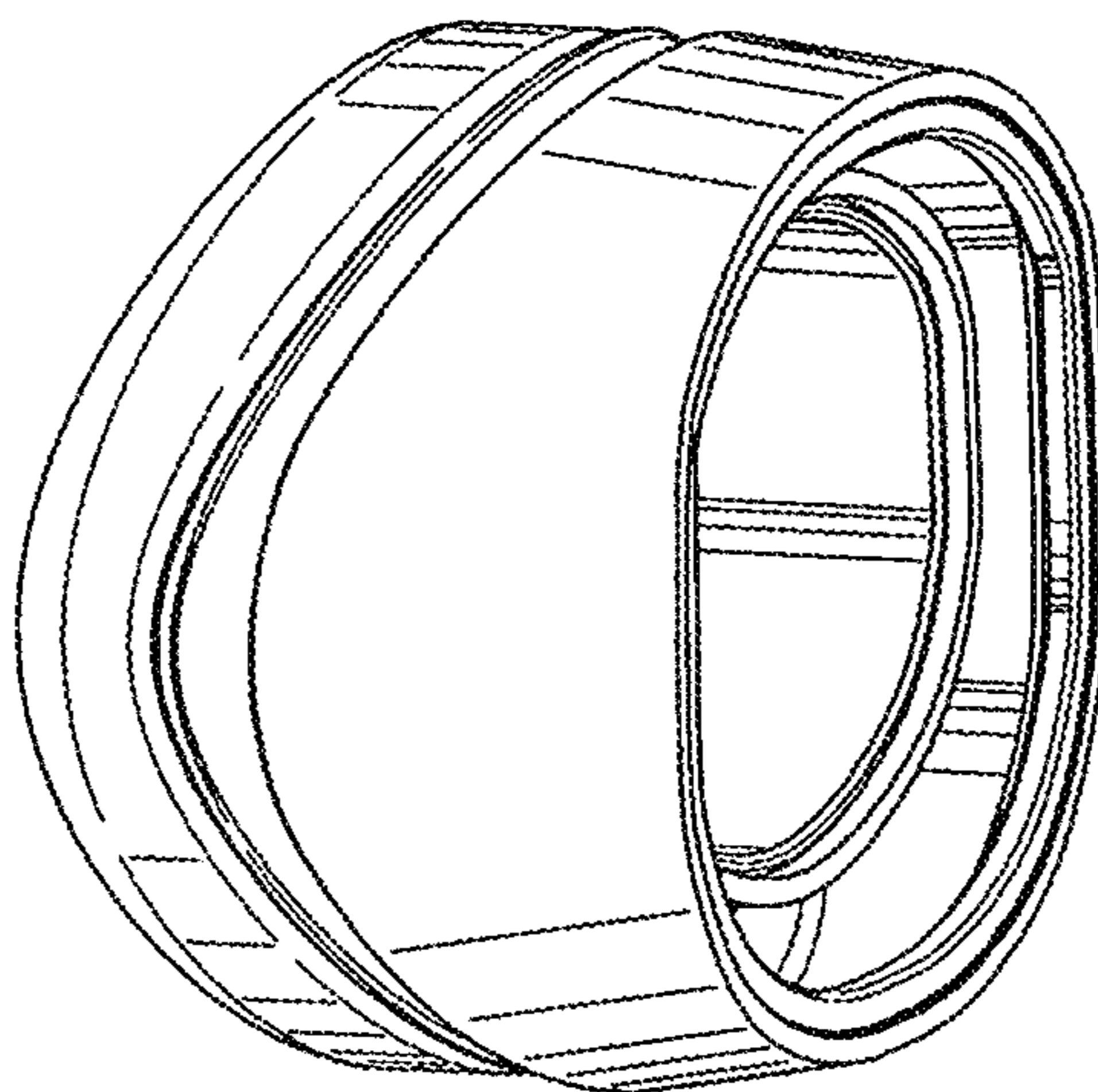


FIG. 5

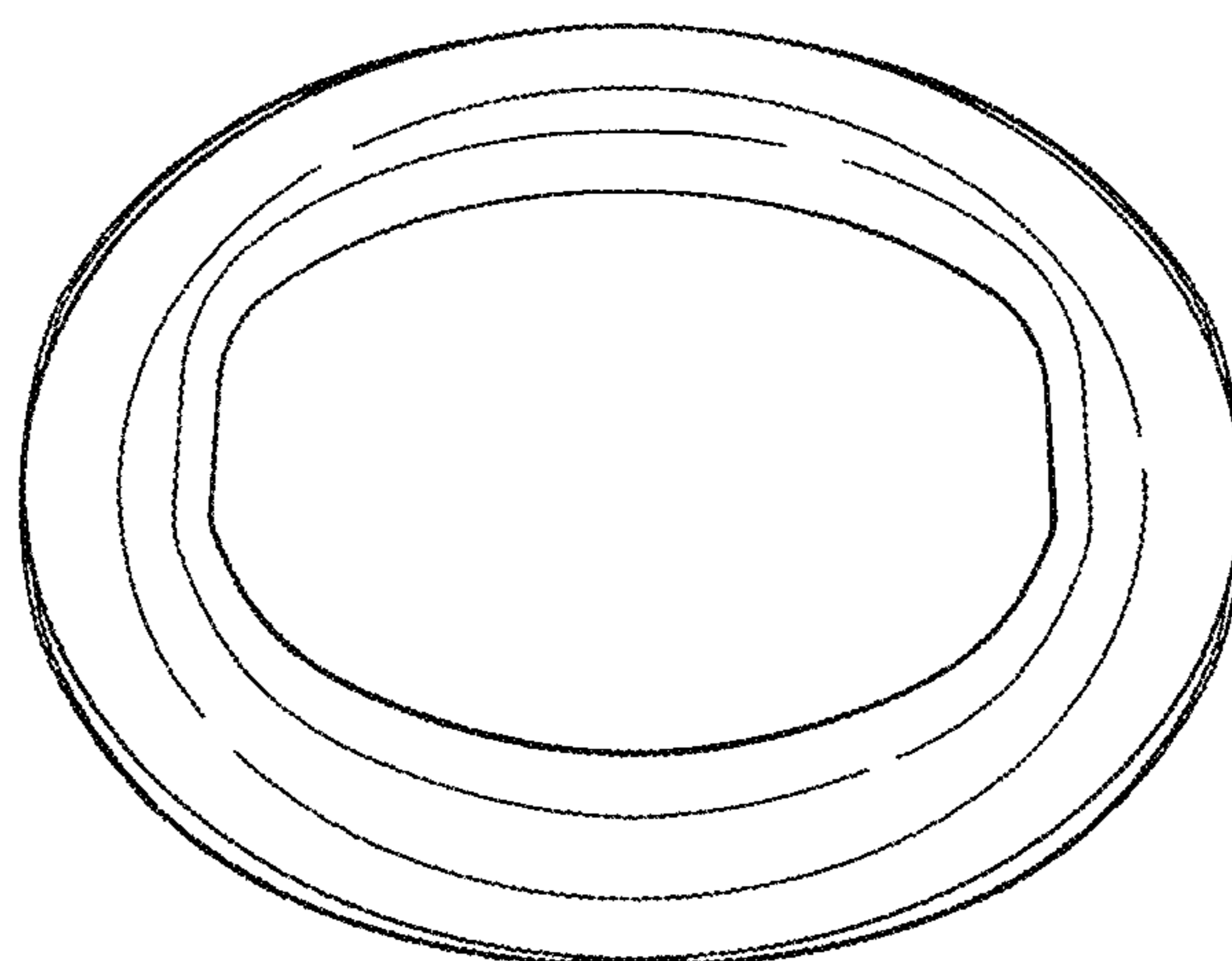


FIG. 6

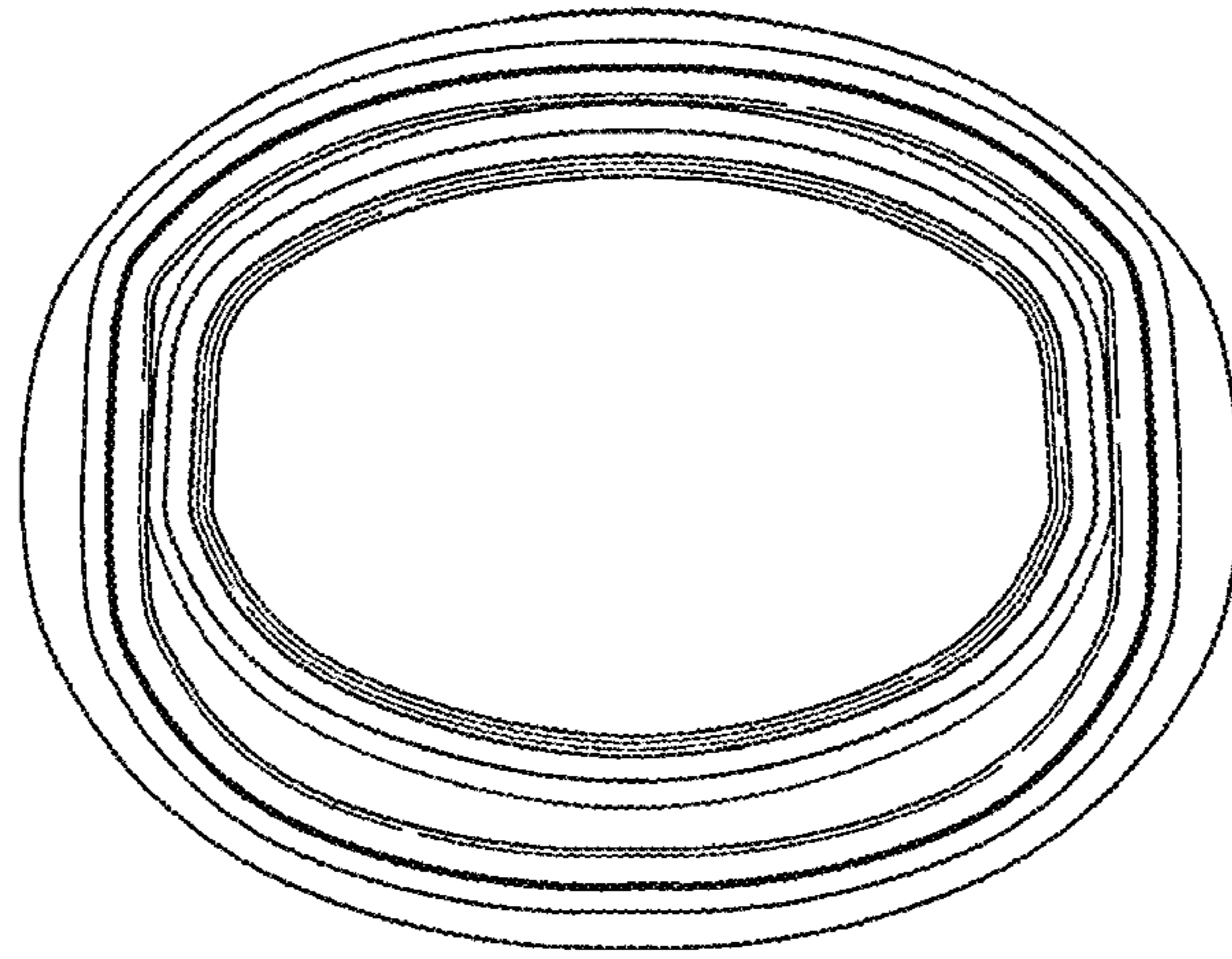


FIG. 7

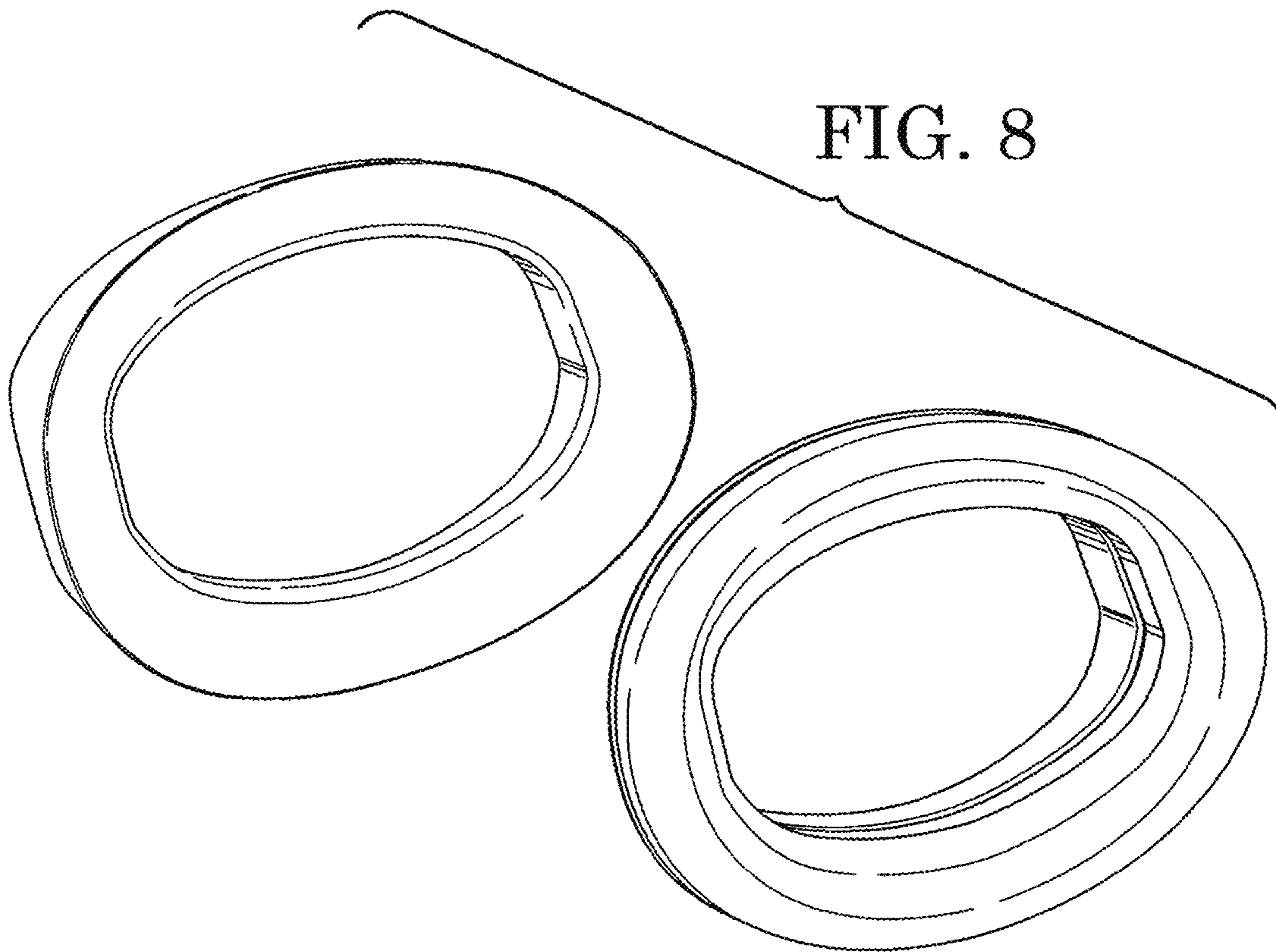


FIG. 8

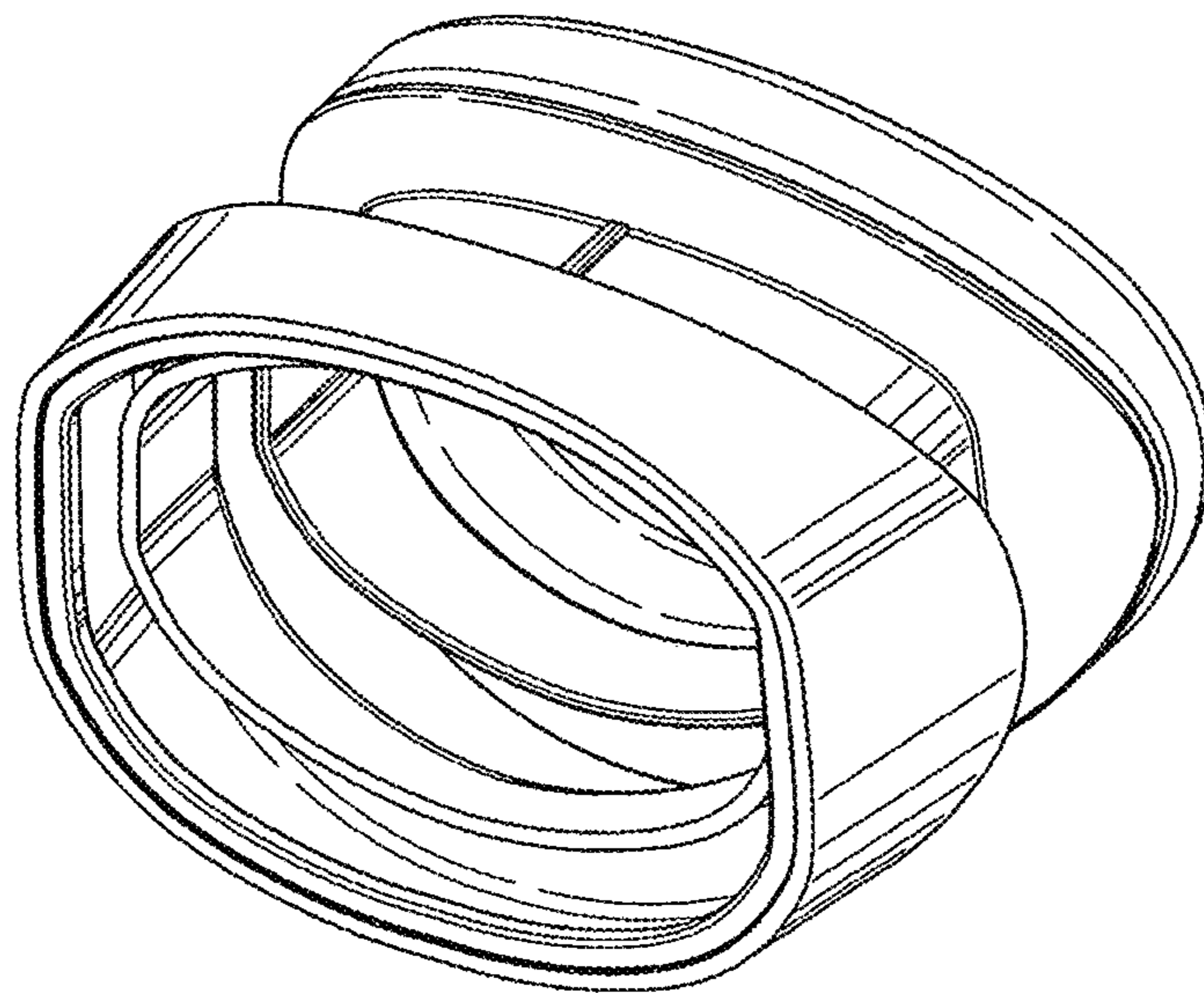


FIG. 9