



US00D868717S

(12) **United States Design Patent** (10) **Patent No.:** **US D868,717 S**
Hodgson et al. (45) **Date of Patent:** **** Dec. 3, 2019**

(54) **CONFIGURATION OF ELECTRONIC DISPLAY SCREENS FOR GAMING MACHINES**

(71) Applicant: **Incredible Technologies, Inc.**, Vernon Hills, IL (US)

(72) Inventors: **Lawrence Hodgson**, Las Vegas, NV (US); **Daniel Schrementi**, Chicago, IL (US); **Omar Torres**, Barrington, IL (US); **Bryan McVey**, Chicago, IL (US); **Steve Jaskowiak**, Sleepy Hollow, IL (US); **Garrett Marshall**, Caledonia, IL (US)

(73) Assignee: **INCREDIBLE TECHNOLOGIES, INC.**, Vernon Hills, IL (US)

(**) Term: **15 Years**

(21) Appl. No.: **29/665,877**

(22) Filed: **Oct. 8, 2018**

(51) **LOC (12) Cl.** **14-03**

(52) **U.S. Cl.**
USPC **D14/127; D21/369**

(58) **Field of Classification Search**
USPC ... D14/126, 127, 129, 140, 140.2, 142, 144, D14/145, 149, 151, 356-358, 362, 365, D14/383-388, 467, 502, 371; D24/160, D24/185, 186; D16/202, 203, 208, 241, D16/242; D21/300, 332, 370, 369, 329, D21/515, 385, 333
CPC H04N 7/14; H04N 7/141; H04N 7/142; H04N 7/144; H04N 7/147; H04N 7/15; H04N 7/152; H04N 5/225; H04N 5/2251; H04N 5/2252; H04N 5/232

See application file for complete search history.

(56) **References Cited**

U.S. PATENT DOCUMENTS

D632,661	S	*	2/2011	Micallef	D14/127
D641,047	S	*	7/2011	Tahara	D21/325
8,641,534	B2	*	2/2014	Hashimoto	G07F 17/3216 312/198
D705,872	S	*	5/2014	Ortiz	D21/370
9,165,433	B2	*	10/2015	Caputo	G07F 17/3265
D788,725	S	*	6/2017	Tompkin	D14/127
D813,965	S	*	3/2018	Sargent	D21/759

* cited by examiner

Primary Examiner — Randall H Gholson

(74) *Attorney, Agent, or Firm* — Husch Blackwell LLP; George S. Pavlik

(57) **CLAIM**

An ornamental design for a configuration of electronic display screens for gaming machines as shown and described, except as disclaimed herein.

DESCRIPTION

FIG. 1 is a perspective view of a configuration of electronic display screens for gaming machines.

FIG. 2 is a front elevational view thereof.

FIG. 3 is a rear elevational view thereof.

FIG. 4 is a left side elevational view thereof.

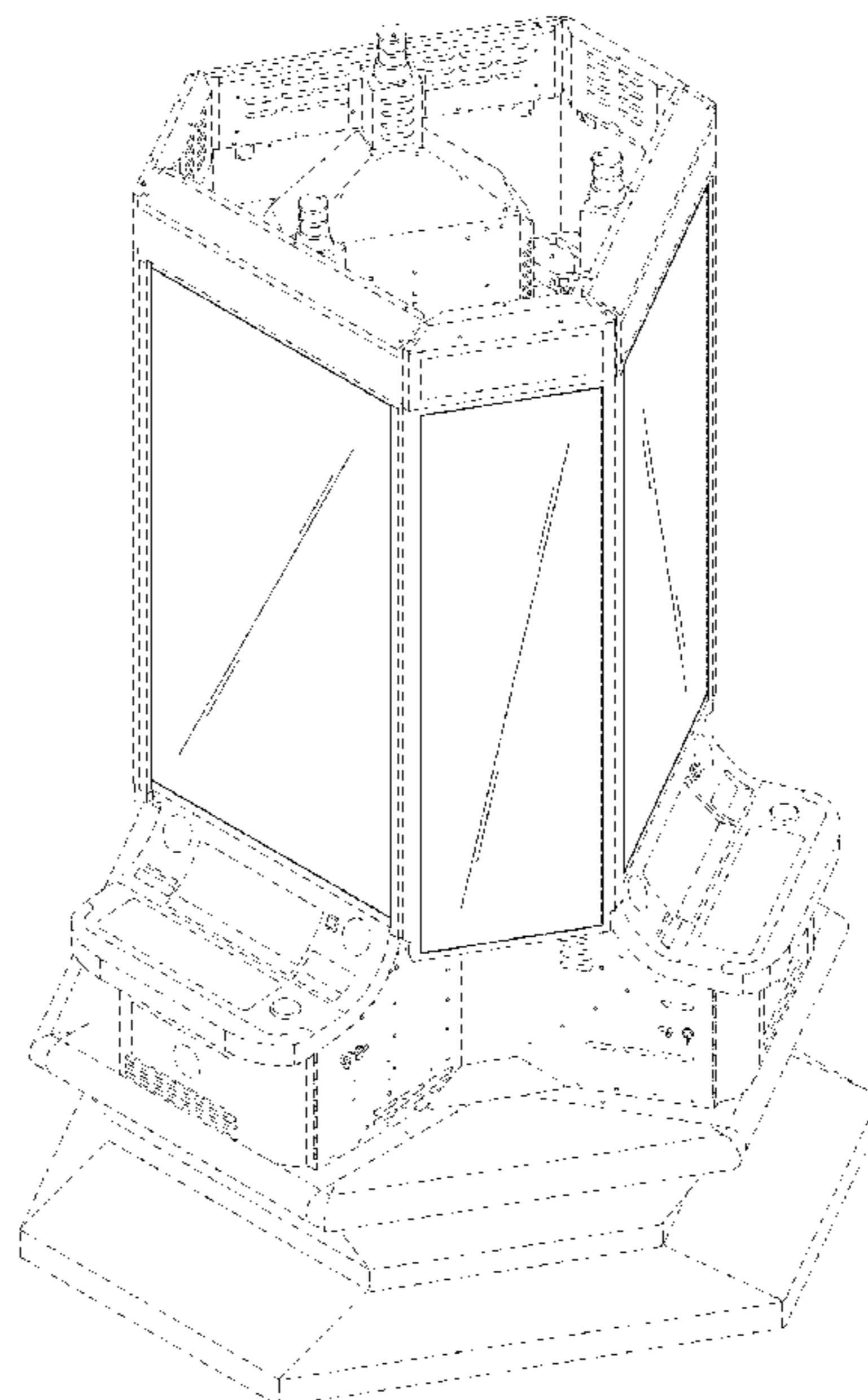
FIG. 5 is a right side elevation view thereof; and,

FIG. 6 is a top plan view thereof.

The bottom view of the configuration of electronic display screens for gaming machines which is illustrated in FIGS. 1-6 is hereby disclaimed and forms no part of the claimed design.

The broken lines in the drawings are hereby disclaimed and form no part of the claimed design.

1 Claim, 6 Drawing Sheets



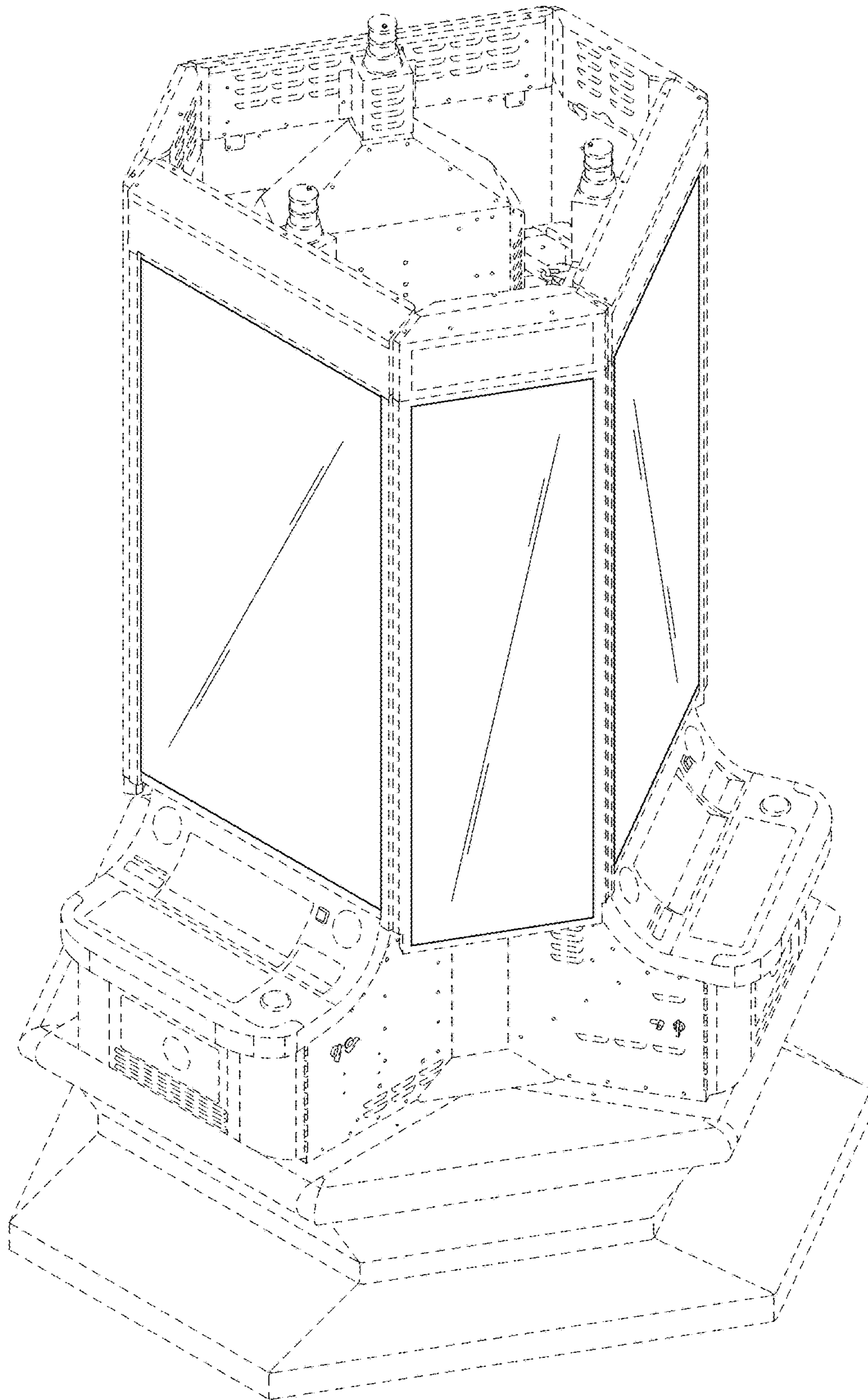


FIG. 1

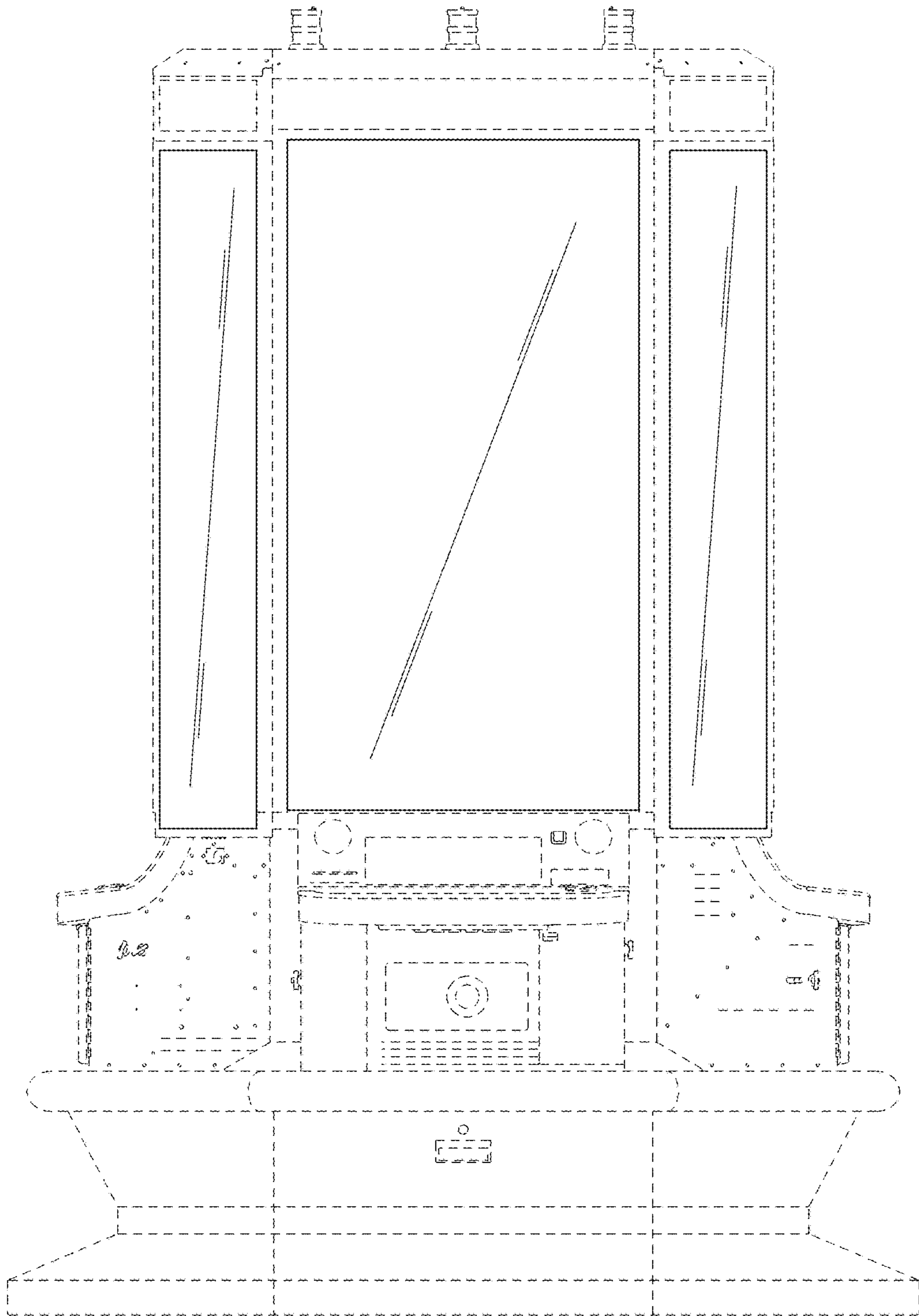


FIG. 2

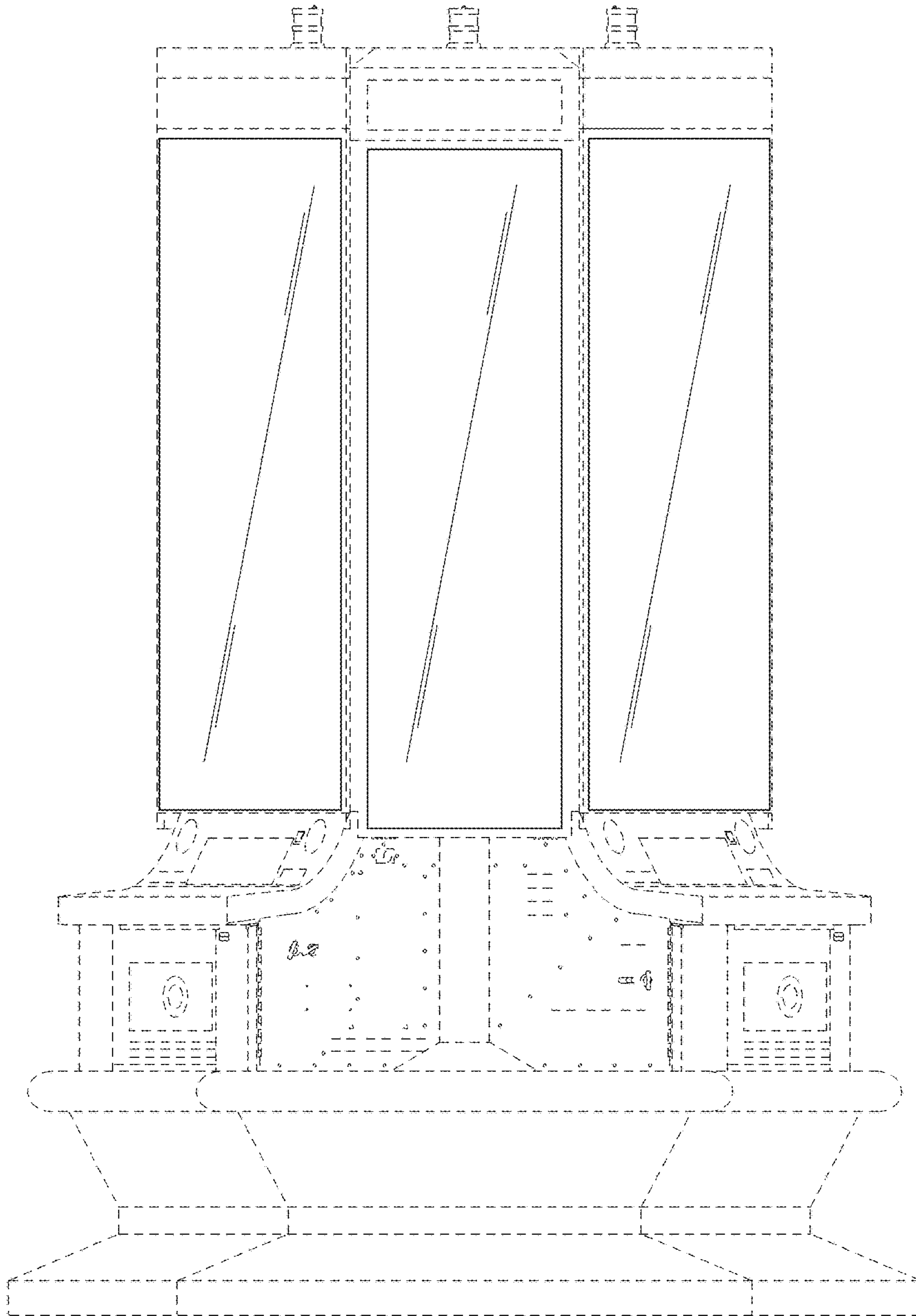


FIG. 3

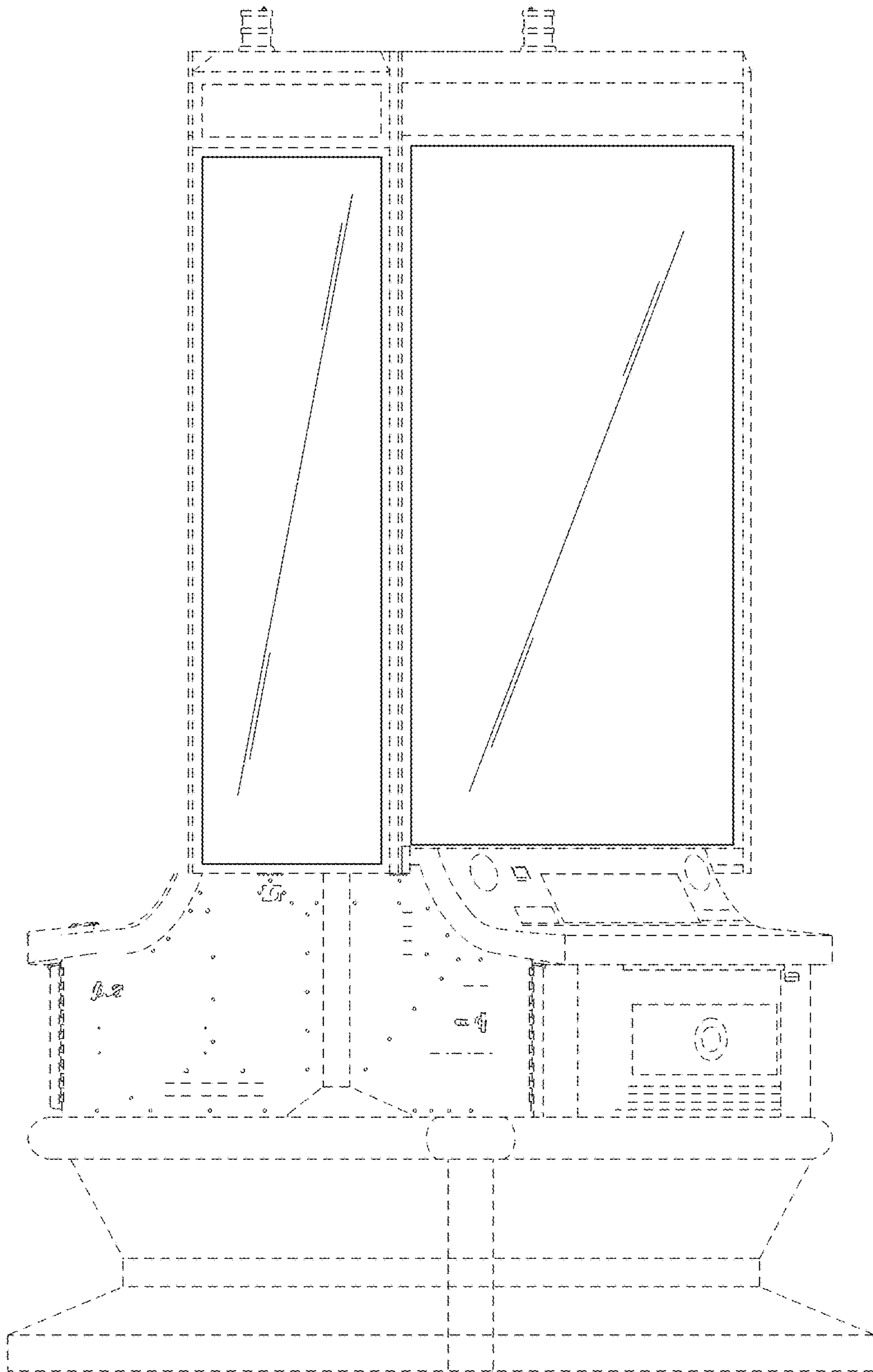


FIG. 4

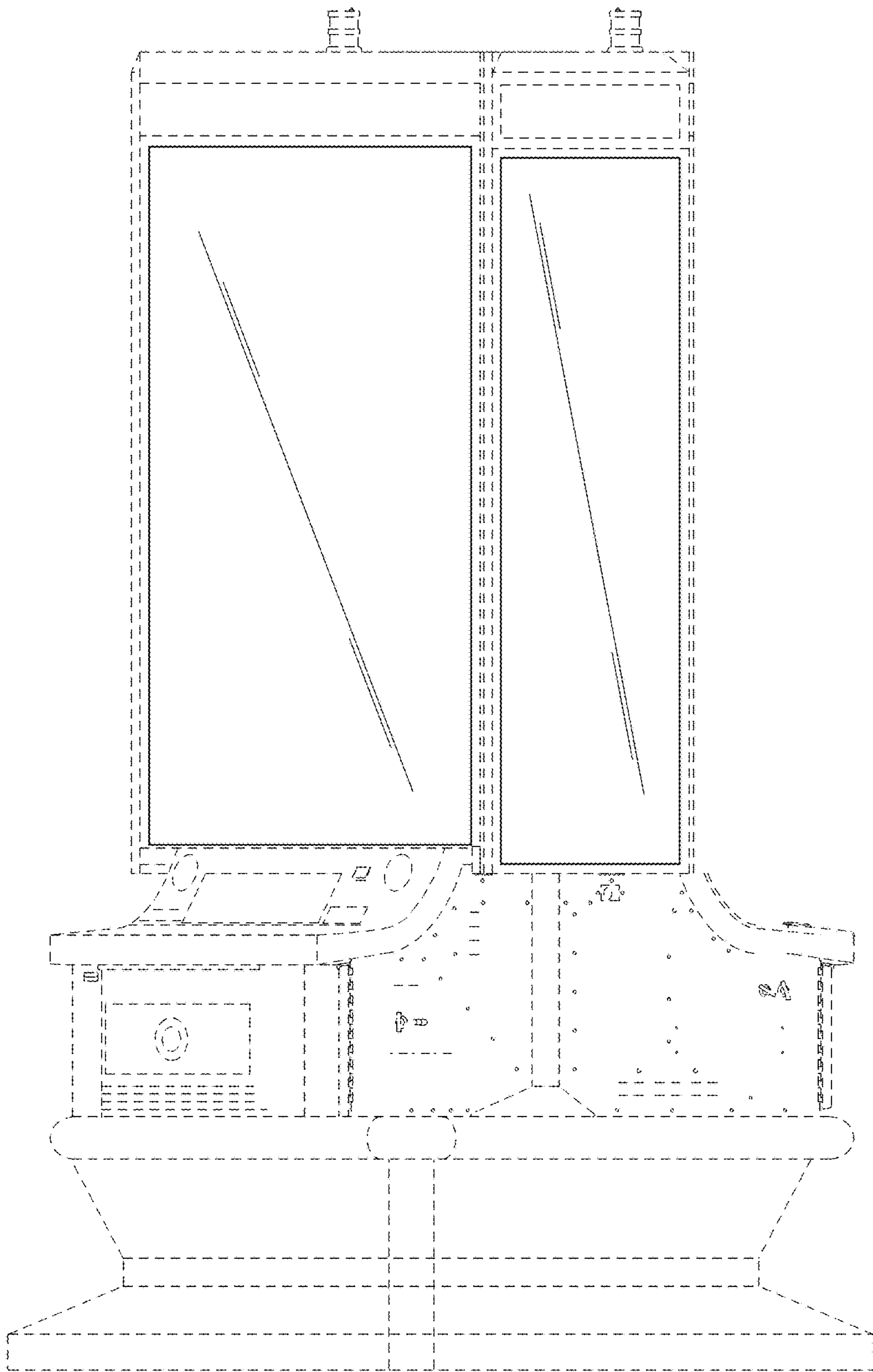


FIG. 5

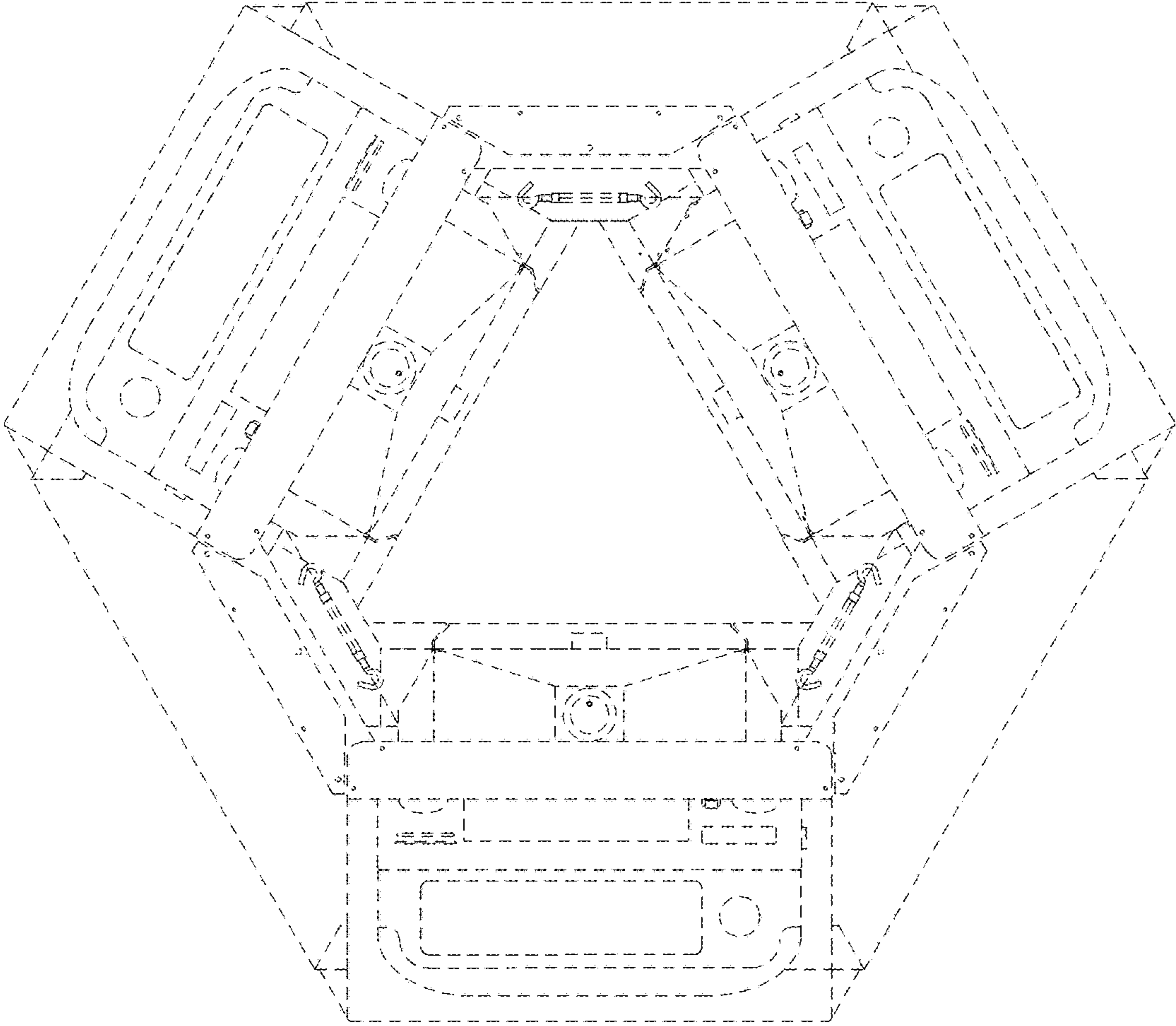


FIG. 6