

US00D868711S

(12) **United States Design Patent** (10) **Patent No.:** **US D868,711 S**
Sonneman et al. (45) **Date of Patent:** **** Dec. 3, 2019**

(54) **LIGHT ENGINE FOR A LIGHT FIXTURE**

(56) **References Cited**

(71) Applicant: **Contemporary Visions, LLC**,
Larchmont, NY (US)
(72) Inventors: **Robert A. Sonneman**, Mamaroneck,
NY (US); **Christian N. Garnett**, Mount
Kisco, NY (US)

U.S. PATENT DOCUMENTS

D644,616 S * 9/2011 Yu D13/179
D645,829 S * 9/2011 Yu D13/179
D755,740 S * 5/2016 Chen D13/179
D825,463 S * 8/2018 Krivonak D13/179

* cited by examiner

(73) Assignee: **Contemporary Visions, LLC**,
Larchmont, NY (US)

Primary Examiner — Brian N. Vinson
(74) *Attorney, Agent, or Firm* — Gottlieb, Rackman &
Reisman, P.C.

(**) Term: **15 Years**

(57) **CLAIM**

The ornamental design for a light engine for a light fixture,
as shown and described.

(21) Appl. No.: **29/672,387**

DESCRIPTION

(22) Filed: **Dec. 5, 2018**

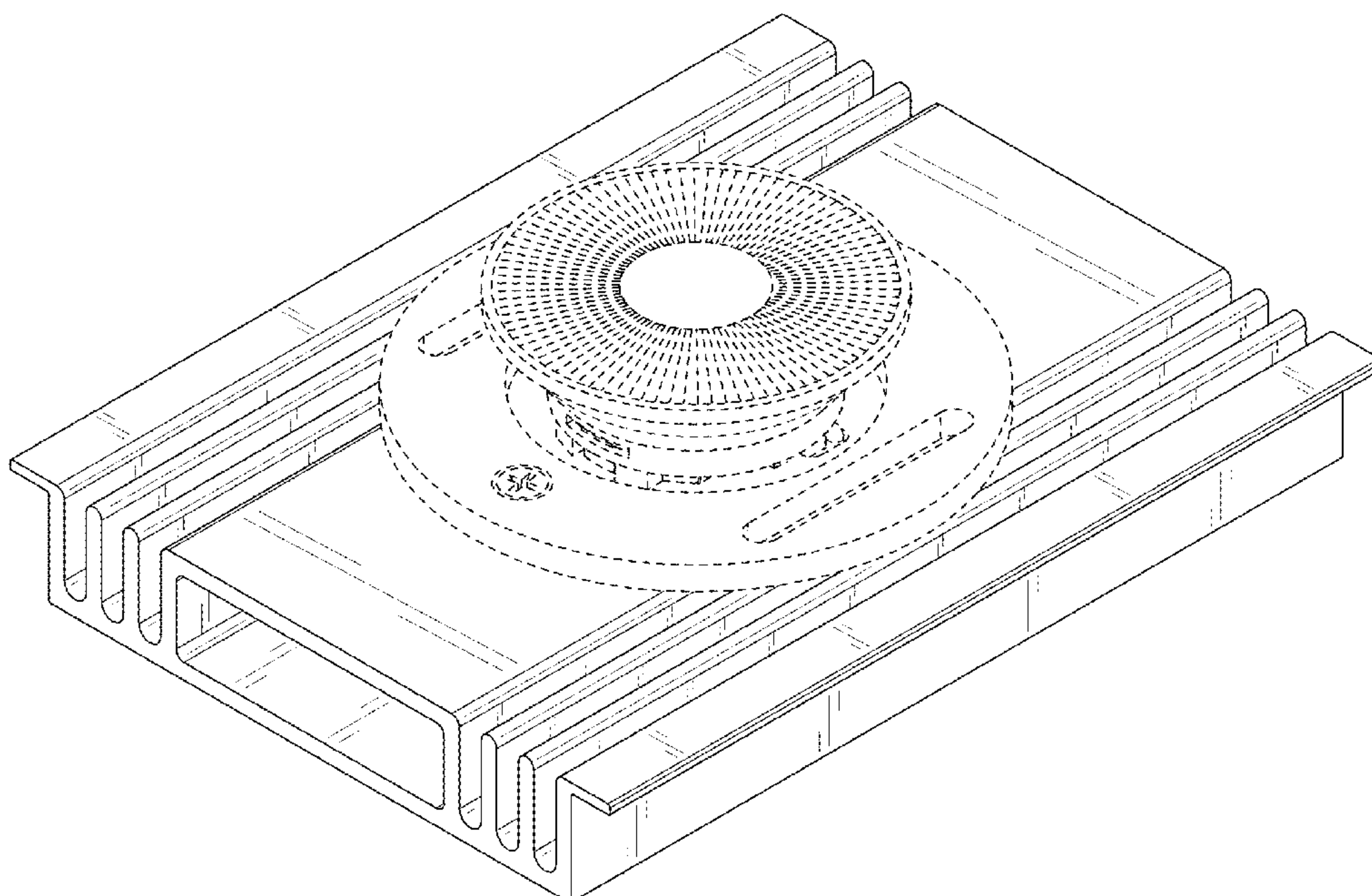
(51) **LOC (12) Cl.** **13-01**

(52) **U.S. Cl.**
USPC **D13/179**

(58) **Field of Classification Search**
USPC D13/179, 122, 182; D26/113
CPC .. H05K 7/20; H05K 7/20172; H05K 7/20127;
H05K 7/20336; H05K 7/202; H05K
7/20272; H01L 23/34; H01L 23/3672;
H01L 23/40; H01L 23/4006; H01L
23/4093; F28D 15/0208; F28D 15/04
See application file for complete search history.

FIG. 1 is a top perspective view of a light engine for a light
fixture showing our new design;
FIG. 2 is a bottom perspective view thereof;
FIG. 3 is a front elevational view thereof;
FIG. 4 is a rear elevational view thereof;
FIG. 5 is a right side elevational view thereof;
FIG. 6 is a left side elevational view thereof;
FIG. 7 is a top plan view thereof; and,
FIG. 8 is a bottom plan view thereof.
The broken lines shown in the drawings are included for the
purpose of illustrating elements of the light engine for a light
fixture that form no part of the claimed design.

1 Claim, 6 Drawing Sheets



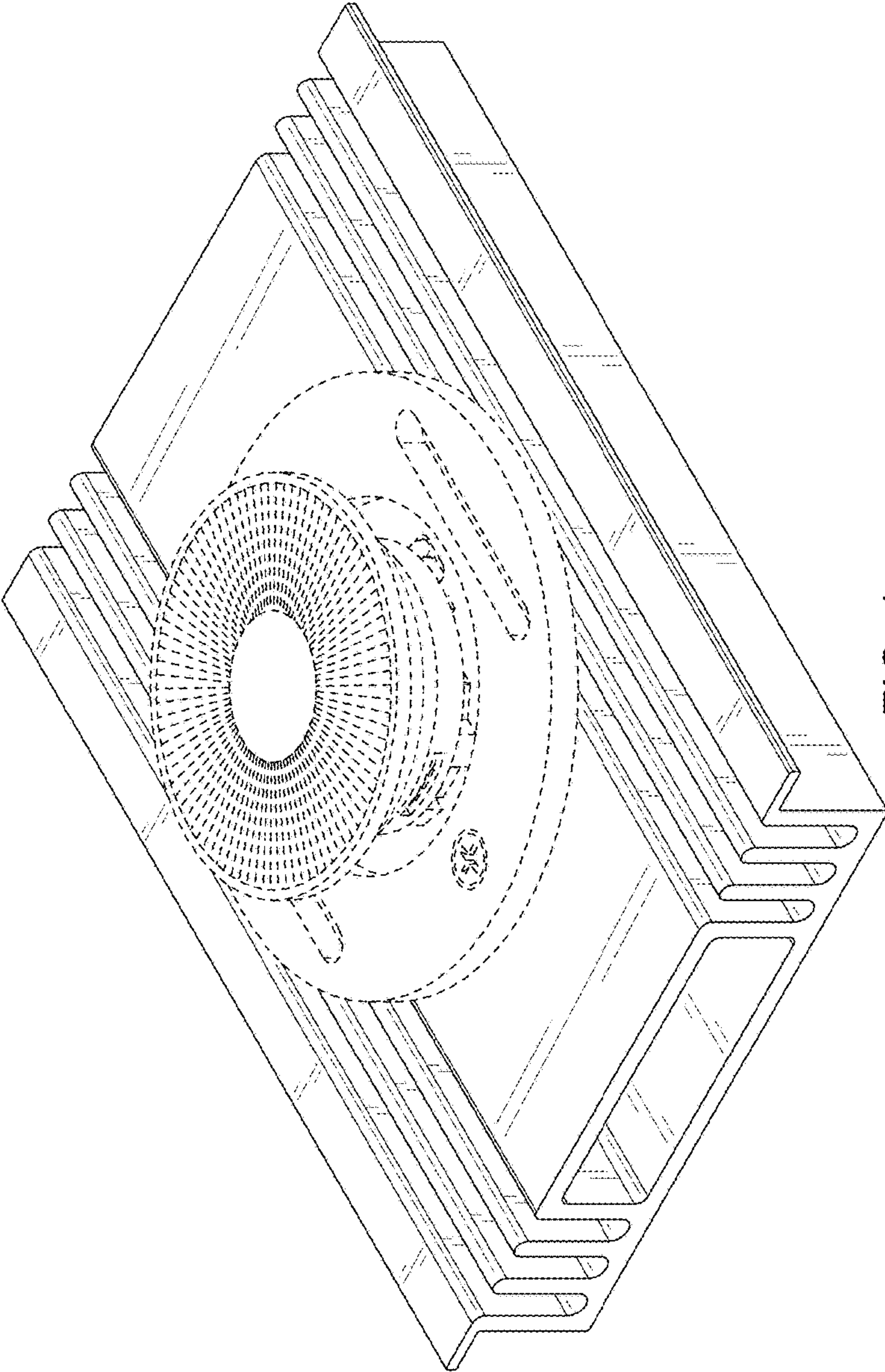


FIG. 1

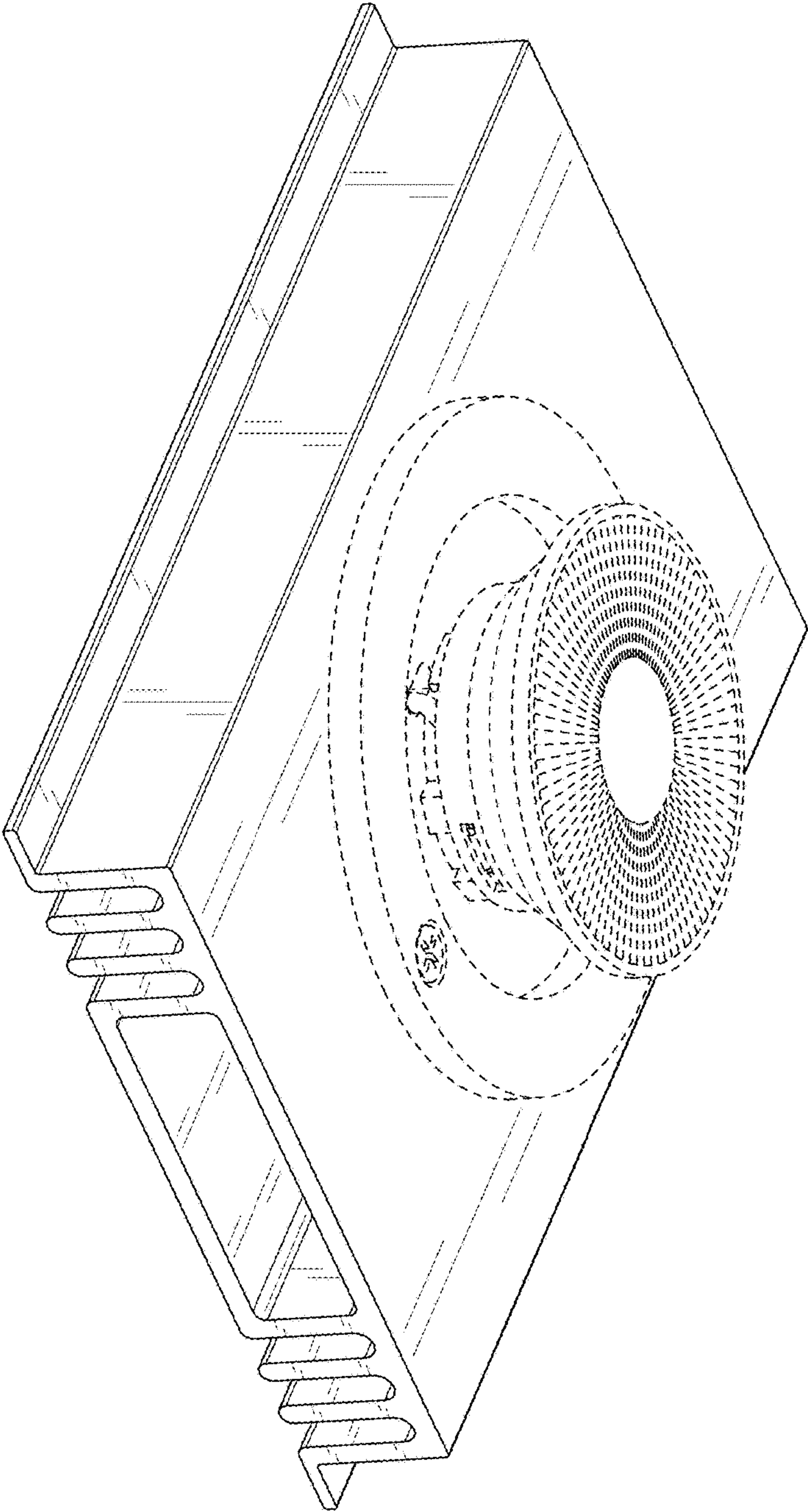


FIG. 2

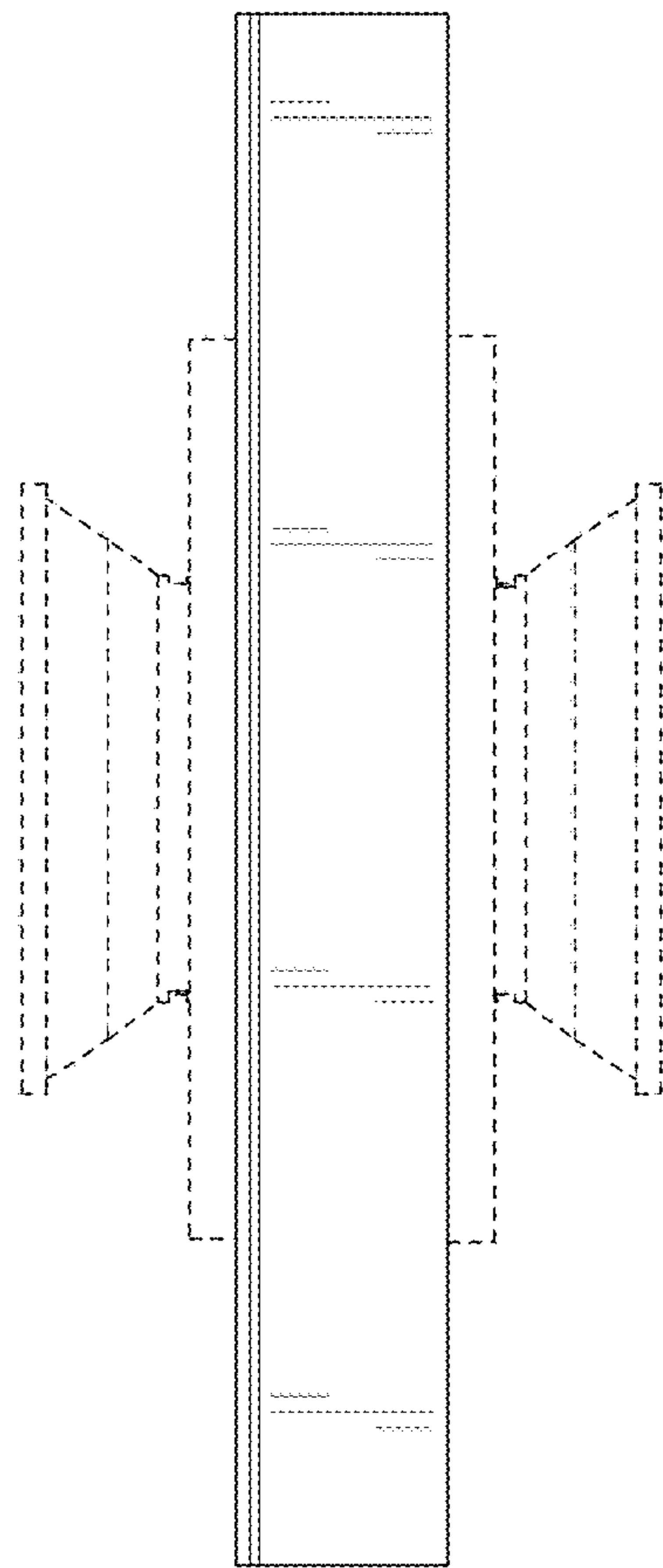


FIG. 3

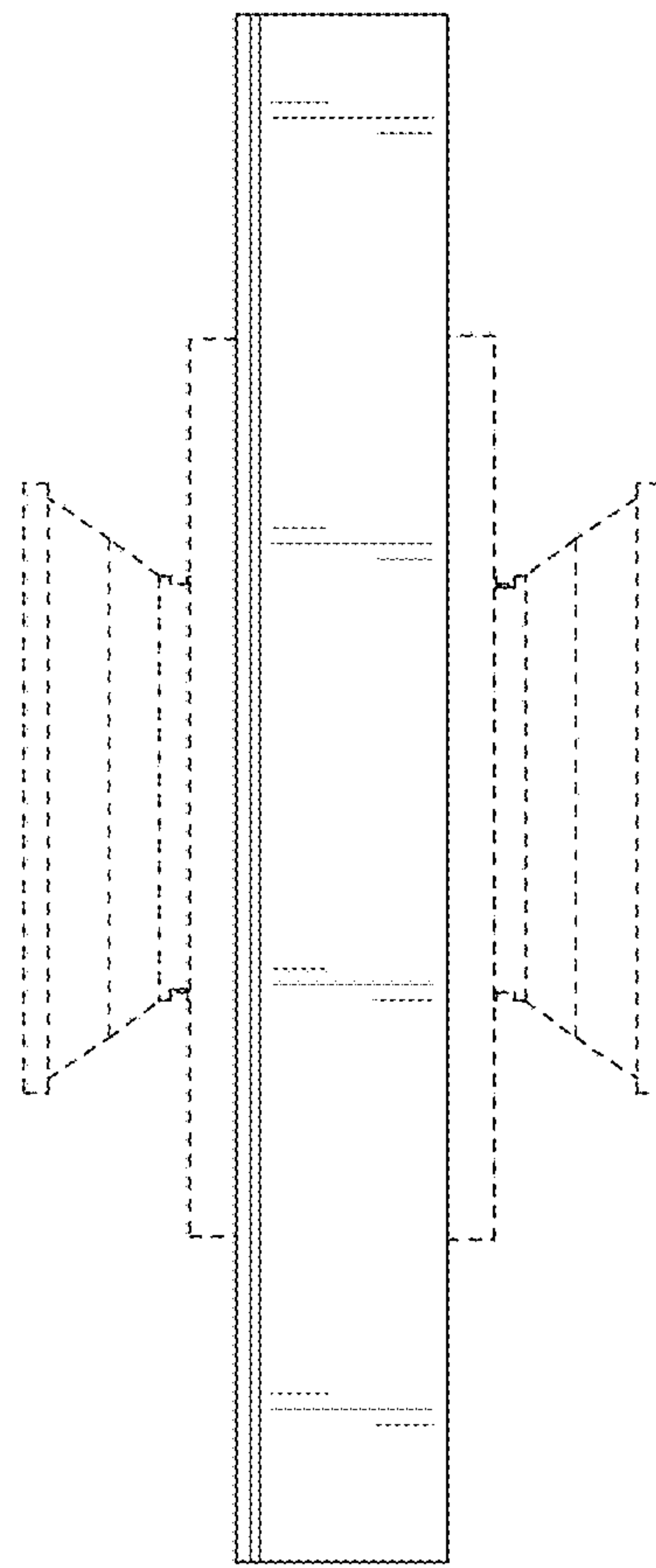


FIG. 4

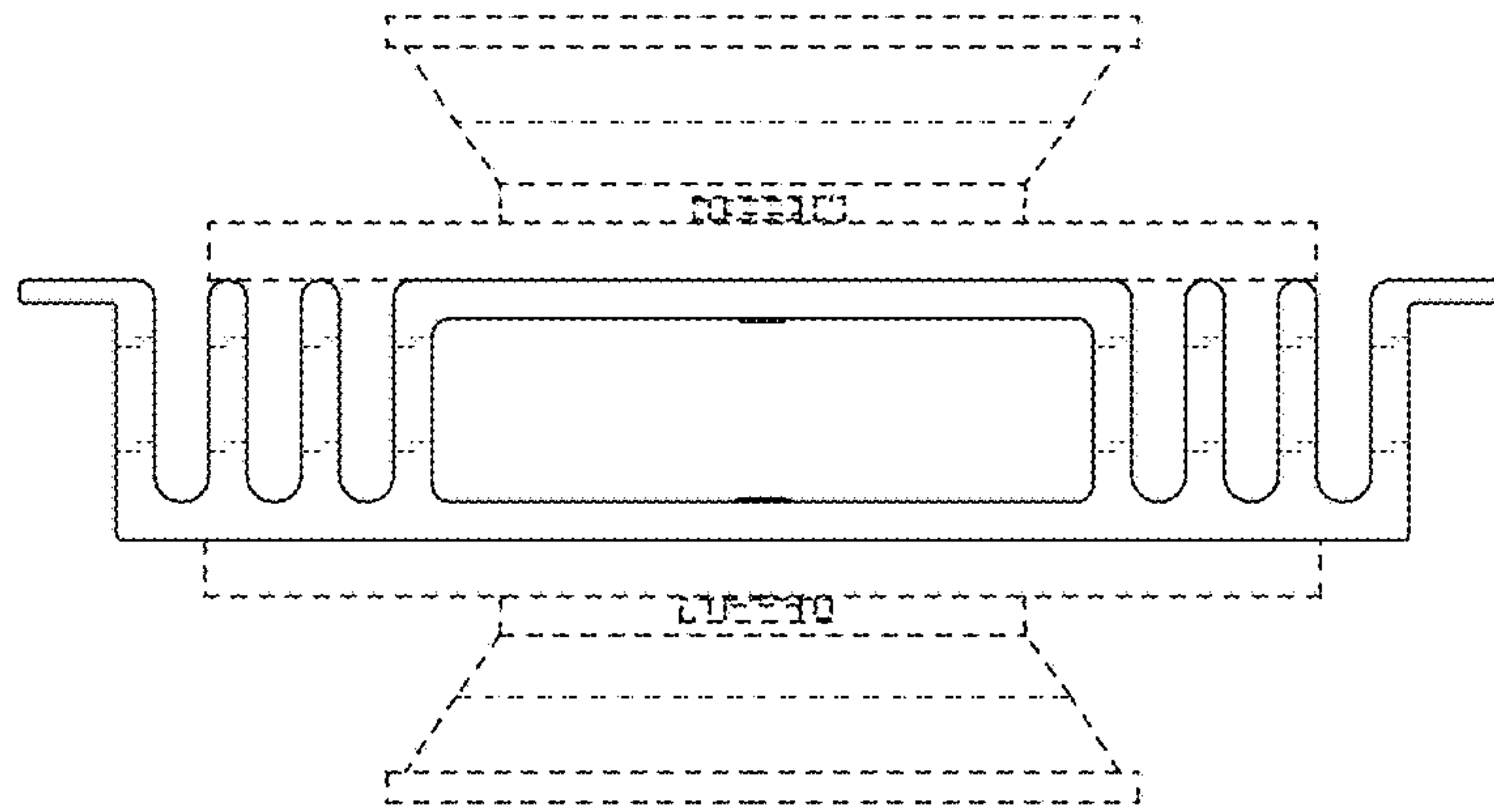


FIG. 5

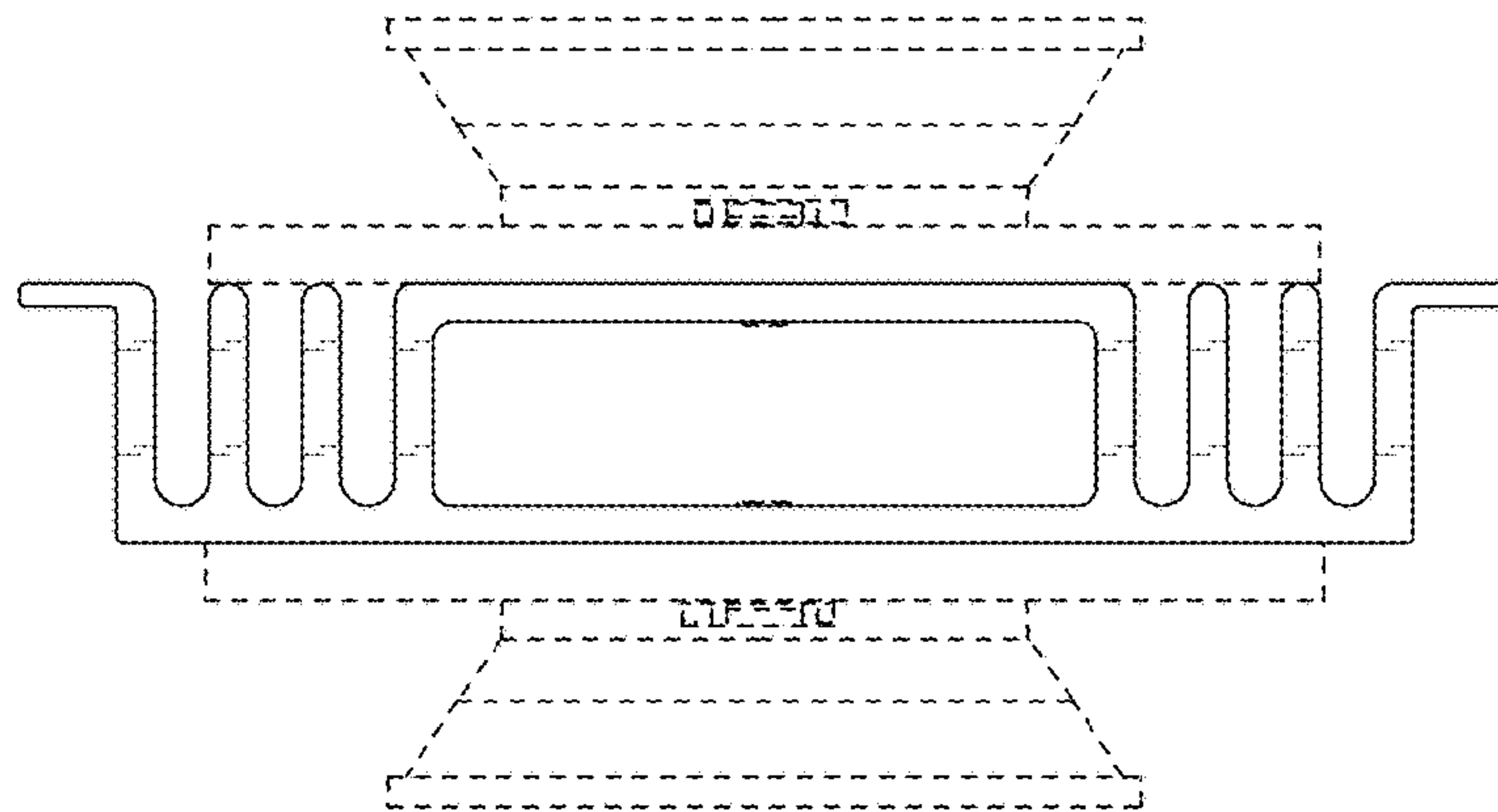


FIG. 6

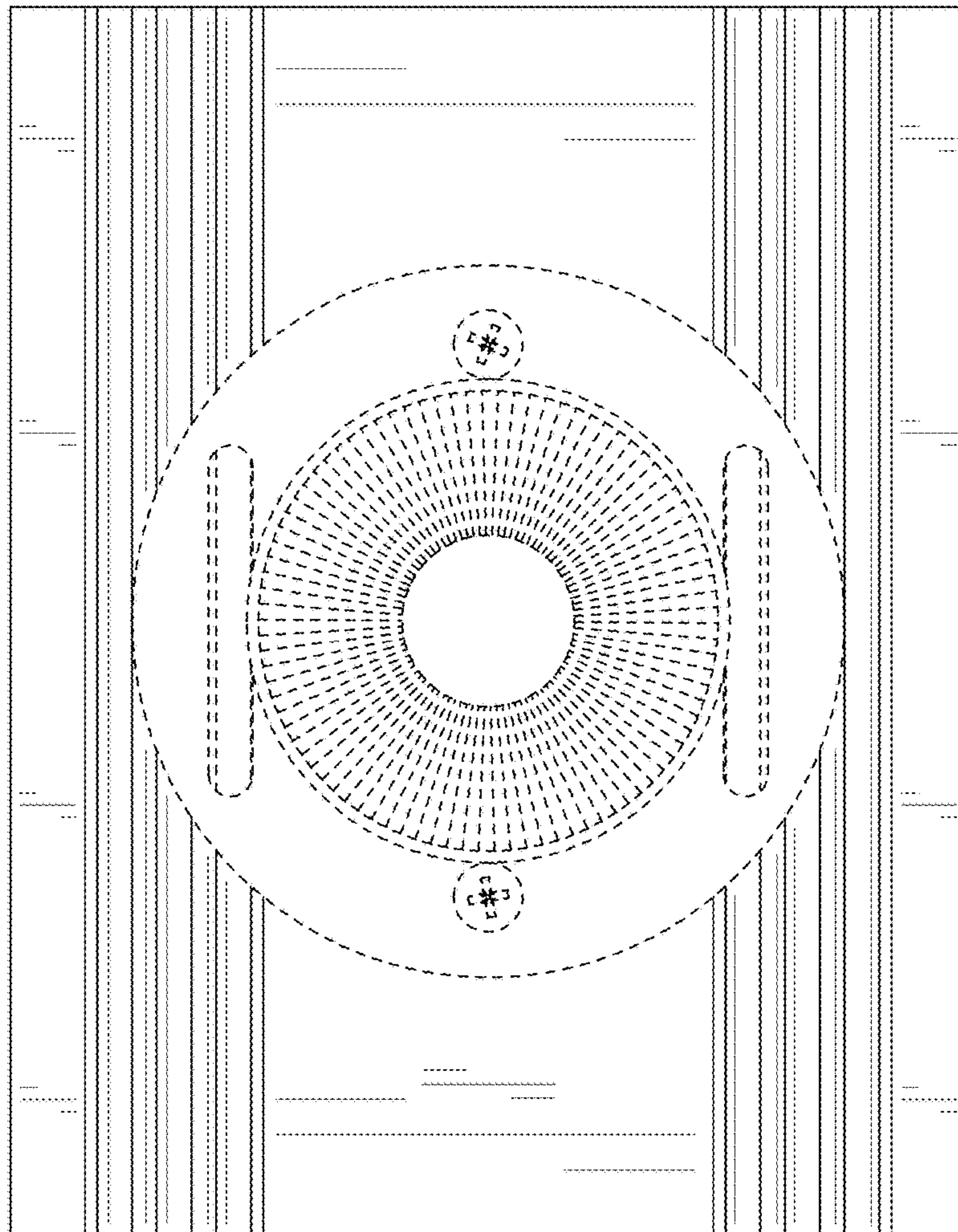


FIG. 7

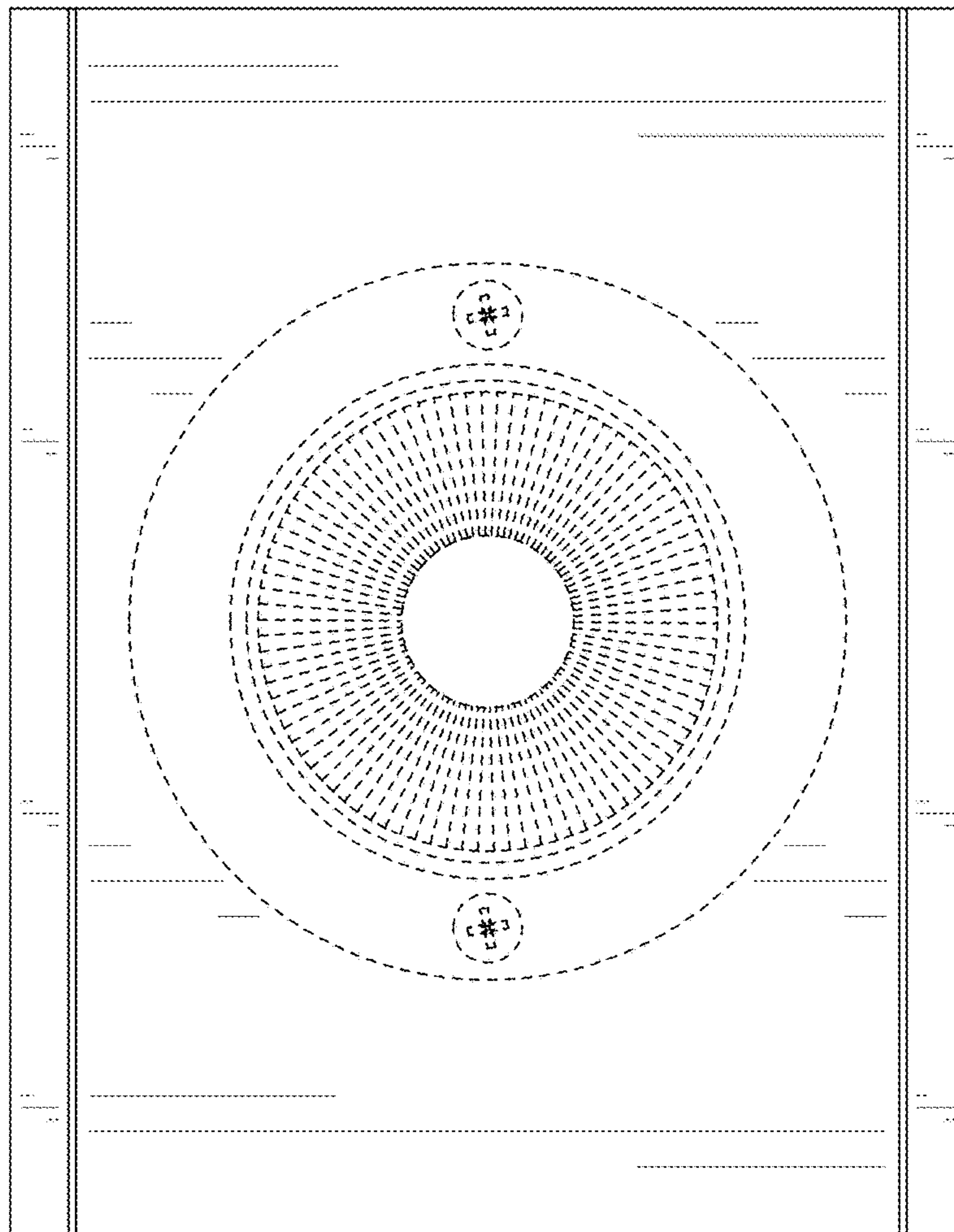


FIG. 8