



US00D868710S

(12) **United States Design Patent**
Goos et al.

(10) **Patent No.:** **US D868,710 S**
(45) **Date of Patent:** **** Dec. 3, 2019**

(54) **REMOTE CONTROL**

- (71) Applicant: **NBB Holding AG**, Ölbronn-Dürrn (DE)
- (72) Inventors: **Jürgen Goos**, Speyer (DE); **Bettina Baacke**, Bretten (DE)
- (73) Assignee: **NBB Holding AG**, Oelbronn-Duerrn (DE)
- (**) Term: **15 Years**

(21) Appl. No.: **29/660,386**

(22) Filed: **Aug. 21, 2018**

(30) **Foreign Application Priority Data**

Feb. 22, 2018 (DE) 40 2018 100 201

(51) **LOC (12) Cl.** **13-03**

(52) **U.S. Cl.**
USPC **D13/168**

(58) **Field of Classification Search**

USPC D13/164, 168; D14/218, 401
CPC H03J 1/0025; H01H 9/0235; H04B 1/202;
G08C 17/00; G08C 17/02; G08C 19/00;
G08C 19/28; G08C 23/02; G08C 23/04;
G05B 15/02

See application file for complete search history.

(56) **References Cited**

U.S. PATENT DOCUMENTS

D577,724 S *	9/2008	Henne	D14/401
8,050,016 B2 *	11/2011	Haug	B66C 13/40
				361/679.01
9,776,839 B2 *	10/2017	Persico	G08C 17/02
D808,909 S *	1/2018	Findik	D13/168
9,884,750 B2 *	2/2018	Maffeis	B66C 23/701
9,944,505 B2 *	4/2018	Haug	B66C 13/40
2010/0110620 A1 *	5/2010	Haug	B66C 13/40
				361/679.01
2017/0210603 A1 *	7/2017	Maffeis	B66C 23/701

OTHER PUBLICATIONS

Advanced Radiotech Corporation Industrial Radio Remote Control; prior to Aug. 21, 2017; 1 pg.; https://www.google.com/search?q=industrial+remote+control&hl=en&biw=1536&bih=813&source=Int&tbs=cdr%3A1%2Ccd_min%3A%2Ccd_max%3A8%2F21%2F2017&tbm=isch#imgrc=vjtRJTnTCa3eYM:&spf=1564002657920.*
Industrial-remote-control-stock; prior to Aug. 21, 2017; 1 pg.; https://www.google.com/search?q=industrial+remote+control&hl=en&biw=1536&bih=813&source=Int&tbs=cdr%3A1%2Ccd_min%3A%2Ccd_max%3A8%2F21%2F2017&tbm=isch#imgrc=QhYbcTqxhL_maM:&spf=1564002657939.*

(Continued)

Primary Examiner — Selina Sikder

(74) *Attorney, Agent, or Firm* — Lipsitz & McAllister, LLC

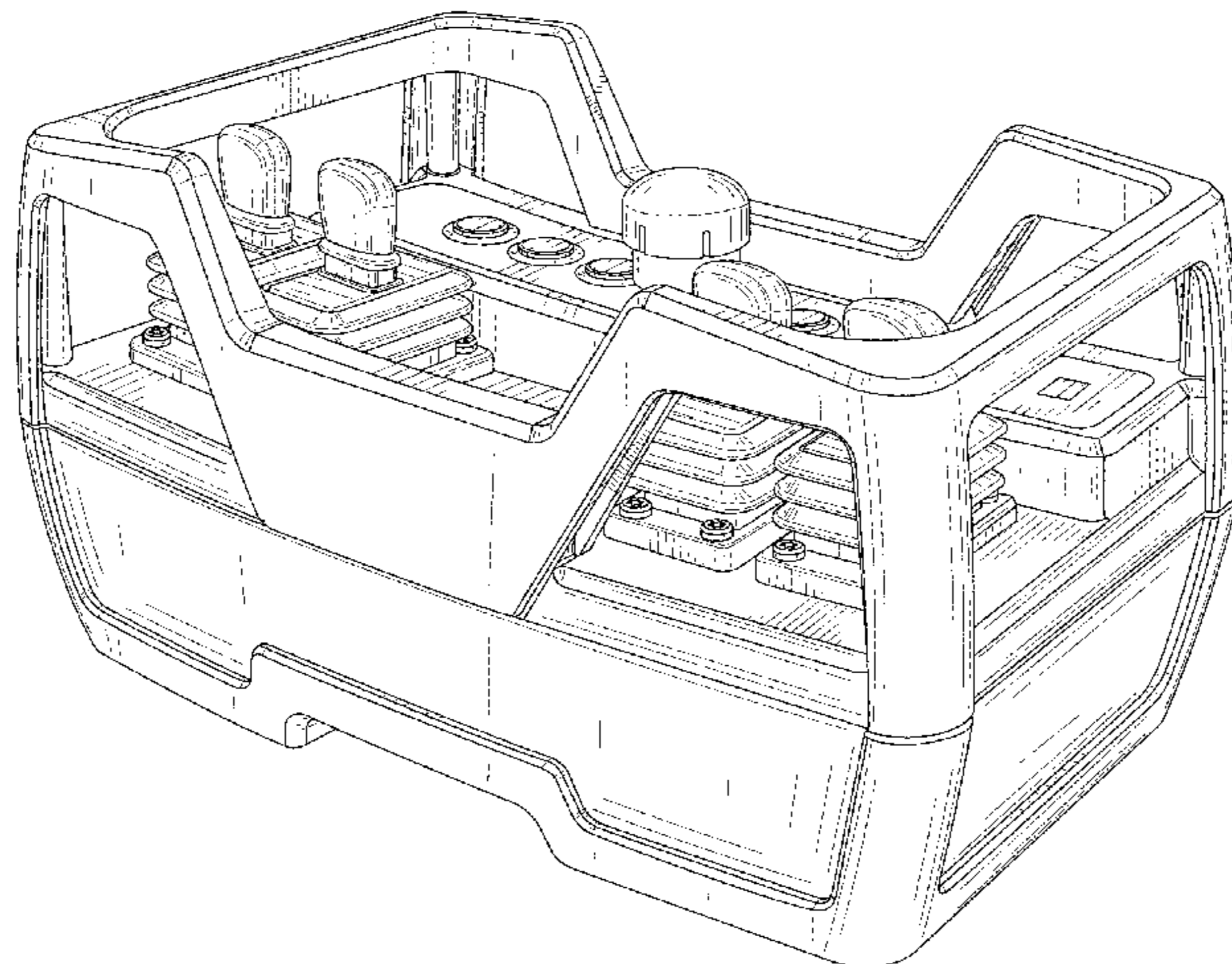
(57) **CLAIM**

The ornamental design for a remote control, as shown and described.

DESCRIPTION

FIG. 1 is a front and left side perspective view of a first embodiment of a remote control showing the new design; FIG. 2 is a front elevational view thereof; FIG. 3 is a left side elevational view thereof; FIG. 4 is a rear elevational view thereof; FIG. 5 is a right side elevational view thereof; FIG. 6 is a top plan view thereof; and FIG. 7 is a bottom plan view thereof. FIG. 8 is a front and left side perspective view of a second embodiment of a remote control showing the new design; FIG. 9 is a front elevational view of the design of FIG. 8; FIG. 10 is a left side elevational view of the design of FIG. 8; FIG. 11 is a rear elevational view of the design of FIG. 8; FIG. 12 is a right side elevational view of the design of FIG. 8; FIG. 13 is a top plan view of the design of FIG. 8; and, FIG. 14 is a bottom plan view of the design of FIG. 8.

1 Claim, 14 Drawing Sheets



(56)

References Cited

OTHER PUBLICATIONS

NBB Controls + Components GMBH; "nbb Radio Remote Control"; brochure, Mar. 2013, 2 pages.

NBB Controls + Components GMBH; "NBB Funkfernsteuerungen"; brochure, Feb. 2014, 2 pages. (no English language translation available).

* cited by examiner

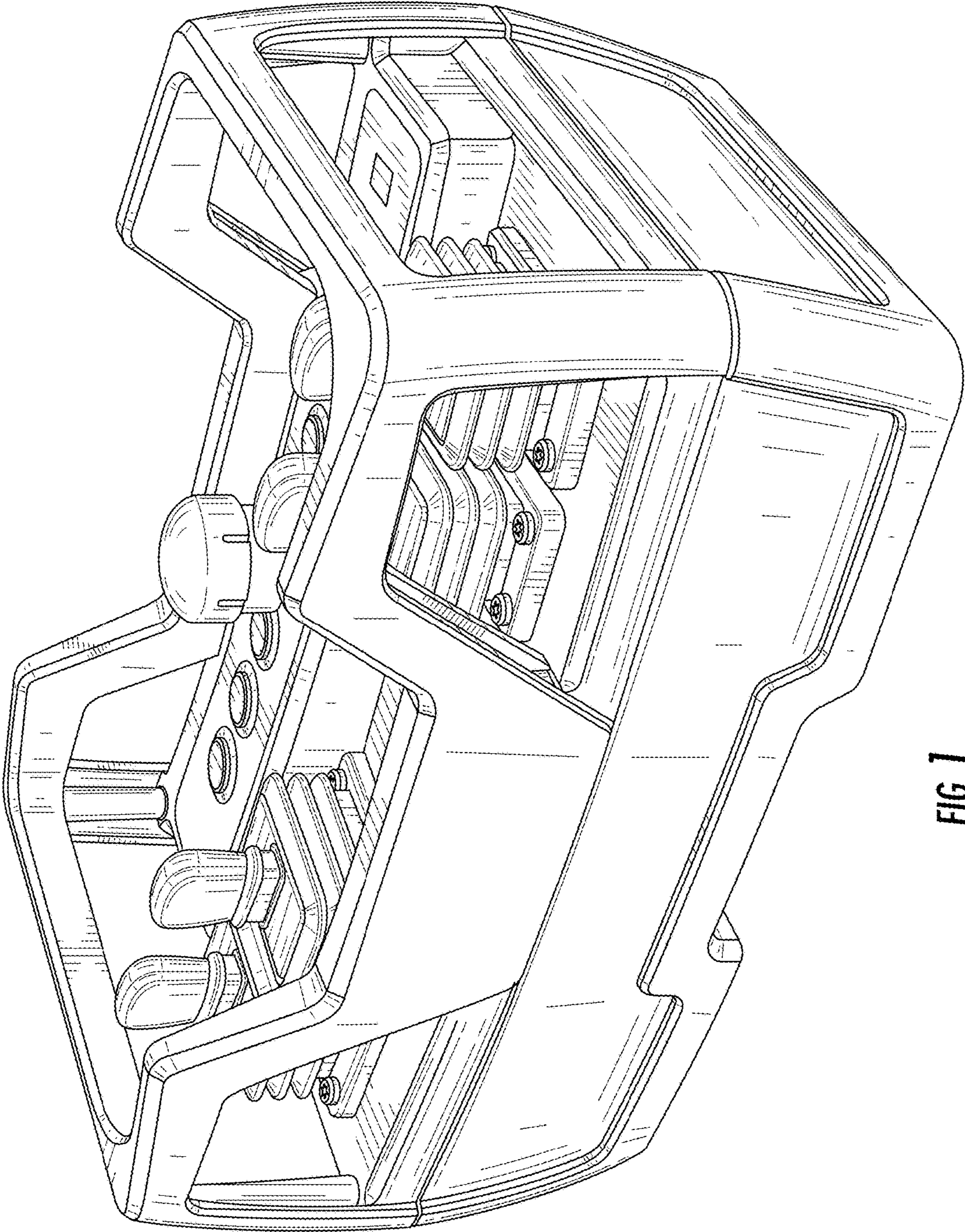


FIG. 1

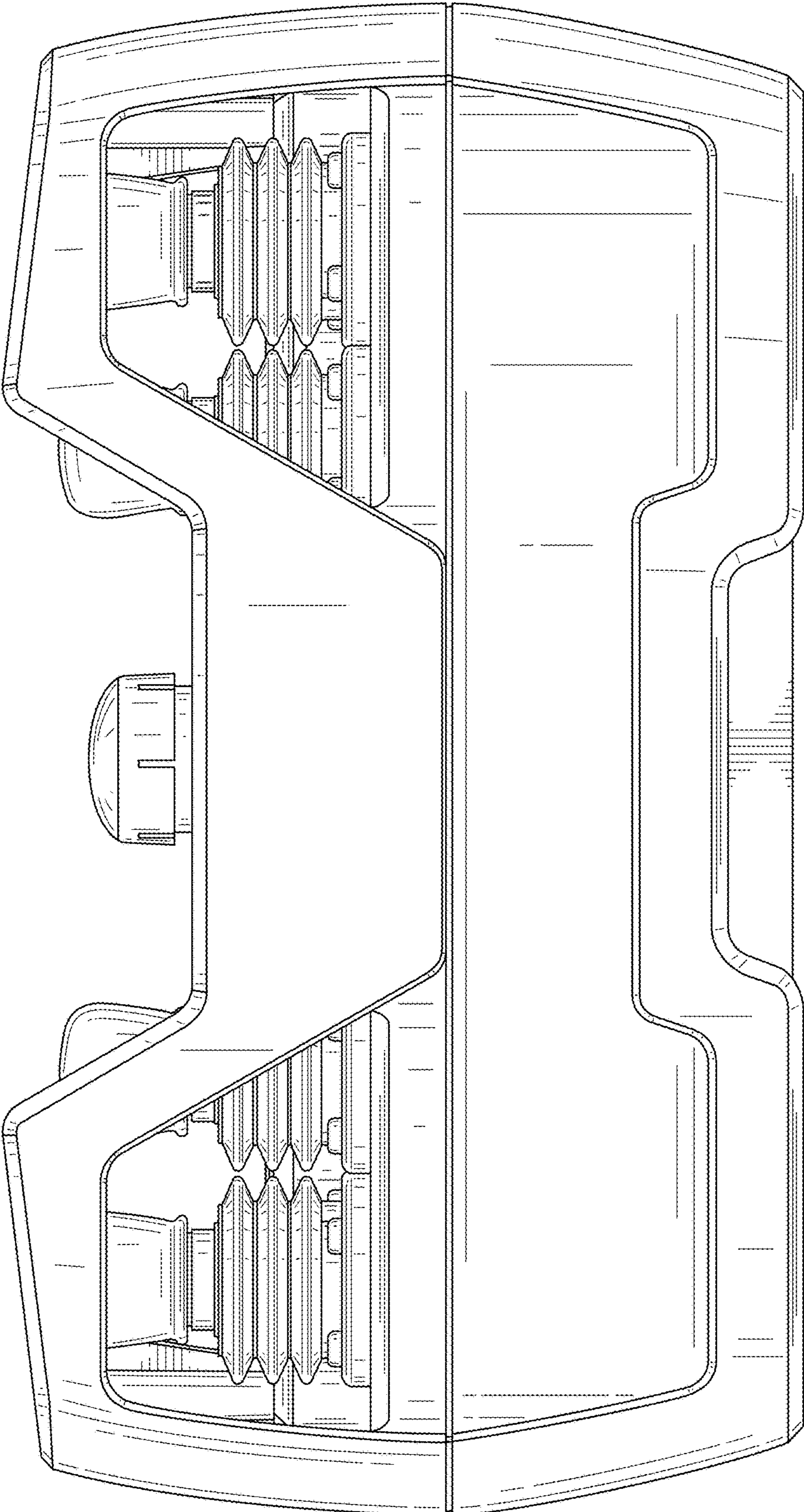


FIG. 2

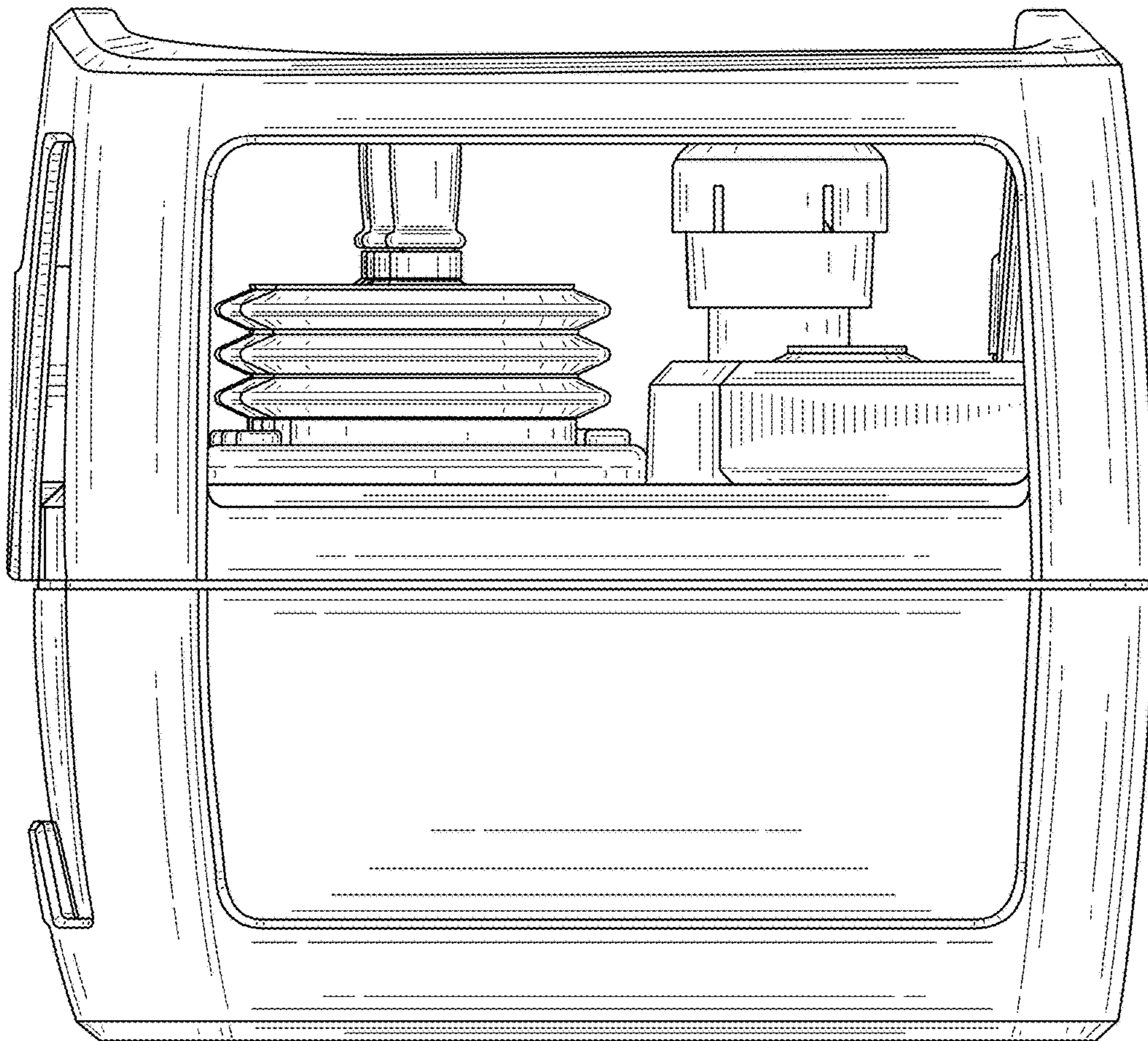


FIG. 3

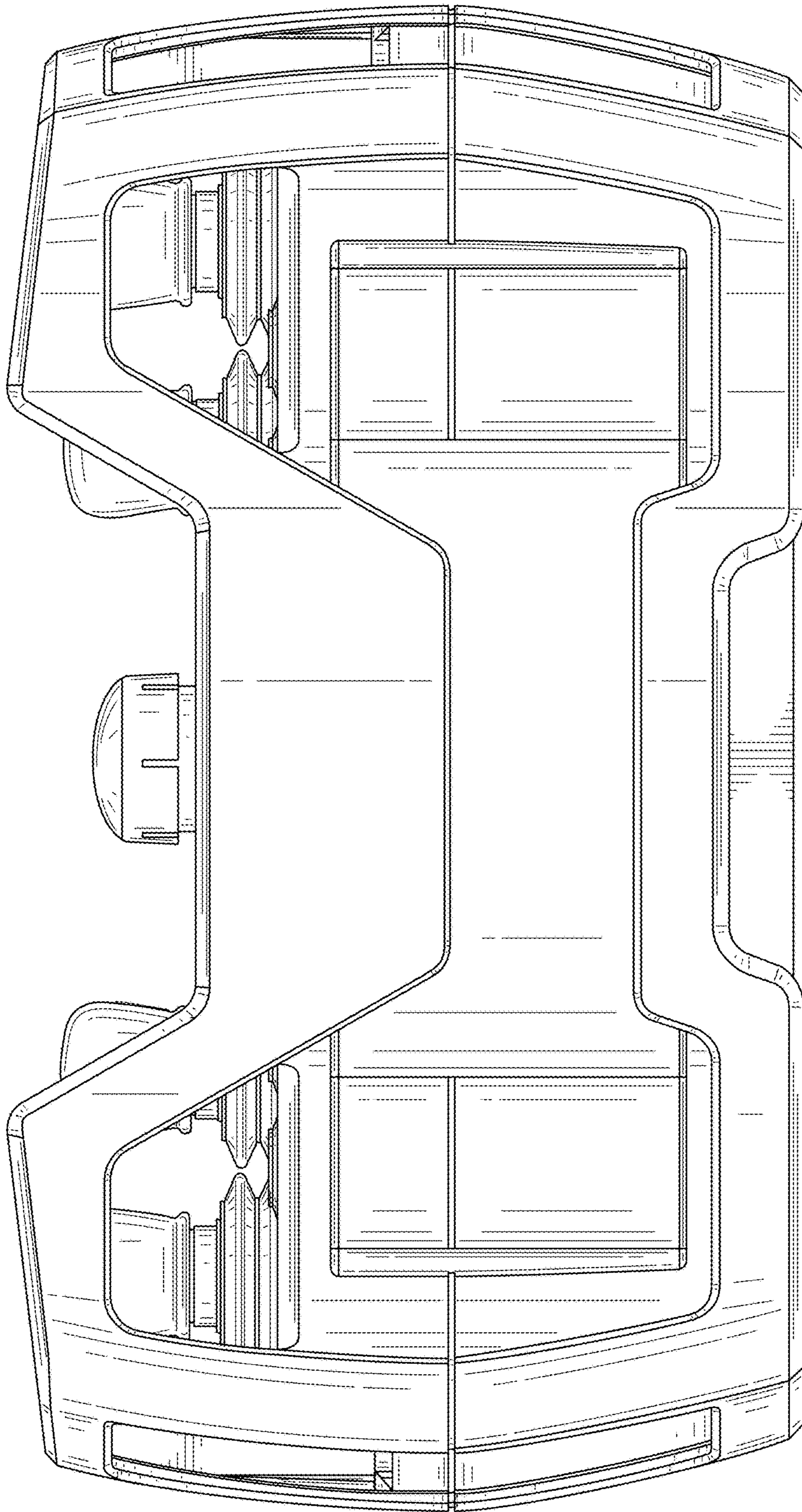


FIG. 4

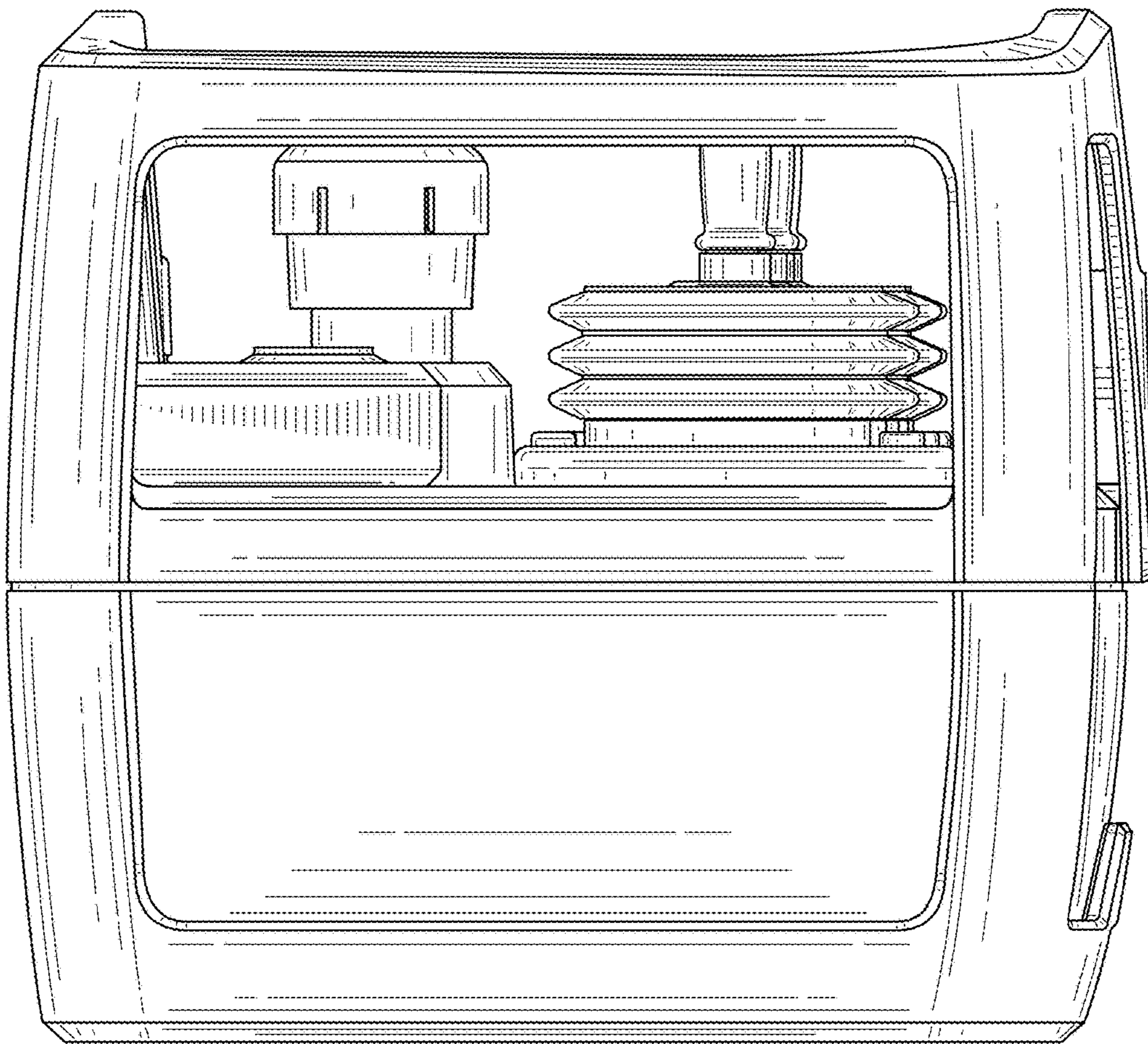


FIG. 5

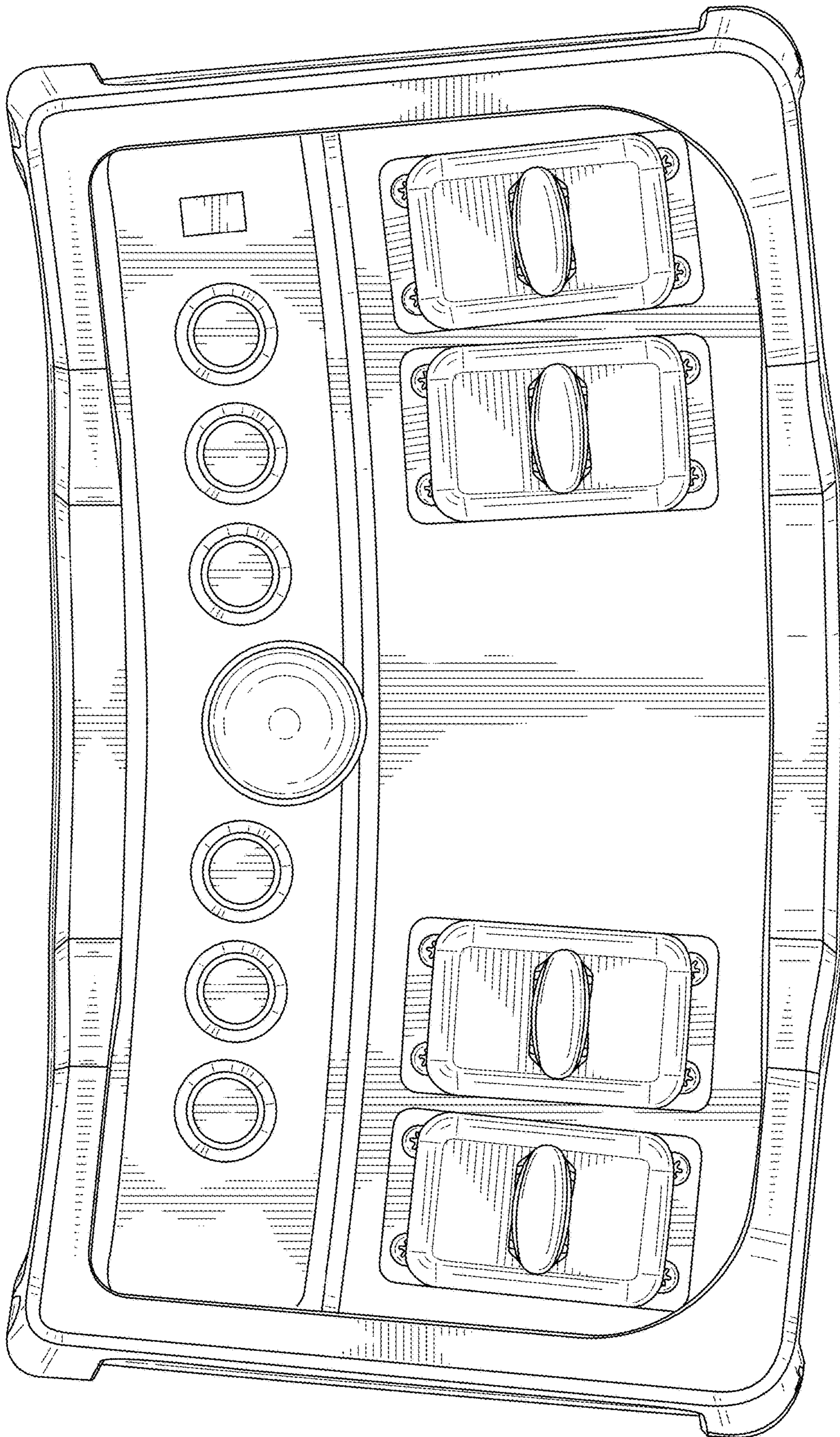


FIG. 6

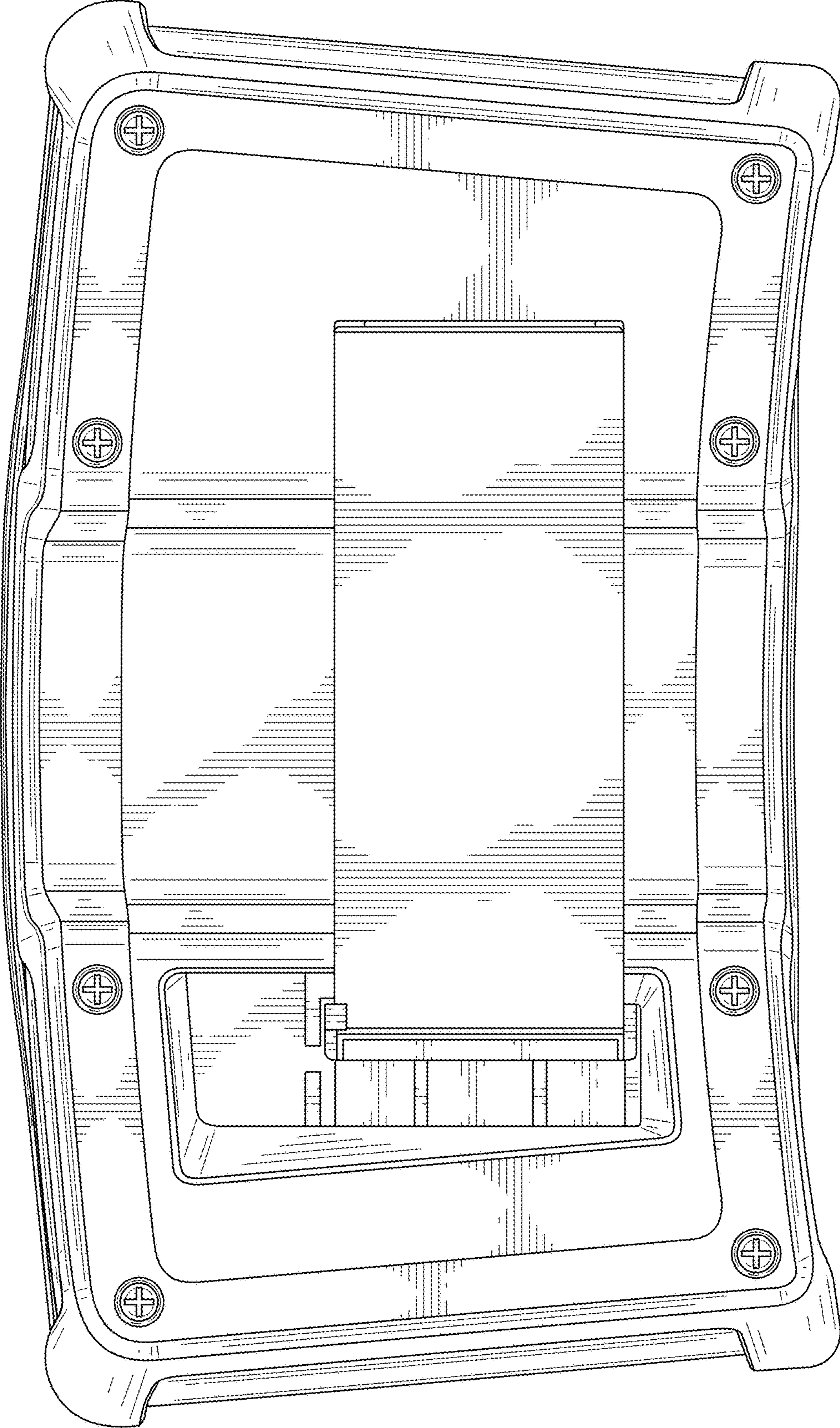


FIG. 7

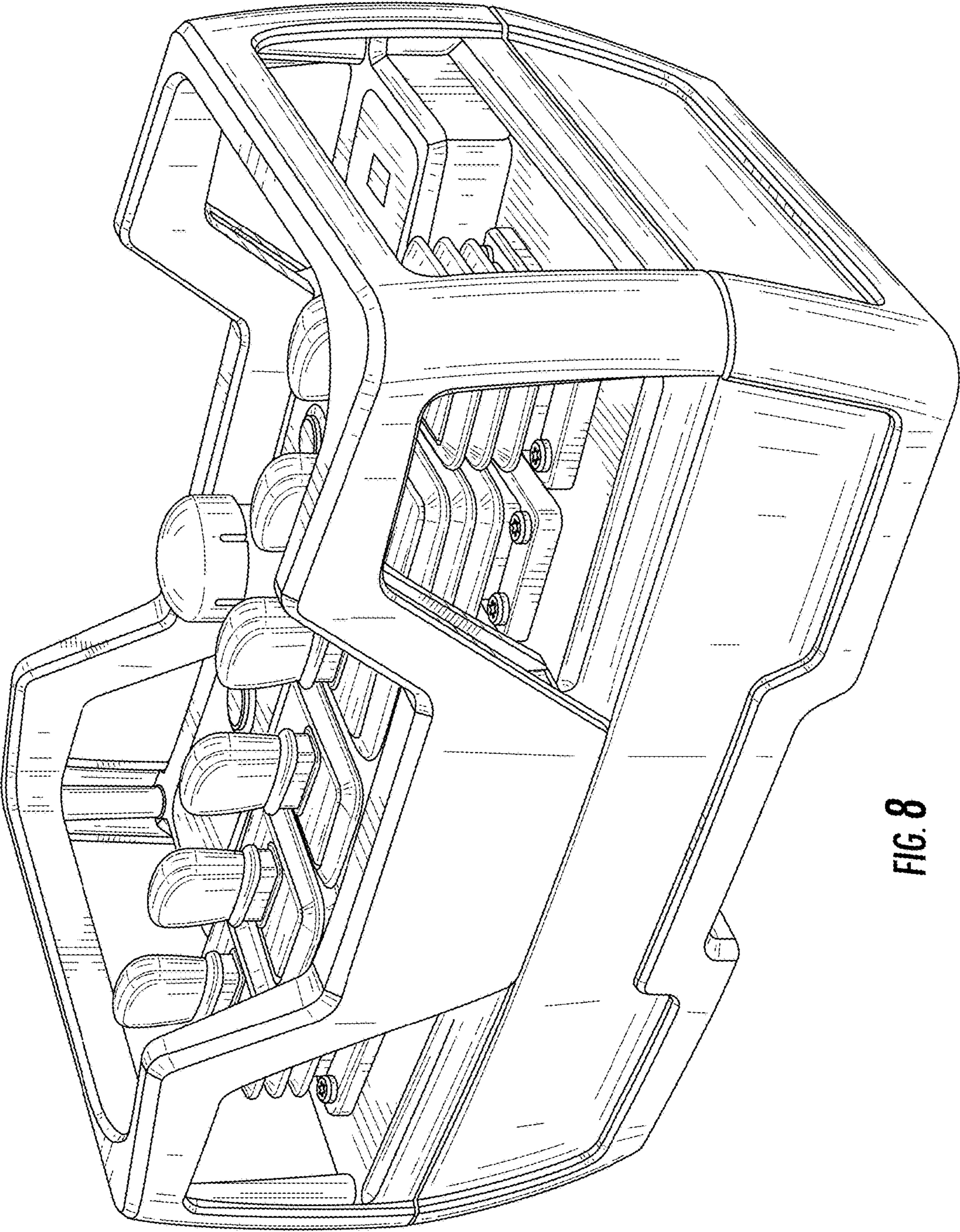


FIG. 8

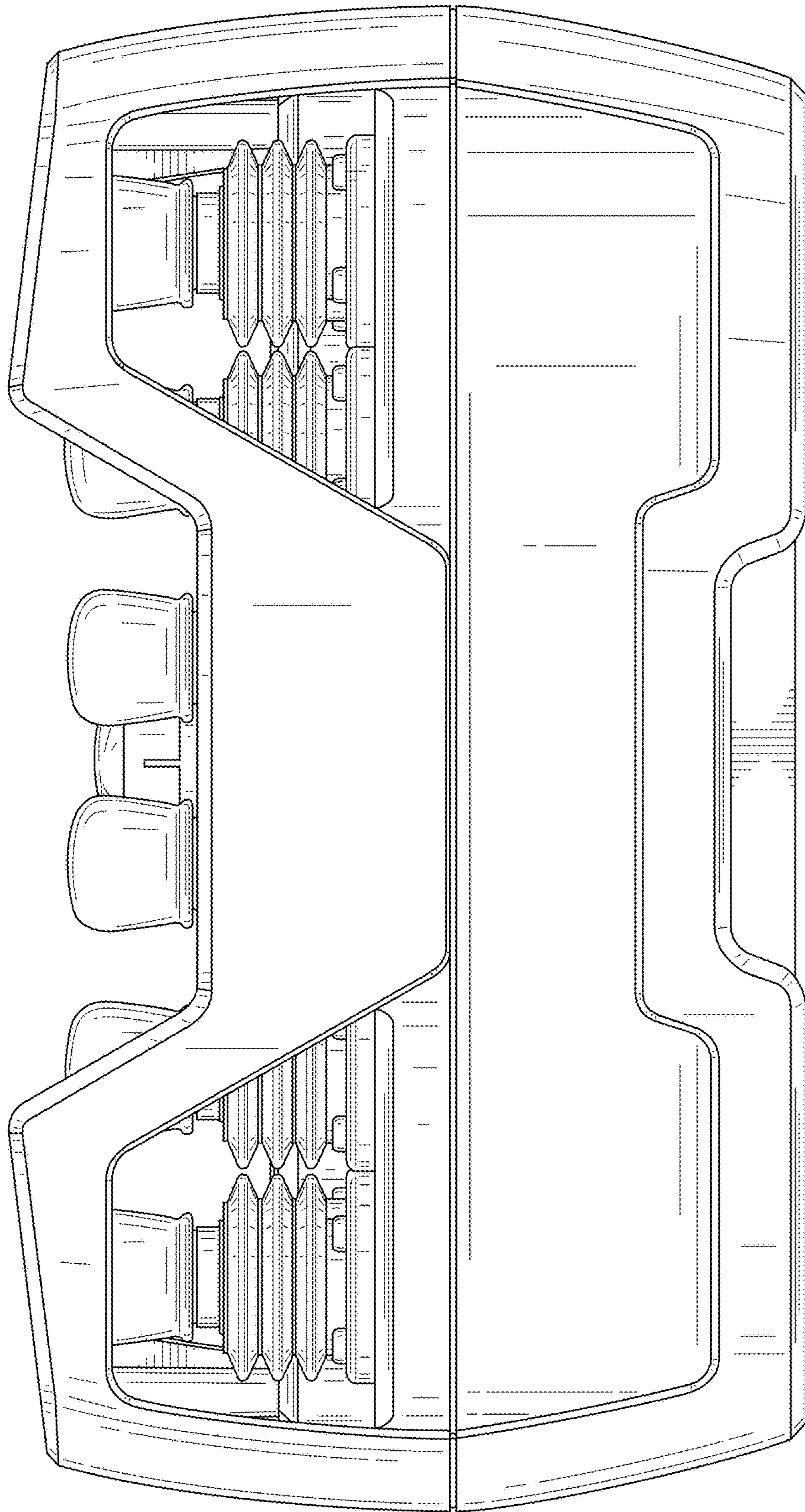


FIG. 9

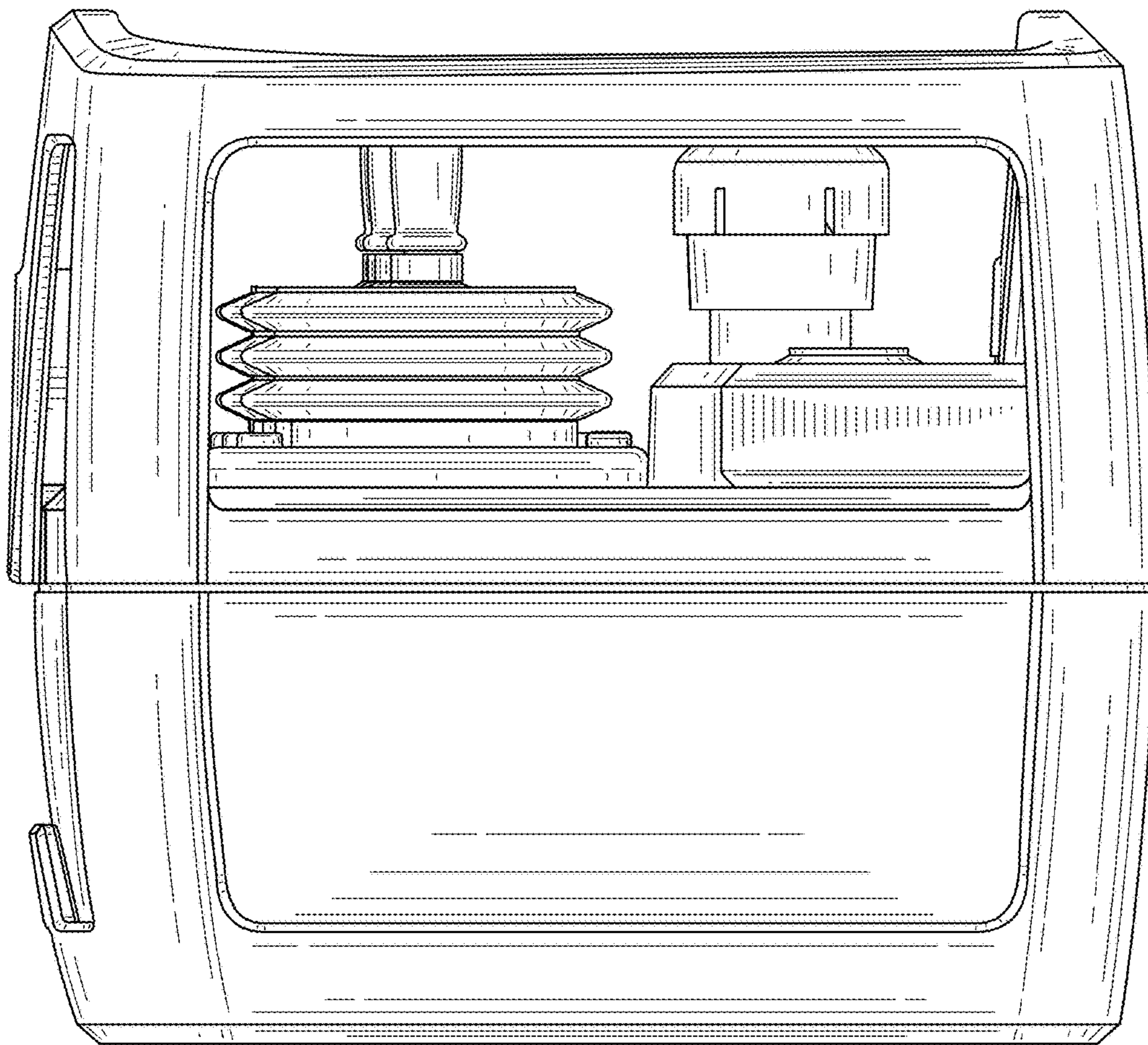


FIG. 10

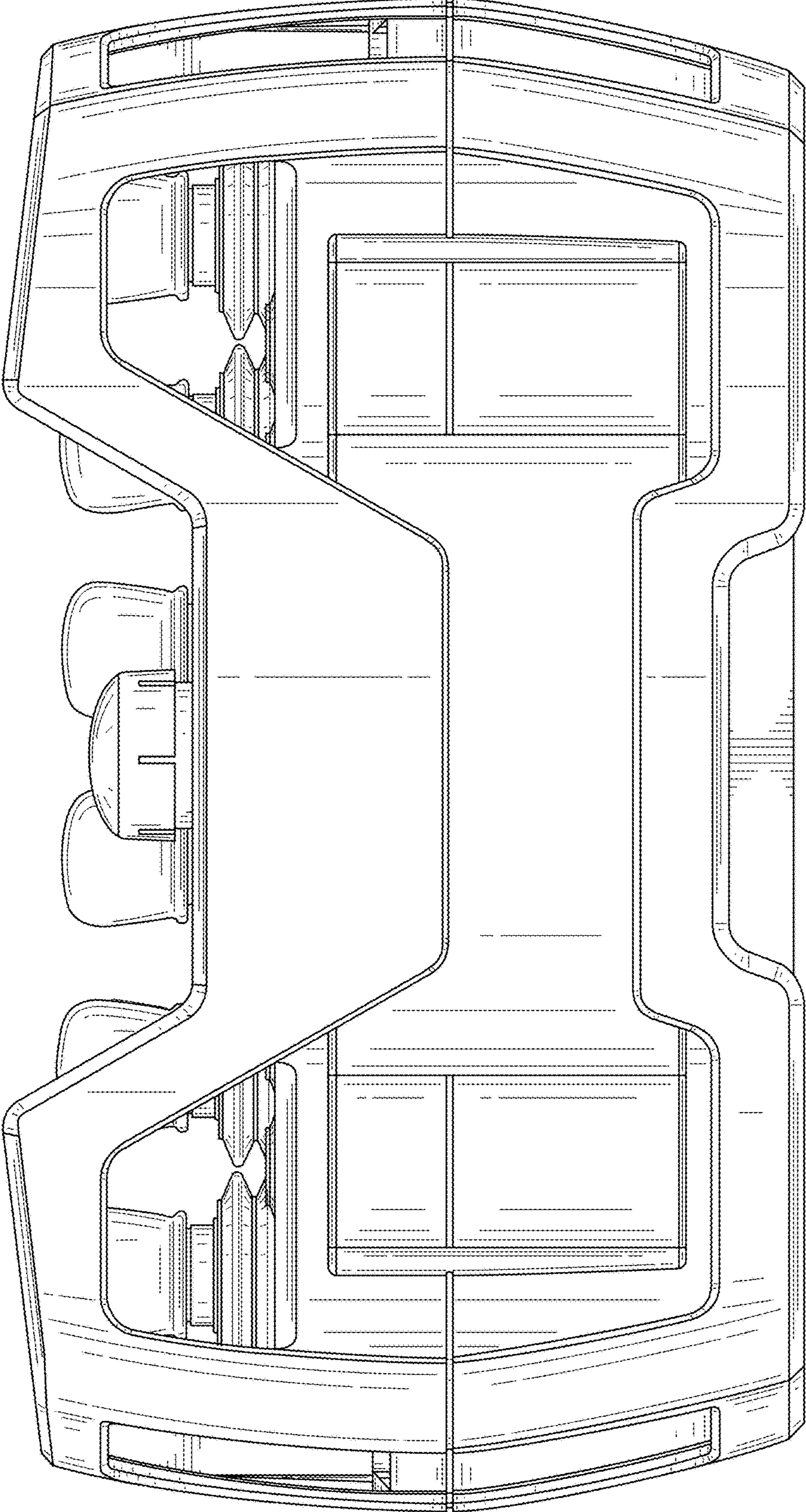


FIG. 11

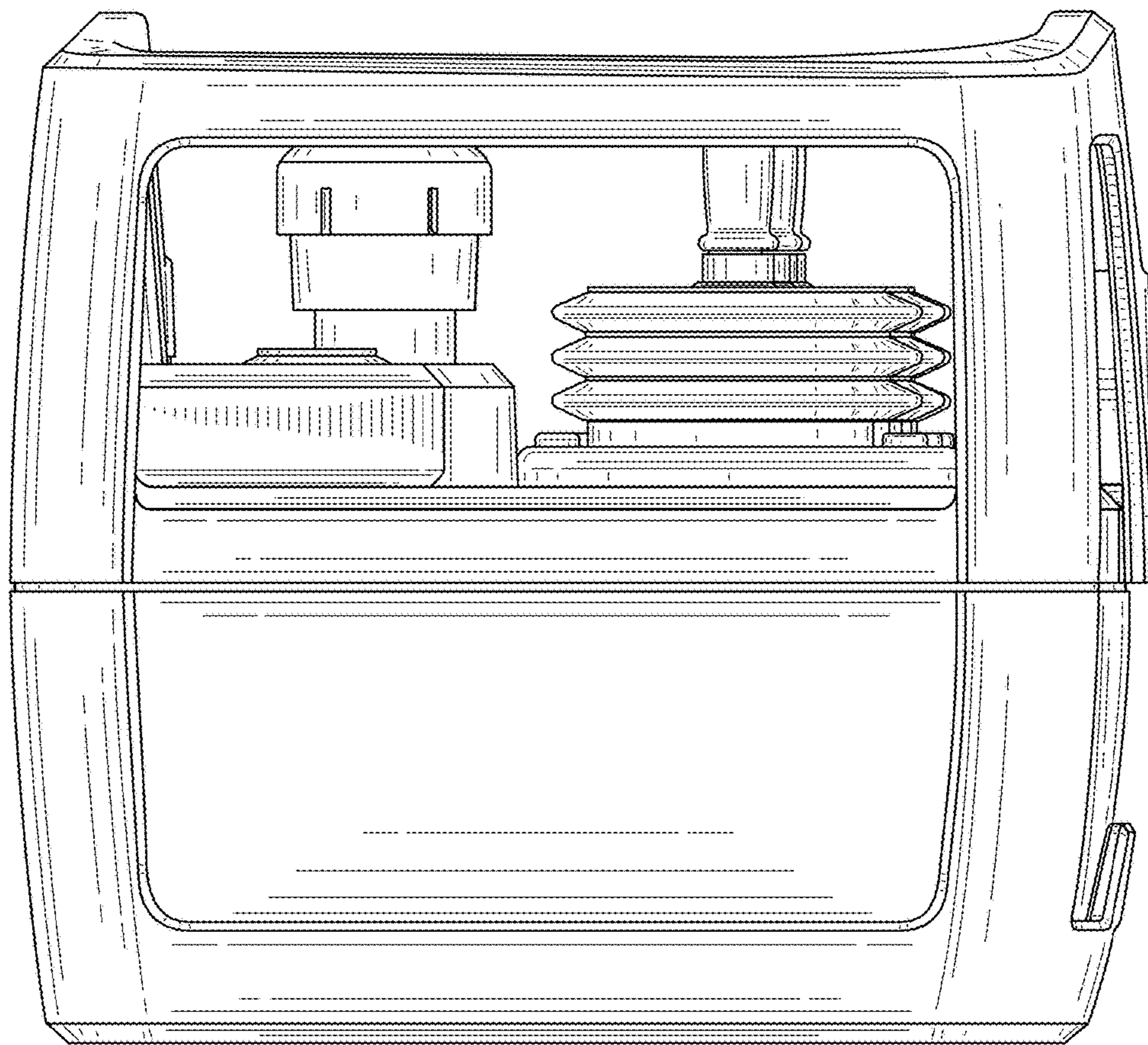


FIG. 12

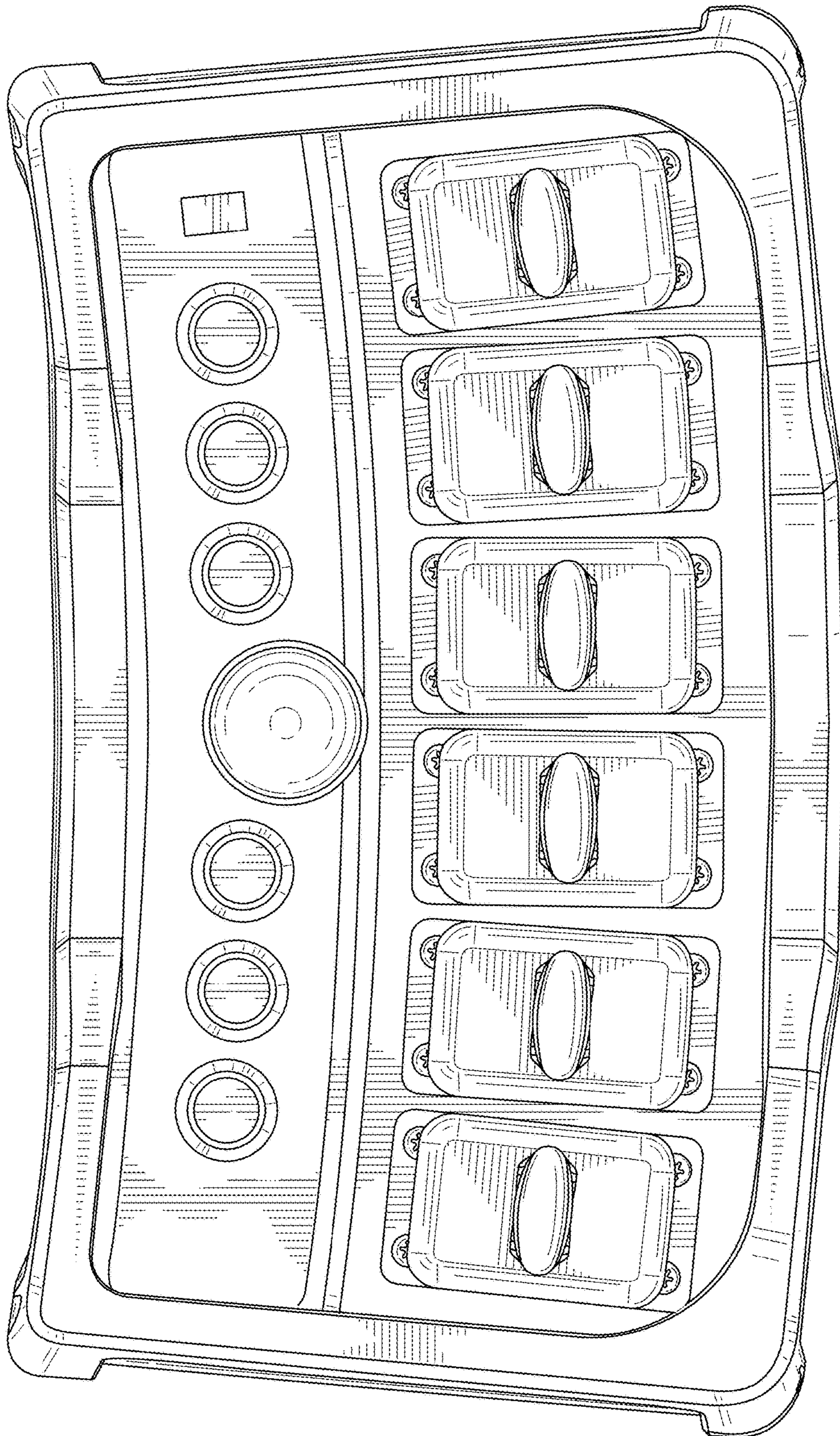


FIG. 13

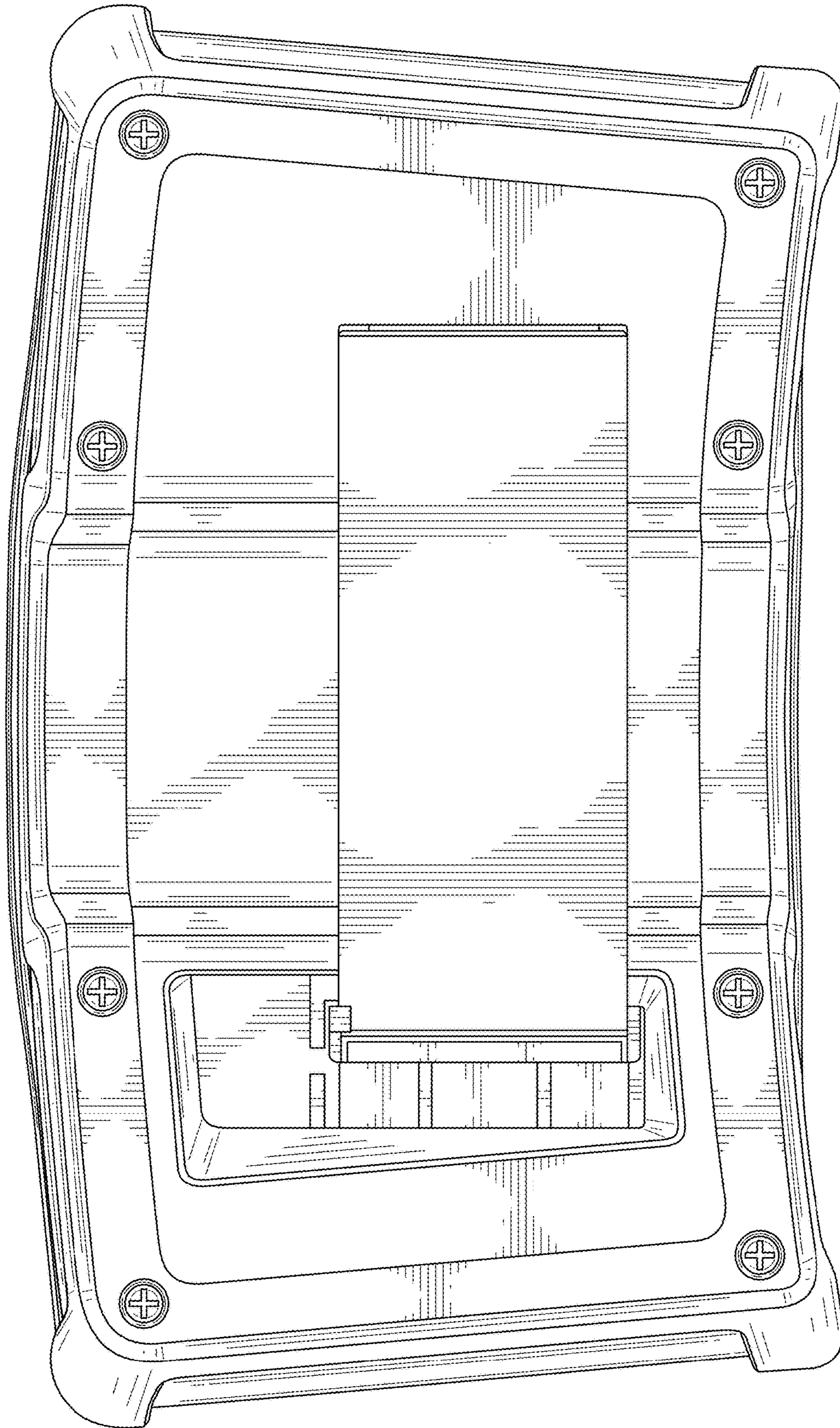


FIG. 14