



US00D868708S

(12) **United States Design Patent**  
**Goos et al.**

(10) **Patent No.:** **US D868,708 S**

(45) **Date of Patent:** **\*\* Dec. 3, 2019**

(54) **REMOTE CONTROL**

9,944,505 B2 \* 4/2018 Haug ..... B66C 13/40  
2010/0110620 A1 \* 5/2010 Haug ..... B66C 13/40  
361/679.01  
2017/0210603 A1 \* 7/2017 Maffeis ..... B66C 23/701

(71) Applicant: **NBB Holding AG**, Ölbronn-Dürrn (DE)

(72) Inventors: **Jürgen Goos**, Speyer (DE); **Bettina Baacke**, Bretten (DE)

(73) Assignee: **NBB Holding AG**, Oelbronn-Duerm (DE)

(\*\*) Term: **15 Years**

(21) Appl. No.: **29/660,380**

(22) Filed: **Aug. 21, 2018**

(30) **Foreign Application Priority Data**

Feb. 22, 2018 (DE) ..... 40 2018 100 201

(51) **LOC (12) Cl.** ..... **13-03**

(52) **U.S. Cl.**  
USPC ..... **D13/168**

(58) **Field of Classification Search**  
USPC ..... D13/164, 168; D14/218, 401  
CPC ..... H03J 1/0025; H01H 9/0235; H04B 1/202;  
G08C 17/00; G08C 17/02; G08C 19/00;  
G08C 19/28; G08C 23/02; G08C 23/04;  
G05B 15/02

See application file for complete search history.

(56) **References Cited**

**U.S. PATENT DOCUMENTS**

D577,724 S \* 9/2008 Henne ..... D14/401  
8,050,016 B2 \* 11/2011 Haug ..... B66C 13/40  
361/679.01  
9,776,839 B2 \* 10/2017 Persico ..... G08C 17/02  
D808,909 S \* 1/2018 Findik ..... D13/168  
9,884,750 B2 \* 2/2018 Maffeis ..... B66C 23/701

**OTHER PUBLICATIONS**

Advanced Radiotech Corporation Industrial Radio Remote Control; prior to Aug. 21, 2017; 1 pg.; [https://www.google.com/search?q=industrial+remote+control&hl=en&biw=1536&bih=813&source=Int&tbs=cdr%3A1%2Ccd\\_min%3A8%2F21%2F2017&tbm=isch#imgrc=vjtRJnTCa3eYM:&spf=1564002657920](https://www.google.com/search?q=industrial+remote+control&hl=en&biw=1536&bih=813&source=Int&tbs=cdr%3A1%2Ccd_min%3A8%2F21%2F2017&tbm=isch#imgrc=vjtRJnTCa3eYM:&spf=1564002657920).\*

Industrial-remote-control-stock; prior to Aug. 21, 2017; 1 pg.; [https://www.google.com/search?q=industrial+remote+control&hl=en&biw=1536&bih=813&source=Int&tbs=cdr%3A1%2Ccd\\_min%3A8%2F21%2F2017&tbm=isch#imgrc=QhYbcTqxhL\\_maM:&spf=1564002657939](https://www.google.com/search?q=industrial+remote+control&hl=en&biw=1536&bih=813&source=Int&tbs=cdr%3A1%2Ccd_min%3A8%2F21%2F2017&tbm=isch#imgrc=QhYbcTqxhL_maM:&spf=1564002657939).\*

NBB Controls + Components GMBH; “nbb Radio Remote Control”; brochure, Mar. 2013, 2 pages.

NBB Controls + Components GMBH; “nbb Funkfernsteuerungen”; brochure, Feb. 2014, 2 pages (no English language translation available).

\* cited by examiner

*Primary Examiner* — Selina Sikder

(74) *Attorney, Agent, or Firm* — Lipsitz & McAllister, LLC

(57) **CLAIM**

The ornamental design for a remote control, as shown and described.

**DESCRIPTION**

FIG. 1 is a front and left side perspective view of a remote control showing the new design;

FIG. 2 is a front elevational view thereof;

FIG. 3 is a left side elevational view thereof;

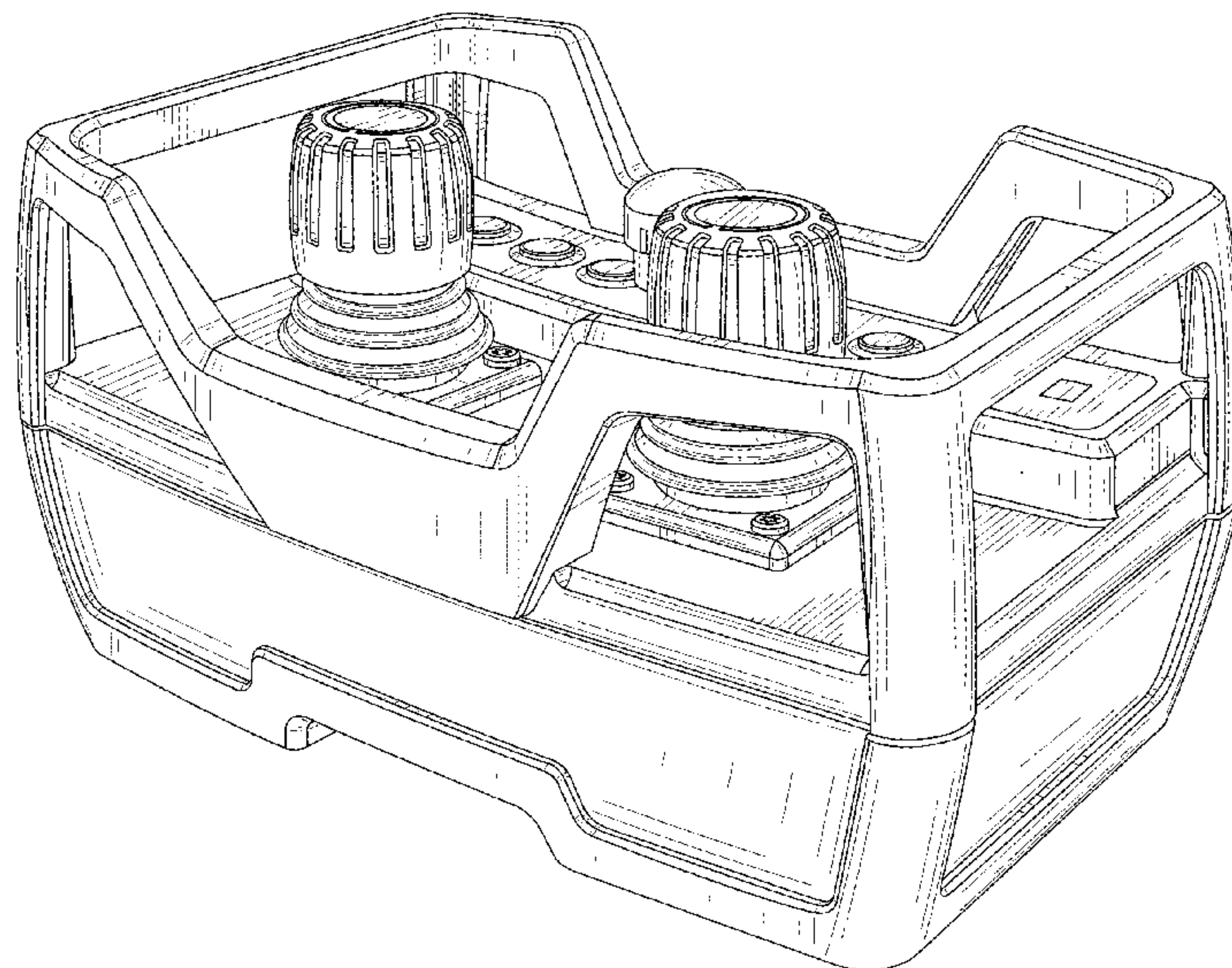
FIG. 4 is a rear elevational view thereof;

FIG. 5 is a right side elevational view thereof;

FIG. 6 is a top plan view thereof; and,

FIG. 7 is a bottom plan view thereof.

**1 Claim, 7 Drawing Sheets**



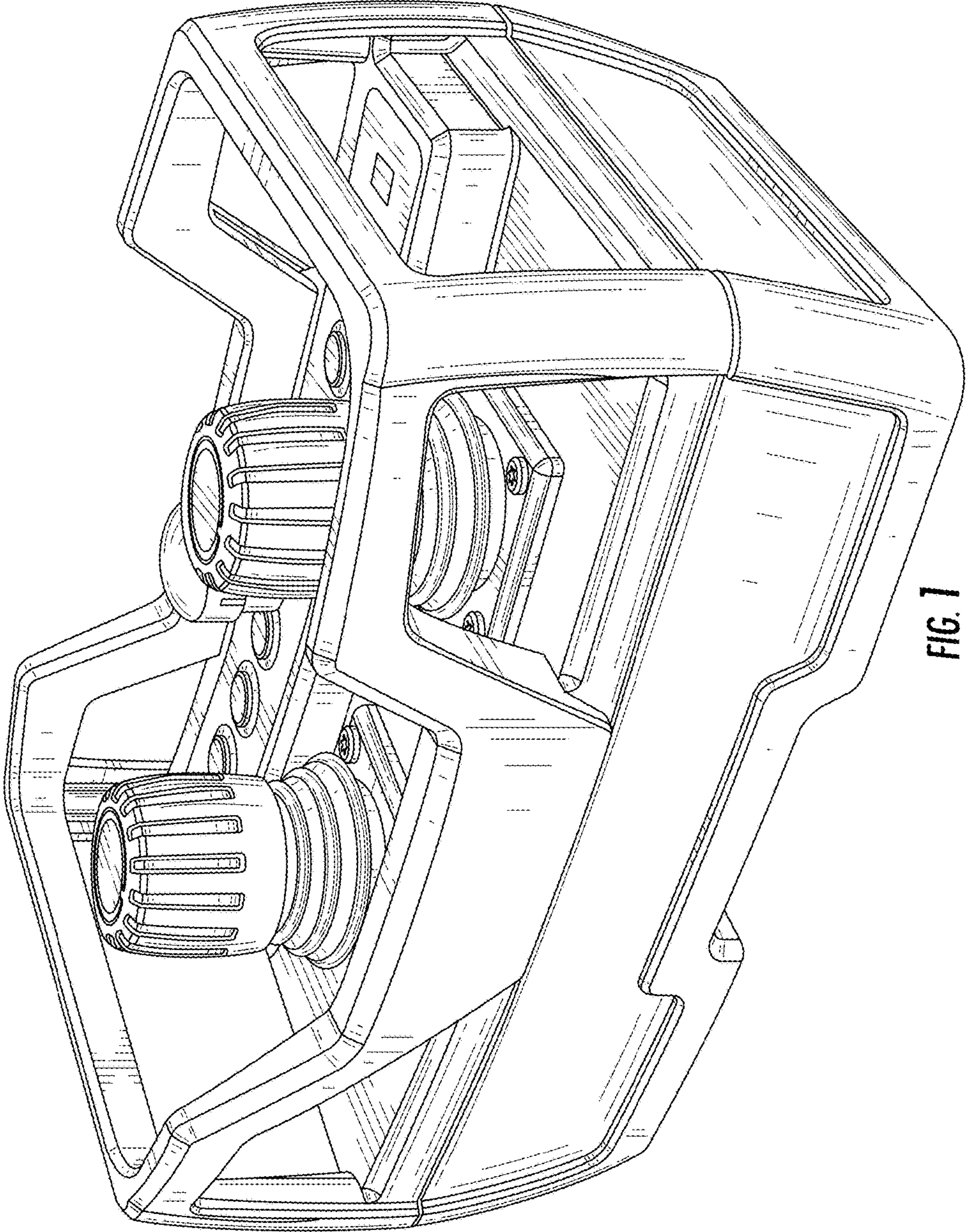


FIG. 1



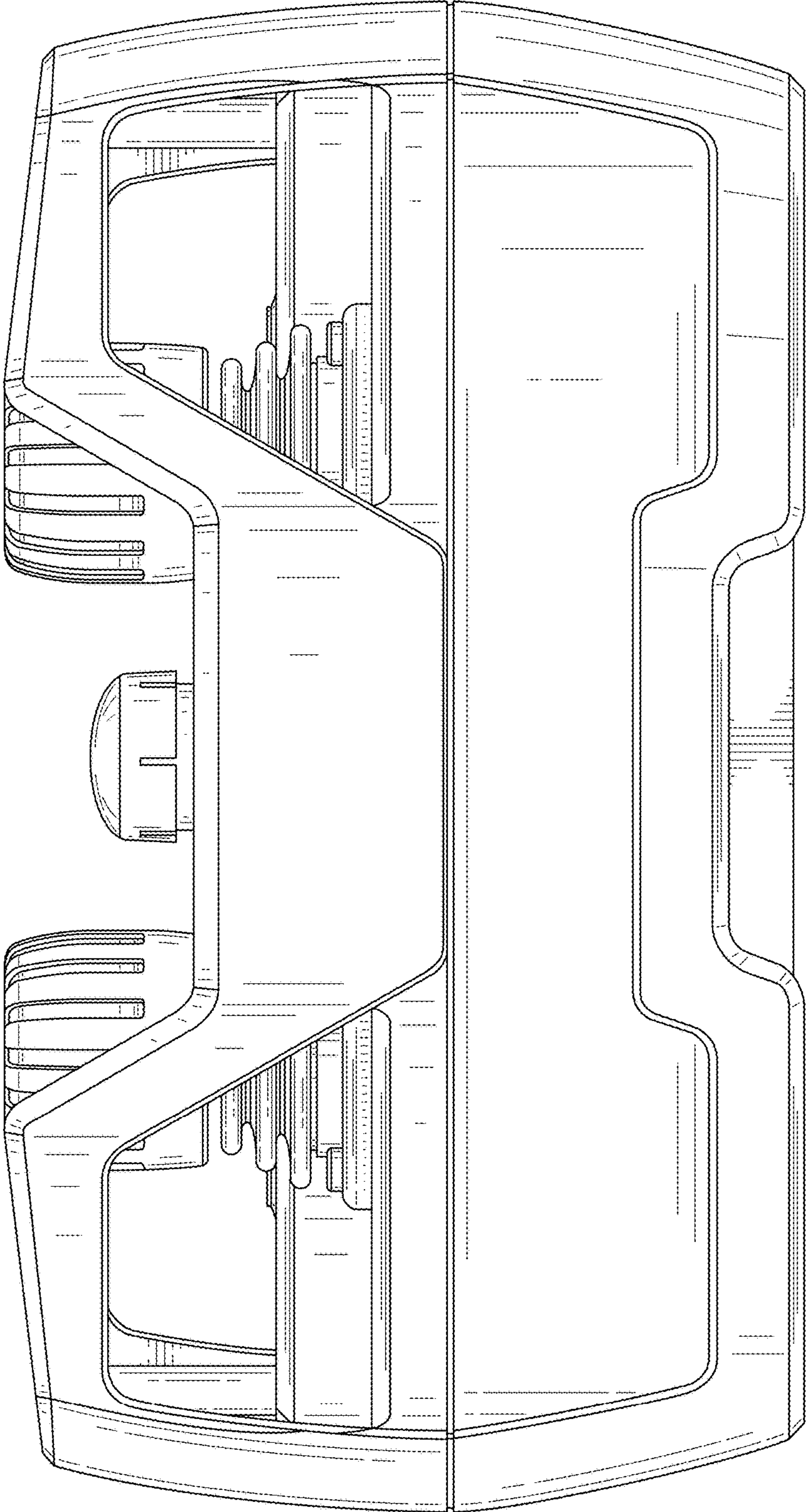


FIG. 2

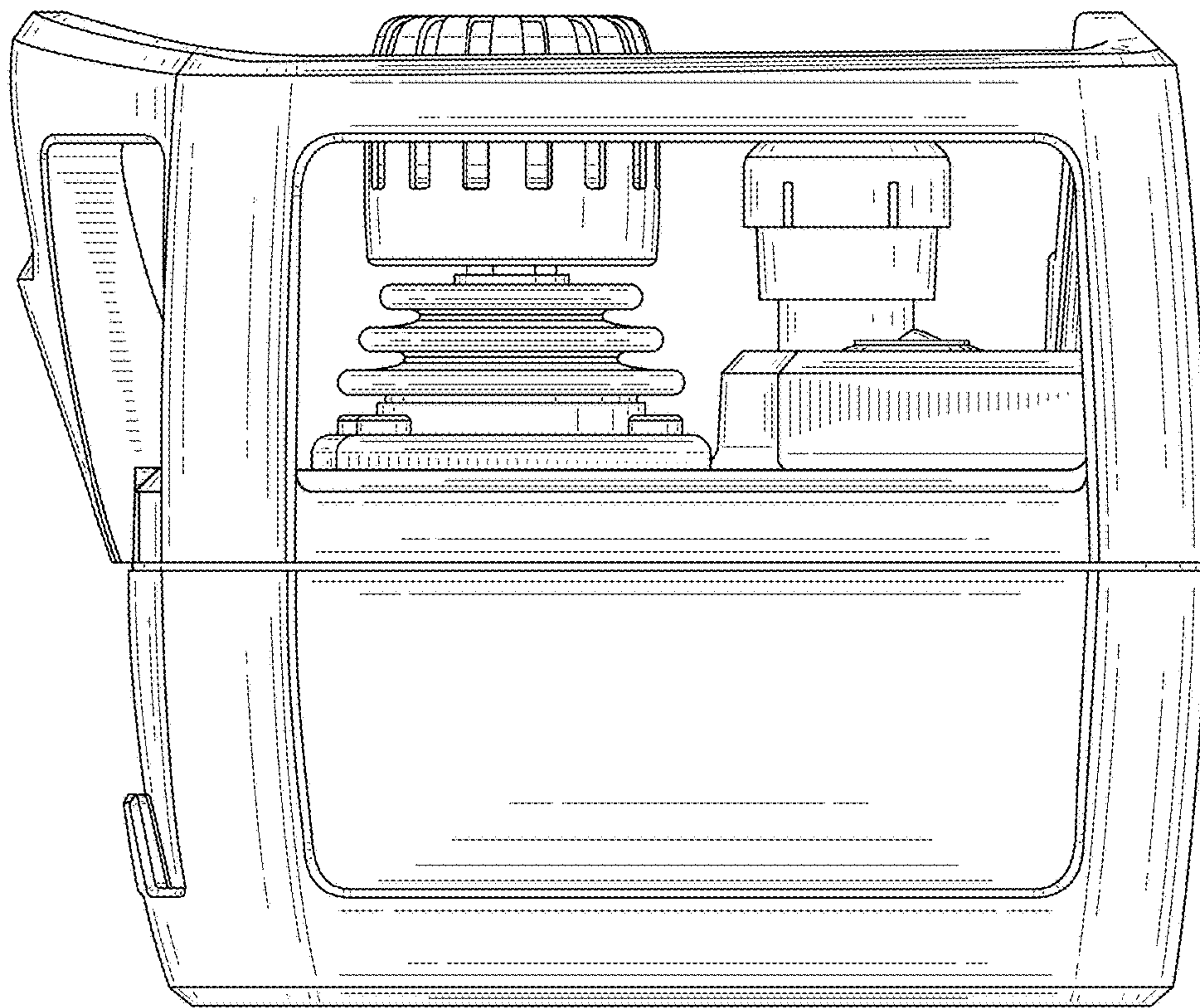


FIG. 3

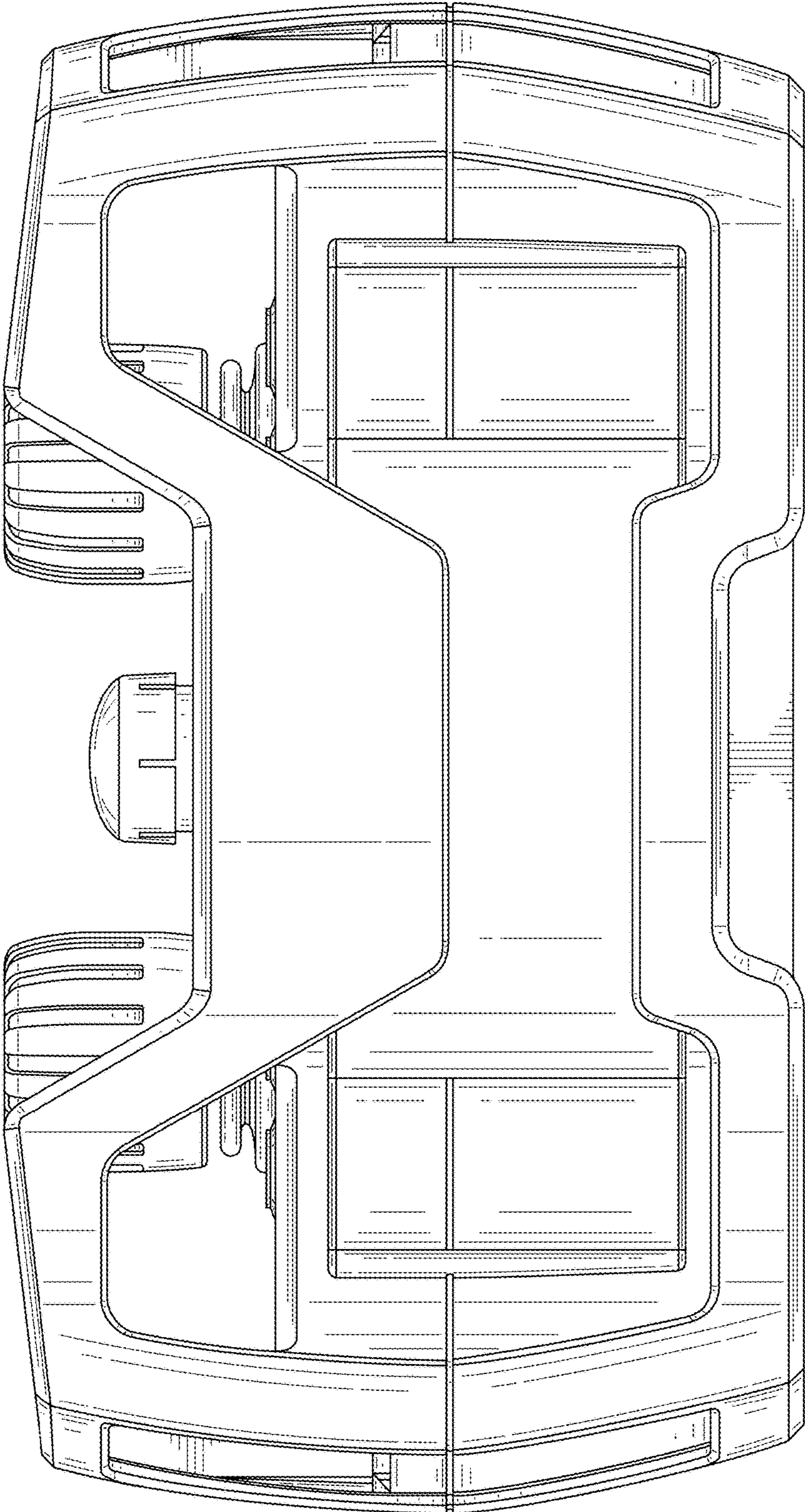


FIG. 4



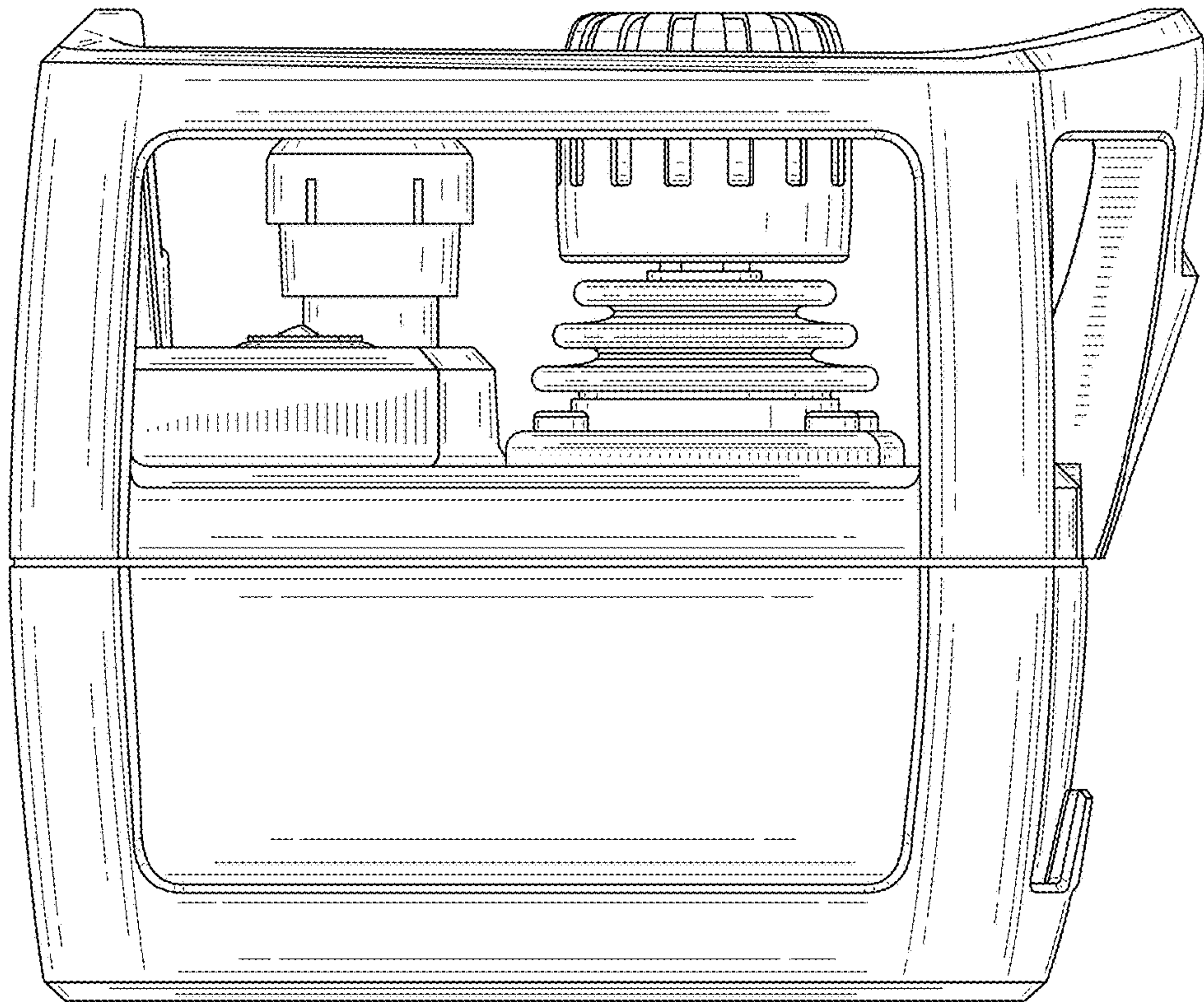


FIG. 5

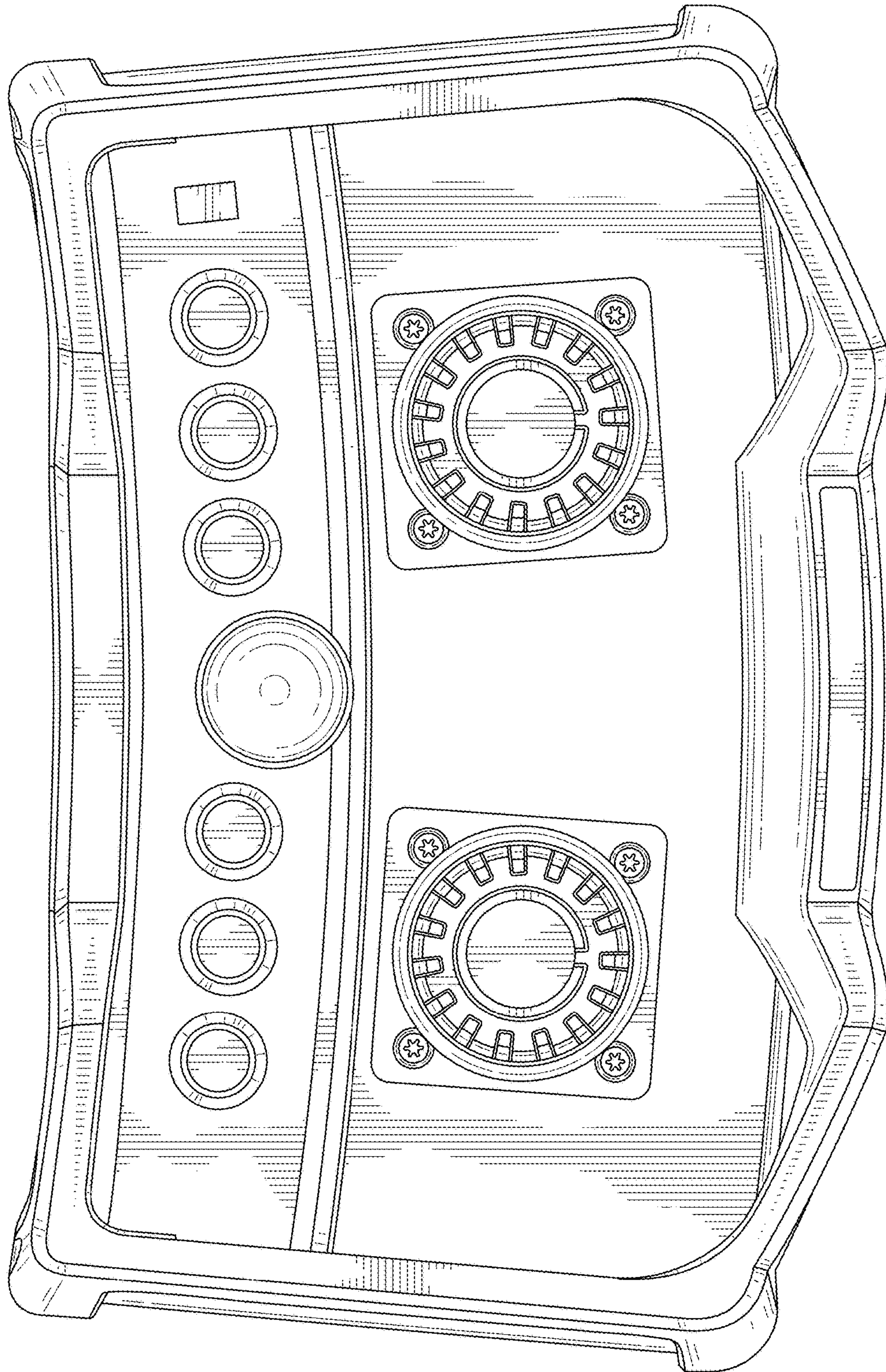


FIG. 6



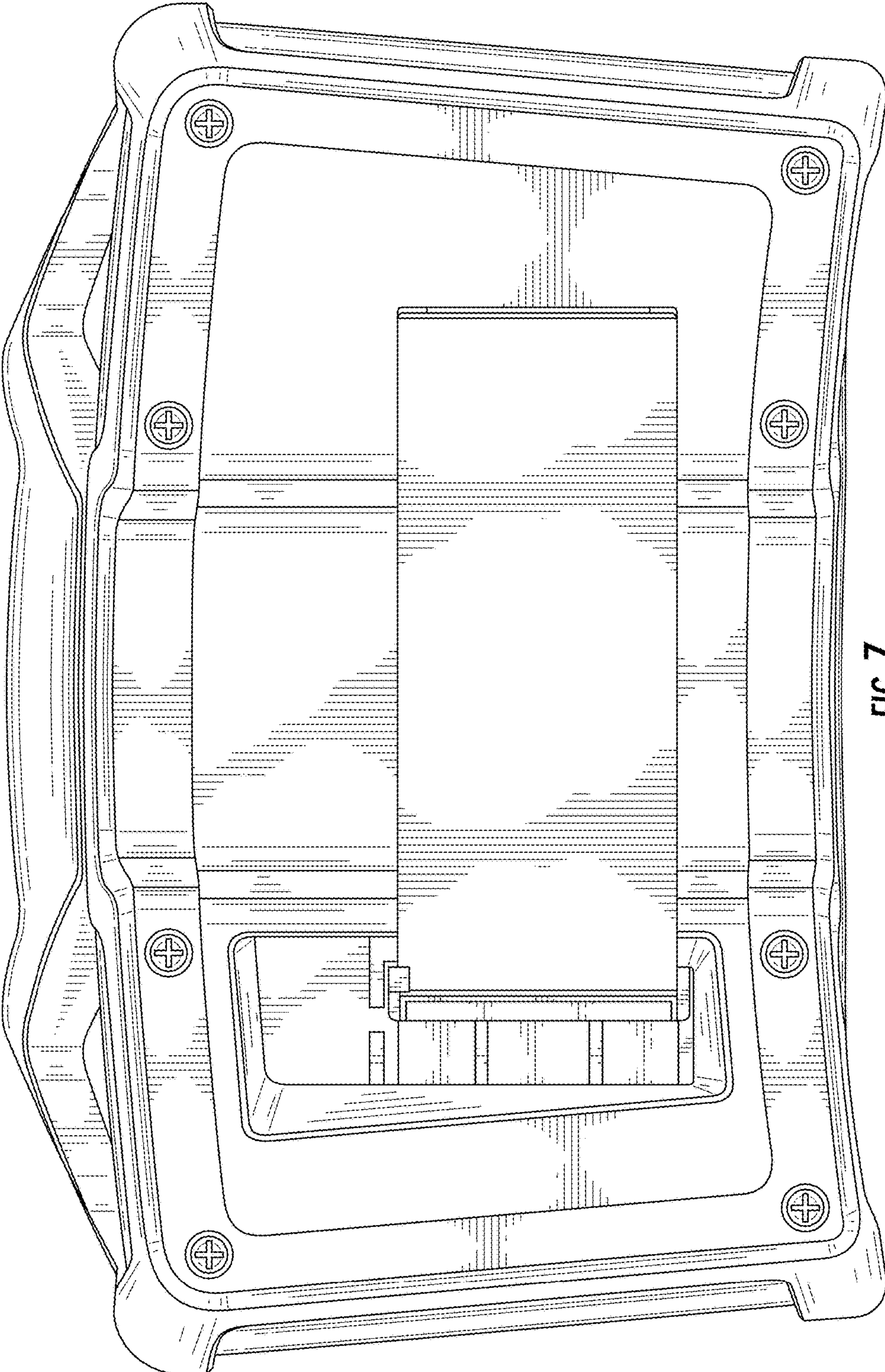


FIG. 7