



US00D868707S

(12) **United States Design Patent** (10) **Patent No.:** **US D868,707 S**
Lin (45) **Date of Patent:** **** Dec. 3, 2019**

(54) **WIFI SWITCH**
(71) Applicant: **ZENGGE CO., LTD**, Jiangmen (CN)
(72) Inventor: **Fuzhou Lin**, Jiangmen (CN)
(73) Assignee: **ZENGGE CO., LTD.**, Jiangmen (CN)
(**) Term: **15 Years**
(21) Appl. No.: **29/644,753**

5,712,030 A * 1/1998 Goto B23B 27/145
407/119
D394,842 S * 6/1998 Kellstedt, Jr. D13/162
D400,513 S * 11/1998 Seirio D13/184
D423,452 S * 4/2000 Fujisawa D13/110
D424,528 S * 5/2000 Dernehl D13/110
D436,878 S * 1/2001 Vassell D10/104.1
D450,665 S * 11/2001 Isely D13/184
D480,365 S * 10/2003 Nurdogan D13/159
D480,690 S * 10/2003 Nurdogan D13/159
D481,362 S * 10/2003 Nurdogan D13/159
D482,008 S * 11/2003 Petronio D13/184

(Continued)

(22) Filed: **Apr. 20, 2018**
(51) **LOC (12) Cl.** **13-03**
(52) **U.S. Cl.**
USPC **D13/158**
(58) **Field of Classification Search**
USPC ... D13/158, 159, 123, 124, 162, 162.1, 168,
D13/173, 184, 199, 110; D14/356, 357,
D14/358, 388, 432, 433, 496, 217, 218,
D14/240, 242, 299; D10/46, 49, 60, 75,
D10/77, 104.1, 109.1, 121
CPC F21V 23/04; F21V 23/045; F21V 23/0435;
F21V 14/00; F21V 9/08; F21V 9/30;
F21V 9/40; F21V 9/45; H05B 33/0884;
H05B 33/0842; H05B 33/1863; H05B
33/1866; H05B 33/0809; H05B 37/0272;
F21L 15/04

See application file for complete search history.

(56) **References Cited**

U.S. PATENT DOCUMENTS

D255,031 S * 5/1980 Lazzara D13/165
D256,012 S * 7/1980 Matsuda D13/171
D307,579 S * 5/1990 Layne D13/171
D312,612 S * 12/1990 Seymour D13/123
D315,144 S * 3/1991 Dard D10/46
D331,226 S * 11/1992 Austin D13/162
D344,715 S * 3/1994 Hsiao D13/159
D356,551 S * 3/1995 Ahn D13/110
D368,466 S * 4/1996 Ahn D13/110
D380,443 S * 7/1997 Ahn D13/110

OTHER PUBLICATIONS

Sonoff WiFi Switch. amazon.com. (online) 11 pgs. Date first available Nov. 2, 2017 [Retrieved on Mar. 27, 2019] <https://www.amazon.com/Sonoff-Electrical-Household-Appliances-Compatible/dp/B0773DFQJ9>.*

(Continued)

Primary Examiner — Marie D. Fast Horse
(74) *Attorney, Agent, or Firm* — Billion & Armitage;
Benjamin C. Armitage

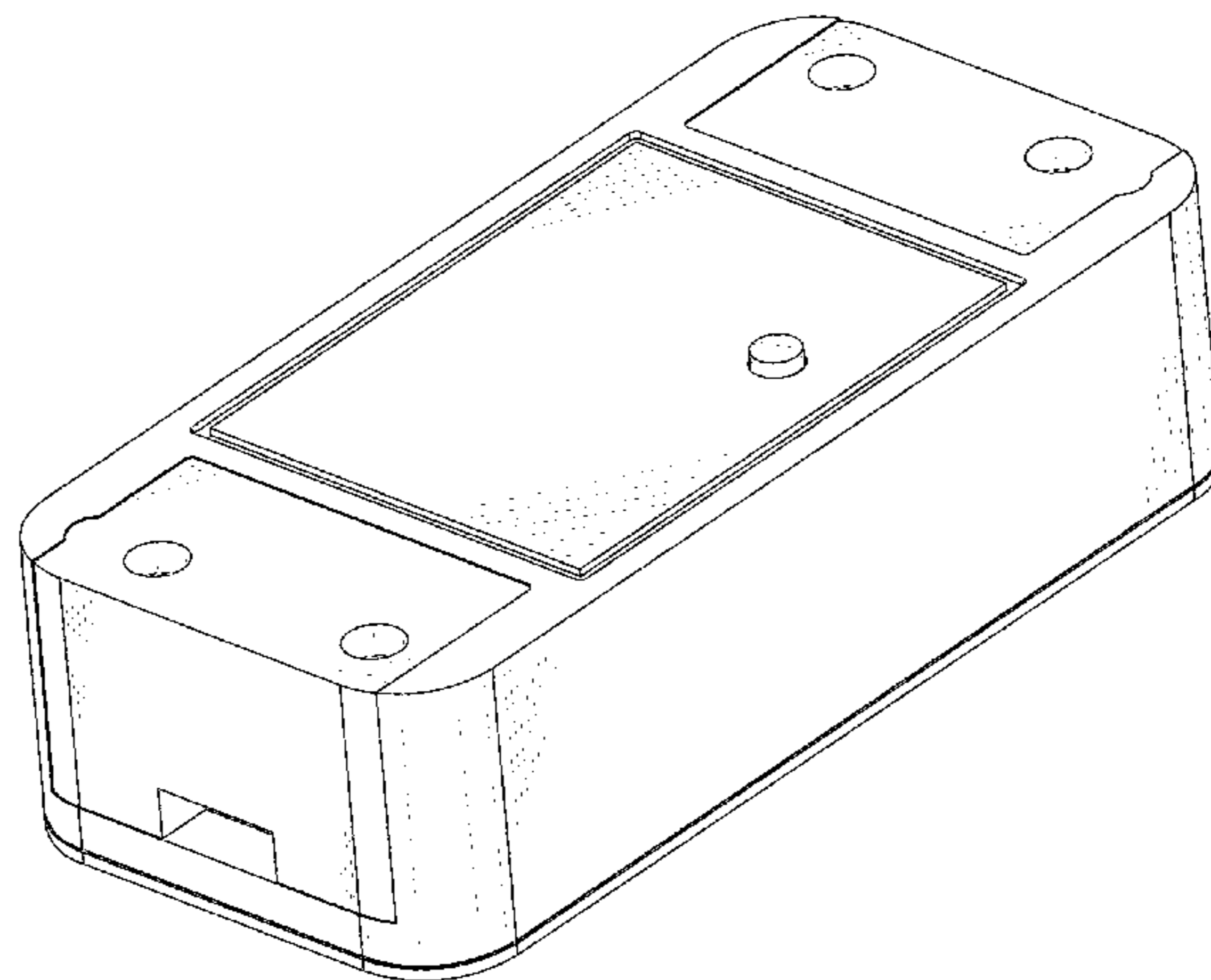
(57) **CLAIM**

The ornamental design for a WiFi switch, as shown and described.

DESCRIPTION

FIG. 1 is a perspective view of a WiFi switch showing my new design;
FIG. 2 is a front view thereof;
FIG. 3 is a back view thereof;
FIG. 4 is a left side view thereof;
FIG. 5 is a right side view thereof;
FIG. 6 is a top view thereof; and,
FIG. 7 is a bottom view thereof.
The broken lines in FIGS. 6 and 7 depict portions of the WiFi switch that form no part of the claim.

1 Claim, 7 Drawing Sheets



(56)

References Cited

U.S. PATENT DOCUMENTS

D497,881 S * 11/2004 Rishar D13/168
 D499,074 S * 11/2004 Cook D13/179
 D503,679 S * 4/2005 Andre D13/110
 D525,586 S * 7/2006 Blake D13/123
 D534,873 S * 1/2007 Merritt D13/162
 D535,627 S * 1/2007 Merritt D13/162
 D538,234 S * 3/2007 Aupperle D13/158
 D542,745 S * 5/2007 Barnes, Jr. D13/162
 D550,154 S * 9/2007 Pickard D13/110
 D553,347 S * 10/2007 Cooney D13/164
 D562,767 S * 2/2008 Grolmes D13/110
 D583,333 S * 12/2008 Halderman D13/158
 D588,076 S * 3/2009 Ollila D13/168
 D592,138 S * 5/2009 Mahaffey D13/110
 D607,416 S * 1/2010 Gentner D13/162
 D614,585 S * 4/2010 Kuroda D13/162
 D615,929 S * 5/2010 Maurer D13/110
 D617,288 S * 6/2010 Yang D13/159
 D626,921 S * 11/2010 Pang D13/158
 D637,553 S * 5/2011 Shin D13/107
 D660,806 S * 5/2012 Wong D13/162
 8,287,156 B2 * 10/2012 Chao H01J 61/327
 313/324
 D683,706 S * 6/2013 Kangas D13/159
 D684,129 S * 6/2013 Vincent D13/184
 D684,130 S * 6/2013 Vincent D13/184
 D705,719 S * 5/2014 Wong D13/103
 8,754,585 B1 * 6/2014 Bahrehmand H05B 33/0851
 315/287
 D713,360 S * 9/2014 Spira D13/168
 D717,742 S * 11/2014 Larkin D13/162
 D724,036 S * 3/2015 Cha D13/162
 D733,043 S * 6/2015 Hasbrook D13/103
 9,046,232 B2 * 6/2015 Melzner F21S 2/005
 D735,147 S * 7/2015 Willcocks D13/168
 D735,403 S * 7/2015 Che D13/110
 D737,223 S * 8/2015 Altonen D13/168
 D754,617 S * 4/2016 Altonen D13/168
 9,456,479 B1 * 9/2016 Peng H01H 19/08
 D768,581 S * 10/2016 Spira D13/168
 D772,088 S * 11/2016 Kono D10/100
 D772,174 S * 11/2016 Spira D13/168
 D774,470 S * 12/2016 Altonen D13/168
 D774,931 S * 12/2016 Kono D10/100
 D783,544 S * 4/2017 Peng D13/160
 D783,546 S * 4/2017 Peng D13/170
 D783,610 S * 4/2017 Zhou D14/240
 D785,573 S * 5/2017 Yu D13/162
 D789,339 S * 6/2017 Tang D14/240
 D798,234 S * 9/2017 Bryant D13/110
 D811,332 S * 2/2018 Siddiqui D13/123

D812,573 S * 3/2018 Amano D13/158
 D813,159 S * 3/2018 Vinciarelli D13/110
 D813,222 S * 3/2018 Driscoll D14/299
 D813,807 S * 3/2018 Spiegel D13/110
 D815,077 S * 4/2018 Sibley D14/242
 D818,971 S * 5/2018 Peng D13/171
 D826,855 S * 8/2018 Xu D13/110
 D830,299 S * 10/2018 Banayan D13/110
 D836,092 S * 12/2018 Erbacher D14/242
 D836,542 S * 12/2018 Xu D13/107
 D837,152 S * 1/2019 Wegerer D13/110
 D837,734 S * 1/2019 Vinciarelli D13/110
 D839,841 S * 2/2019 Choi D13/159
 D839,842 S * 2/2019 Choi D13/159
 D841,583 S * 2/2019 Spiegel D13/110
 D842,245 S * 3/2019 Spiegel D13/110
 2012/0062133 A1 * 3/2012 Cubias H05B 33/0809
 315/201
 2015/0223301 A1 * 8/2015 Maa H05B 33/0842
 315/112
 2016/0374180 A1 * 12/2016 Feng H05B 37/0272

OTHER PUBLICATIONS

Wifi AC Dimmer Two Triac Board mini from Armtronix on Tindie. .tindie.com. (online) 4 pgs. reviewed Jan. 22, 2018 [Retrieved on Mar. 28, 2019] <https://www.tindie.com/products/Armtronix/wifi-ac-dimmer-two-triac-board-mini/>. *

Switches. (Design—© Questel) orbit.com.[online PDF] 19 pgs. Print Dates range Aug. 13, 2014 to Jan. 7, 2019. [Retrieved on Mar. 28, 2019] <https://sobjprd.questel.fr/export/QPTUJ214/pdf2/3ee4b0fe-8256-48c3-91f2-c553b9de1657-205701.pdf>. *

eMylo Smart Wireless Wifi Remote Controlled Switch. amazon.com. (online) 13 pgs. Date first available Mar. 26, 2018 [Retrieved on Mar. 29, 2019] <https://www.amazon.com/eMylo-Wireless-Remote-Controlled-Switch/dp/B07BQL7KLK>. *

“LED Controllers. (Design-Questel)orbit.com.[online PDF] 12 pages.”, Print Dates range Aug. 13, 2014 to Jan. 7, 2019. [Retrieved on Mar. 28, 2019] <https://sobjprd.questel.fr/export/QPTUJ214/pdf2/2f3ee74-1d51-4c0a-8cf3-b1775b8796f6-210344.pdf>, Aug. 13, 2014, 12 pgs.

“This RGB Light strip controller surprised me”, Drews Reviews. youtube.com.(online-video) 1 pg. posted Nov. 30, 2017 [Retrieved on Mar. 28, 2019] <https://www.youtube.com/watch?v=KZ8j9Kmt624>, Nov. 30, 2017, 1 page.

“Zombber WiFe LED Smart Controller for 5050 RGB Strip Lights”, Amazon.com.(online) 1 pg. posted Nov. 30, 2017 [Retrieved on Mar. 28, 2019] https://www.amazon.com/Zombber-Wireless-Controller-Compatible-Support/dp/B07BRWTQCS/ref=sr_1_3?keywords=Zengge+Co.+%2C+Limited&qid=1553802250&s=gateway&sr=8-3, Nov. 30, 2017.

* cited by examiner

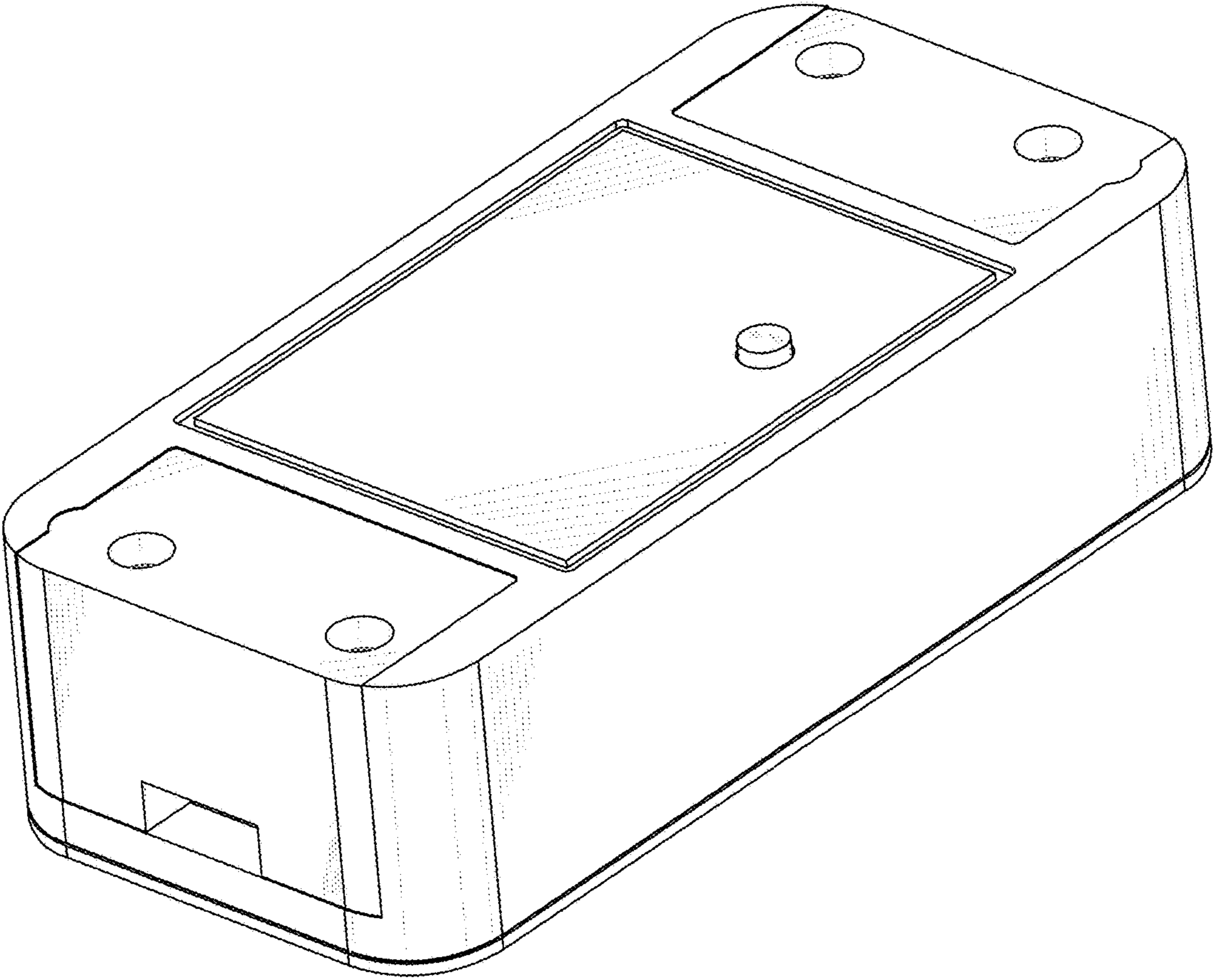


FIG.1

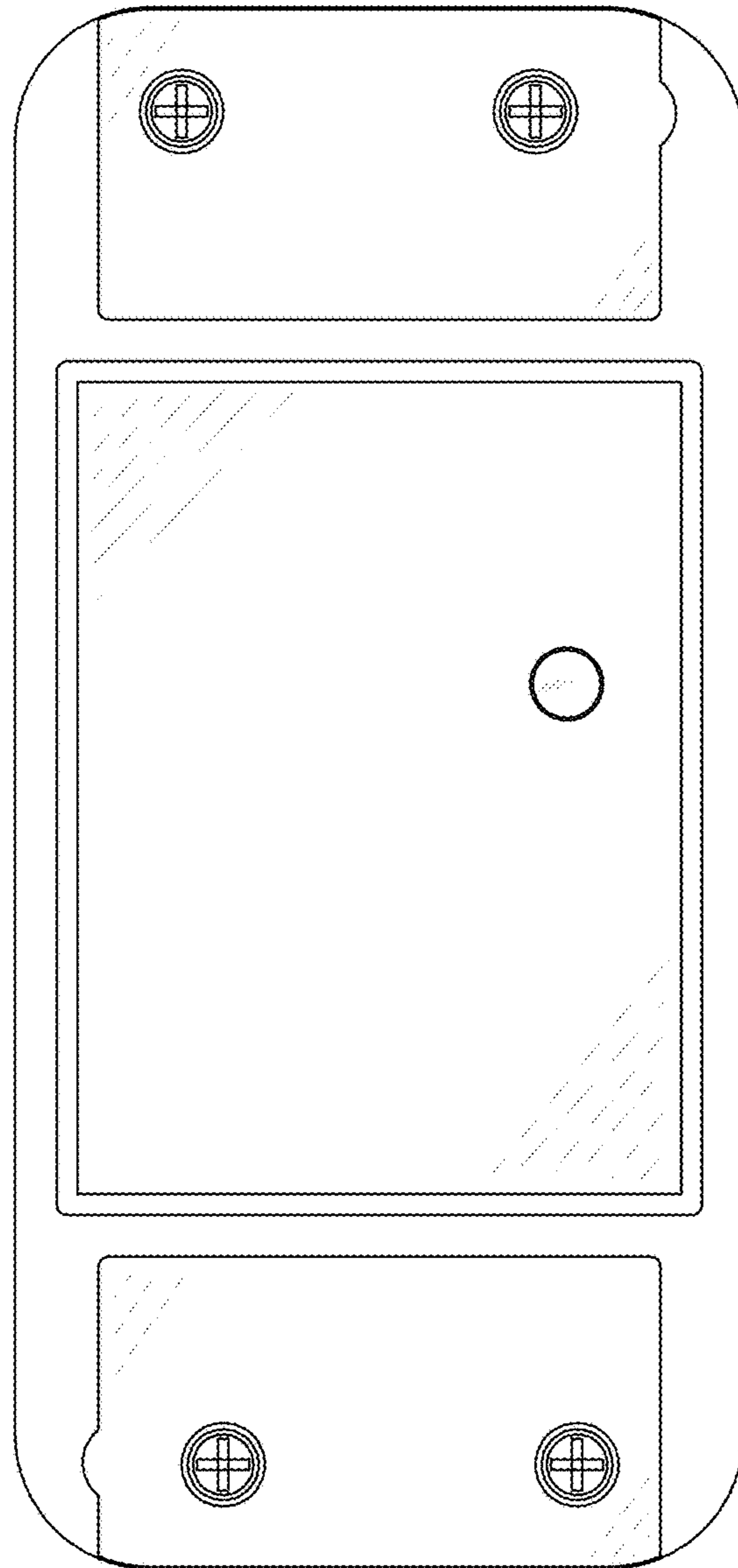


FIG. 2



FIG.3

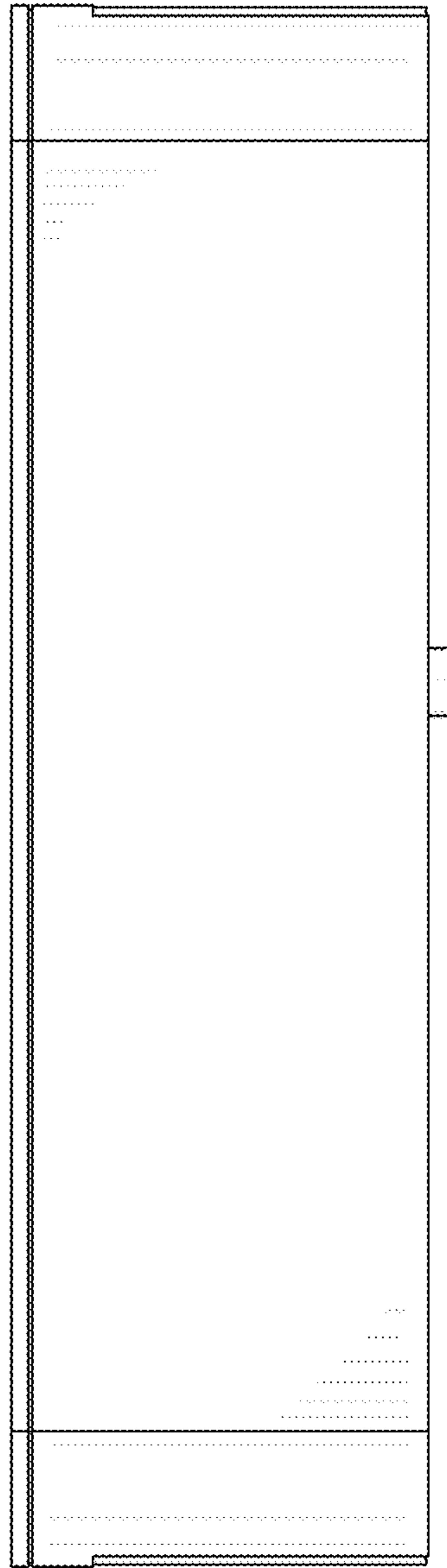


FIG.4

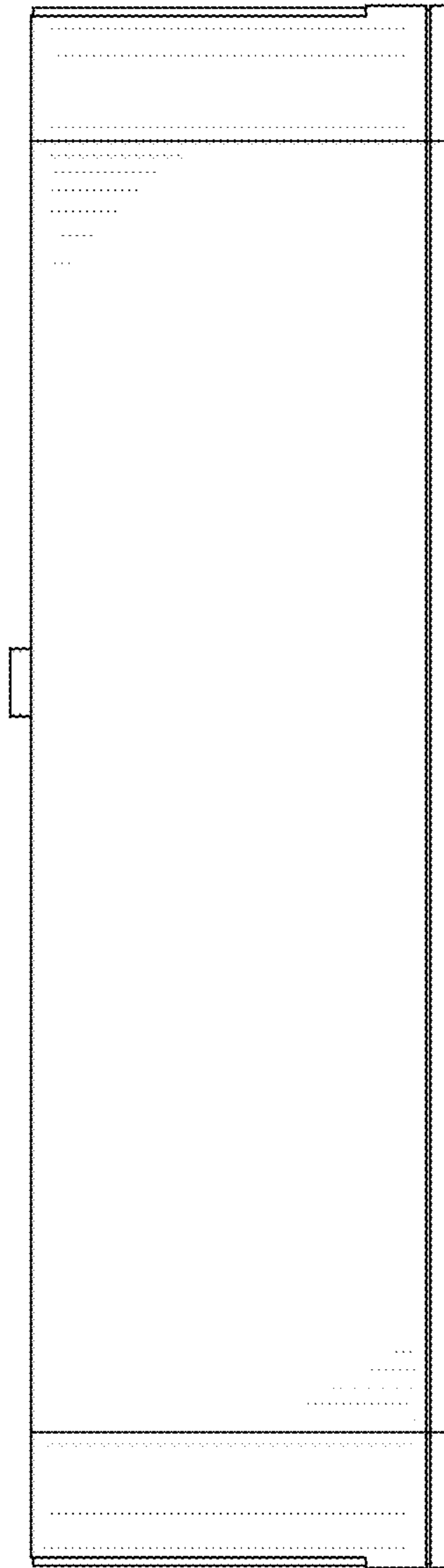


FIG.5

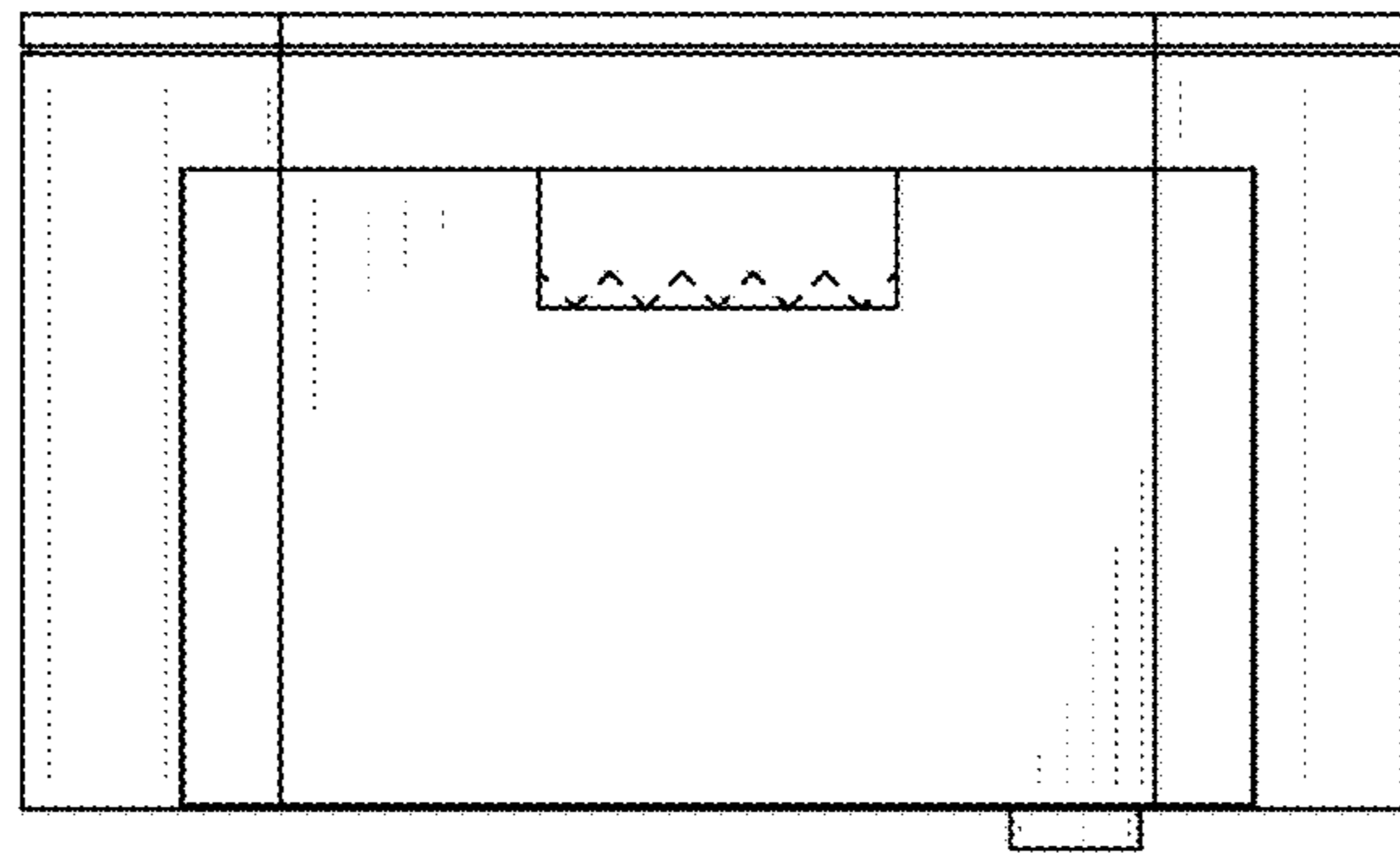


FIG.6

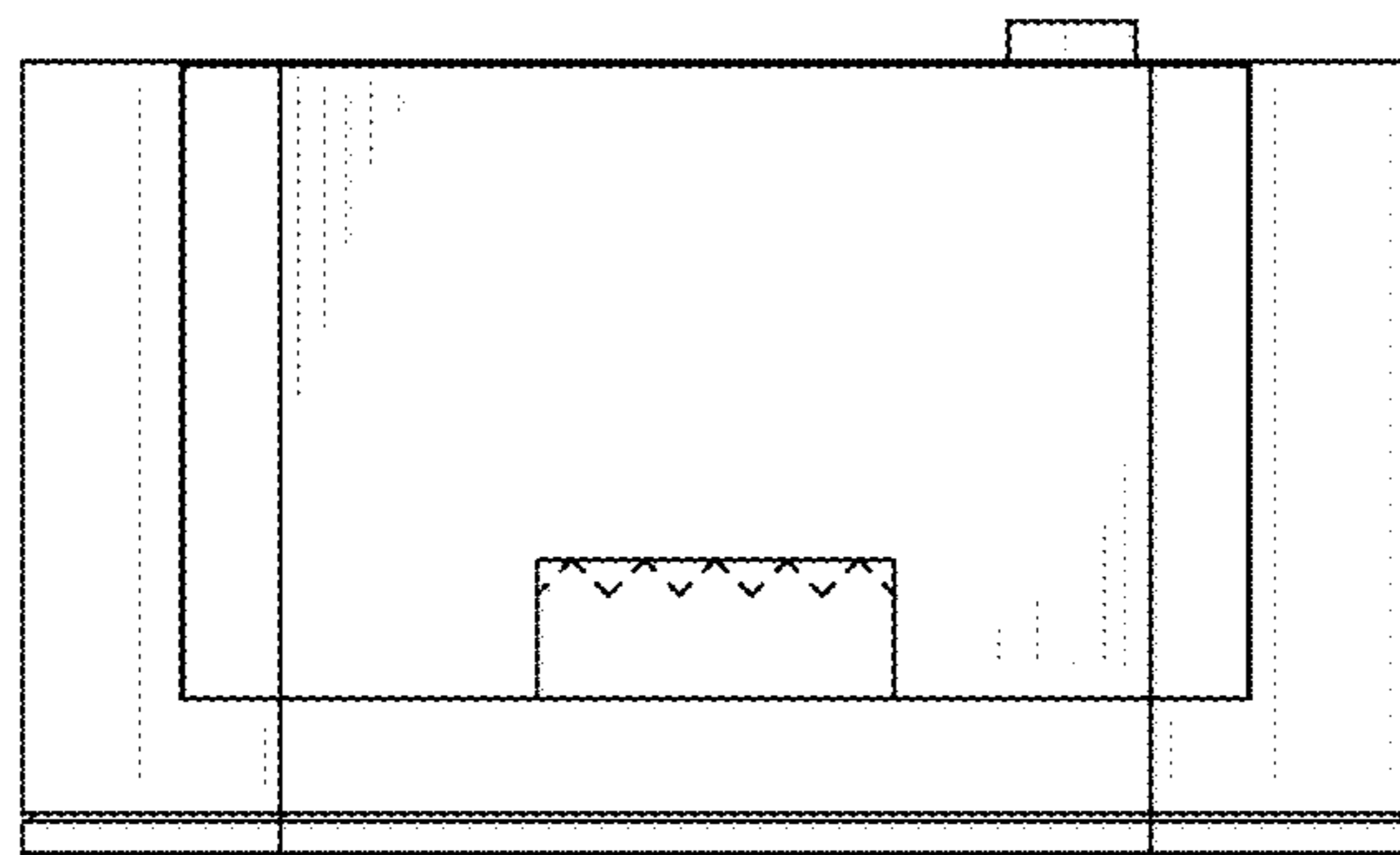


FIG. 7