



US00D868706S

(12) **United States Design Patent**
Hagarty

(10) **Patent No.:** **US D868,706 S**
(45) **Date of Patent:** **** Dec. 3, 2019**

(54) **DOUBLE GANG EXTENSION RING**

(71) Applicant: **RANDL Industries, Inc.**, Spokane Valley, WA (US)

(72) Inventor: **Robert J. Hagarty**, Spokane, WA (US)

(73) Assignee: **RANDL Industries, Inc.**, Spokane Valley, WA (US)

(**) Term: **15 Years**

(21) Appl. No.: **29/635,303**

(22) Filed: **Jan. 30, 2018**

Related U.S. Application Data

(62) Division of application No. 29/507,986, filed on Oct. 31, 2014, now Pat. No. Des. 810,696.

(51) **LOC (12) Cl.** **13-03**

(52) **U.S. Cl.**
USPC **D13/156**

(58) **Field of Classification Search**
USPC D13/156, 133, 152, 154, 173, 177, 184,
D13/199; 174/53, 55, 58, 66, 67, 68.1,
174/82, 535, 559; 220/3.2, 3.3, 3.5, 3.6,
220/3.9; 248/27.1; 439/527, 535, 536,
439/537

CPC .. H02G 3/08; H02G 3/14; H02G 3/18; H02G
3/20; H02G 3/081; H02G 3/086; H02G
3/088; H02G 3/121; H02G 3/125; H02G
15/10; H01H 9/02; H05K 7/14; Y10S
248/906; G02B 6/443; G02B 6/4442;
G02B 6/4445; H01R 13/72
See application file for complete search history.

(56) **References Cited**

U.S. PATENT DOCUMENTS

3,257,497 A * 6/1966 Chase H01R 13/72
174/66
4,135,337 A * 1/1979 Medlin H02G 3/125
220/3.3

4,399,922 A 8/1983 Horsley
4,603,789 A 8/1986 Medlin, Sr.
4,613,728 A 9/1986 Lathrop
4,790,505 A 12/1988 Rose
4,964,525 A * 10/1990 Coffey H02G 3/125
220/3.9
5,098,046 A 3/1992 Webb
5,189,259 A 2/1993 Carson
(Continued)

OTHER PUBLICATIONS

Hagarty, R.J., "Single Gang Extension Ring," U.S. Appl. No. 29/507,982, filed Oct. 31, 2014.

Primary Examiner — Derrick E Holland

(74) *Attorney, Agent, or Firm* — Christensen O'Connor Johnson Kindness, PLLC

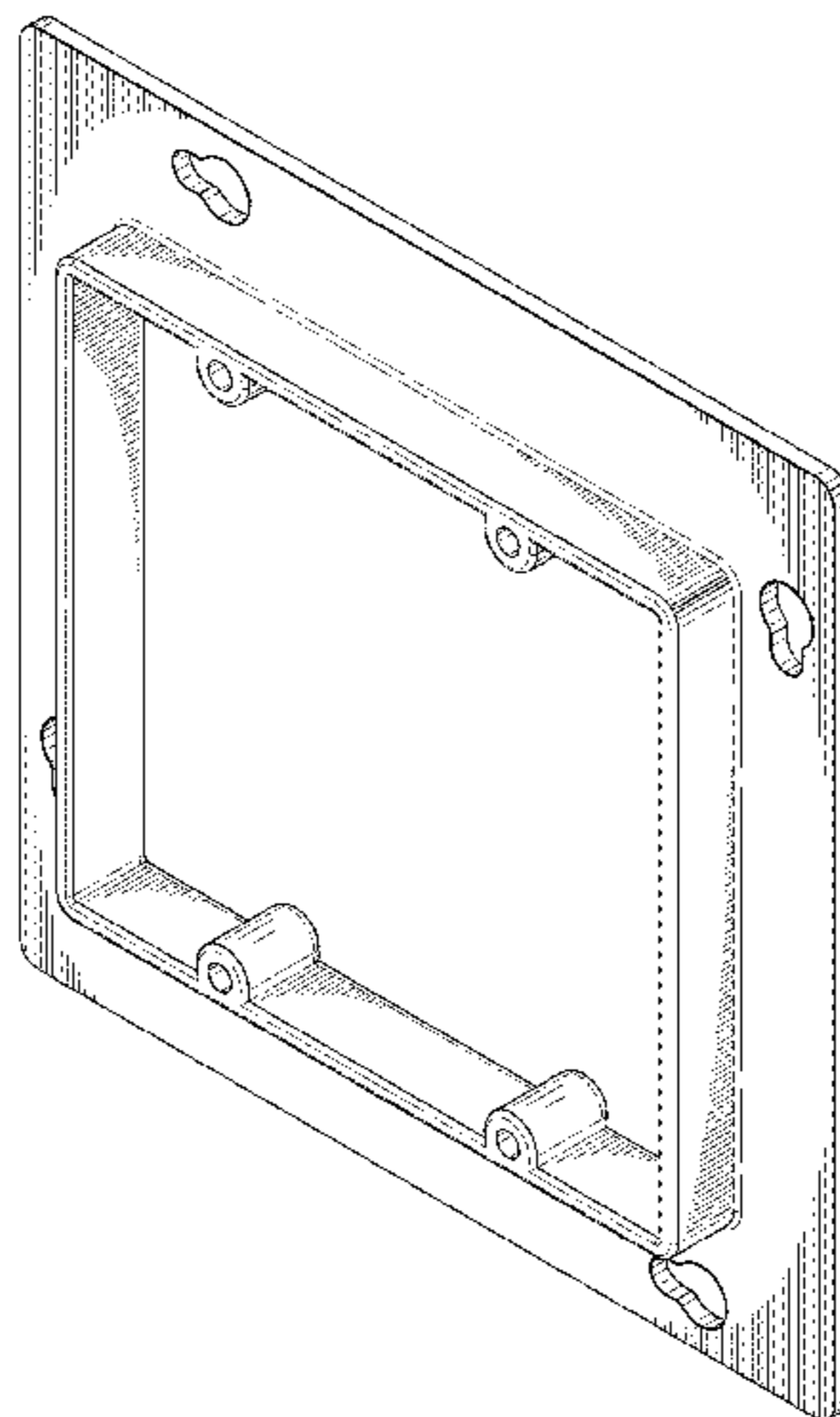
(57) **CLAIM**

The ornamental design for a double gang extension ring, as shown.

DESCRIPTION

FIG. 1 is a front-right perspective view of a double gang extension ring in accordance with the present design;
FIG. 2 is a rear-left perspective view of the double gang extension ring shown in FIG. 1;
FIG. 3 is a front view of the double gang extension ring shown in FIG. 1;
FIG. 4 is a rear view of the double gang extension ring shown in FIG. 1;
FIG. 5 is a top plan view of the double gang extension ring shown in FIG. 1;
FIG. 6 is a bottom plan view of the double gang extension ring shown in FIG. 1;
FIG. 7 is a left side view of the double gang extension ring shown in FIG. 1; and,
FIG. 8 is a right side view of the double gang extension ring shown in FIG. 1.

1 Claim, 5 Drawing Sheets



(56)

References Cited

U.S. PATENT DOCUMENTS

5,263,676 A	11/1993	Medlin	6,858,802 B2	2/2005	Hagarty	
D342,938 S	1/1994	Cheatham	D528,513 S	9/2006	Grendahl	
5,423,499 A	6/1995	Webb	D540,654 S	4/2007	Aubert Capella	
5,525,754 A	6/1996	Akins	D545,276 S	6/2007	Dinh	
D379,622 S	6/1997	Lynn	7,271,336 B2	9/2007	Dinh	
5,663,525 A	9/1997	Newman	D555,108 S	11/2007	Strong	
5,931,325 A	8/1999	Filipov	7,301,099 B1	11/2007	Korcz	
5,965,844 A *	10/1999	Lippa	7,495,170 B2	2/2009	Dinh	
		H02G 3/14	D588,067 S	3/2009	Seropian	
		174/481	D597,960 S	8/2009	Dinh	
6,066,803 A	5/2000	Hagarty	7,645,936 B2	1/2010	Magno, Jr.	
6,103,972 A	8/2000	Hagarty	8,253,040 B2	8/2012	Hopkins	
6,164,475 A	12/2000	Jorgensen	D698,737 S	2/2014	Hagarty	
6,379,166 B1	4/2002	Hagarty	D707,635 S	6/2014	Hagarty	
6,384,334 B1	5/2002	Webb	D719,528 S	12/2014	Hagarty	
D462,939 S	9/2002	Dinh	D719,529 S	12/2014	Hagarty	
6,573,449 B2	6/2003	Vrame	D732,482 S	6/2015	Hagarty	
6,590,155 B2	7/2003	Vrame	D736,715 S *	8/2015	Gretz	D13/152
6,608,252 B2	8/2003	Hurley	D738,317 S	9/2015	Hagarty	
D493,695 S	8/2004	Wengrower	D745,466 S	12/2015	Hagarty	
			D766,186 S *	9/2016	Hagarty	D13/152
			D801,284 S	10/2017	Hagarty	

* cited by examiner

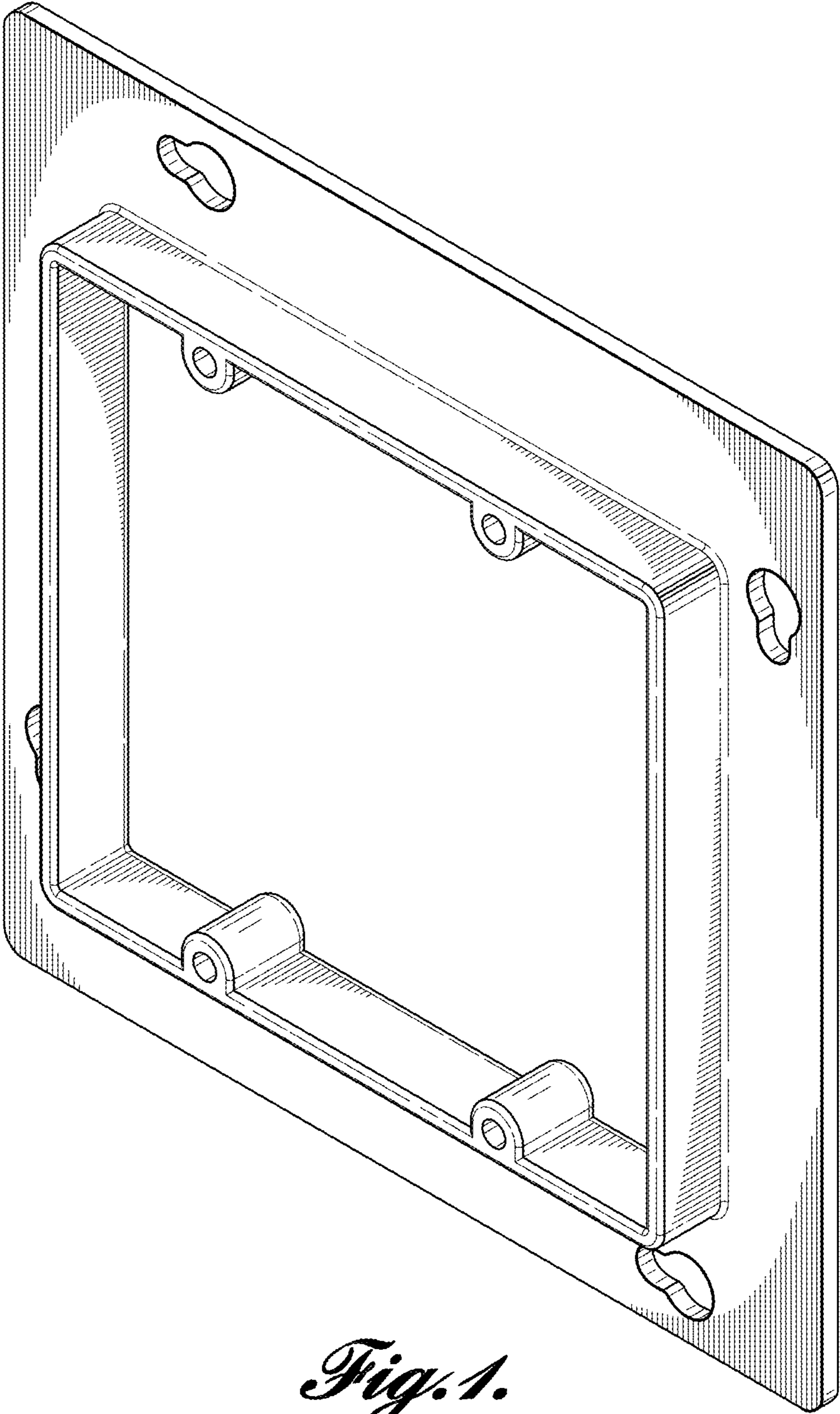


Fig. 1.

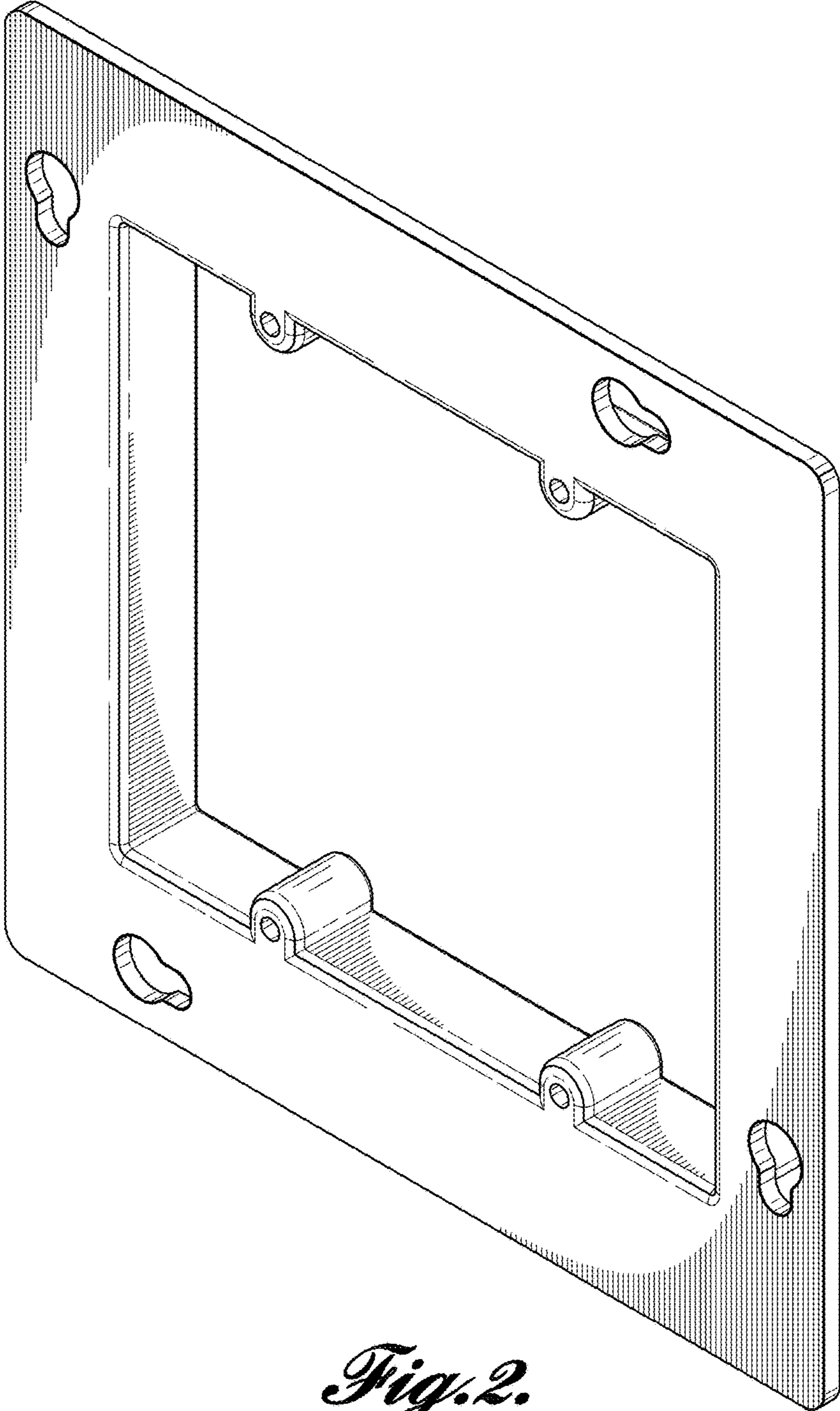


Fig. 2.

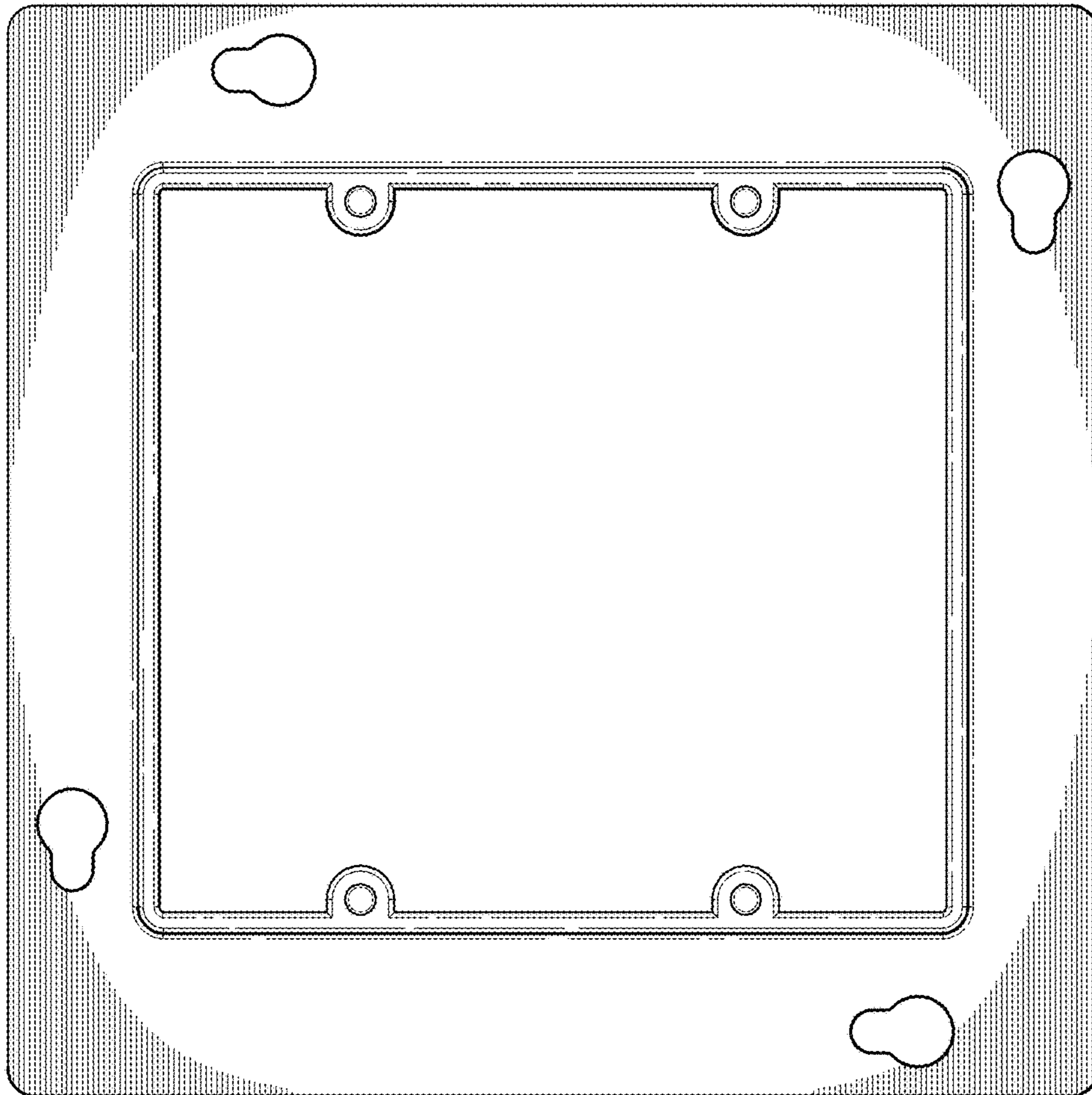


Fig. 3.

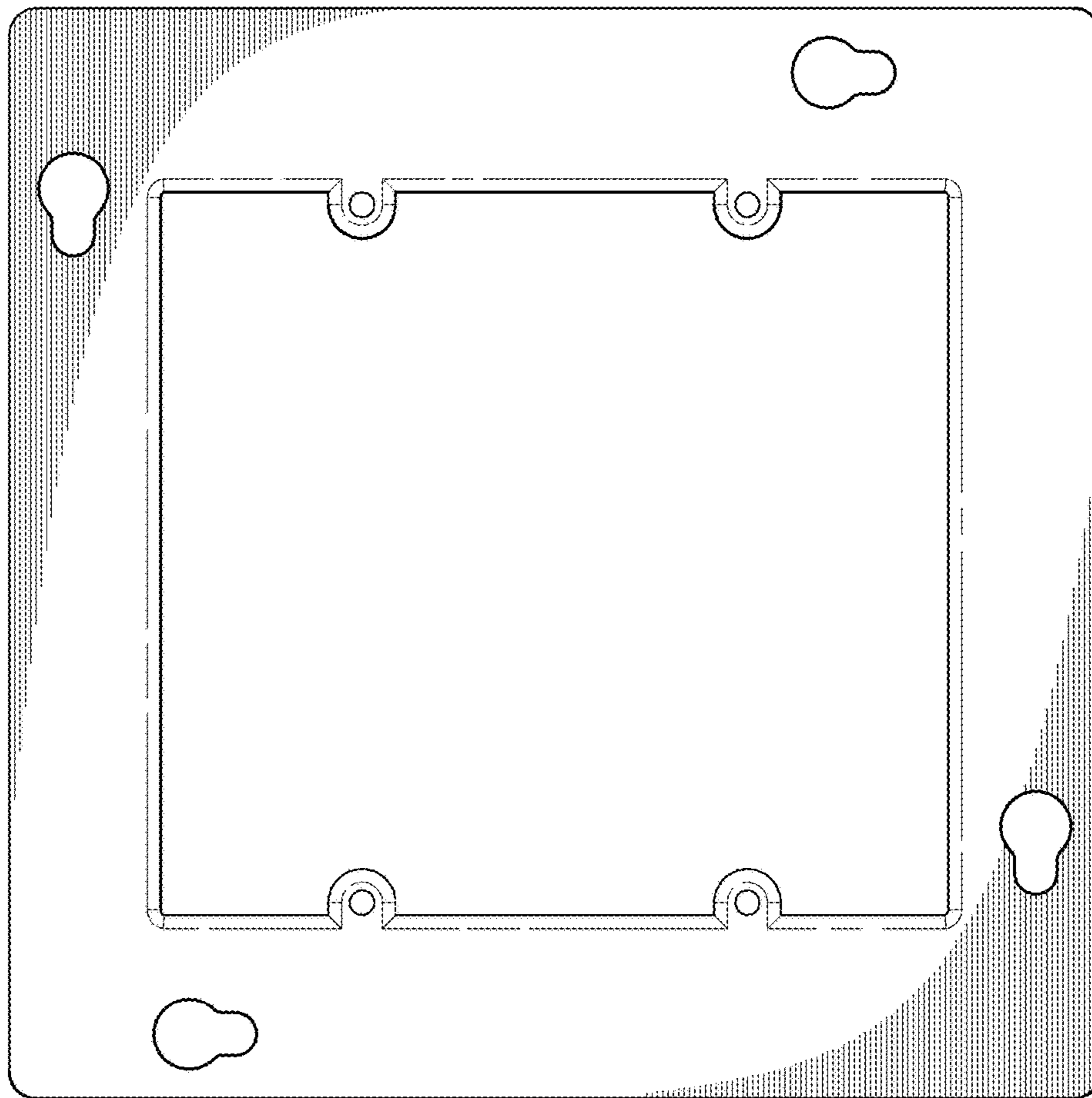


Fig. 4.

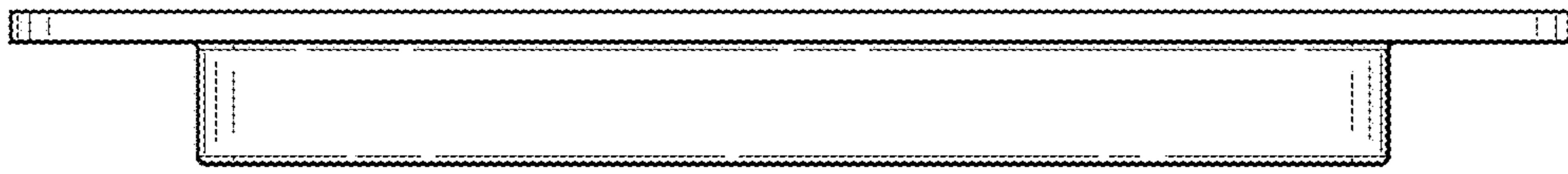


Fig. 5.

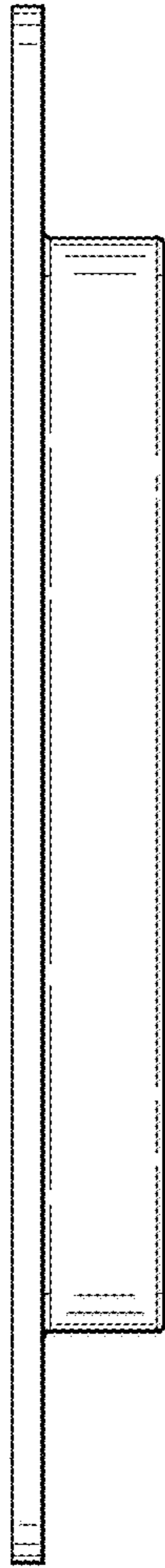


Fig. 7.

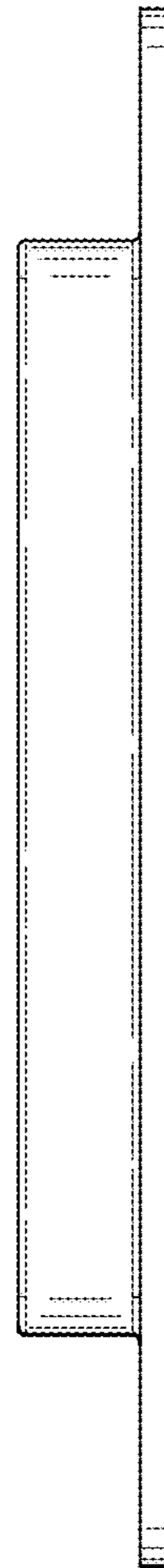


Fig. 8.

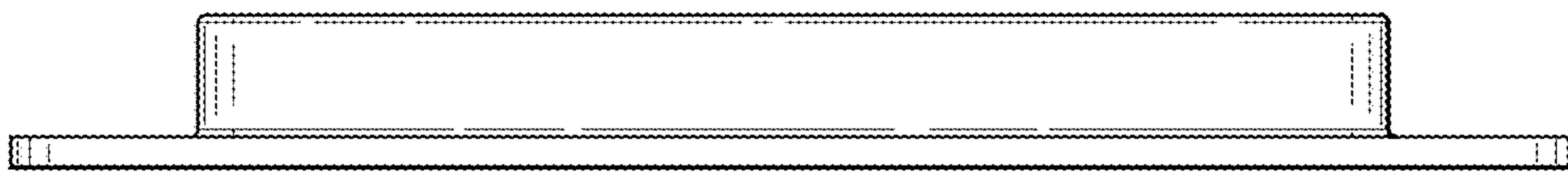


Fig. 6.