



US00D868704S

(12) **United States Design Patent**
DeJong et al.

(10) **Patent No.:** **US D868,704 S**

(45) **Date of Patent:** **** Dec. 3, 2019**

(54) **CAP FOR OPTICAL FIBER CONNECTORS**

8,323,042 B2 * 12/2012 Lin H01R 13/443
439/133

(71) Applicant: **Corning Research & Development Corporation**, Corning, NY (US)

8,374,478 B2 * 2/2013 Marcouiller G02B 6/3849
385/139

(72) Inventors: **Michael DeJong**, Colleyville, TX (US);
Wolf Peter Kluwe, Hagen (DE);
Terence Lup-ho Kwan, San Francisco, CA (US); **Matthew Wallace Peterson**,
San Francisco, CA (US); **Dayne Wilcox**, El Cerrito, CA (US)

D772,170 S 11/2016 Watanabe et al.
D800,072 S * 10/2017 Moore D13/156
9,823,425 B2 * 11/2017 Xiao G02B 6/3849

(Continued)

FOREIGN PATENT DOCUMENTS

(73) Assignee: **Corning Research & Development Corporation**, Charlotte, NC (US)

JP 2001013373 A 1/2001
JP 2001235653 A 8/2001
JP 04060992 B2 3/2008

(**) Term: **15 Years**

Primary Examiner — Derrick E Holland

Assistant Examiner — Jennifer O King

(74) *Attorney, Agent, or Firm* — Adam R. Weeks

(21) Appl. No.: **29/626,187**

(57) **CLAIM**

(22) Filed: **Nov. 15, 2017**

The ornamental design for a cap for optical fiber connectors,
as shown and described.

(51) **LOC (12) Cl.** **13-03**

(52) **U.S. Cl.**
USPC **D13/156**

DESCRIPTION

(58) **Field of Classification Search**
USPC 385/49; 359/511, 513; 439/148;
D13/155, 153, 133, 156, 139.4, 139.1,
D13/108, 147, 154, 199; D8/356
CPC G02B 6/3849; H01R 13/5213
See application file for complete search history.

FIG. 1 is a perspective view of a cap for an optical fiber connectors;
FIG. 2 is another perspective view thereof, illustrating the cap in use;
FIG. 3 is a front side elevation view thereof;
FIG. 4 is a back side elevation view thereof;
FIG. 5 is a right side elevation view thereof;
FIG. 6 is a left side elevation view thereof;
FIG. 7 is a top plan view thereof; and,
FIG. 8 is a bottom view thereof.

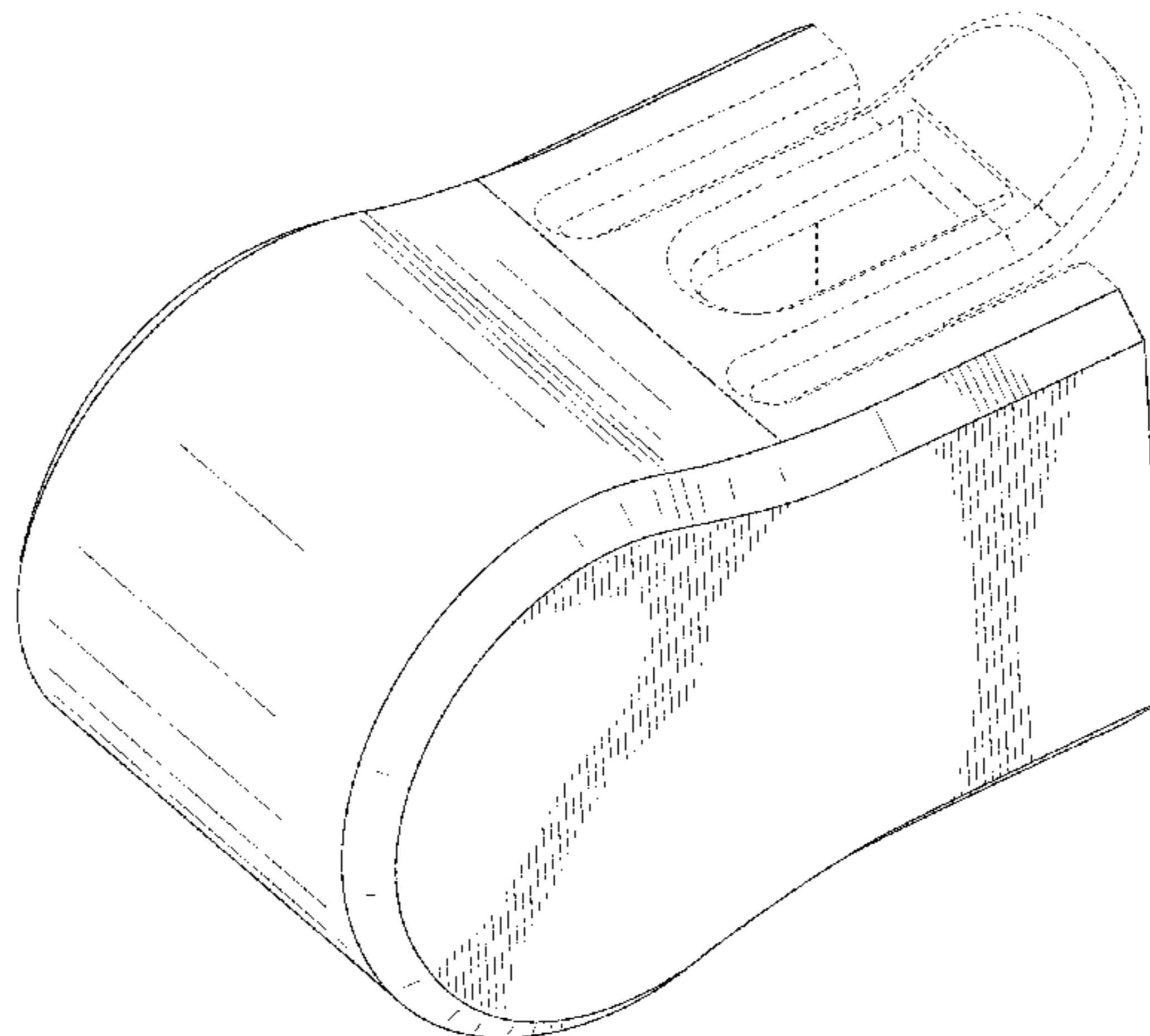
(56) **References Cited**

U.S. PATENT DOCUMENTS

6,309,247 B1 * 10/2001 Wang H01R 13/5213
439/135
D459,318 S * 6/2002 Theuerkorn D13/199
6,398,422 B1 * 6/2002 Szilagyi G02B 6/3849
385/76
6,547,450 B2 4/2003 Lampert
7,164,840 B2 1/2007 Hsieh
D572,661 S 7/2008 En Lin et al.
8,105,097 B2 * 1/2012 Thijs H01R 13/443
439/133

The dash-dash broken lines shown represent portions of the cap for optical fiber connectors that form no part of the claimed design. Where the dash-dot broken lines abut the shaded surface it is understood that those broken lines represent an unclaimed boundary between claimed and unclaimed surfaces. None of the broken lines form any part of the claimed design.

1 Claim, 8 Drawing Sheets



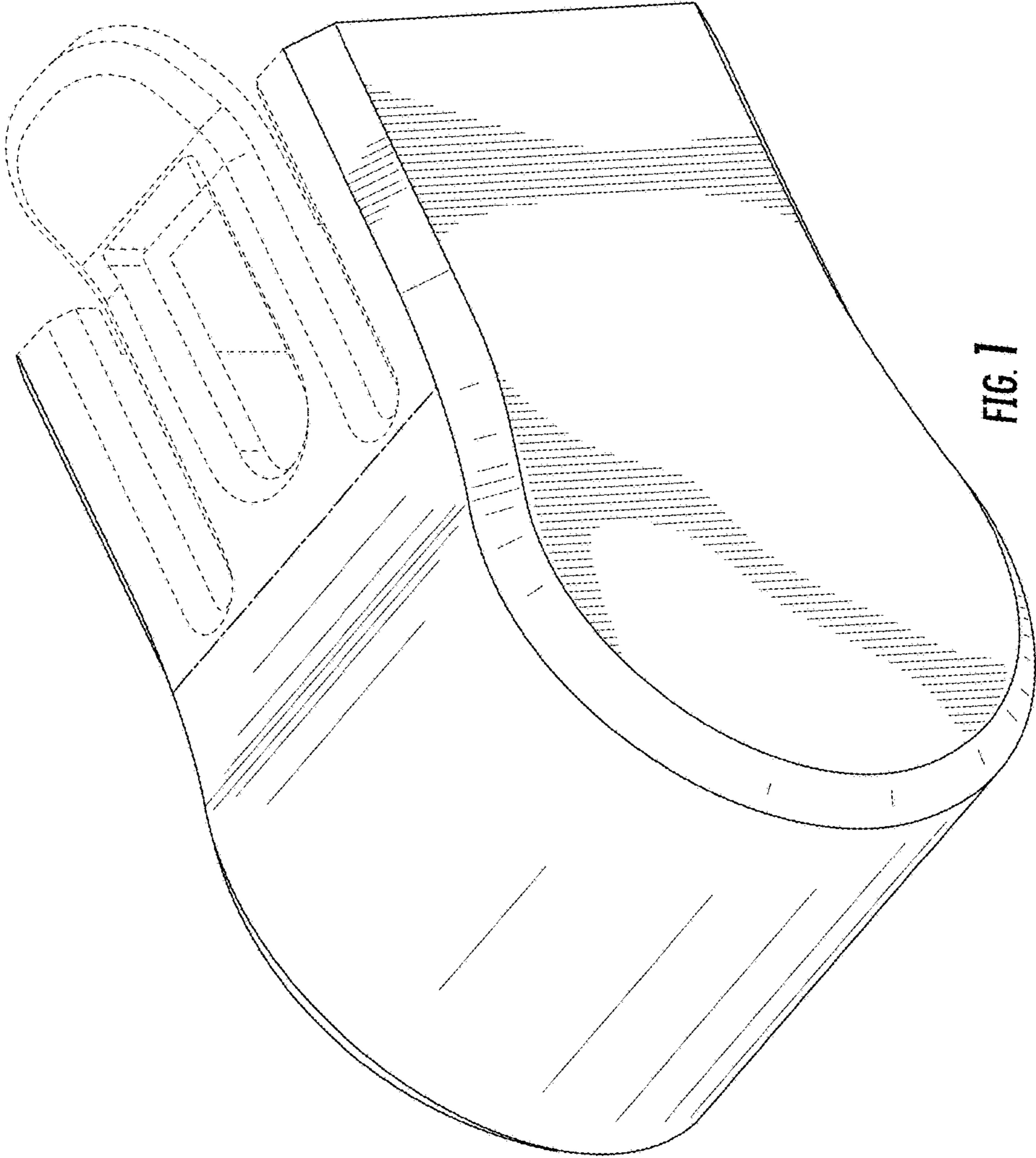
(56)

References Cited

U.S. PATENT DOCUMENTS

2002/0058433 A1* 5/2002 O'Malley H01R 13/443
439/148
2011/0188813 A1* 8/2011 Marcouiller G02B 6/3849
385/78

* cited by examiner



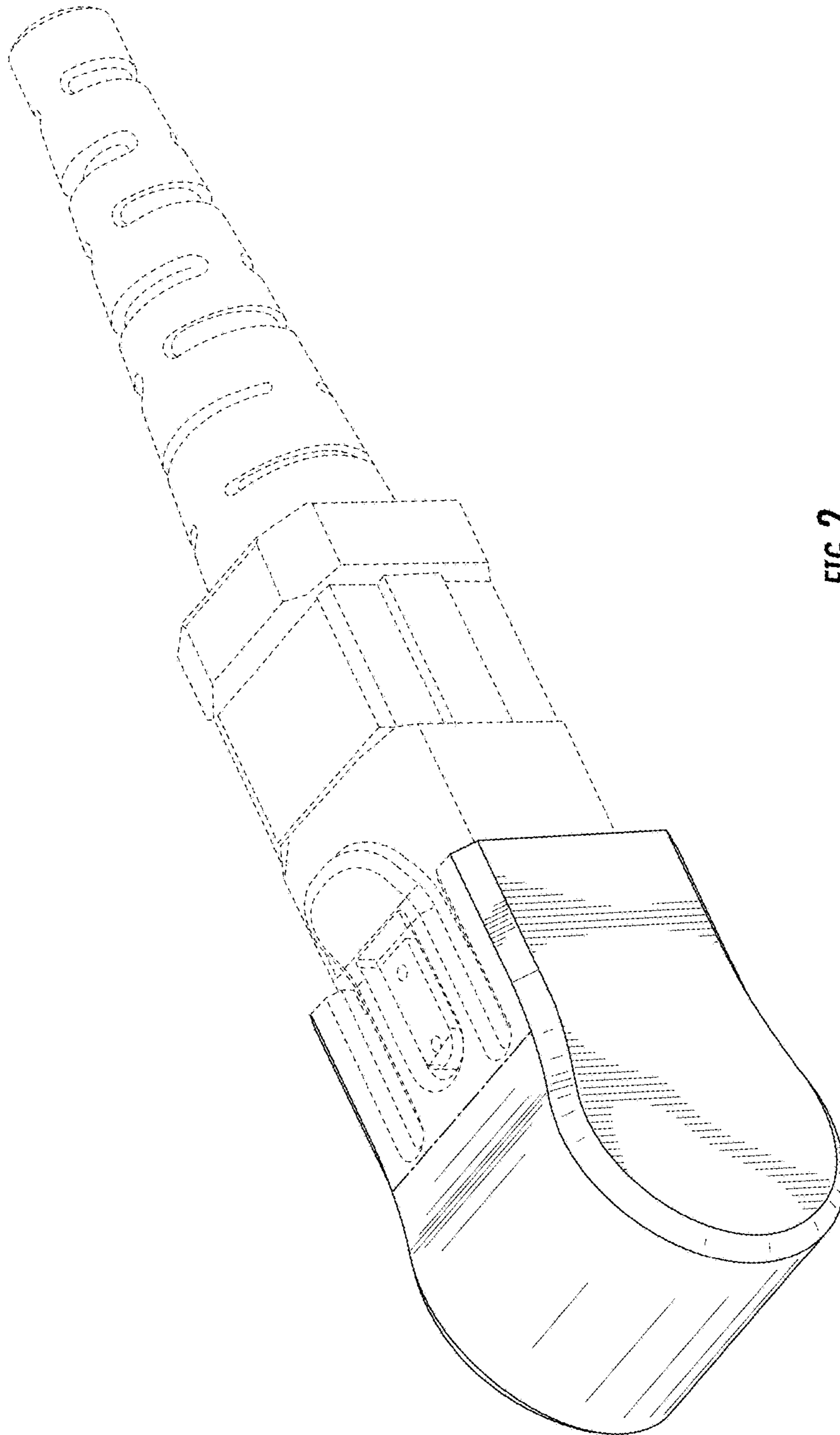


FIG. 2

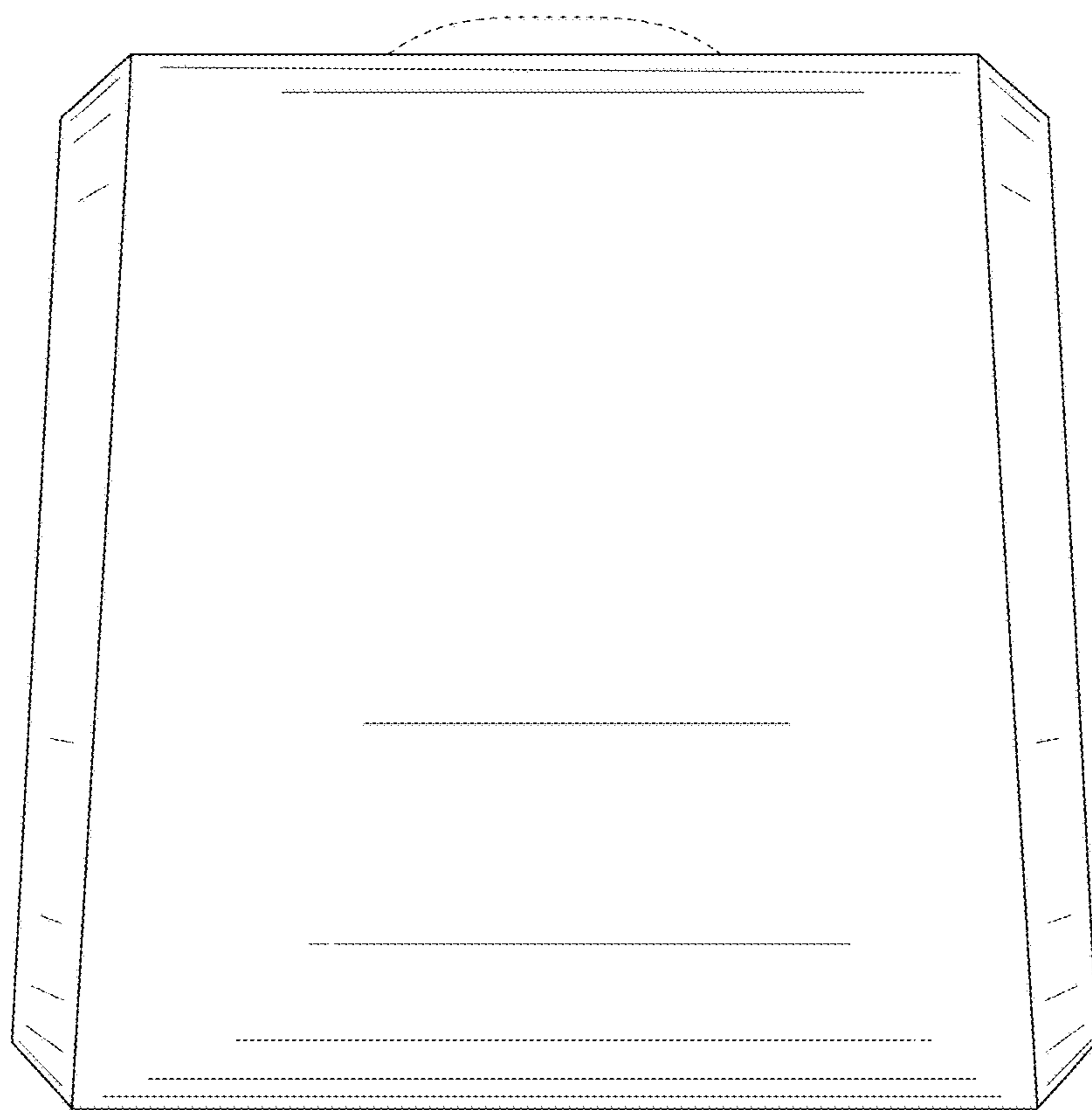


FIG. 3

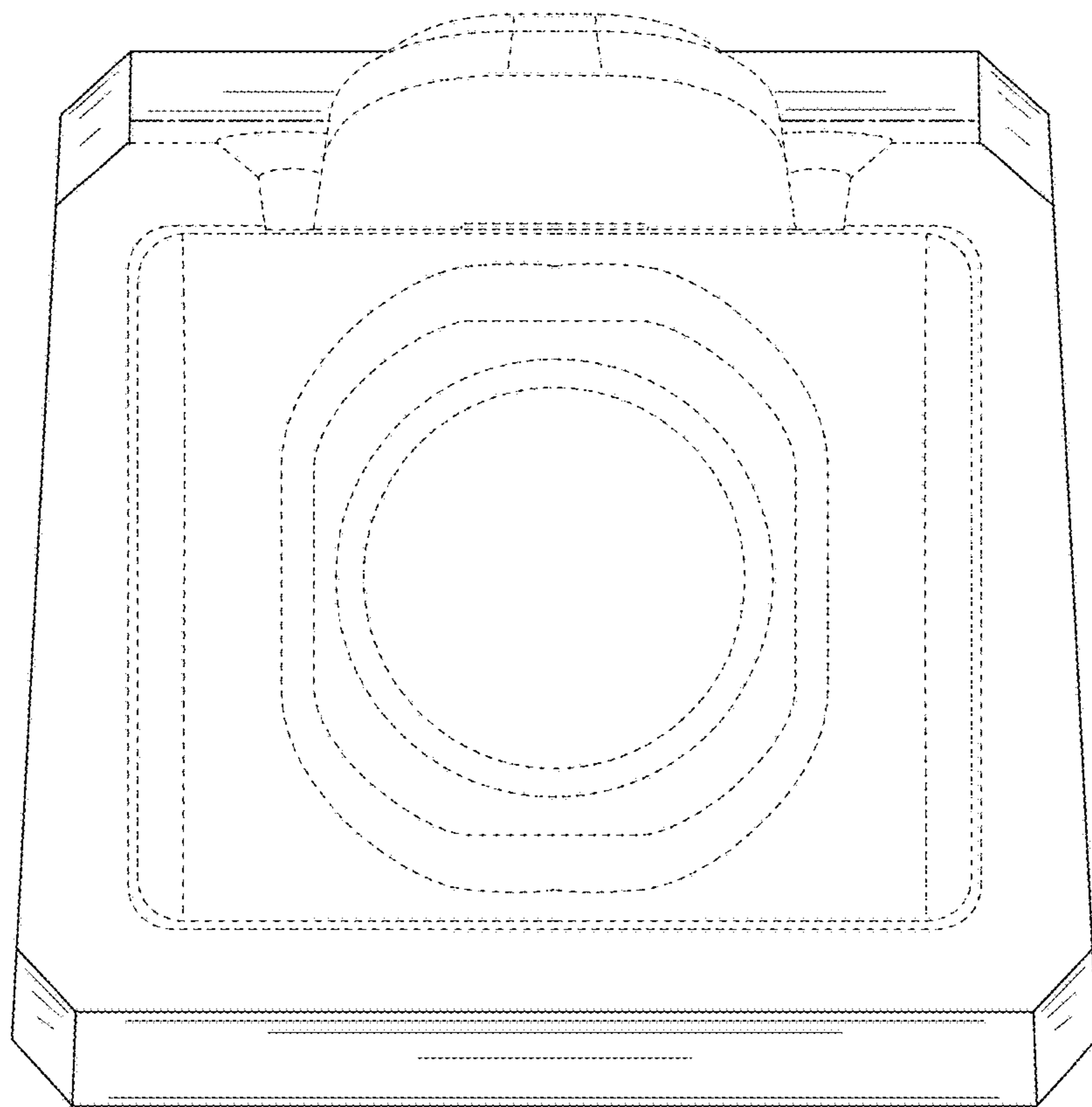


FIG. 4

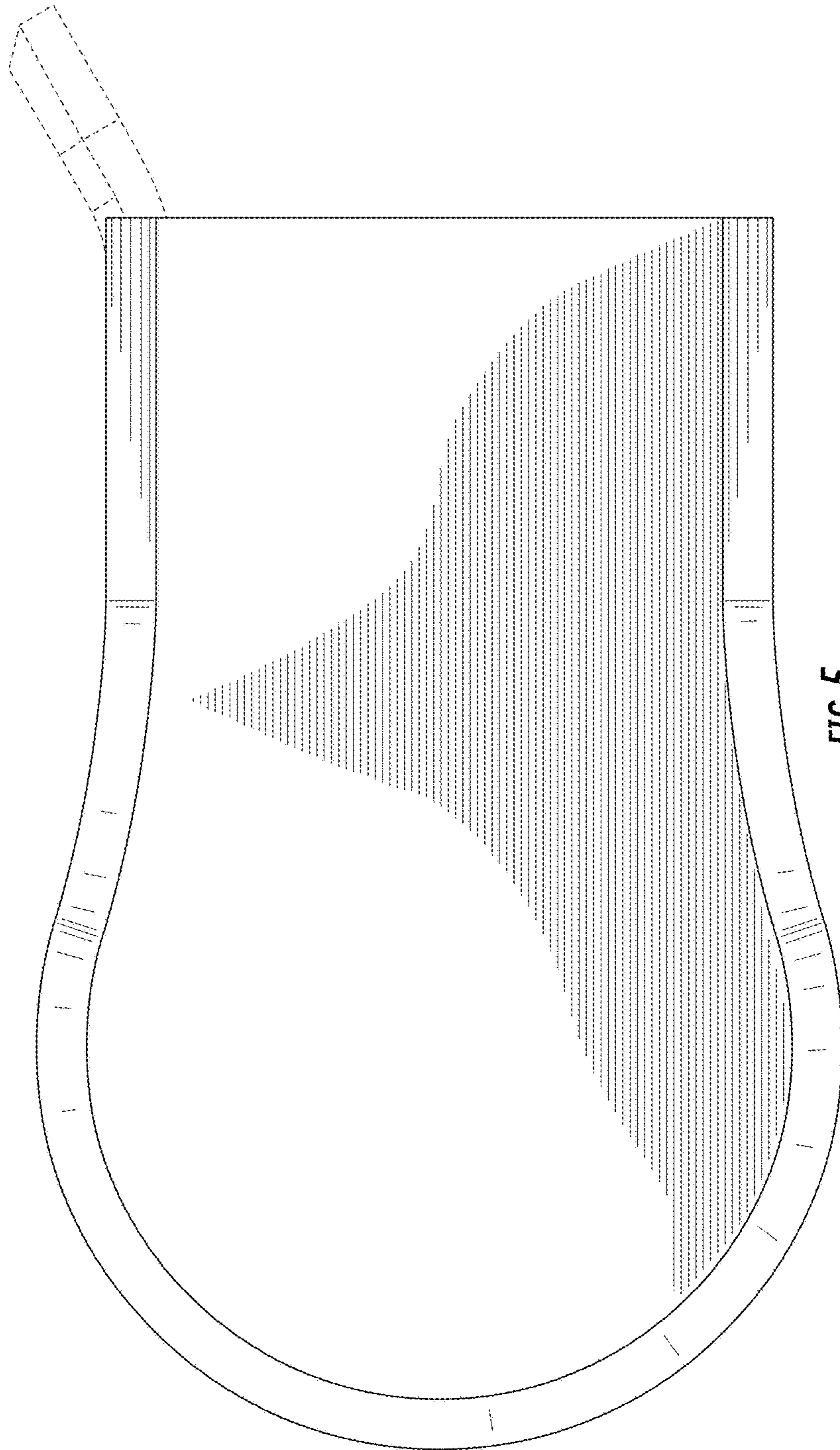


FIG. 5

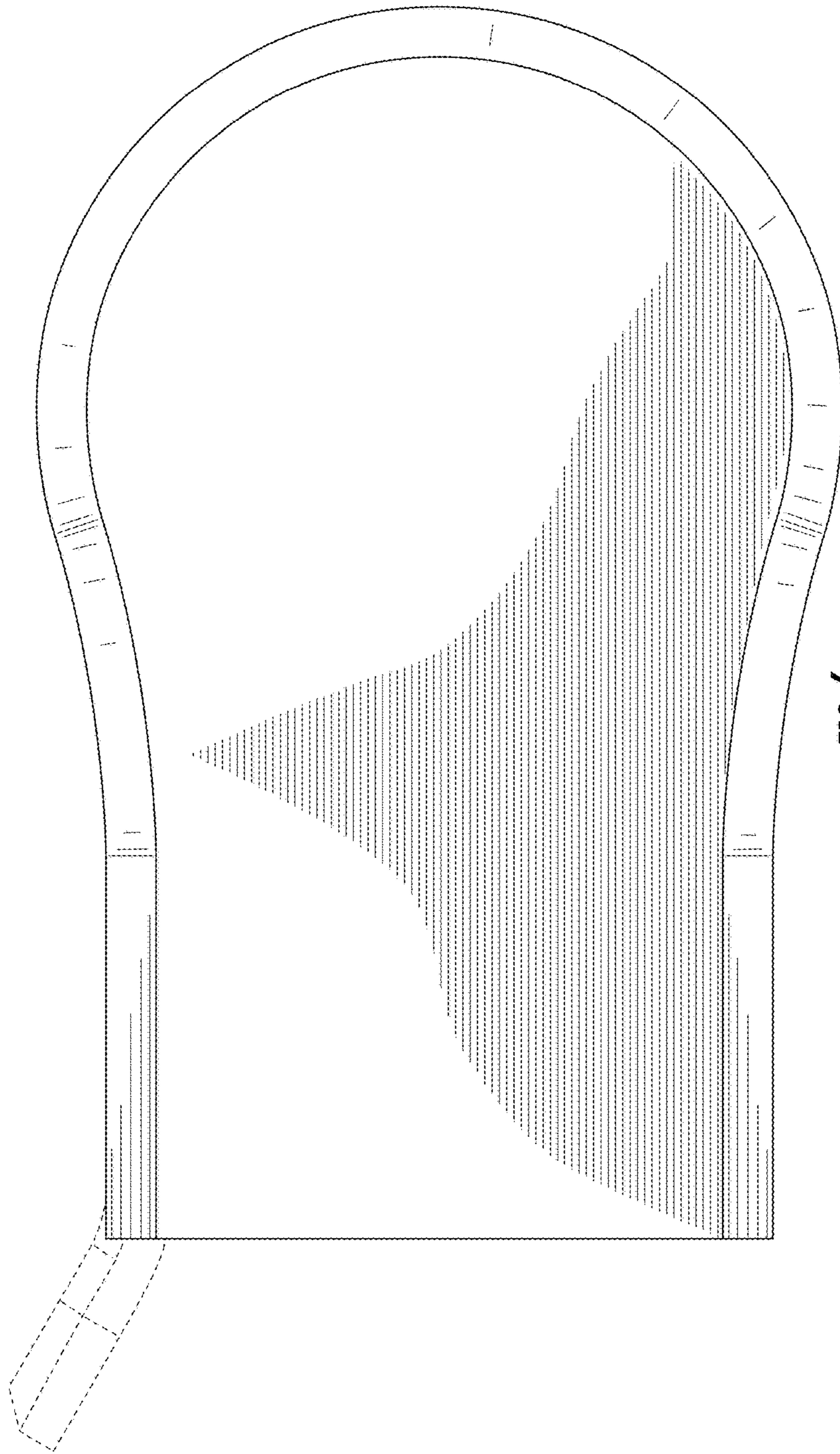


FIG. 6

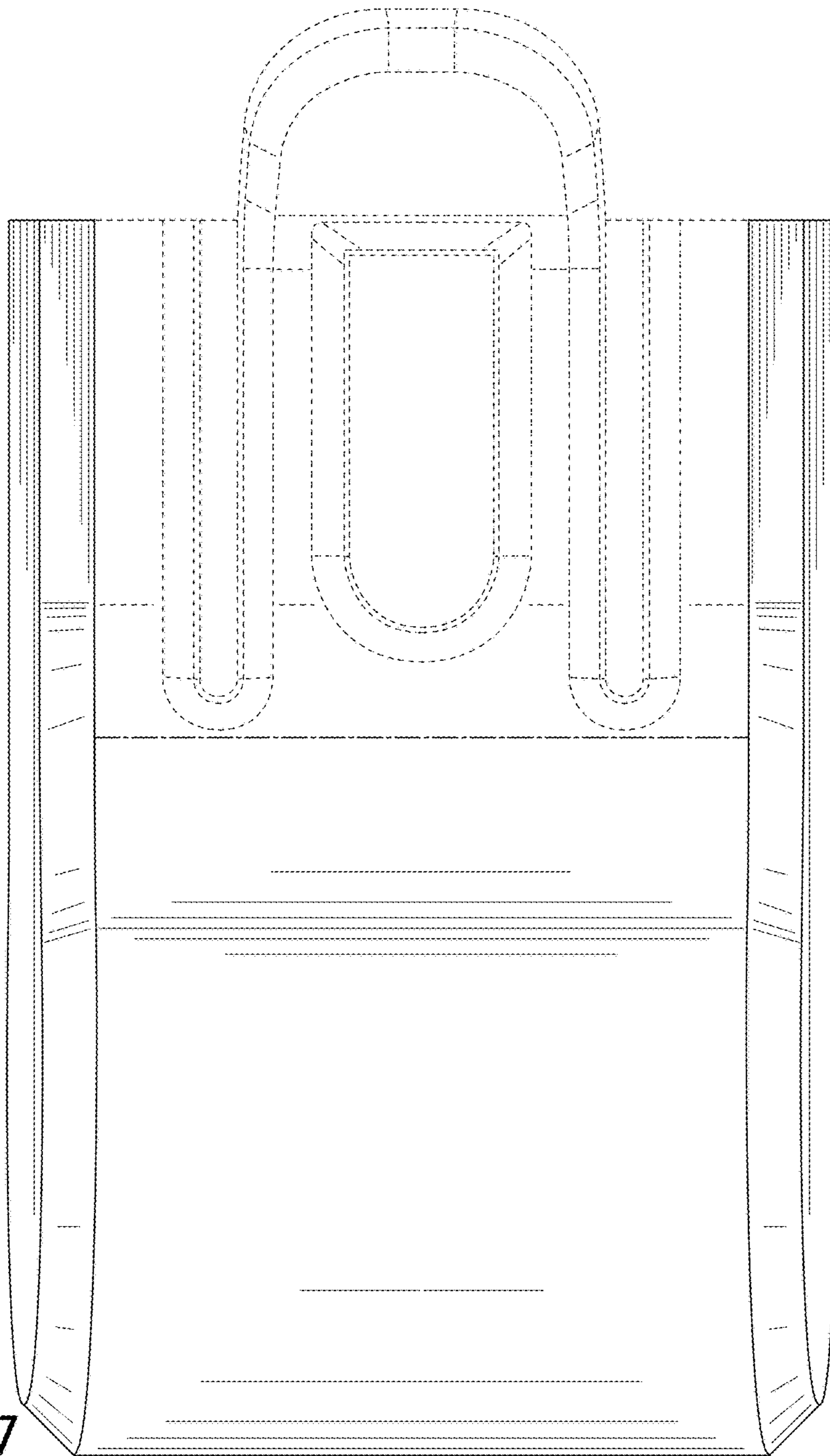


FIG. 7

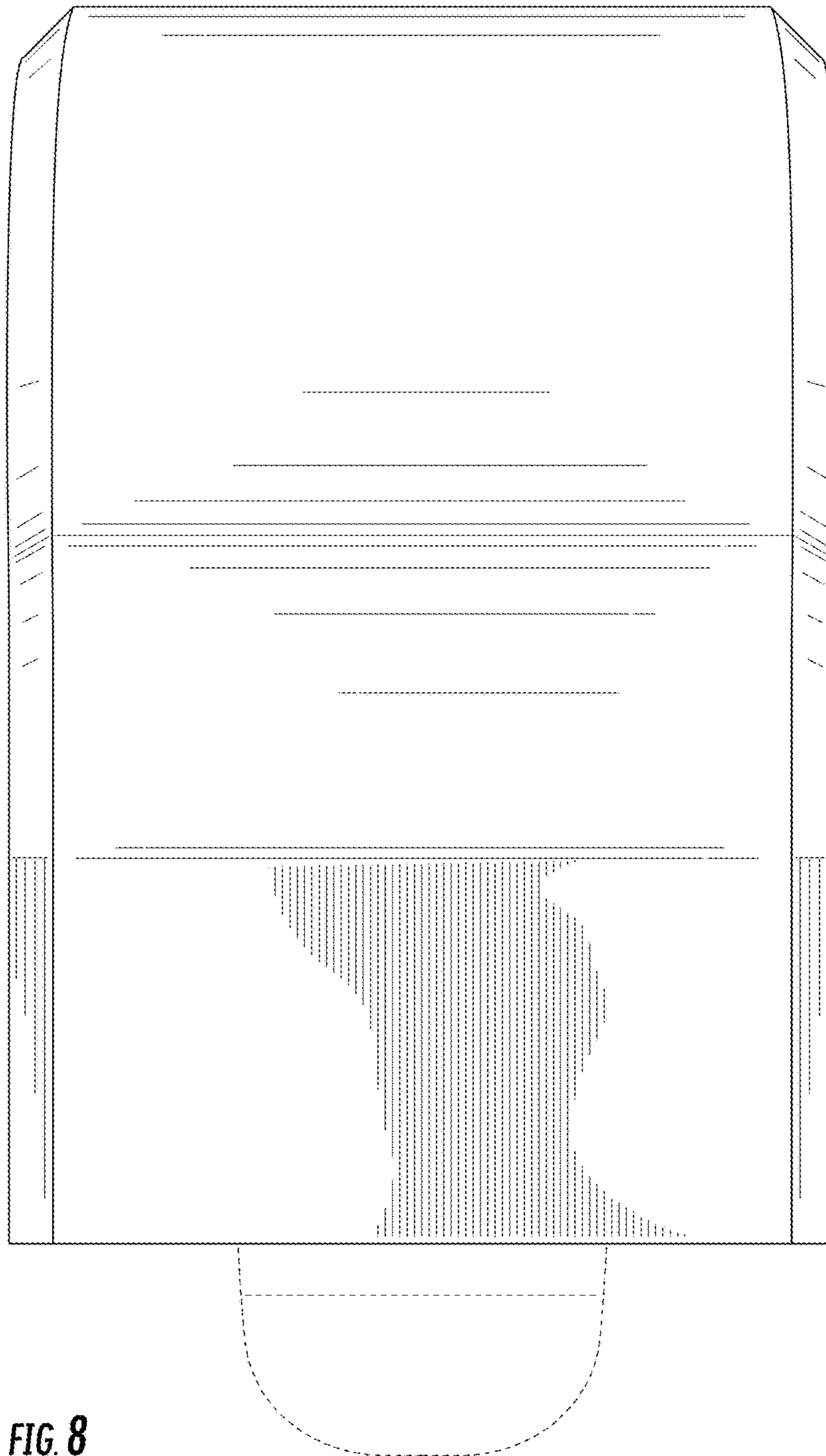


FIG. 8