



US00D868701S

(12) **United States Design Patent** (10) **Patent No.:** **US D868,701 S**
Ziehm et al. (45) **Date of Patent:** **** Dec. 3, 2019**

(54) **OVERHEAD TRANSMISSION CONDUCTOR CABLE**

3,029,405 A * 4/1962 Buchanan H01R 25/006
174/51

(71) Applicant: **Henkel AG & Co. KGaA**, Duesseldorf (DE)

4,045,611 A 8/1977 Torgerson
4,131,759 A 12/1978 Felkel
(Continued)

(72) Inventors: **Mark W. Ziehm**, Oakland Township, MI (US); **Shawn E. Dolan**, Sterling Heights, MI (US)

FOREIGN PATENT DOCUMENTS

(73) Assignee: **Henkel AG & Co. KGaA**, Duesseldorf (DE)

CN 2879357 Y 3/2007
CN 200969249 Y 10/2007
(Continued)

(**) Term: **15 Years**

Primary Examiner — Rhea Shields

(21) Appl. No.: **29/593,680**

(74) *Attorney, Agent, or Firm* — Mary K. Cameron

(22) Filed: **Feb. 10, 2017**

(57) **CLAIM**

The ornamental design for an overhead transmission conductor cable, as shown and described.

Related U.S. Application Data

DESCRIPTION

(62) Division of application No. 29/498,752, filed on Aug. 7, 2014, now Pat. No. Des. 779,440.

FIG. 1 is a perspective view of a first embodiment of an overhead transmission conductor cable, according to our new design;

(51) **LOC (12) Cl.** **13-03**

FIG. 2 is a side view thereof;

(52) **U.S. Cl.**

FIG. 3 is an end view thereof; and

USPC **D13/153**

FIG. 4 is a sectional view taken on line 4-4 of FIG. 2.

(58) **Field of Classification Search**

USPC D13/153, 147

FIG. 5 is a perspective view of a second embodiment of an overhead transmission conductor cable, according to our new design;

CPC H01B 9/0666; H01R 25/006; H01R 4/363;

FIG. 6 is a side view thereof;

H01R 4/5083; H01R 13/434; H01R 4/62

FIG. 7 is an end view thereof; and

See application file for complete search history.

FIG. 8 is a sectional view taken on line 8-8 of FIG. 6.

(56) **References Cited**

FIG. 9 is a perspective view of a third embodiment of an overhead transmission conductor cable, according to our new design;

U.S. PATENT DOCUMENTS

1,749,740 A 3/1930 Frederickson

FIG. 10 is a side view thereof; and,

1,856,109 A * 5/1932 Murray H01B 9/0666

FIG. 11 is an end view thereof.

138/108

1,967,091 A * 7/1934 Kempton 174/51

In the drawings, the broken lines are for the purpose of illustrating environment only and form no part of the claimed design.

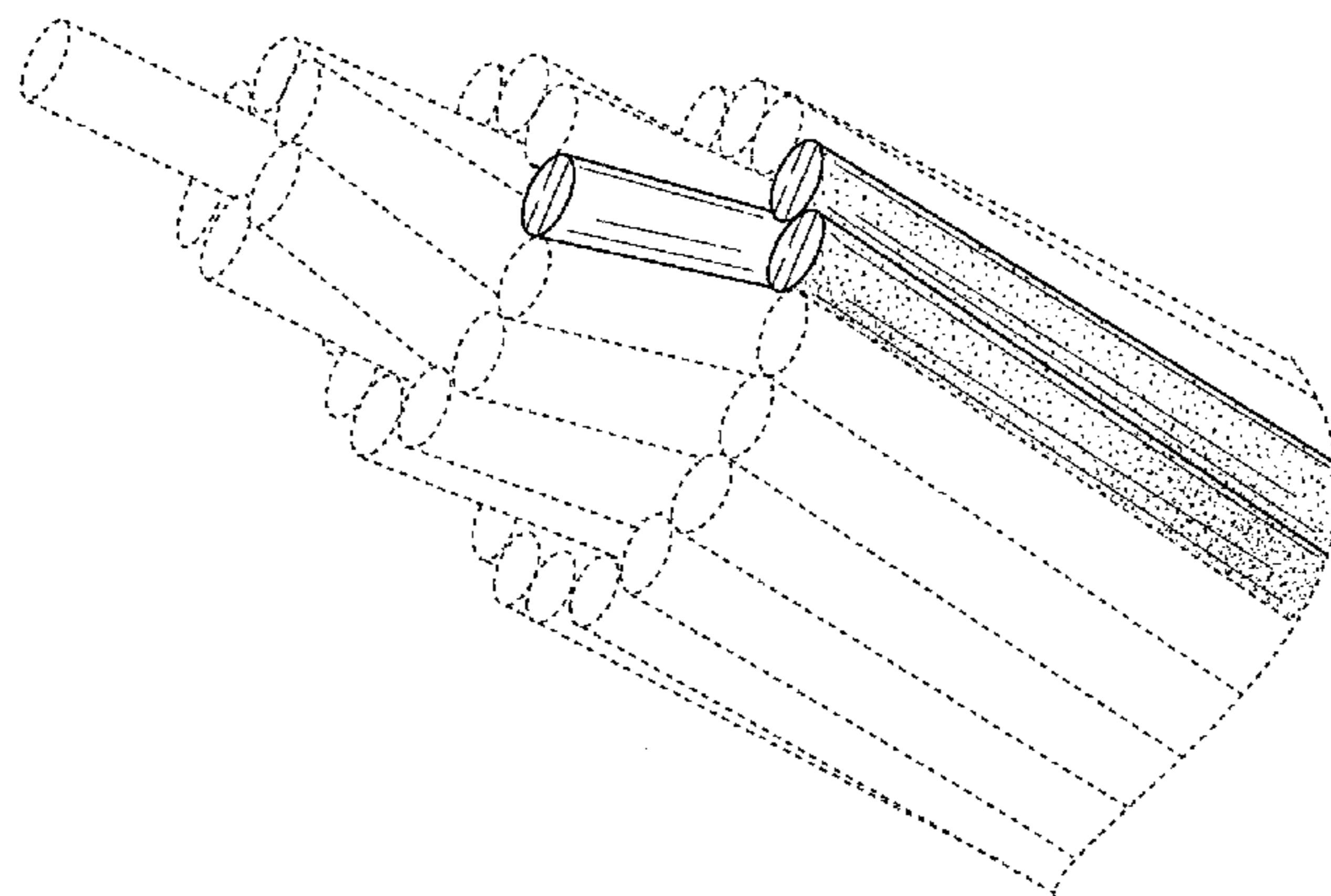
2,423,290 A * 7/1947 Bonwitt H01R 4/62

106/272

2,477,849 A * 8/1949 Adams H01R 13/434

439/745

1 Claim, 11 Drawing Sheets



(56)

References Cited

U.S. PATENT DOCUMENTS

4,187,391 A 2/1980 Voser
 4,718,224 A 1/1988 Obata
 5,027,497 A 7/1991 Takaki et al.
 5,211,500 A 5/1993 Takaki et al.
 5,282,761 A * 2/1994 Hollingsworth H01R 4/5083
 439/790
 5,414,211 A 5/1995 Chan
 5,595,284 A 1/1997 Takahashi et al.
 6,216,554 B1 4/2001 Kimura et al.
 6,764,354 B2 * 7/2004 Kaine H01R 4/363
 439/606
 6,828,501 B2 12/2004 Eves et al.
 7,554,038 B2 6/2009 Oga et al.
 D599,741 S * 9/2009 Meldert D13/147
 7,650,742 B2 1/2010 Ushijima
 7,754,969 B2 7/2010 Kummer et al.
 8,425,143 B2 4/2013 Kondo et al.
 9,045,856 B2 6/2015 Hachisuka et al.
 D779,440 S * 2/2017 Ziehm D13/153
 2012/0005998 A1 1/2012 Noguchi et al.
 2013/0318937 A1 12/2013 Takeuchi et al.

FOREIGN PATENT DOCUMENTS

CN 200990260 Y 12/2007
 CN 201087884 Y 7/2008
 CN 101261891 A 9/2008
 CN 101329928 A 12/2008
 CN 101464549 A 6/2009
 CN 201387755 Y 1/2010
 CN 201387759 Y 1/2010
 CN 201402665 Y 2/2010
 CN 201413662 Y 2/2010
 CN 201556452 U 8/2010
 CN 201667222 U 12/2010
 CN 201788746 U 4/2011
 CN 201812560 U 4/2011
 CN 201820490 U 5/2011
 CN 201838364 U 5/2011
 CN 201859685 U 6/2011
 CN 202049792 U 11/2011
 CN 202110862 U 1/2012
 CN 202110872 U 1/2012
 CN 202153454 U 2/2012
 CN 102394131 A 3/2012
 CN 202166765 U 3/2012
 CN 202183262 U 4/2012

CN 102464904 A 5/2012
 CN 202268206 U 6/2012
 CN 202434258 U 9/2012
 CN 202434259 U 9/2012
 CN 202523472 U 11/2012
 CN 202549467 U 11/2012
 CN 202584864 U 12/2012
 CN 202584902 U 12/2012
 CN 202632858 U 12/2012
 CN 202650597 U 1/2013
 CN 202662363 U 1/2013
 CN 202677901 U 1/2013
 CN 202677953 U 1/2013
 CN 202720915 U 2/2013
 CN 202720951 U 2/2013
 CN 102982885 A 3/2013
 CN 202796206 U 3/2013
 CN 202796207 U 3/2013
 DE 3902842 A1 8/1990
 FR 2796656 A1 1/2001
 JP 668721 A 3/1994
 JP 11117051 A 4/1994
 JP 6302227 A 10/1994
 JP 8111122 A 4/1996
 JP 943467 A 2/1997
 JP 11160592 A 6/1999
 JP 11176241 A 7/1999
 JP 11332048 A 11/1999
 JP 2001084838 A 3/2001
 JP 2001095119 A 4/2001
 JP 2001167645 A 6/2001
 JP 2002117723 A 4/2002
 JP 2002345138 A 11/2002
 JP 2003016841 A 1/2003
 JP 2003031029 A 1/2003
 JP 2004047181 A 2/2004
 JP 2004095337 A 3/2004
 JP 2004362988 A 12/2004
 JP 2009134896 A 6/2009
 JP 2010182470 A 8/2010
 JP 2010182537 A 8/2010
 JP 2011146232 A 7/2011
 JP 2012256454 A 12/2012
 KR 20120130857 A 12/2012
 RU 2396617 C1 8/2010
 RU 2447525 C1 4/2012
 WO 2007034248 A1 3/2007
 WO 2008098811 A1 8/2008
 WO 2014025420 A1 2/2014
 WO 2014133898 A1 9/2014

* cited by examiner

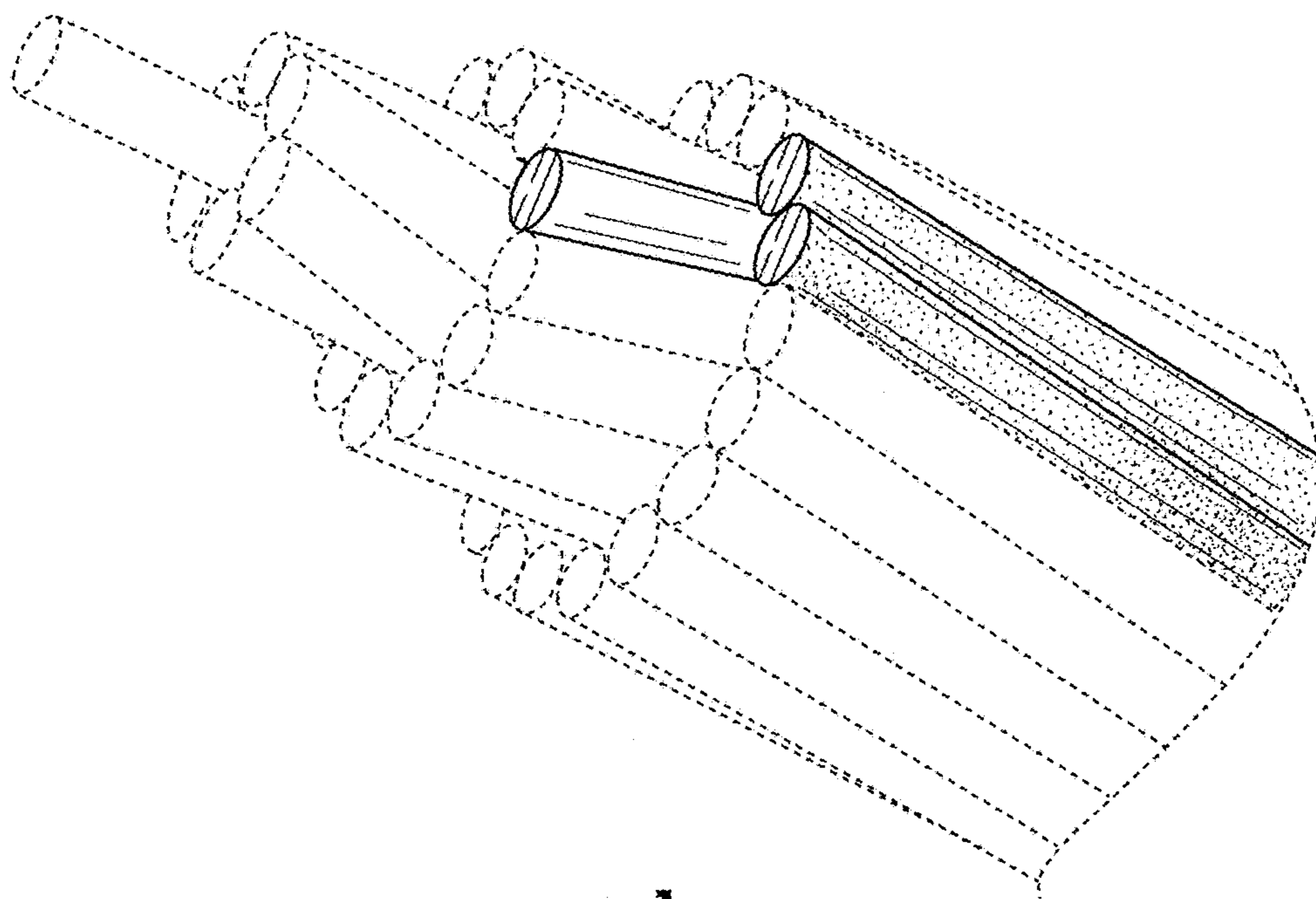


FIG. 1

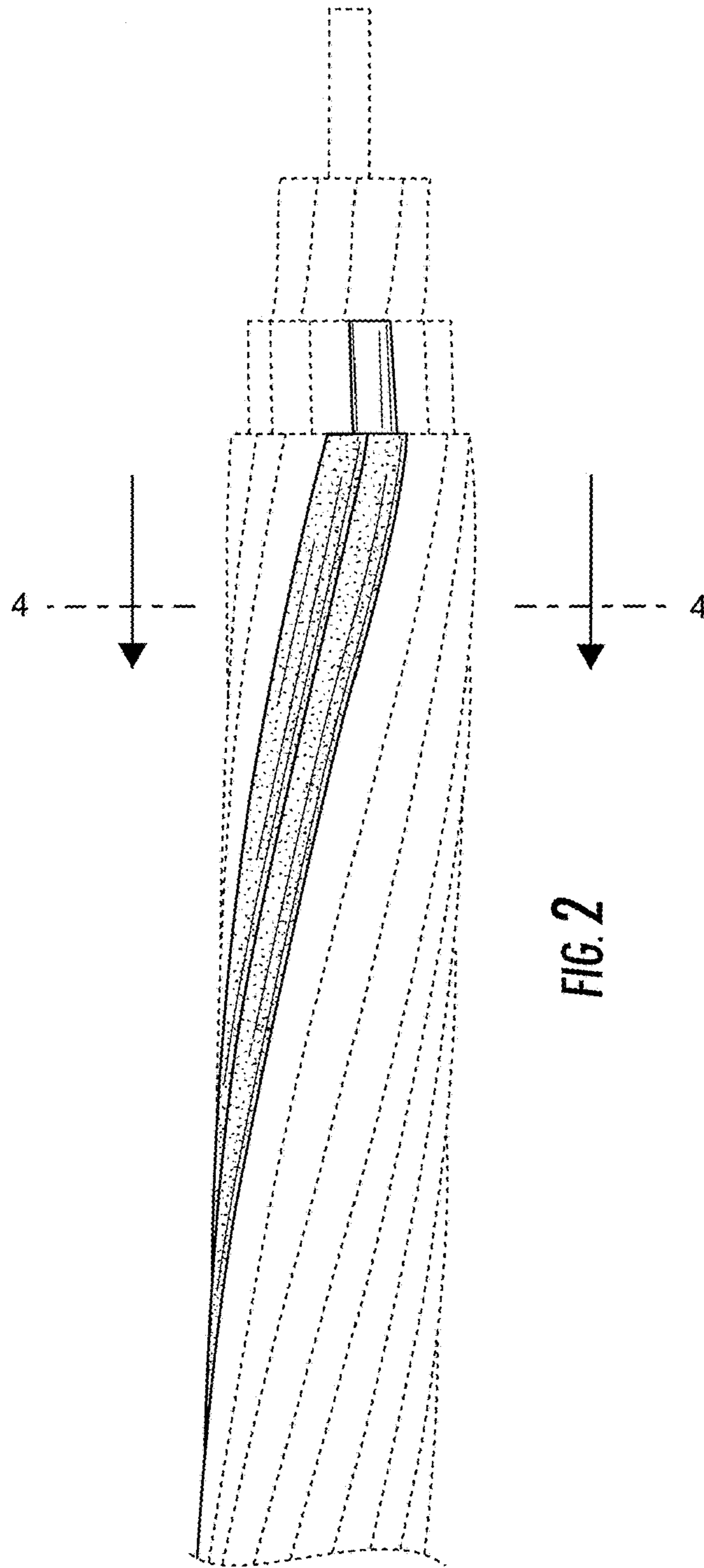


FIG. 2

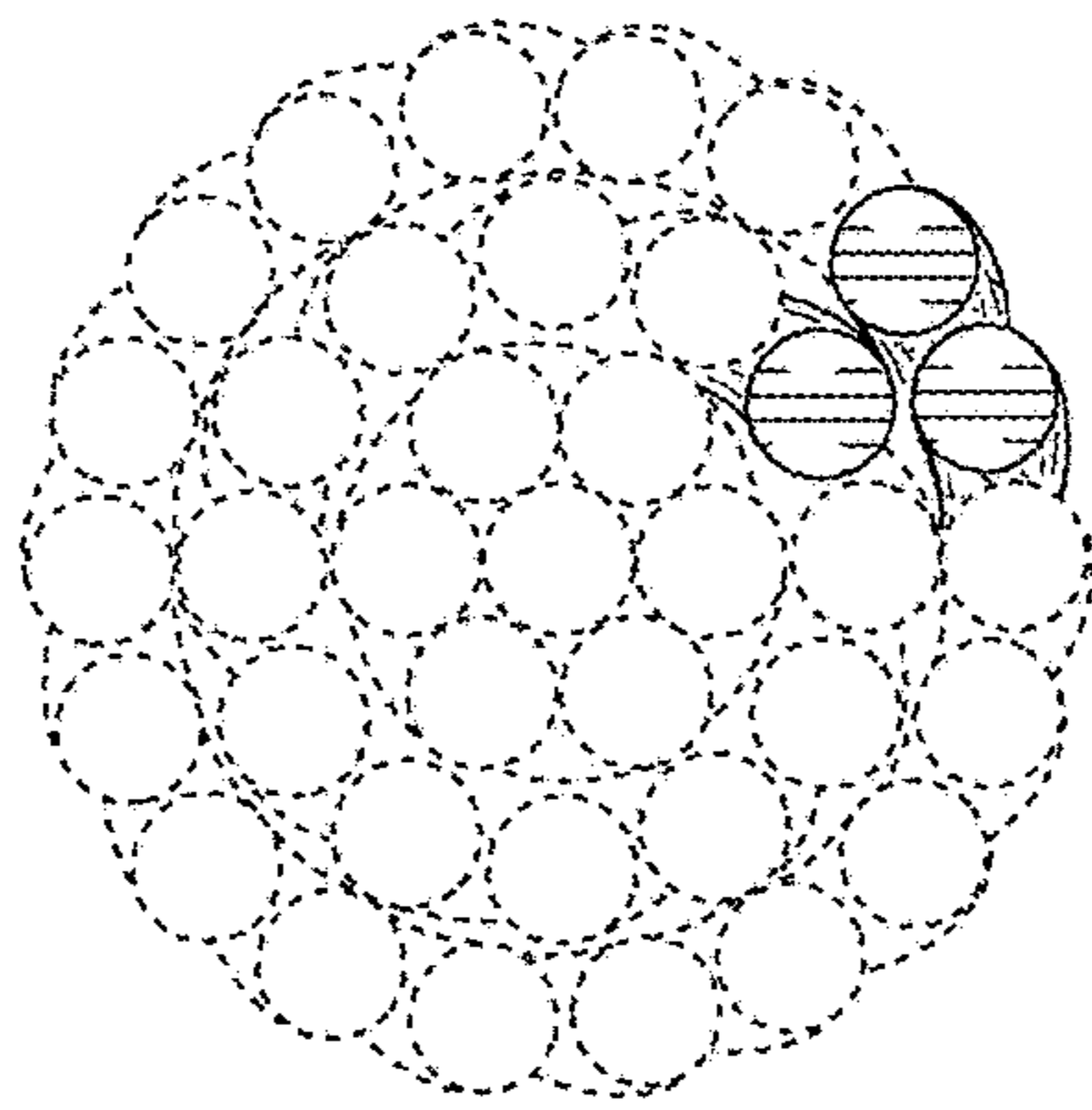


FIG. 3

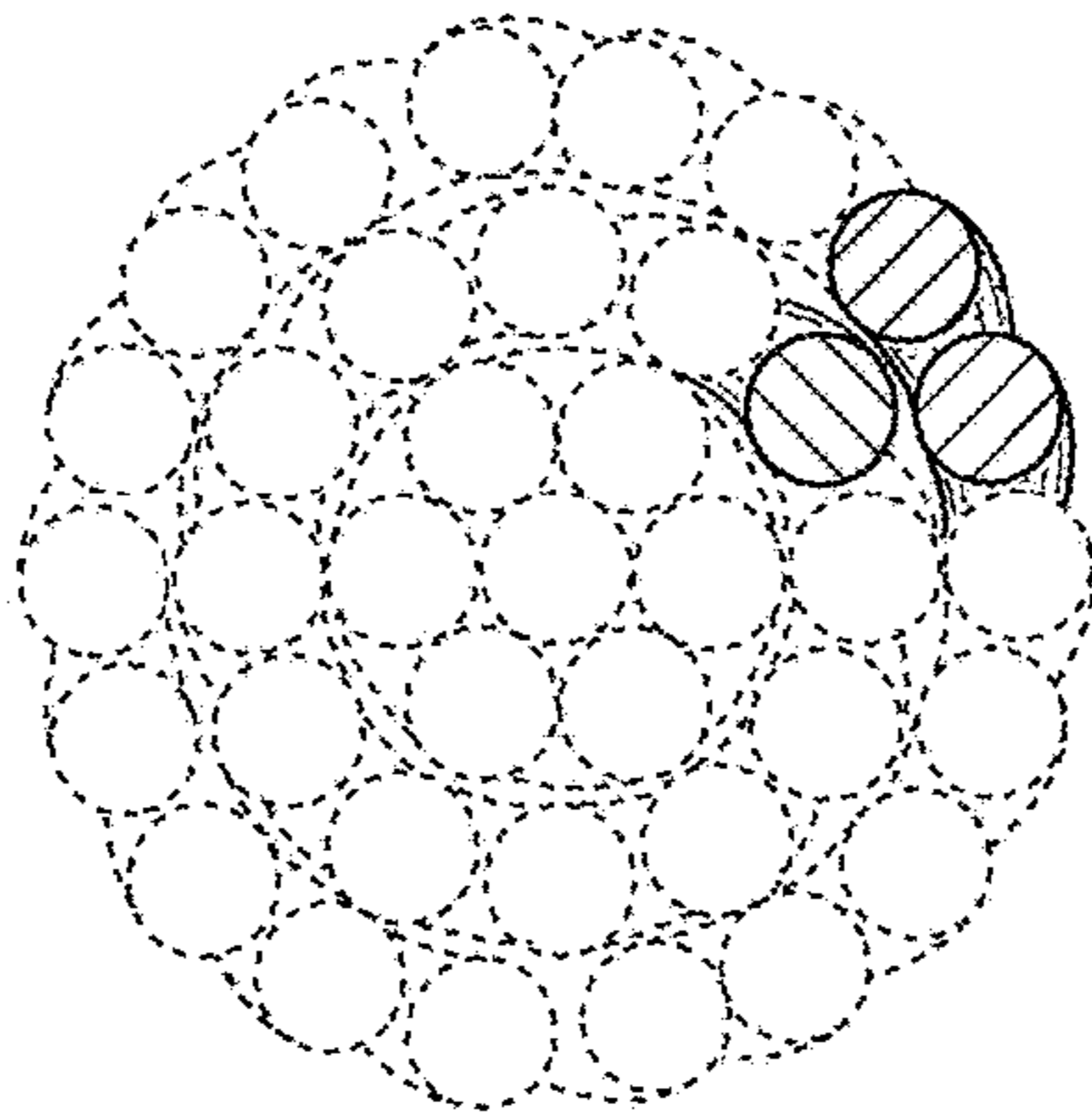


FIG. 4

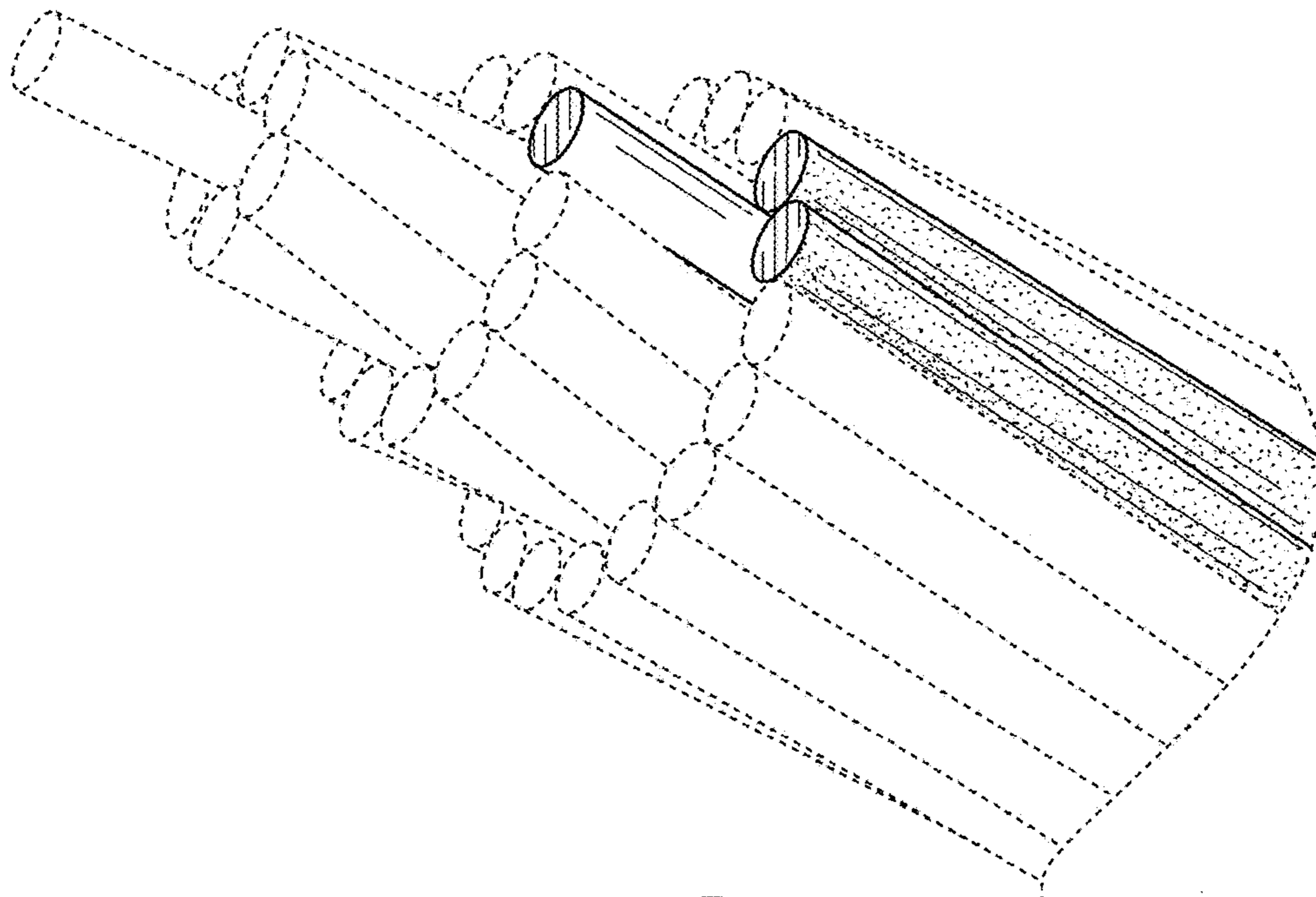
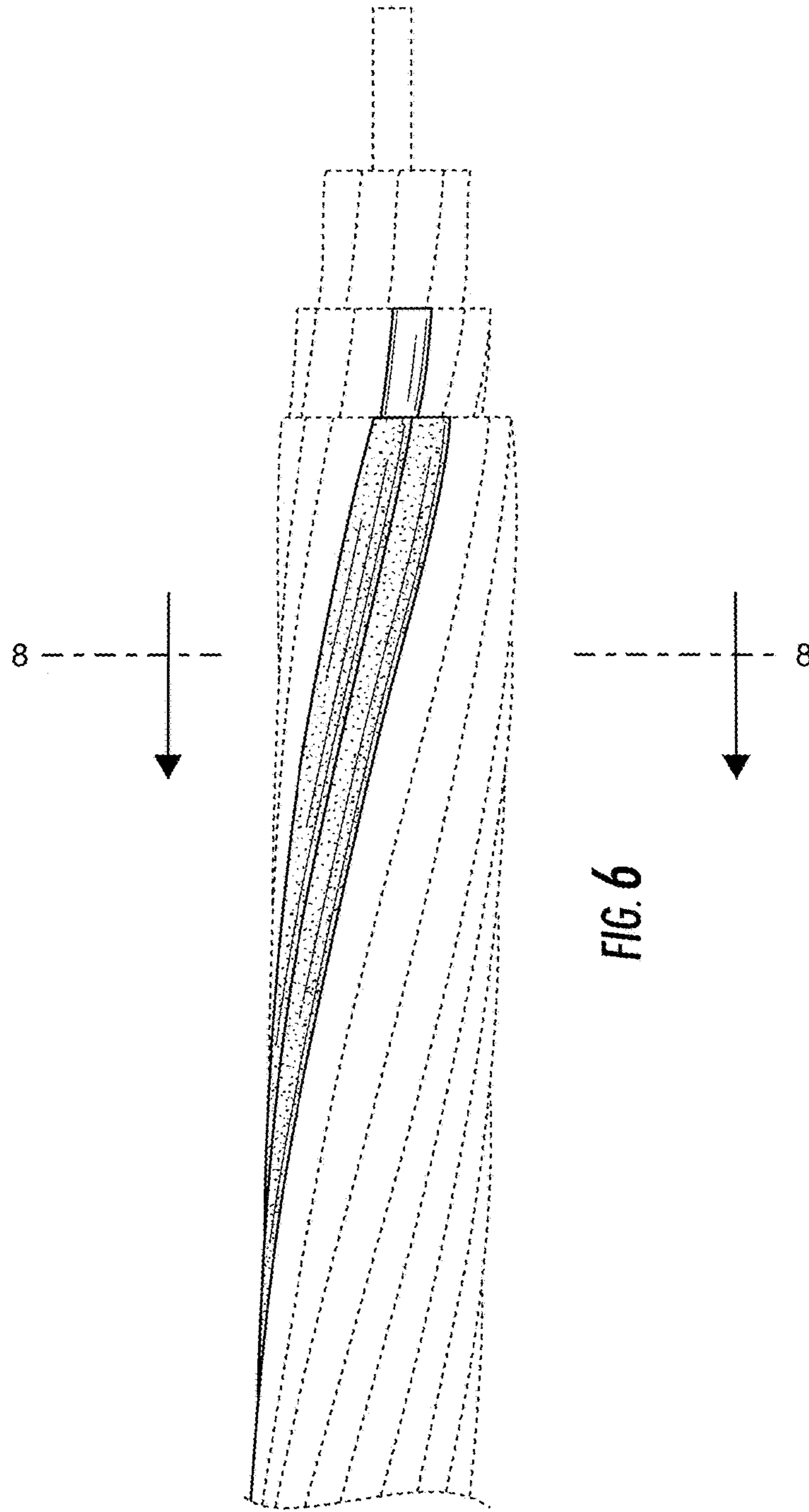


FIG. 5



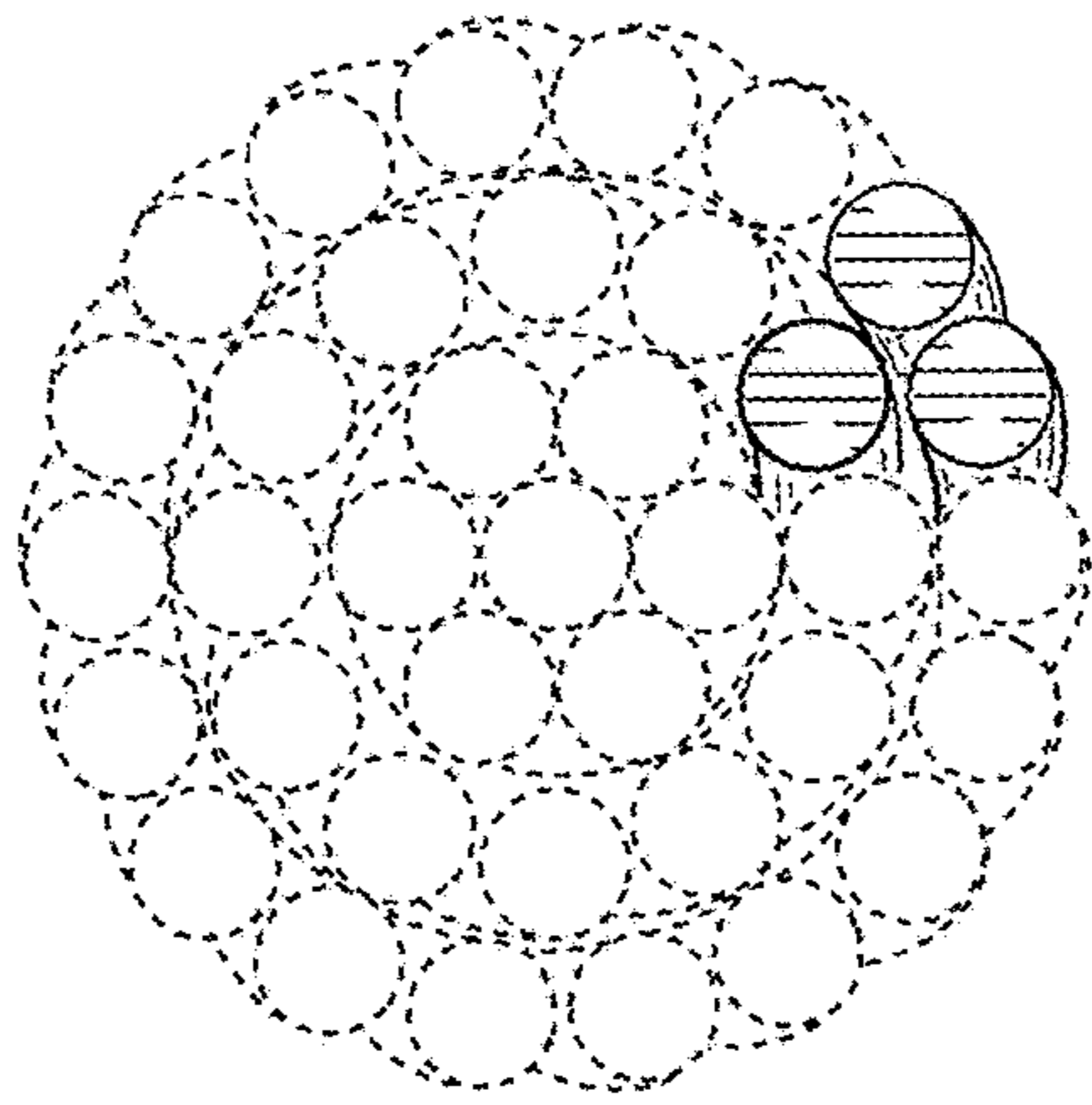


FIG. 7

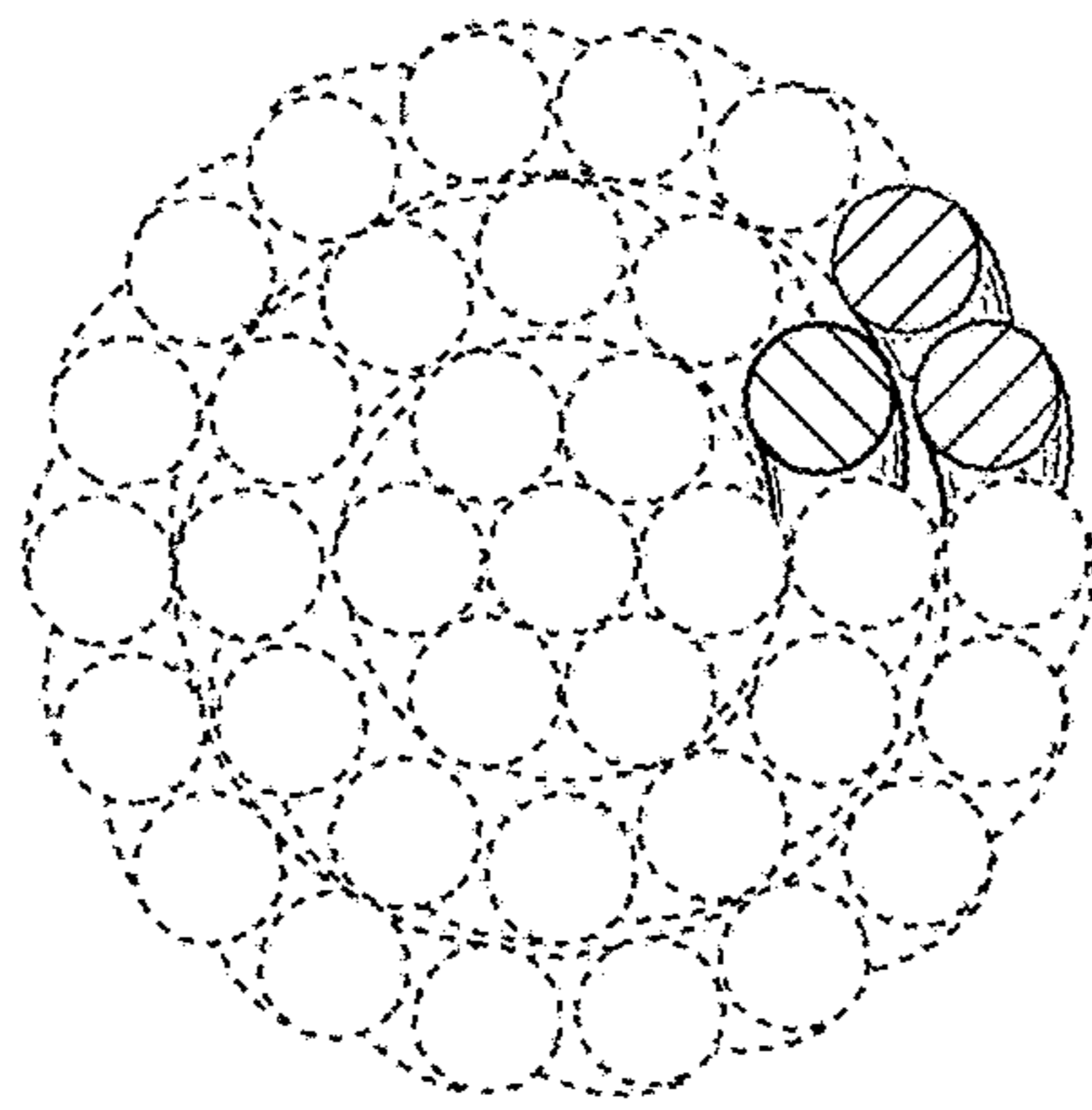


FIG. 8

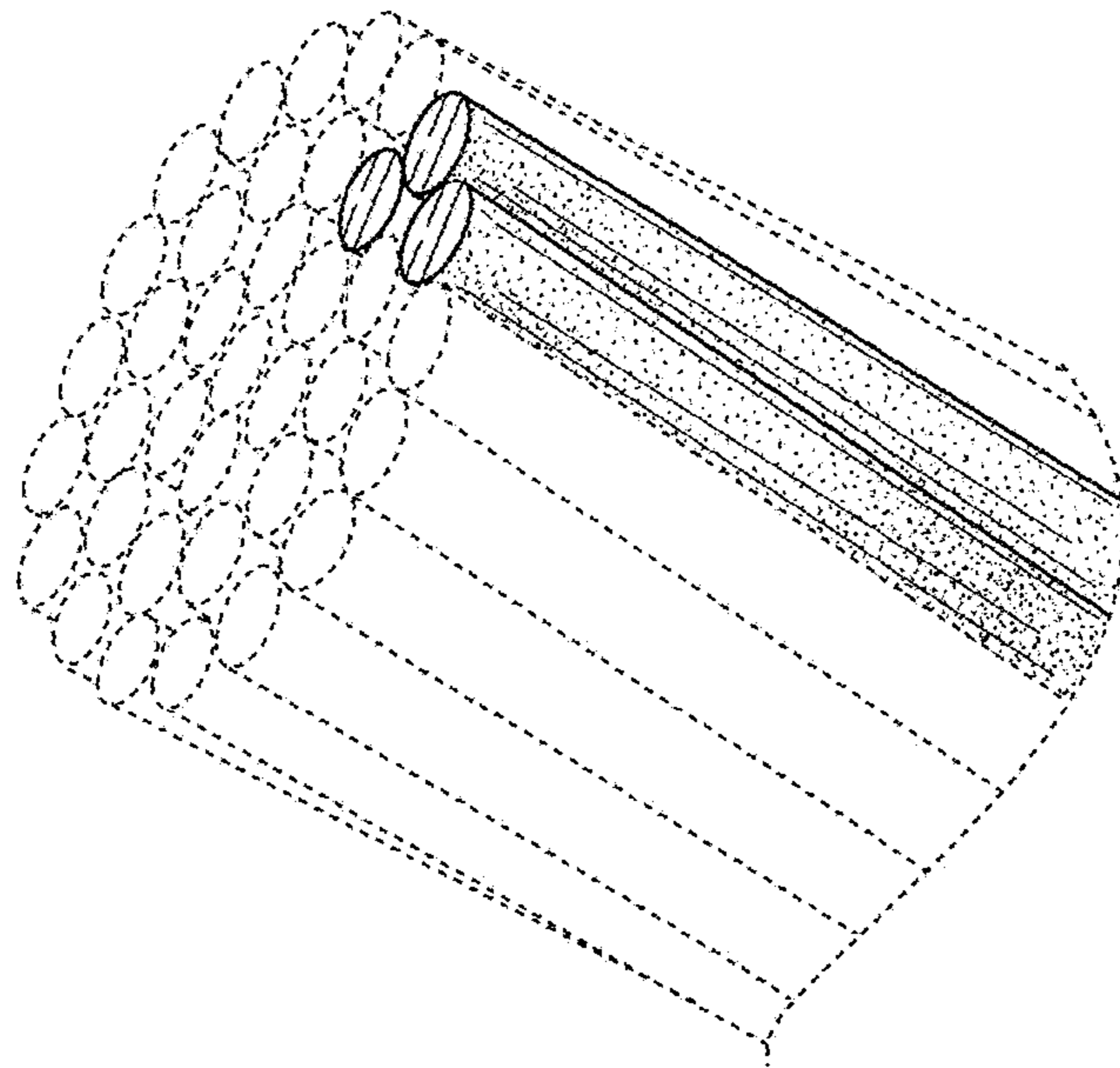


FIG. 9

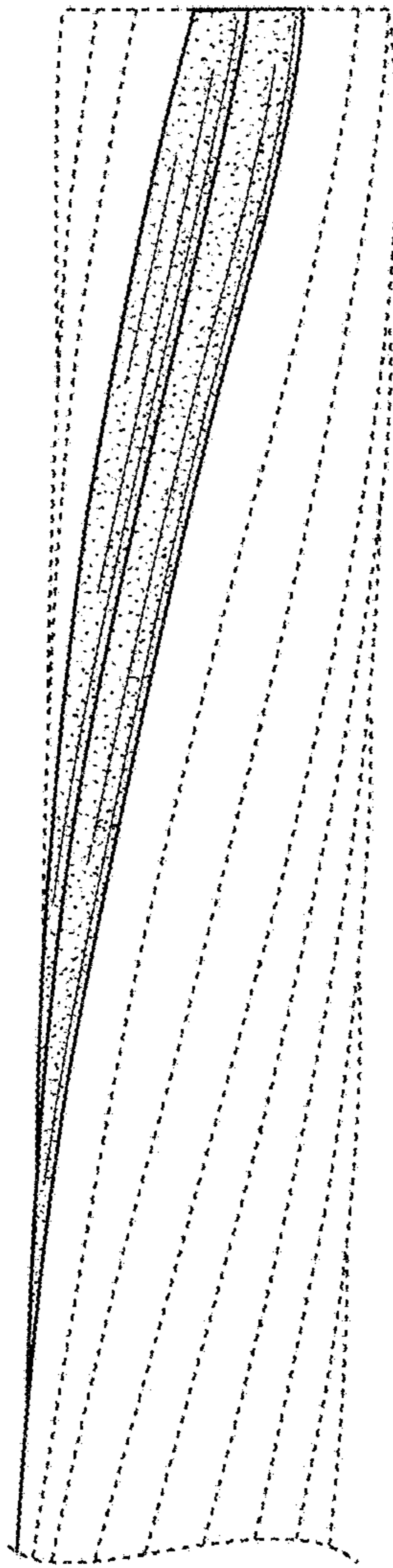


FIG. 10

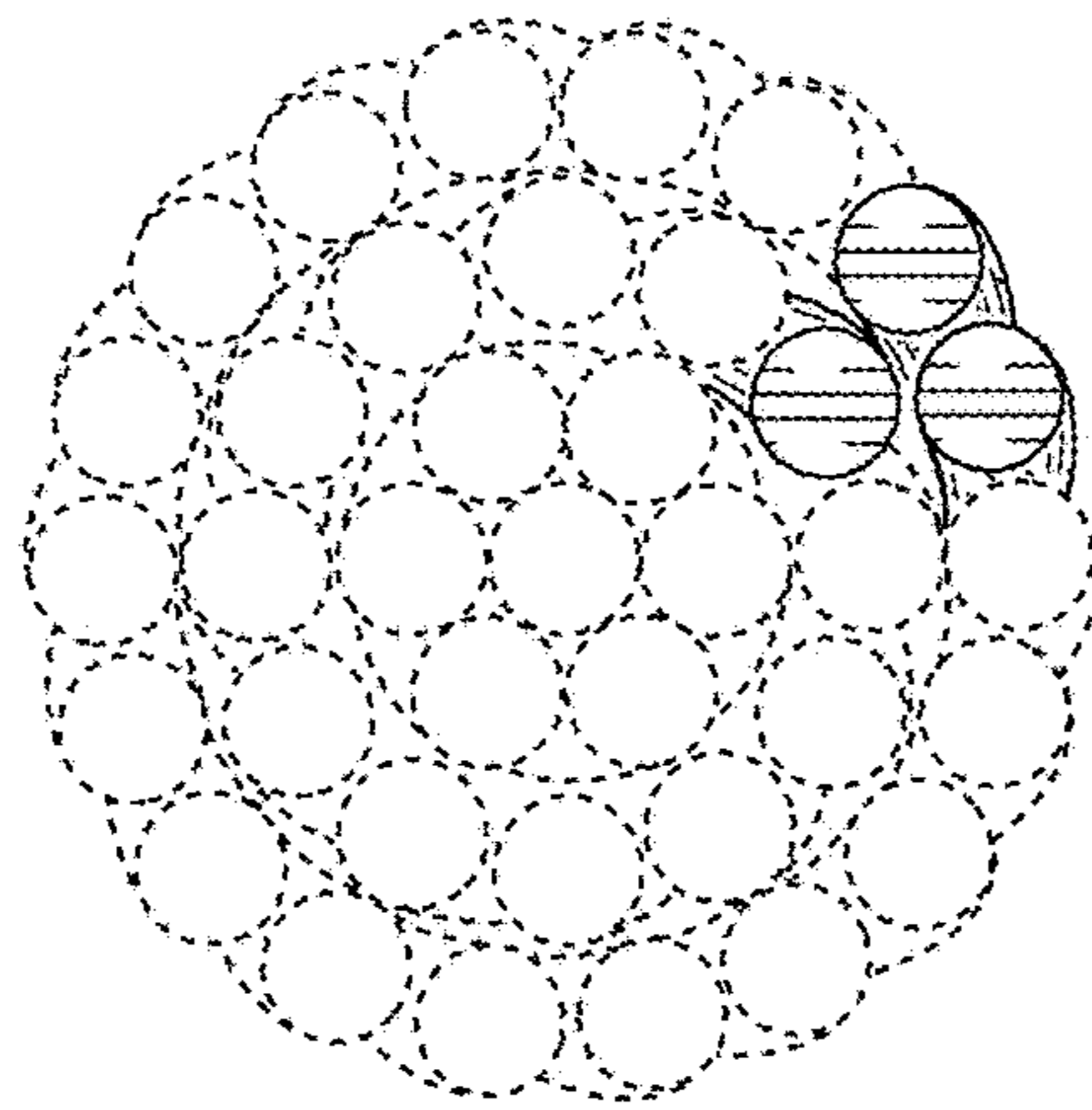


FIG. 11