

US00D868699S

(12) **United States Design Patent** (10) **Patent No.:** **US D868,699 S**  
**Smajda et al.** (45) **Date of Patent:** **\*\* Dec. 3, 2019**

(54) **BREAK AWAY RAIL CAR POWER CONNECTOR NUT**  
(71) Applicant: **Westinghouse Air Brake Technologies Corporation**, Wilmerding, PA (US)  
(72) Inventors: **Kenneth J. Smajda**, Elkridge, MD (US); **Benjamin Henniges**, Mt. Airy, MD (US)  
(73) Assignee: **Westinghouse Air Brake Technologies Corporation**, Wilmerding, PA (US)

D769,822 S \* 10/2016 Reynolds ..... D13/146  
D788,040 S \* 5/2017 Suica ..... D13/146  
D833,978 S \* 11/2018 Smajda ..... D13/154  
D848,377 S \* 5/2019 Maroney ..... D13/154  
2013/0221166 A1 8/2013 Henniges et al.  
2017/0310044 A1 10/2017 Smajda

**FOREIGN PATENT DOCUMENTS**

AU 201614610 9/2016  
AU 201614611 9/2016  
AU 201614612 9/2016

\* cited by examiner

*Primary Examiner* — Bridget L Eland  
(74) *Attorney, Agent, or Firm* — The Webb Law Firm

(\*\*) Term: **15 Years**  
(21) Appl. No.: **29/621,956**

(22) Filed: **Oct. 12, 2017**  
(51) **LOC (12) Cl.** ..... **13-03**  
(52) **U.S. Cl.**  
USPC ..... **D13/146**  
(58) **Field of Classification Search**  
USPC ..... D13/146, 133, 154  
CPC ..... H01R 13/6278; H01R 13/623; H01R 13/635; B61G 5/10  
See application file for complete search history.

(57) **CLAIM**

The ornamental design for a break away rail car power connector nut, as shown and described.

**DESCRIPTION**

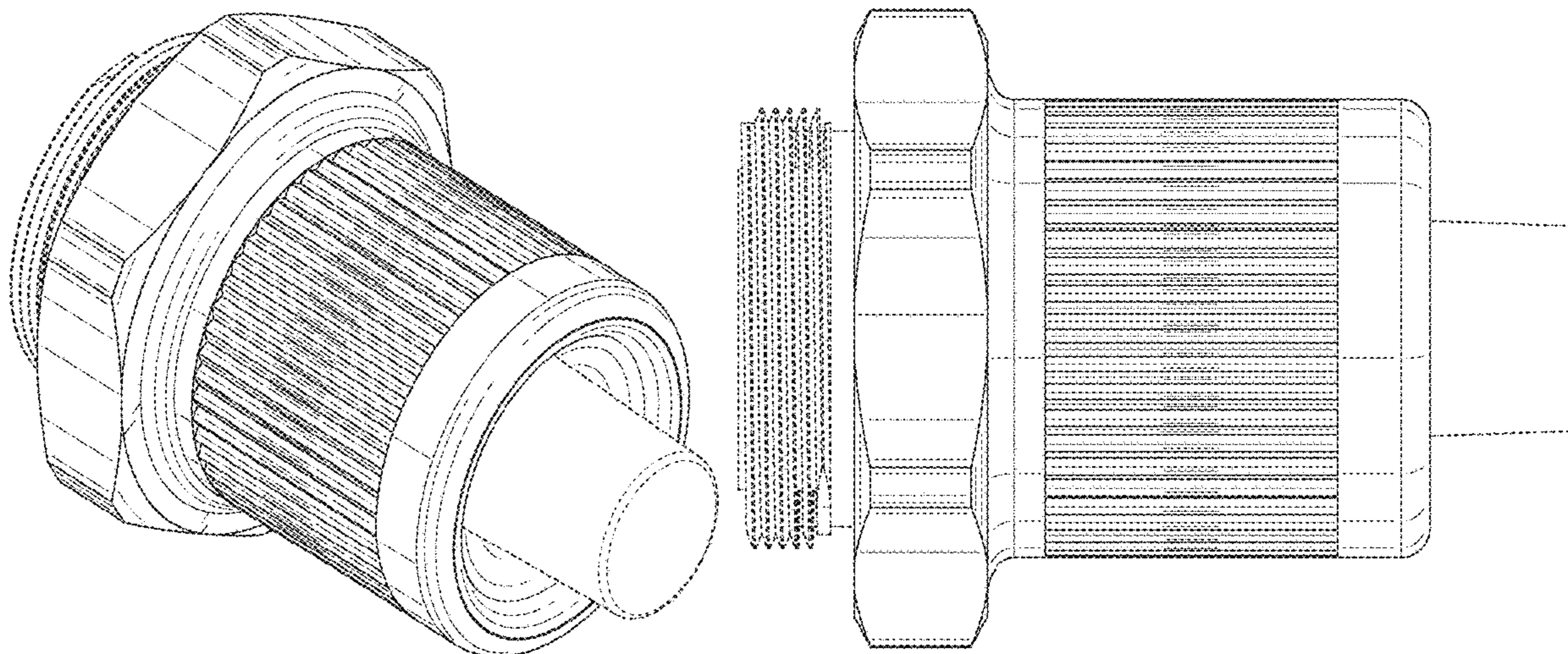
FIG. 1 is a perspective view of a break away rail car power connector nut, showing our new design;  
FIG. 2 is a front elevation view thereof;  
FIG. 3 is a rear elevation view thereof;  
FIG. 4 is a left side elevation view thereof;  
FIG. 5 is a right side elevation view thereof;  
FIG. 6 is a top view thereof;  
FIG. 7 is a bottom view thereof; and,  
FIG. 8 is a cross-sectional view thereof taken in the direction of line 8-8 shown in FIG. 2.  
The broken line showings in FIGS. 1-8 are for the purpose of illustrating environmental structure and form no part of the claimed design.

(56) **References Cited**

**U.S. PATENT DOCUMENTS**

D371,112 S \* 6/1996 Anthony ..... D13/146  
D437,826 S \* 2/2001 Montena ..... D13/133  
D440,539 S \* 4/2001 Montena ..... D13/133  
D561,691 S \* 2/2008 Holliday ..... D13/133  
D571,732 S \* 6/2008 Chawgo ..... D13/133  
D577,682 S \* 9/2008 Amidon ..... D13/133  
D577,683 S \* 9/2008 Chawgo ..... D13/133  
D578,073 S \* 10/2008 Amidon ..... D13/133  
D584,235 S \* 1/2009 Montena ..... D13/133

**1 Claim, 8 Drawing Sheets**



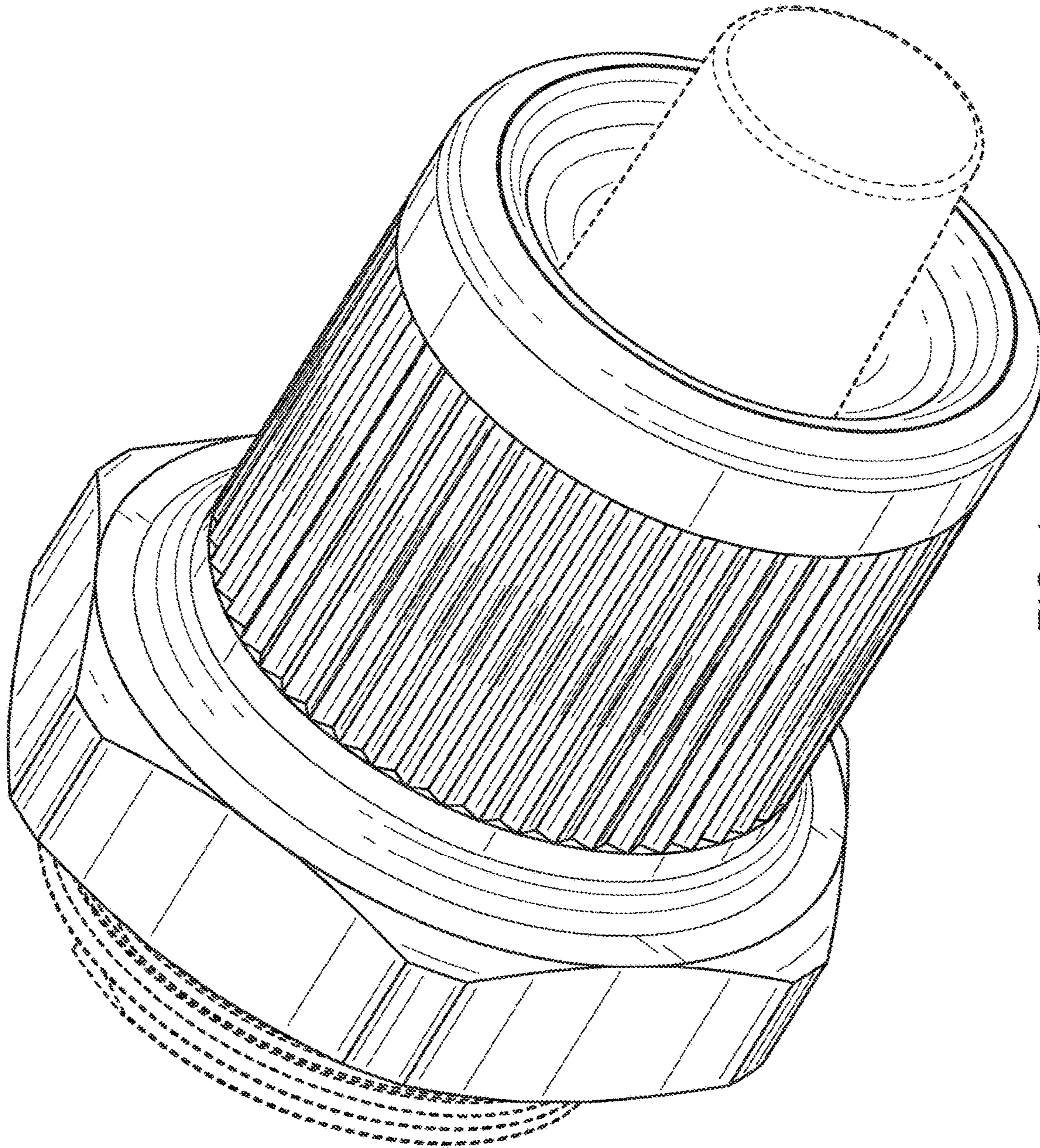


FIG. 1

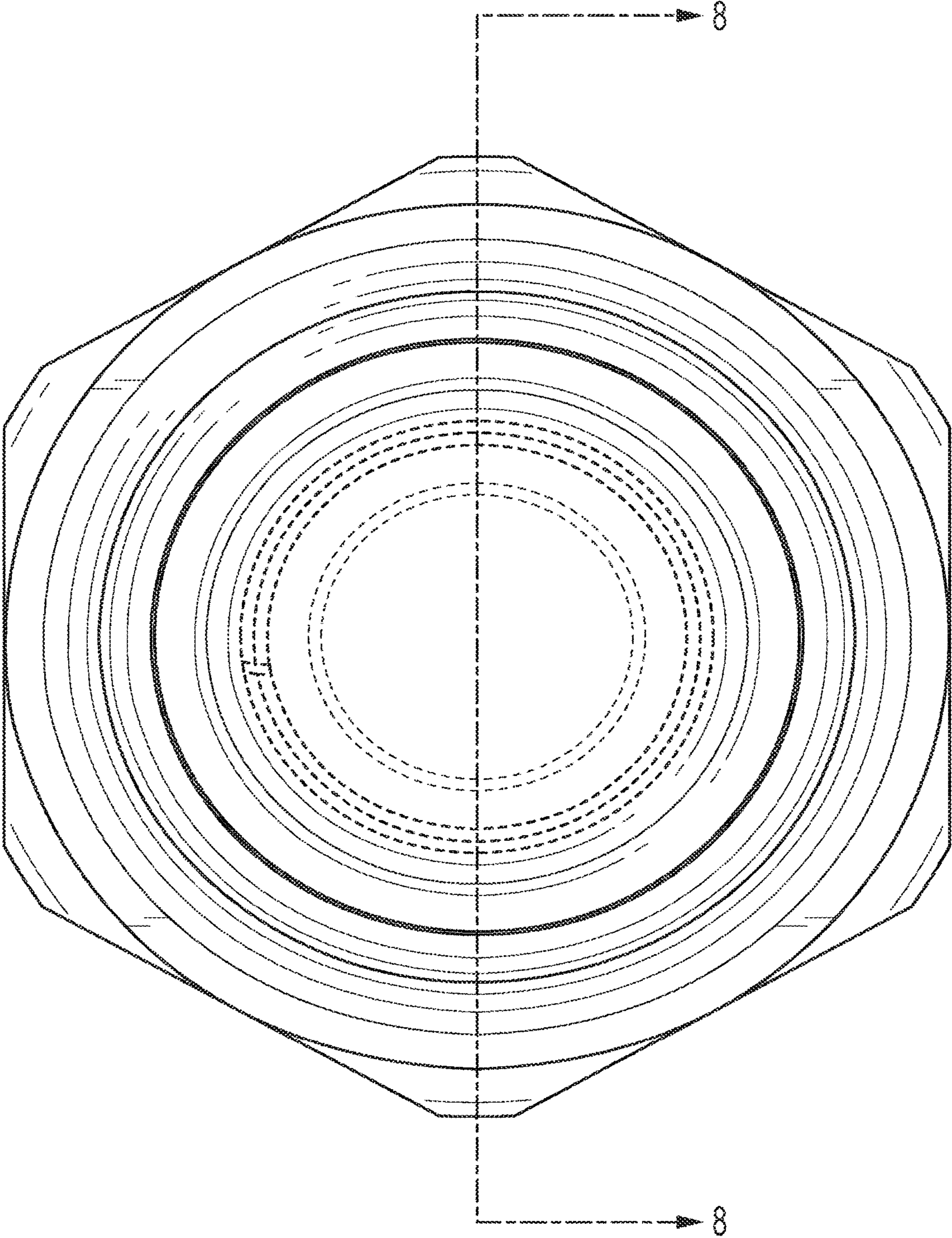


FIG. 2

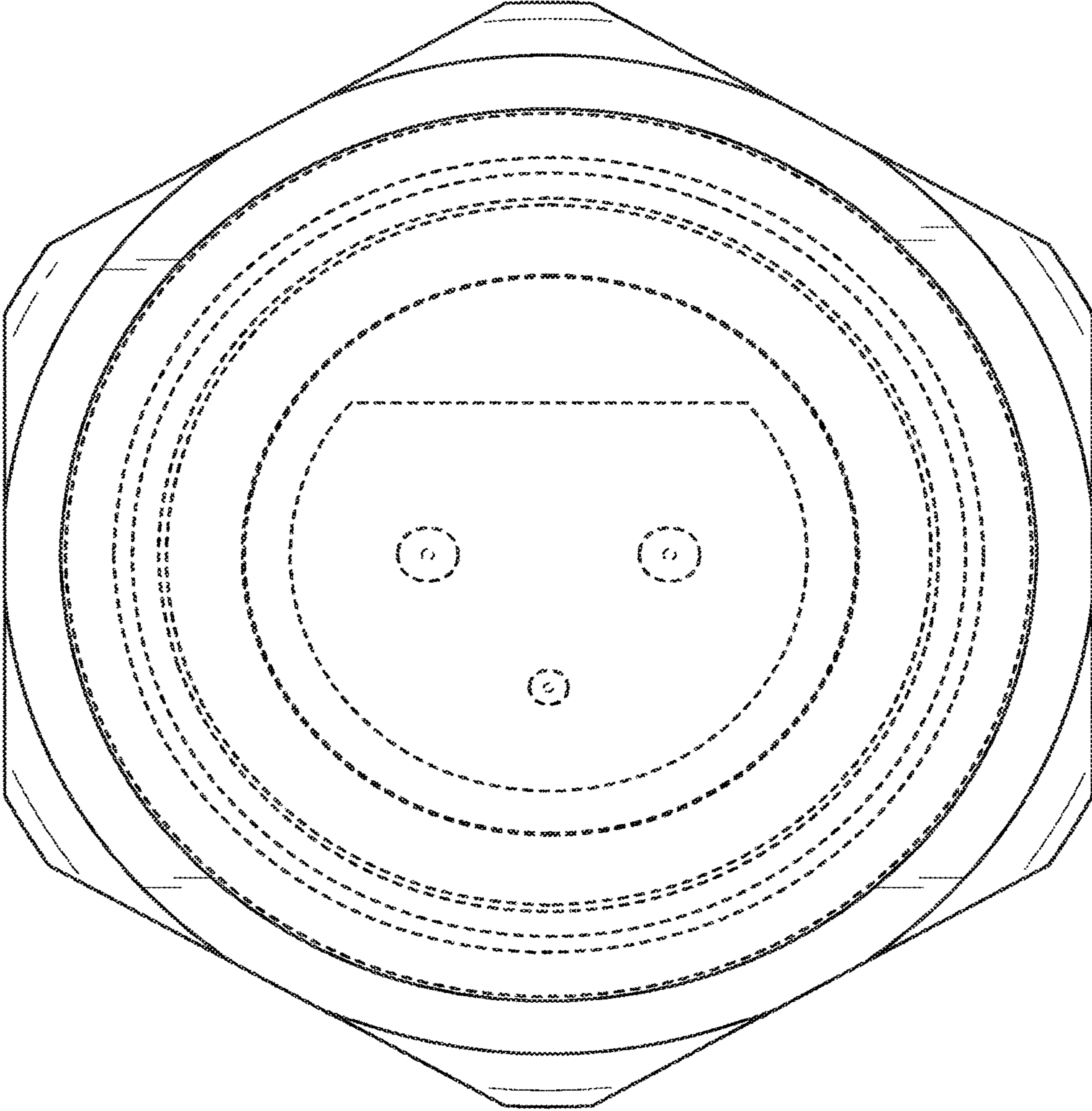


FIG. 3

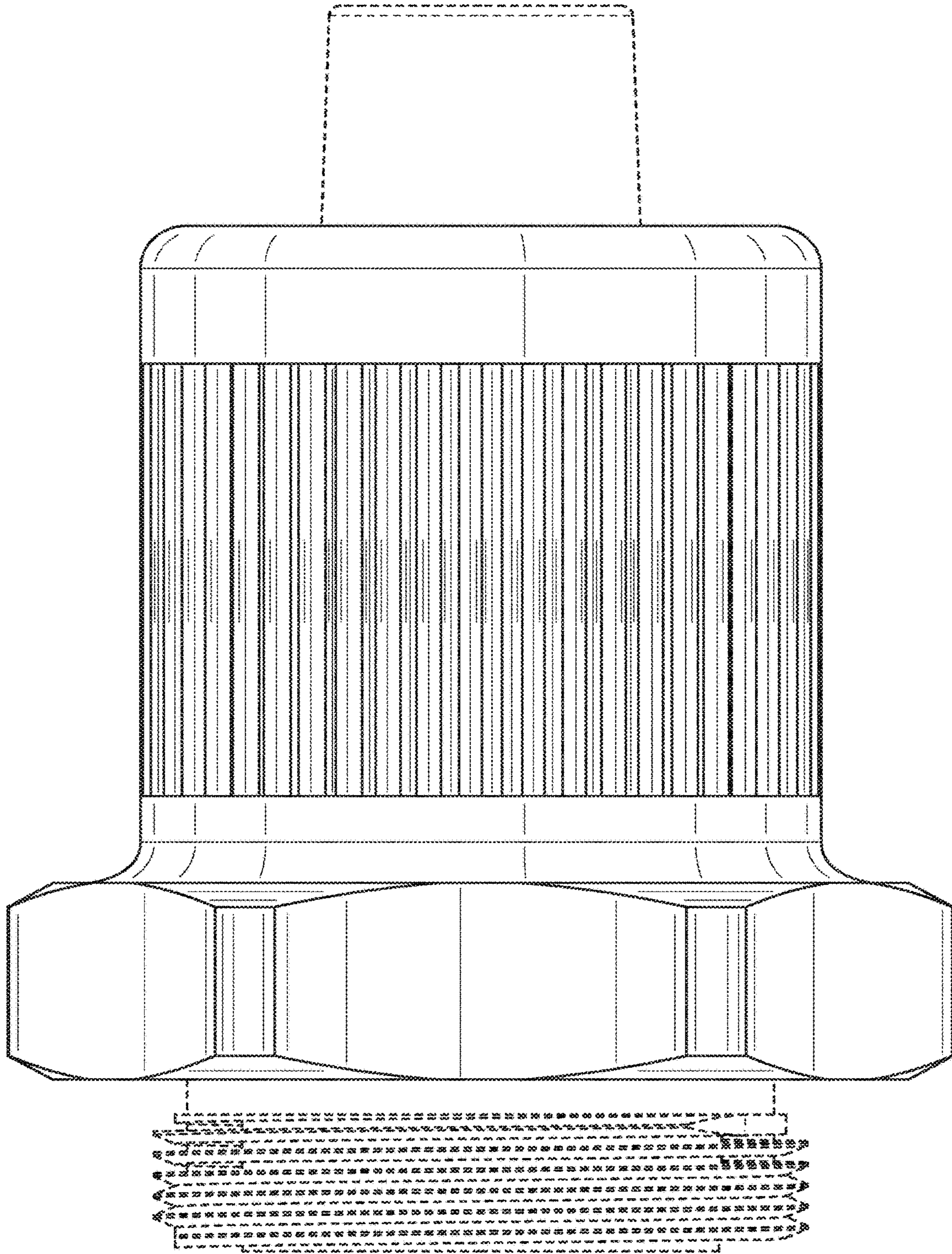


FIG. 4

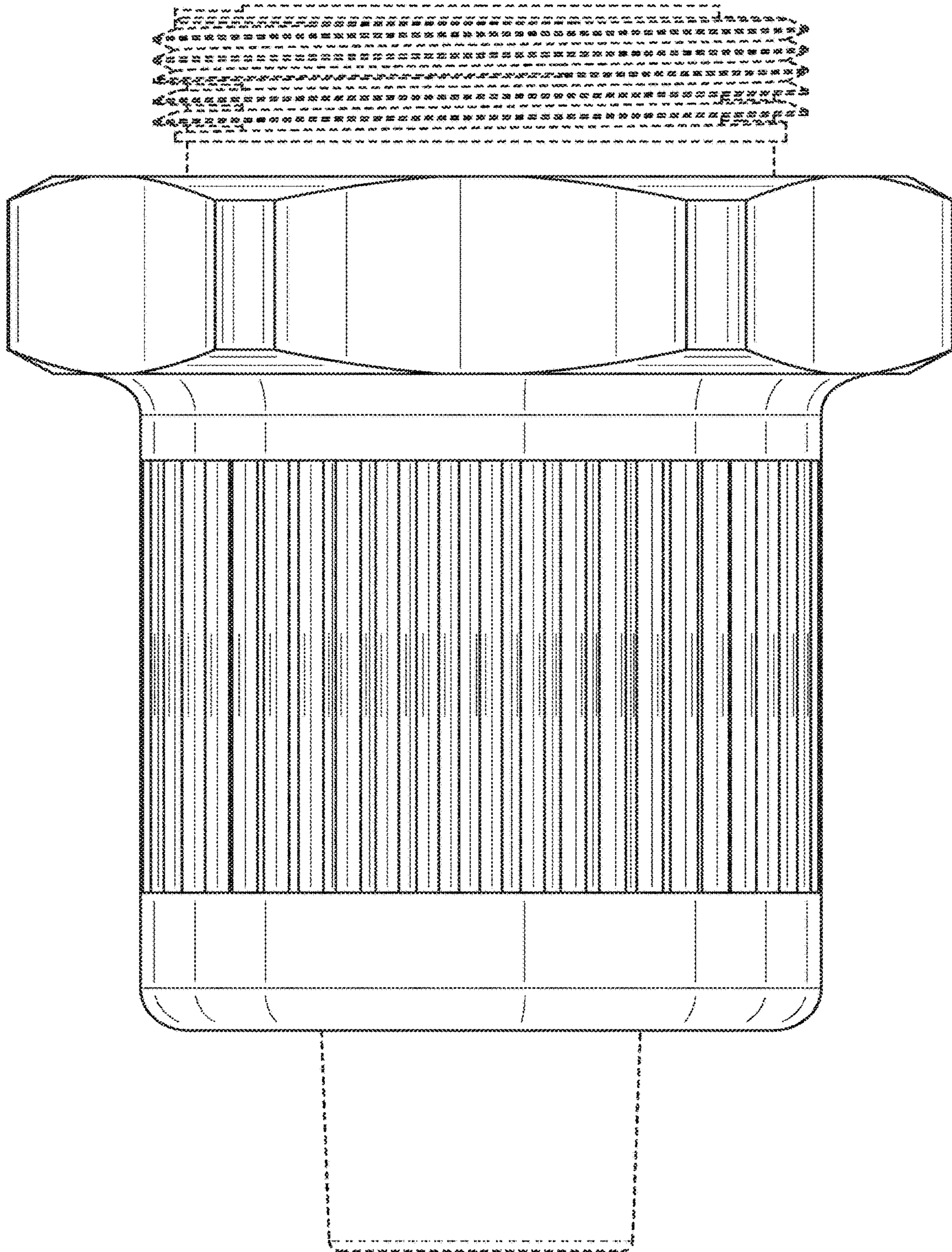


FIG. 5

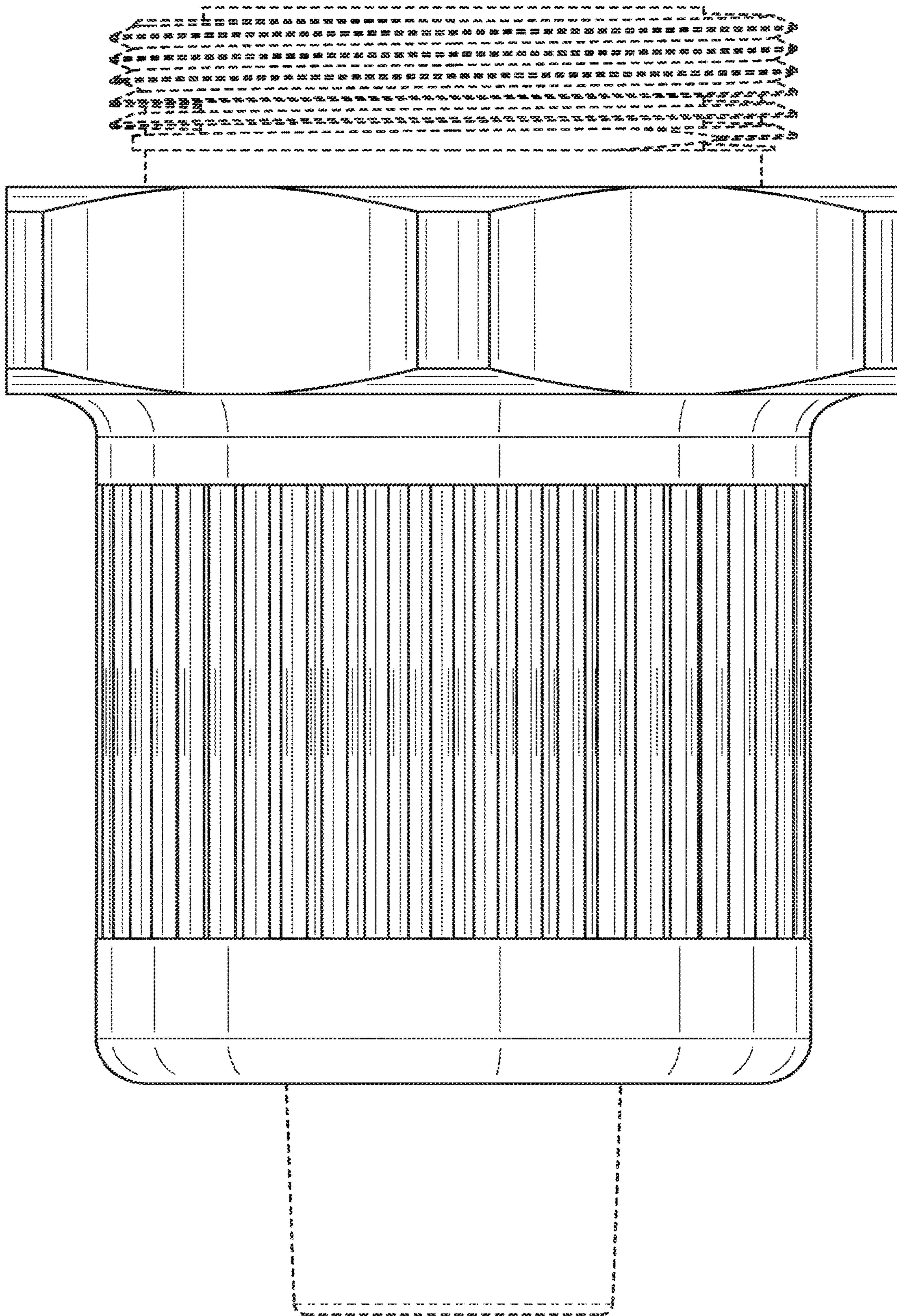


FIG. 6

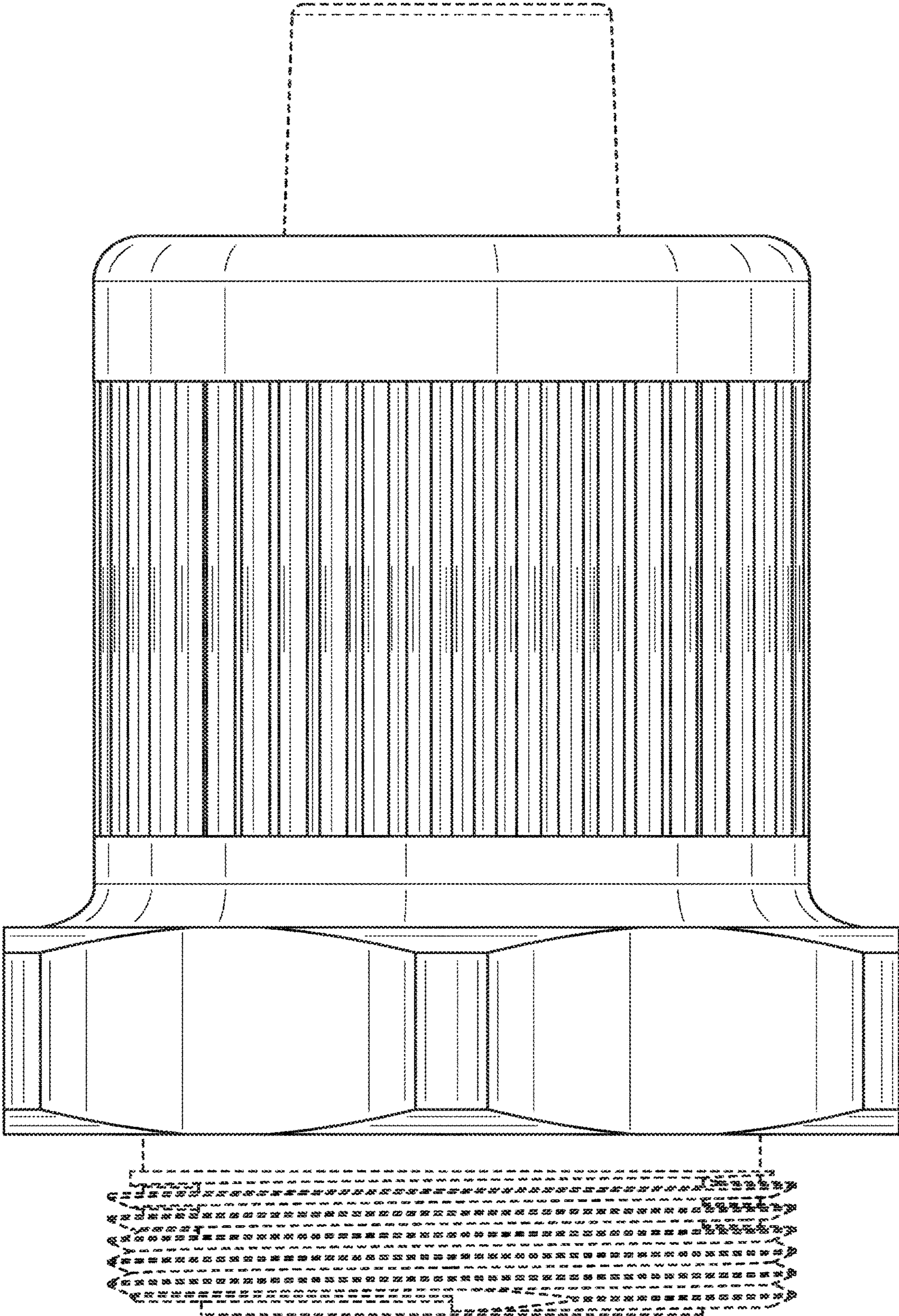


FIG. 7



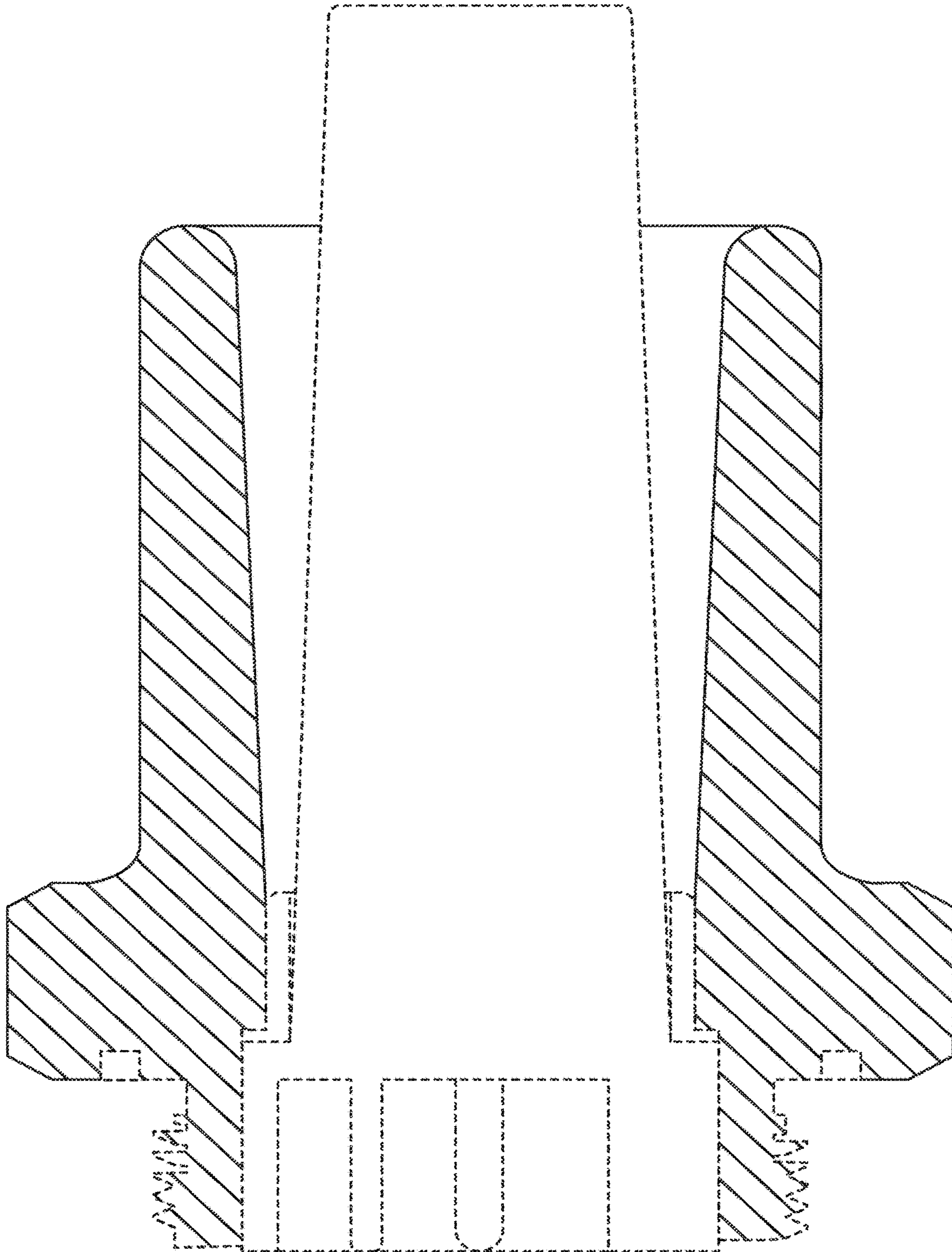


FIG. 8