



US00D868698S

(12) **United States Design Patent** (10) **Patent No.:** **US D868,698 S**
Aromin et al. (45) **Date of Patent:** **** Dec. 3, 2019**

(54) **ARC FAULT CIRCUIT INTERRUPTER
OUTLET ADAPTER**

(71) Applicant: **Tower Manufacturing Corporation,**
Providence, RI (US)

(72) Inventors: **Victor V Aromin,** West Warwick, RI
(US); **Daniel R Paquette,** Woonsocket,
RI (US); **Paul M Piekarski,** Foster, RI
(US); **Louis J. Shatkin,** East
Greenwich, RI (US)

(73) Assignee: **Tower Manufacturing Corp.,**
Providence, RI (US)

(**) Term: **15 Years**

(21) Appl. No.: **29/685,238**

(22) Filed: **Mar. 27, 2019**

Related U.S. Application Data

(63) Continuation-in-part of application No. 29/606,802,
filed on Jun. 7, 2017, which is a continuation-in-part
of application No. 29/600,808, filed on Apr. 16, 2017,
now abandoned.

(51) **LOC (12) Cl.** **13-03**

(52) **U.S. Cl.**
USPC **D13/137.1**

(58) **Field of Classification Search**
USPC D13/107, 108, 110, 123, 133,
D13/137.1-137.4, 138.1-138.2,
D13/139.1-139.8, 152, 154, 184
CPC H01R 11/00; H01R 9/00; H01R 13/00;
H01R 13/04; H01R 13/10; H01R
13/6666; H01R 13/6675; H01R 25/00;
H01R 25/006; H01H 2207/00; H01H
2207/022
See application file for complete search history.

(56) **References Cited**

U.S. PATENT DOCUMENTS

D414,747 S *	10/1999	Aromin	D13/160
D432,990 S *	10/2000	Stekelenburg	D13/137.3
D454,537 S *	3/2002	O'Connor	D13/110
D561,694 S *	2/2008	Lam	D13/110
D633,869 S *	3/2011	Aromin	D13/138.1
D635,937 S *	4/2011	Aromin	D13/138.1
D638,355 S *	5/2011	Chen	D13/110
D652,801 S *	1/2012	Zou	D13/139.8
D653,214 S *	1/2012	Zou	D13/138.2

(Continued)

OTHER PUBLICATIONS

HomeDepot.com: Tower Manufacturing Corporation 3 Wire GFCI
Outlet Adapter. Published Apr. 19, 2017. Retrieved from the internet
at <<https://www.homedepot.com/p/Tower-Manufacturing-Corporation-3-Wire-GFCI-Outlet-Adapter-30439005/>>, Jun. 4, 2019. 1 page.
(Year: 2017).*

Primary Examiner — Rosemary K Tarcza
Assistant Examiner — Christy M Nemeth

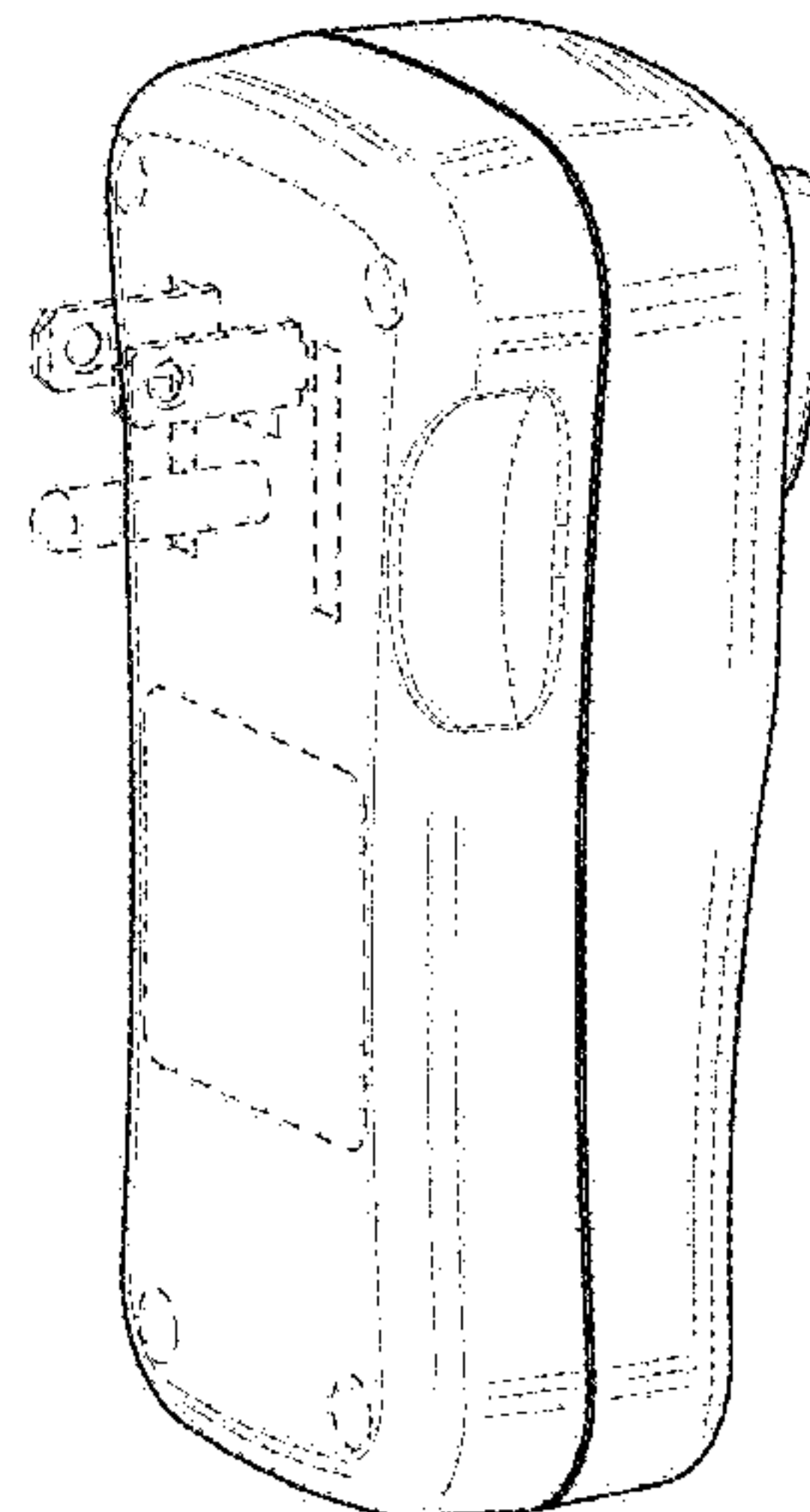
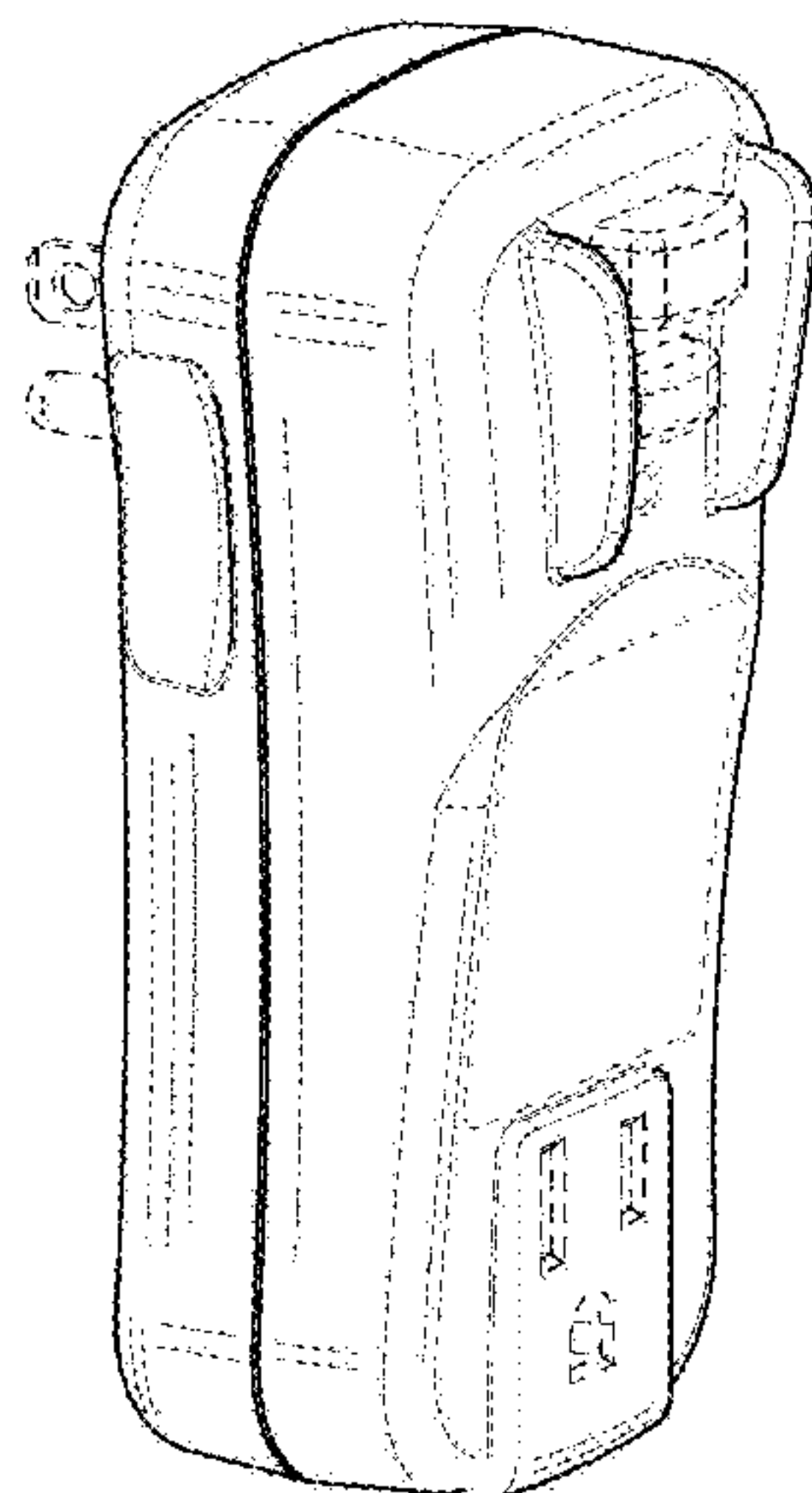
(57) **CLAIM**

The ornamental design for an arc fault circuit interrupter
outlet adapter, substantially as shown and described.

DESCRIPTION

FIG. 1 is a top perspective view of an arc fault circuit
interrupter outlet adapter;
FIG. 2 is a bottom perspective view thereof;
FIG. 3 is a top view thereof;
FIG. 4 is a right view, with the left side view a mirror image
thereof;
FIG. 5 is a bottom view thereof;
FIG. 6 is a rear view thereof; and,
FIG. 7 is a front view thereof.
The broken lines in the drawings are for the purpose of
illustrating portions of the arc fault circuit interrupter outlet
adapter that form no part of the claimed design.

1 Claim, 7 Drawing Sheets



(56)

References Cited

U.S. PATENT DOCUMENTS

8,128,434 B1 * 3/2012 Gandolfi H01R 13/6666
439/620.31
8,182,274 B1 * 5/2012 Cheng H01R 13/652
439/131
D708,575 S * 7/2014 Aromin D13/110
D708,576 S * 7/2014 Aromin D13/110
D731,422 S * 6/2015 Aromin D13/110
D735,136 S * 7/2015 Aromin D13/138.2
D742,831 S * 11/2015 Yu D13/139.6
9,478,382 B1 * 10/2016 Aromin H01H 83/02
D821,977 S * 7/2018 Ye D13/138.2
2018/0220541 A1 * 8/2018 Aromin H02H 3/16

* cited by examiner

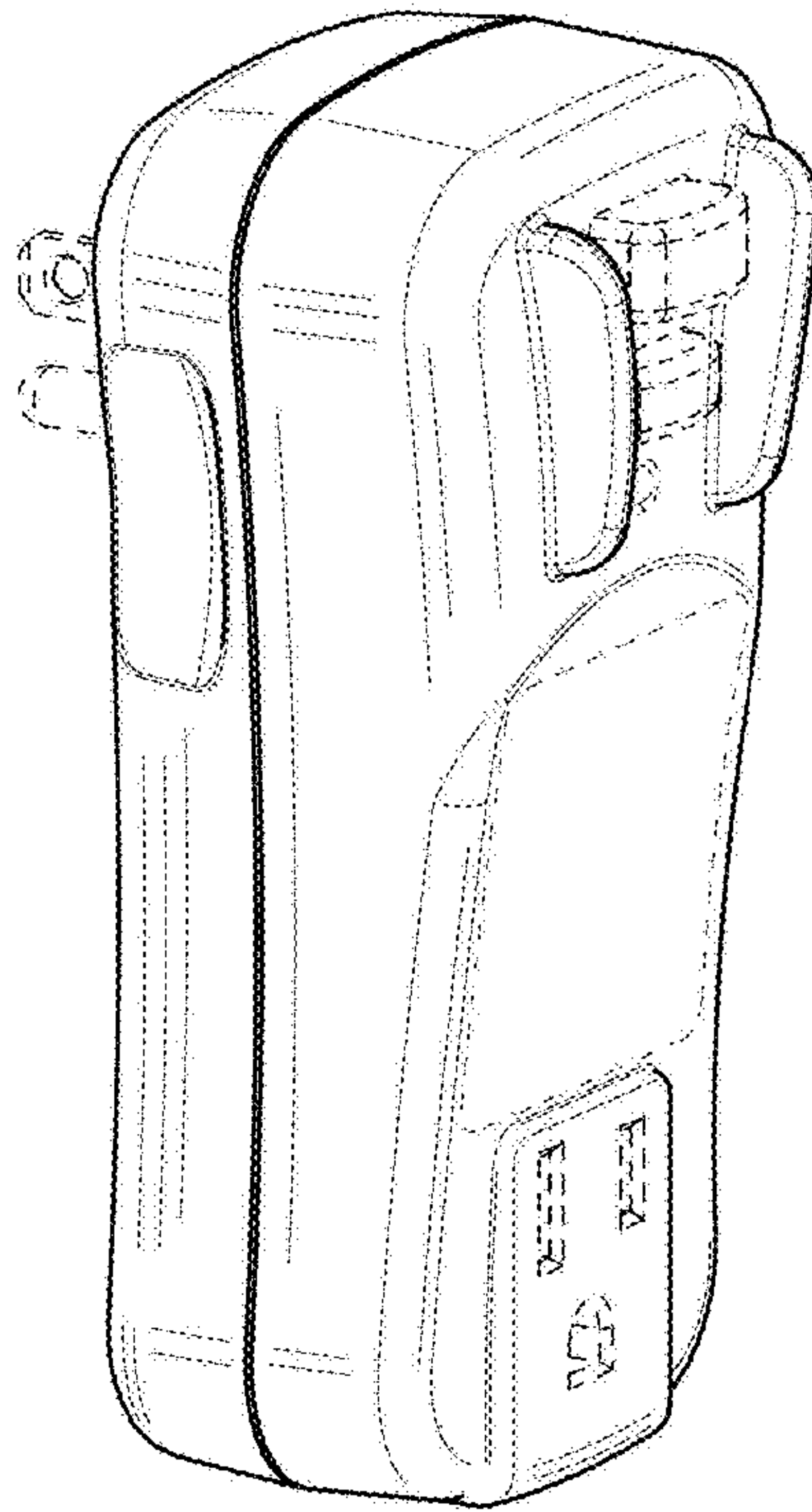


FIG. 1

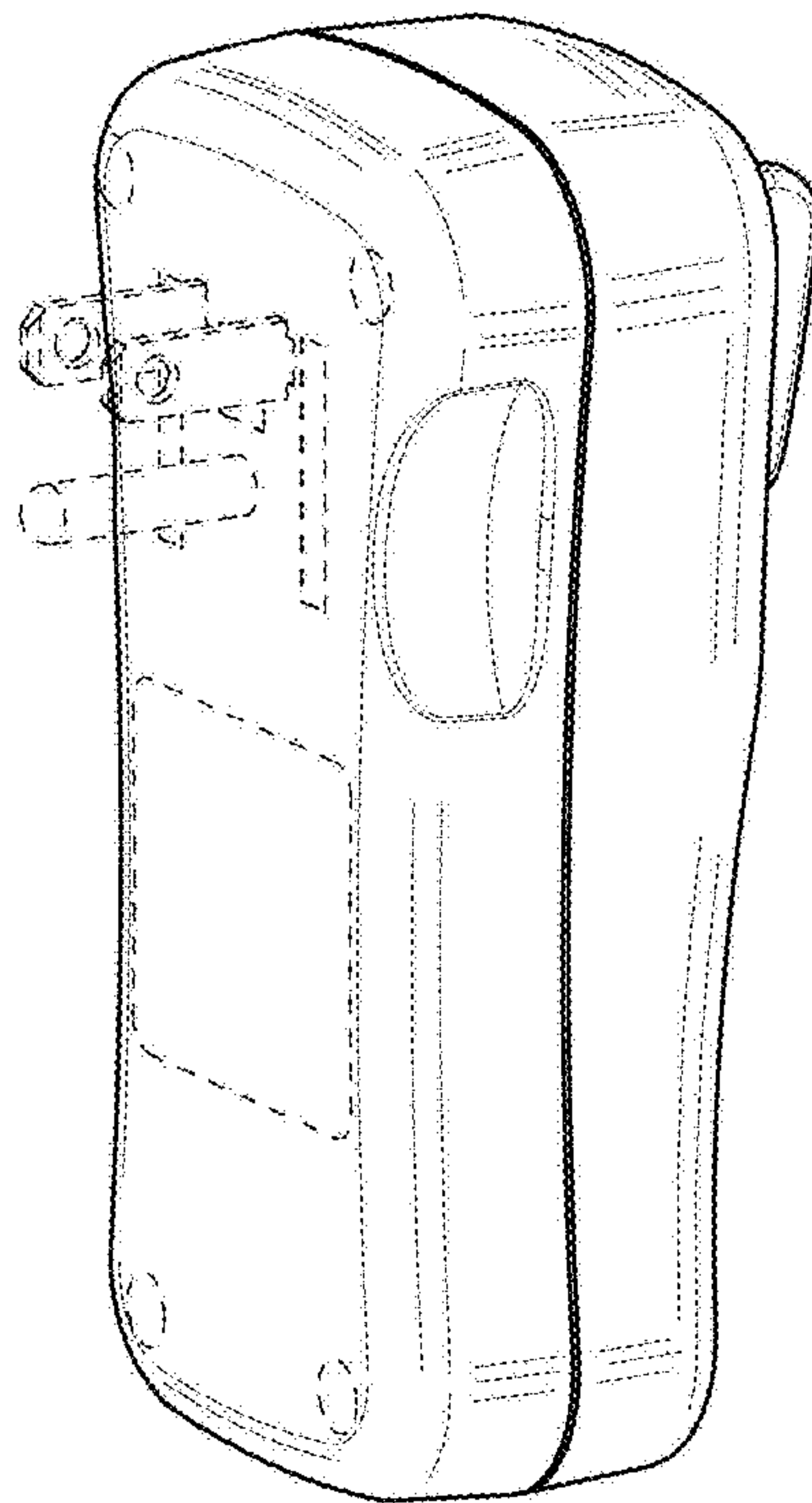


FIG. 2

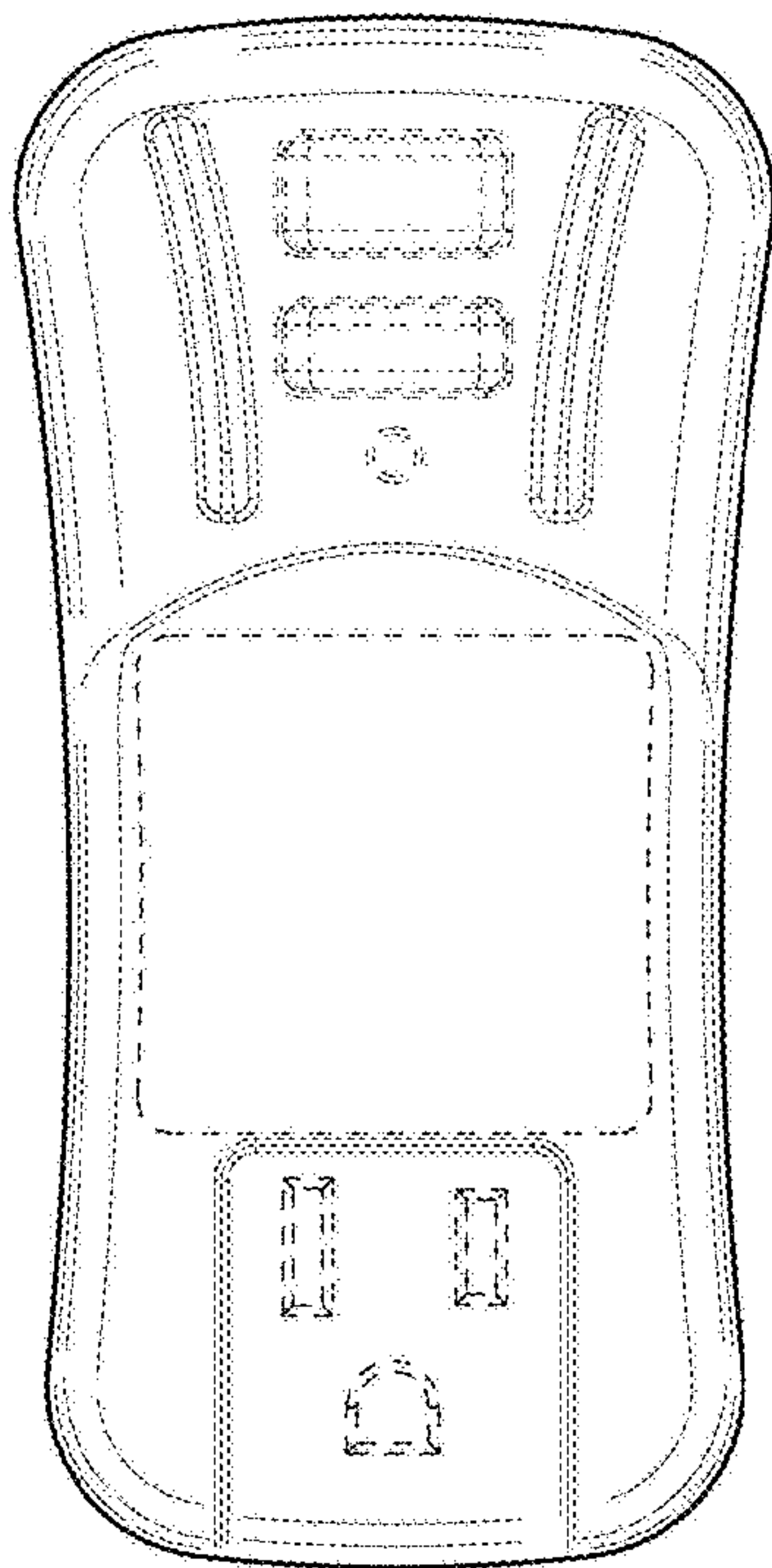


FIG. 3

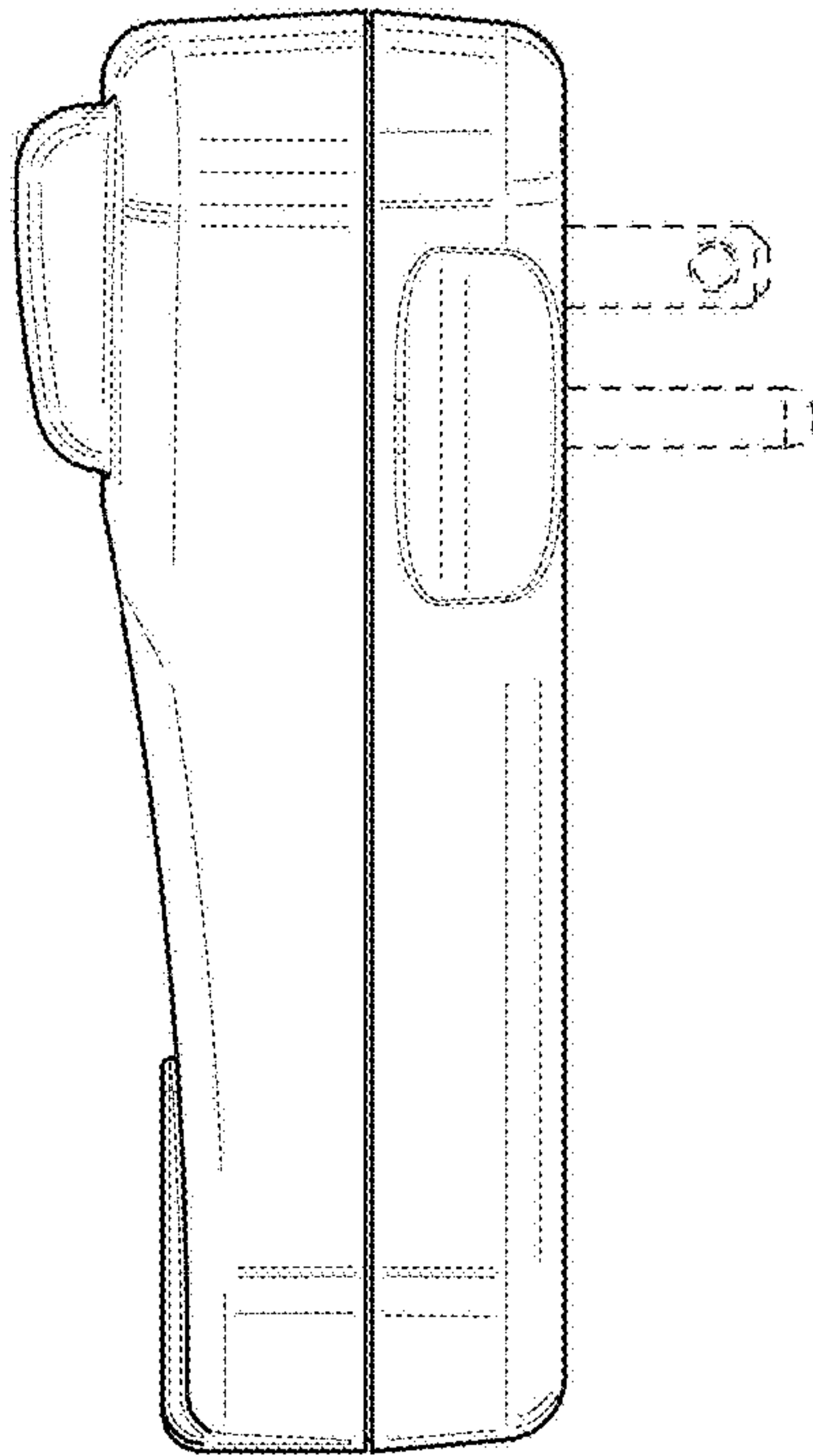


FIG. 4

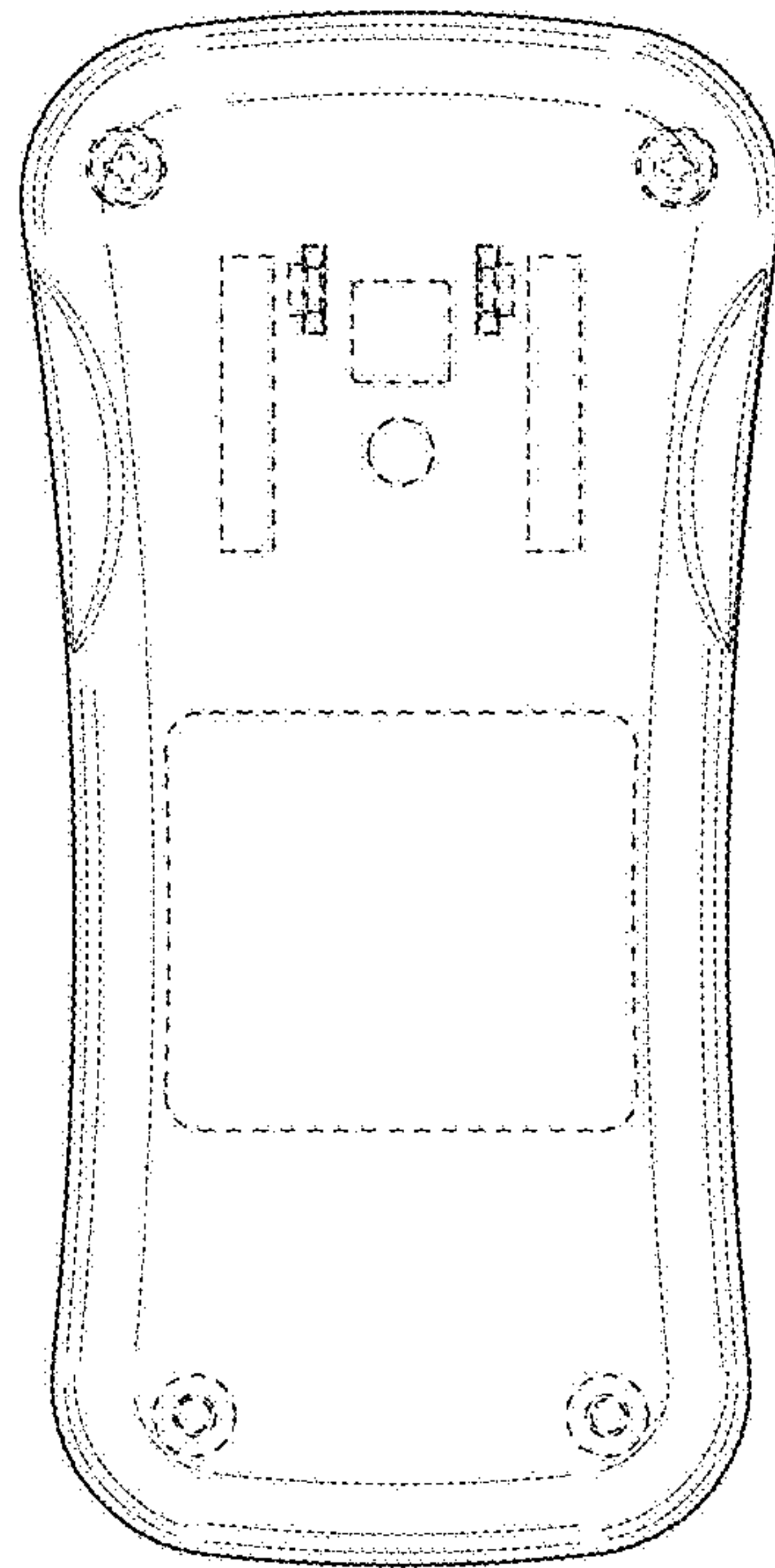


FIG. 5

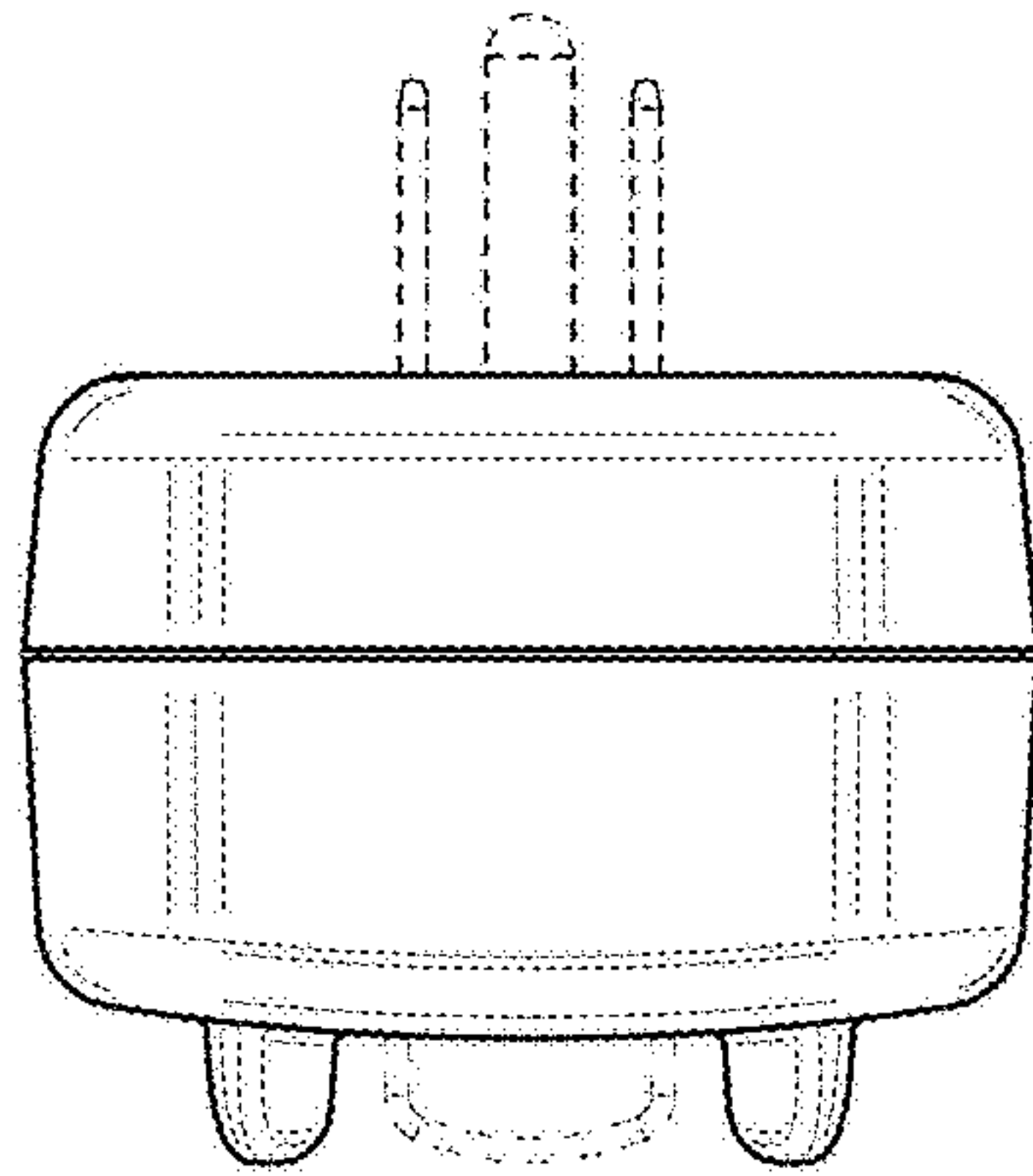


FIG. 6

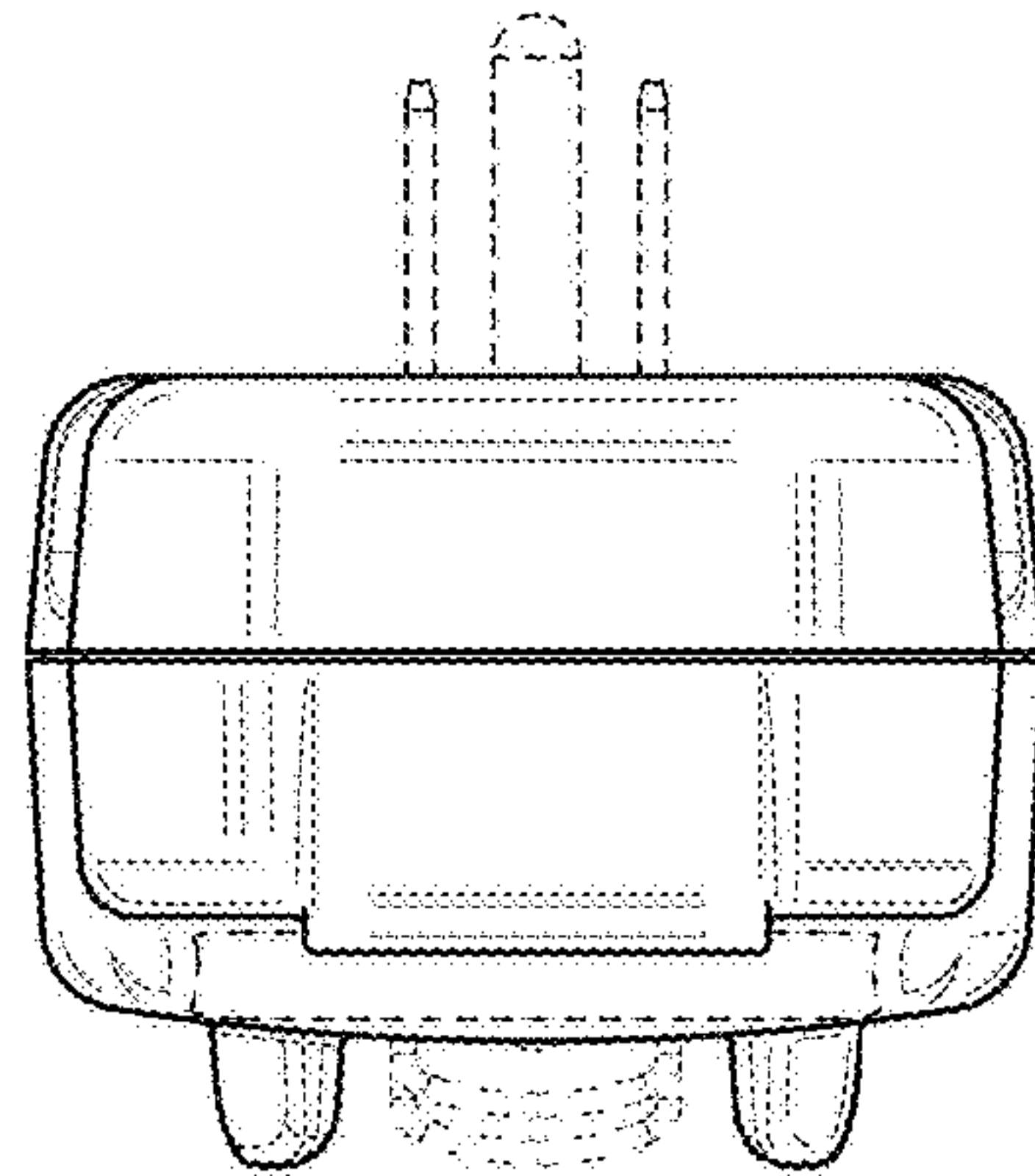


FIG. 7