



US00D868697S

(12) **United States Design Patent**  
**Tanizaki**

(10) **Patent No.:** **US D868,697 S**

(45) **Date of Patent:** **\*\* Dec. 3, 2019**

(54) **TERMINAL METAL FITTING FOR ELECTRICAL CONNECTOR**

(71) Applicant: **SUMITOMO WIRING SYSTEMS, LTD.**, Mie-ken (JP)

(72) Inventor: **Toshifumi Tanizaki**, Yokkaichi (JP)

(73) Assignee: **SUMITOMO WIRING SYSTEMS, LTD.**, Mie-Ken (JP)

(\*\*) Term: **15 Years**

(21) Appl. No.: **29/666,840**

(22) Filed: **Oct. 16, 2018**

(30) **Foreign Application Priority Data**

Apr. 20, 2018 (JP) ..... 2018-008774

(51) **LOC (12) Cl.** ..... **13-03**

(52) **U.S. Cl.**  
USPC ..... **D13/133**

(58) **Field of Classification Search**  
USPC ..... D13/118–123, 133, 146, 147, 149,  
D13/151–156, 173, 184, 199  
CPC ... H01R 4/18; H01R 4/48; H01R 9/05; H01R  
9/24; H01R 13/00; H01R 13/03; H01R  
13/04; H01R 13/11; H01R 13/115; H01R  
13/422; H01R 13/428; H01R 13/642;  
H01R 43/16

See application file for complete search history.

(56) **References Cited**

**U.S. PATENT DOCUMENTS**

4,168,878 A 9/1979 Risser et al.  
4,461,531 A \* 7/1984 Davis ..... H01R 43/26  
439/843  
D280,401 S \* 9/1985 Armistead ..... D13/133  
D284,267 S 6/1986 Lindell  
4,596,440 A \* 6/1986 Quam ..... H01R 13/17  
439/827

4,913,678 A \* 4/1990 Avellino ..... H01R 4/029  
439/879

5,111,520 A 5/1992 Kawanami et al.  
5,135,418 A \* 8/1992 Hatagishi ..... H01R 13/111  
439/851

D336,070 S 6/1993 Clark  
(Continued)

**FOREIGN PATENT DOCUMENTS**

JP D1073839 S 6/2000

**OTHER PUBLICATIONS**

Design HMI Terminals, dated Apr. 14, 2017, [online], [site visited Jul. 29, 2019]. Available from Internet, URL: <http://www.designhmi.com/2017/04/14/press-fit-terminals/> (Year: 2017).\*

(Continued)

*Primary Examiner* — Angela J Lee

*Assistant Examiner* — Shawn T Gingrich

(74) *Attorney, Agent, or Firm* — Cantor Colburn LLP

(57) **CLAIM**

The ornamental design for a terminal metal fitting for electrical connector, as shown and described.

**DESCRIPTION**

FIG. 1 is a front, top and right side perspective view of a terminal metal fitting for electrical connector showing my new design;

FIG. 2 is a rear, bottom, and left side perspective view thereof;

FIG. 3 is a front view thereof, the rear view being a mirror image of FIG. 3;

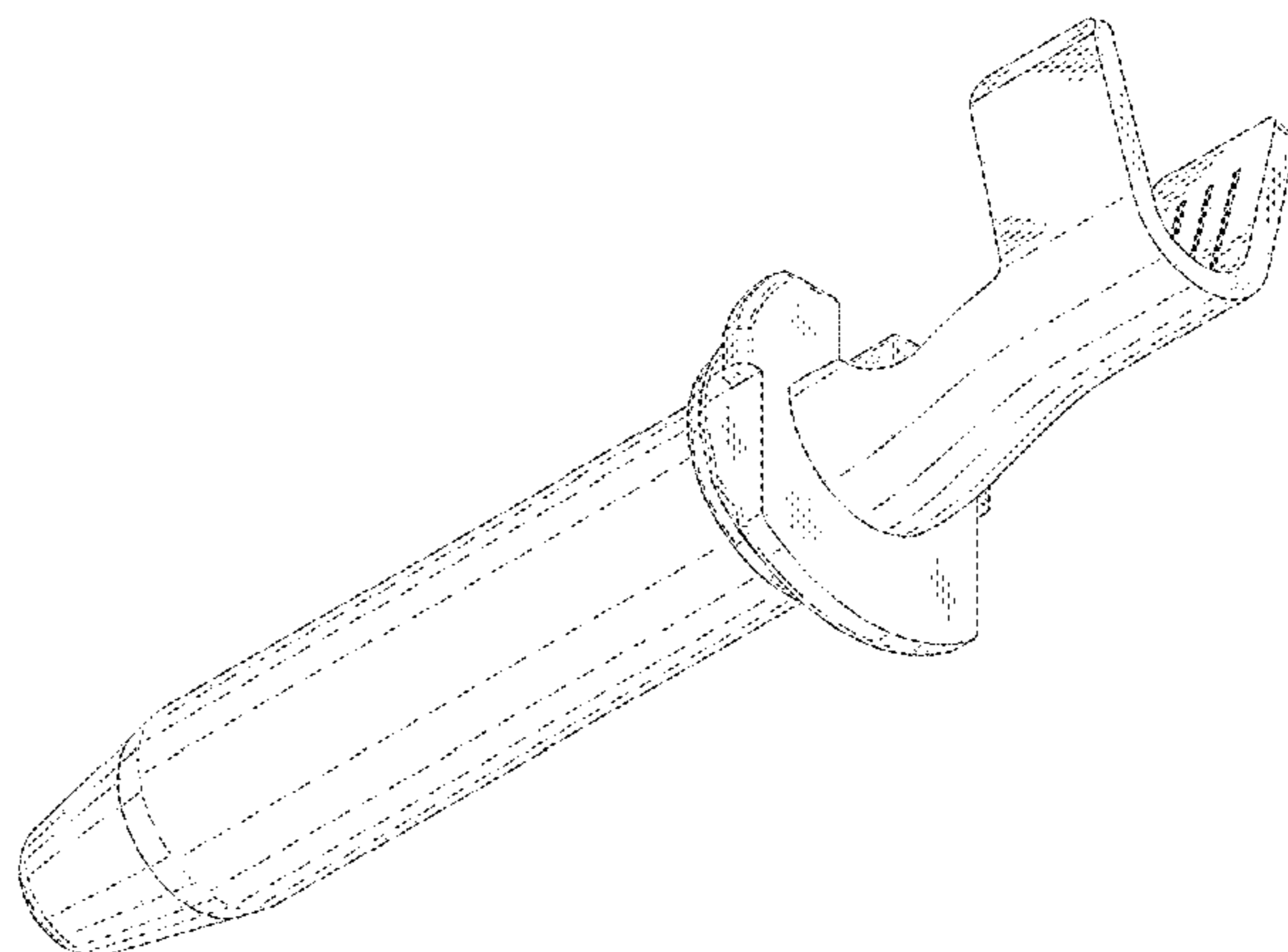
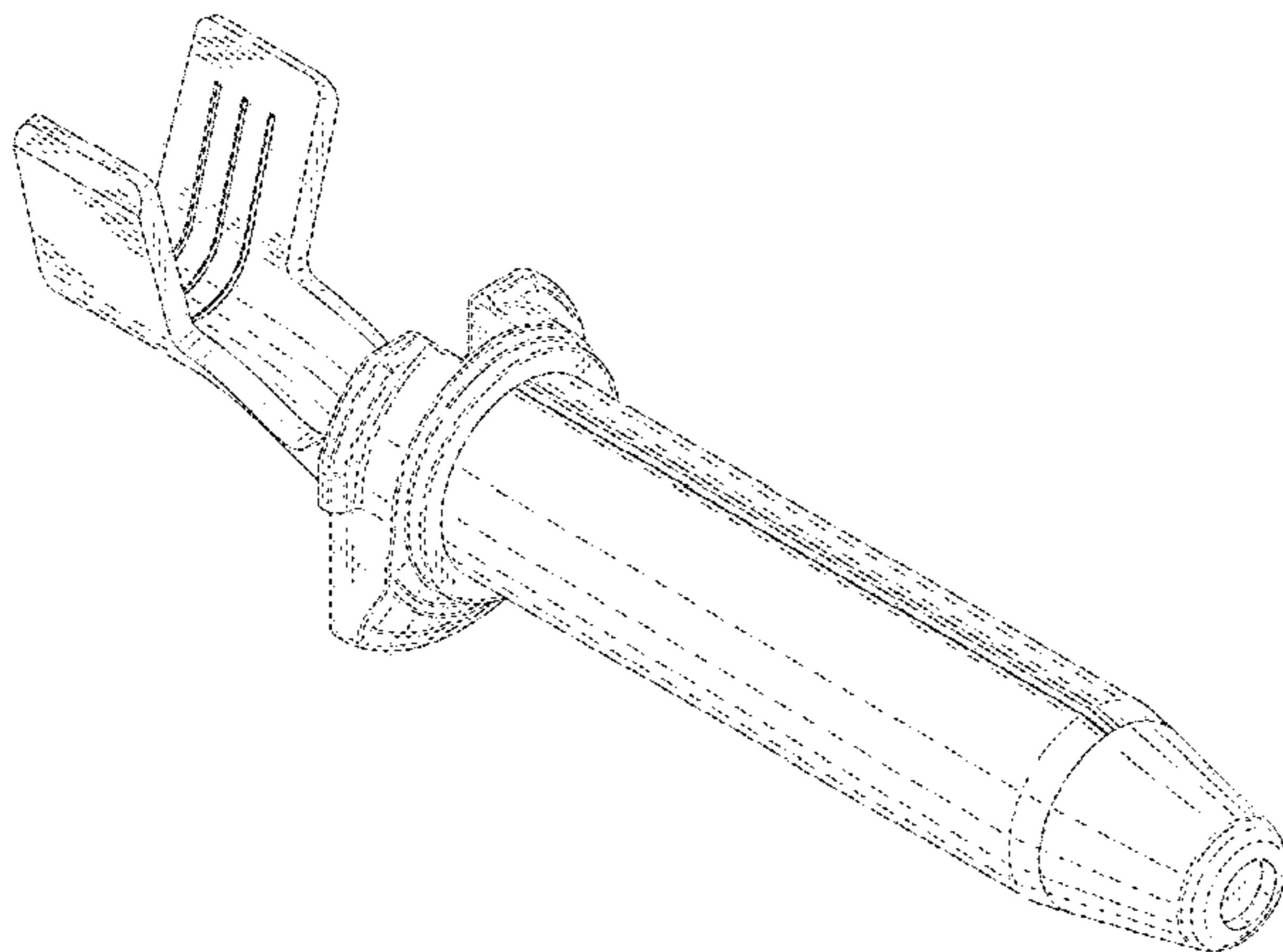
FIG. 4 is a top plan view thereof;

FIG. 5 is a bottom plan view thereof;

FIG. 6 is a right side view thereof; and,

FIG. 7 is a left side view thereof.

**1 Claim, 6 Drawing Sheets**



(56)

**References Cited**

U.S. PATENT DOCUMENTS

5,266,056 A \* 11/1993 Baderschneider ... H01R 13/432  
439/745

5,658,175 A 8/1997 Muzslay

6,165,003 A \* 12/2000 Bigotto ..... H01R 4/242  
439/395

6,254,439 B1 7/2001 Endo et al.

D503,385 S \* 3/2005 Hosokawa ..... D13/147

D568,245 S \* 5/2008 Kudo ..... D13/133

D592,150 S \* 5/2009 Ogata ..... D13/154

D770,978 S \* 11/2016 Reese ..... D13/133

2006/0024993 A1 \* 2/2006 Gonzalez ..... H01R 13/17  
439/79

2008/0146090 A1 \* 6/2008 Shimizu ..... H01R 13/4223  
439/842

2009/0036002 A1 2/2009 Arai

2009/0047815 A1 \* 2/2009 Nicholson ..... H01R 13/5202  
439/281

2013/0052883 A1 \* 2/2013 Iihoshi ..... H01R 13/434  
439/748

2013/0065459 A1 \* 3/2013 Hirabayashi ..... H01R 13/04  
439/852

2014/0087607 A1 3/2014 Kojima et al.

2015/0380863 A1 \* 12/2015 Uchida ..... H01R 4/185  
439/587

2016/0020528 A1 \* 1/2016 Miyakawa ..... H01R 13/111  
439/870

2016/0126657 A1 5/2016 Hirakawa et al.

2016/0134030 A1 5/2016 Ohkubo et al.

2017/0033486 A1 \* 2/2017 Saka ..... H01R 13/03

2017/0170593 A1 \* 6/2017 Uezono ..... H01R 13/4223

2017/0324180 A1 \* 11/2017 Natsume ..... H01R 13/03

2019/0199008 A1 \* 6/2019 Kanemura ..... H01R 4/185

OTHER PUBLICATIONS

Notice of Allowance issued in U.S. Appl. No. 29/666,839 dated Aug. 7, 2019; 12 pages.

\* cited by examiner

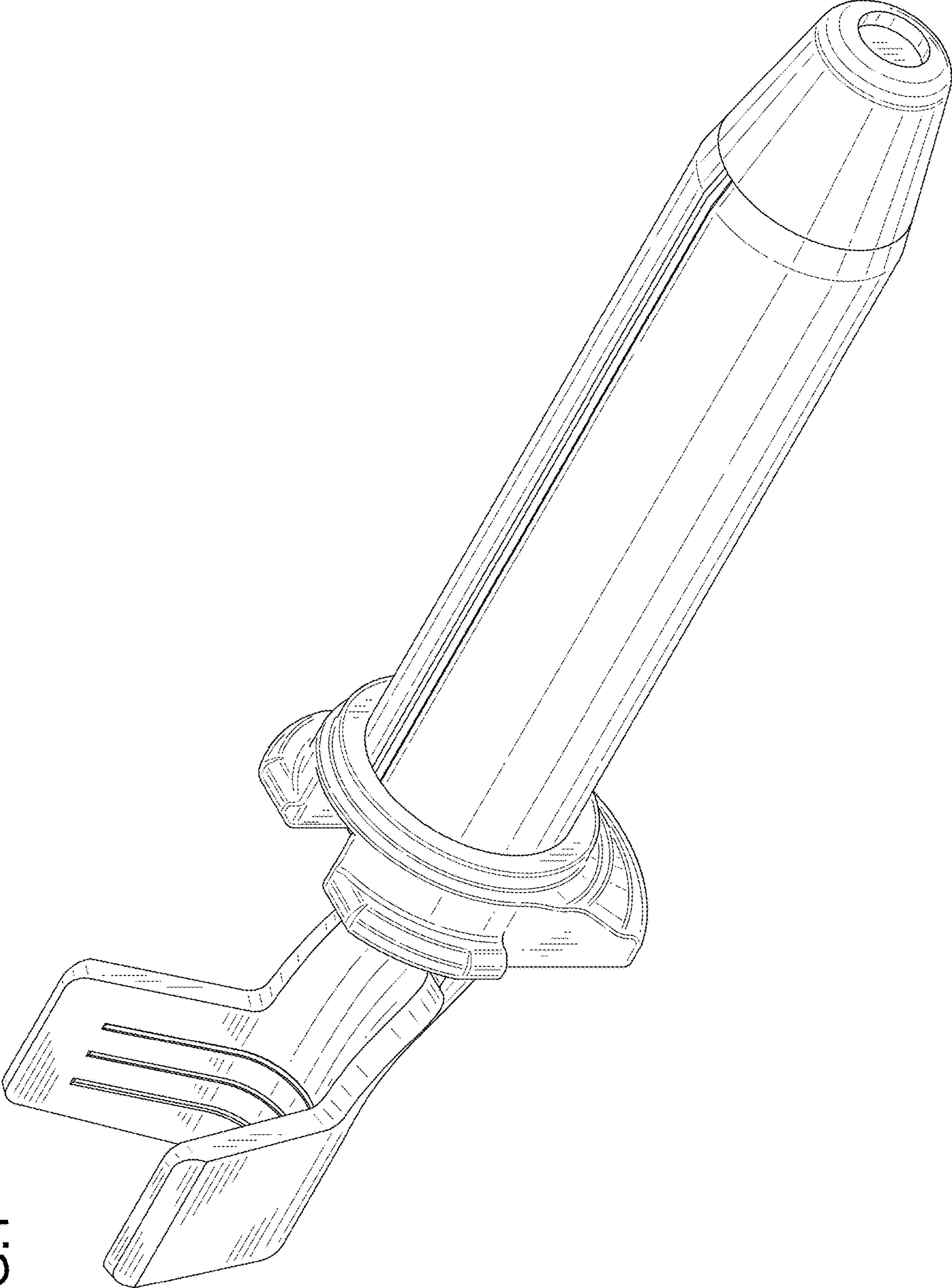


FIG.1



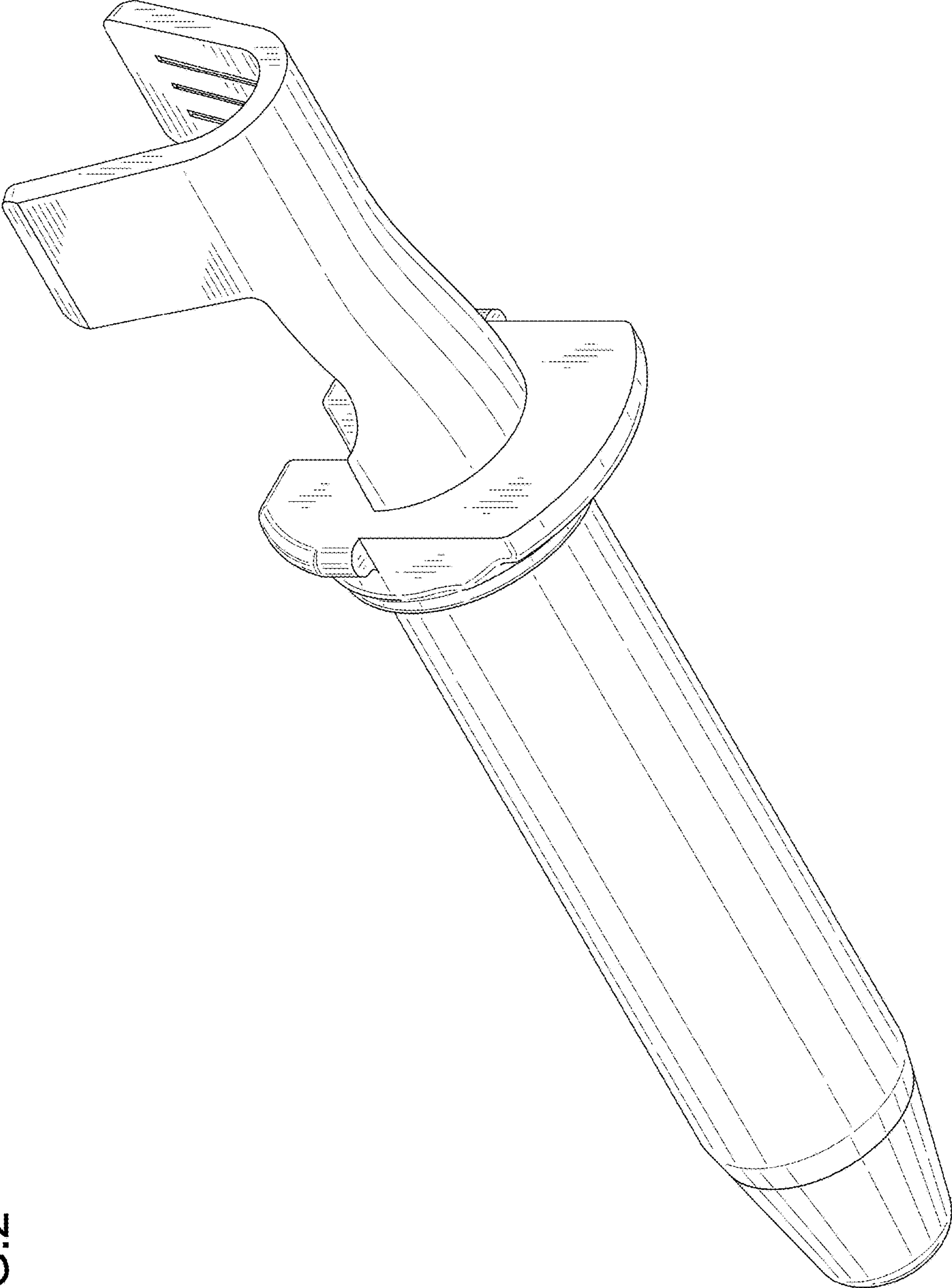


FIG.2

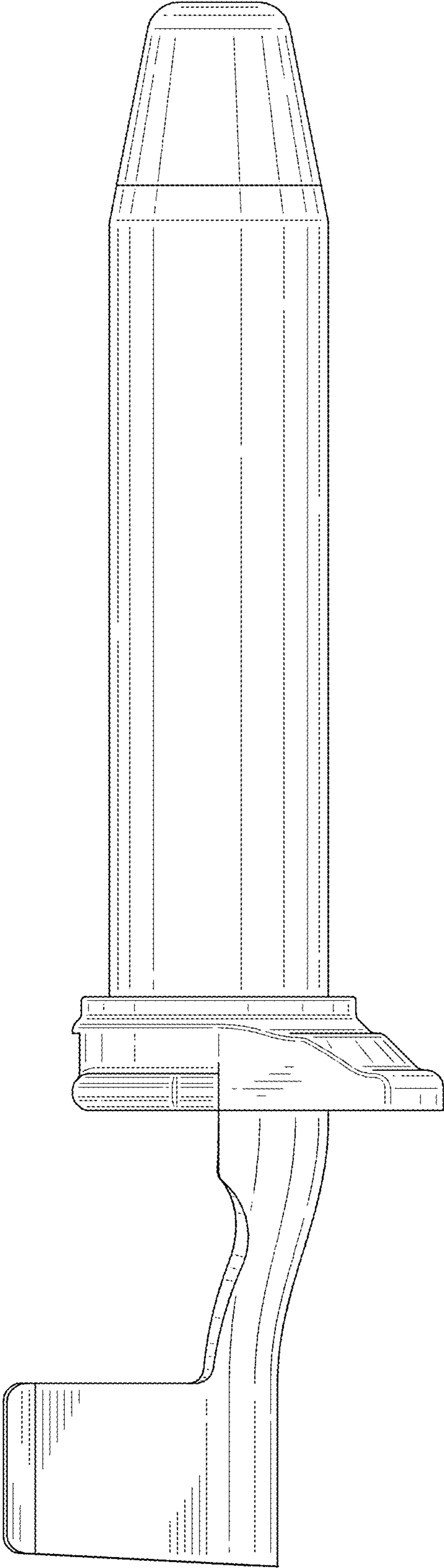


FIG.3

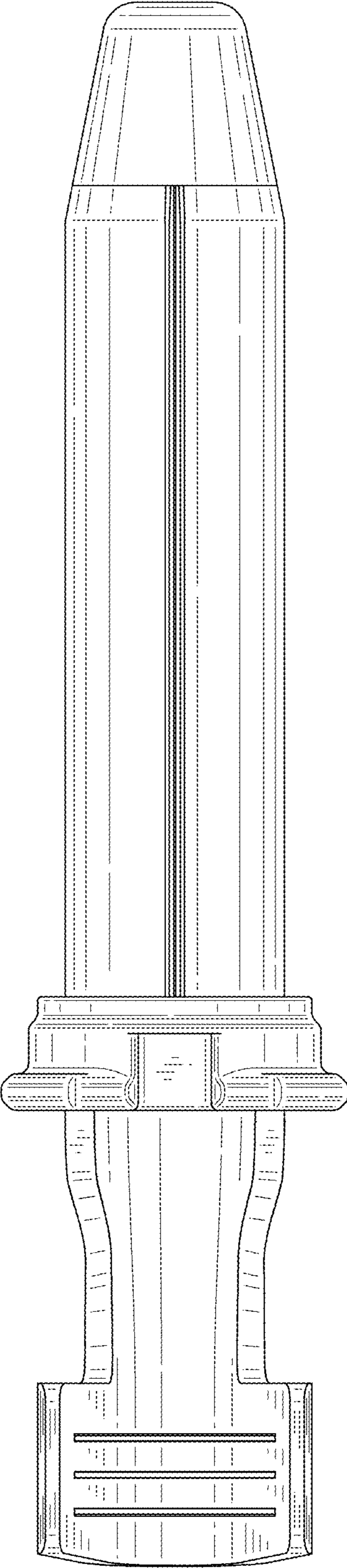


FIG.4

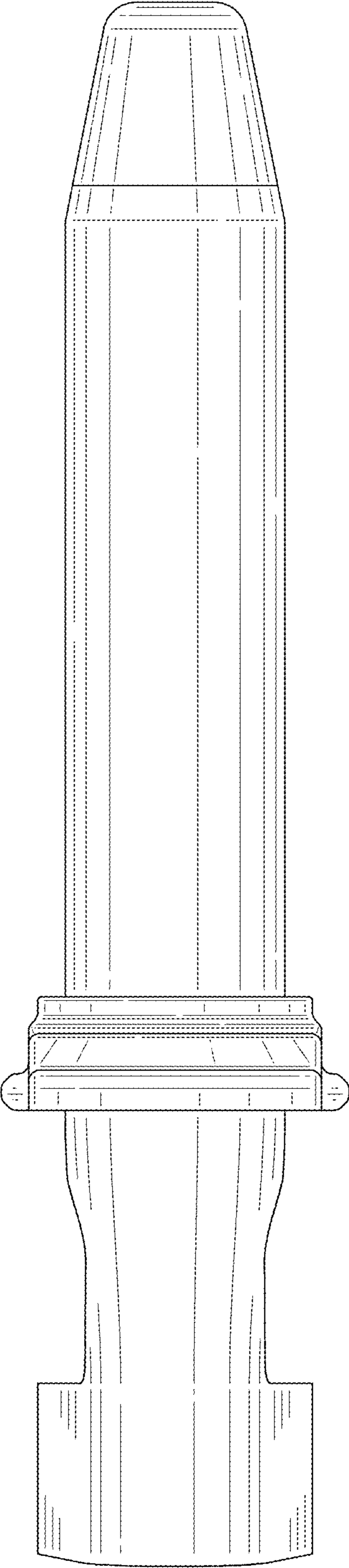


FIG.5

FIG.6

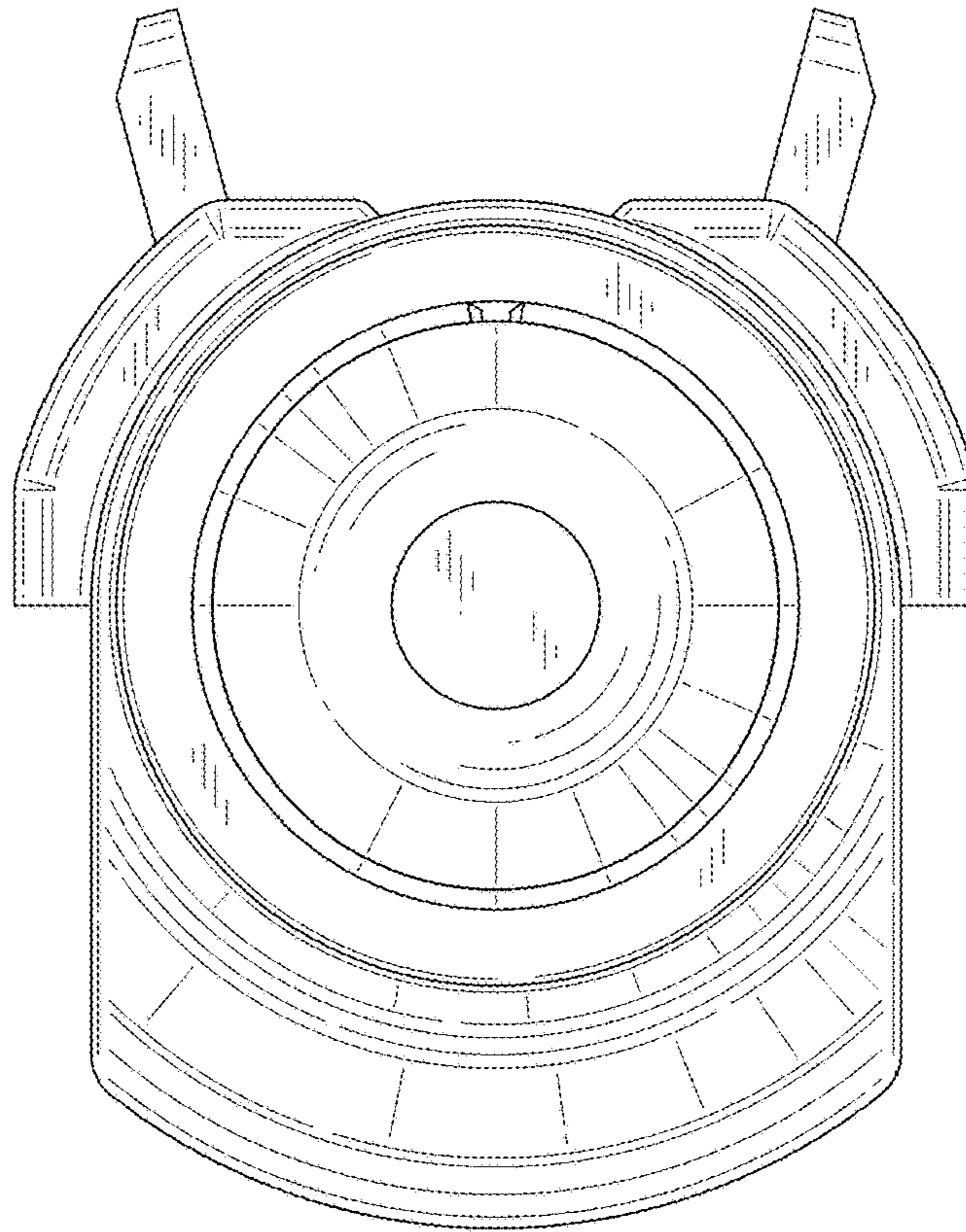


FIG.7

