



US00D868696S

(12) **United States Design Patent**
Tanizaki

(10) **Patent No.:** **US D868,696 S**
(45) **Date of Patent:** **** Dec. 3, 2019**

(54) **TERMINAL METAL FITTING FOR ELECTRICAL CONNECTOR**

D284,267 S * 6/1986 Lindell D8/385
4,596,440 A 6/1986 Quam
4,913,678 A 4/1990 Avellino et al.

(Continued)

(71) Applicant: **SUMITOMO WIRING SYSTEMS, LTD.**, Mie-ken (JP)

FOREIGN PATENT DOCUMENTS

(72) Inventor: **Toshifumi Tanizaki**, Yokkaichi (JP)

JP D1073839 S 6/2000

(73) Assignee: **SUMITOMO WIRING SYSTEMS, LTD.**, Mie-Ken (JP)

OTHER PUBLICATIONS

(**) Term: **15 Years**

Design HMI Terminals, dated Apr. 14, 2017, [online], [site visited Jul. 29, 2019]. Available from Internet, URL:[http://www.designhmi.com/2017/04/14/press-fit-terminals/\(Year:2017\)](http://www.designhmi.com/2017/04/14/press-fit-terminals/(Year:2017)).

(Continued)

(21) Appl. No.: **29/666,839**

Primary Examiner — Angela J Lee
Assistant Examiner — Shawn T Gingrich
(74) *Attorney, Agent, or Firm* — Cantor Colburn LLP

(22) Filed: **Oct. 16, 2018**

(30) **Foreign Application Priority Data**

Apr. 20, 2018 (JP) 2018-008779

(51) **LOC (12) Cl.** **13-03**

(52) **U.S. Cl.**
USPC **D13/133**

(58) **Field of Classification Search**

USPC D13/118–123, 133, 146, 147, 149,
D13/151–156, 173, 184, 199
CPC ... H01R 4/18; H01R 4/48; H01R 9/05; H01R
9/24; H01R 13/00; H01R 13/03; H01R
13/04; H01R 13/11; H01R 13/115; H01R
13/422; H01R 13/428; H01R 13/642;
H01R 43/16

See application file for complete search history.

(57) **CLAIM**

The ornamental design for a terminal metal fitting for electrical connector, as shown and described.

DESCRIPTION

FIG. 1 is a front, top and right side perspective view of a terminal metal fitting for electrical connector showing my new design;

FIG. 2 is a rear, bottom, and left side perspective view thereof;

FIG. 3 is a front view thereof, the rear view being a mirror image of FIG. 3;

FIG. 4 is a top plan view thereof;

FIG. 5 is a bottom plan view thereof;

FIG. 6 is a right side view thereof;

FIG. 7 is a left side view thereof; and,

FIG. 8 is a cross-sectional view taken along line 8-8 in FIG. 3.

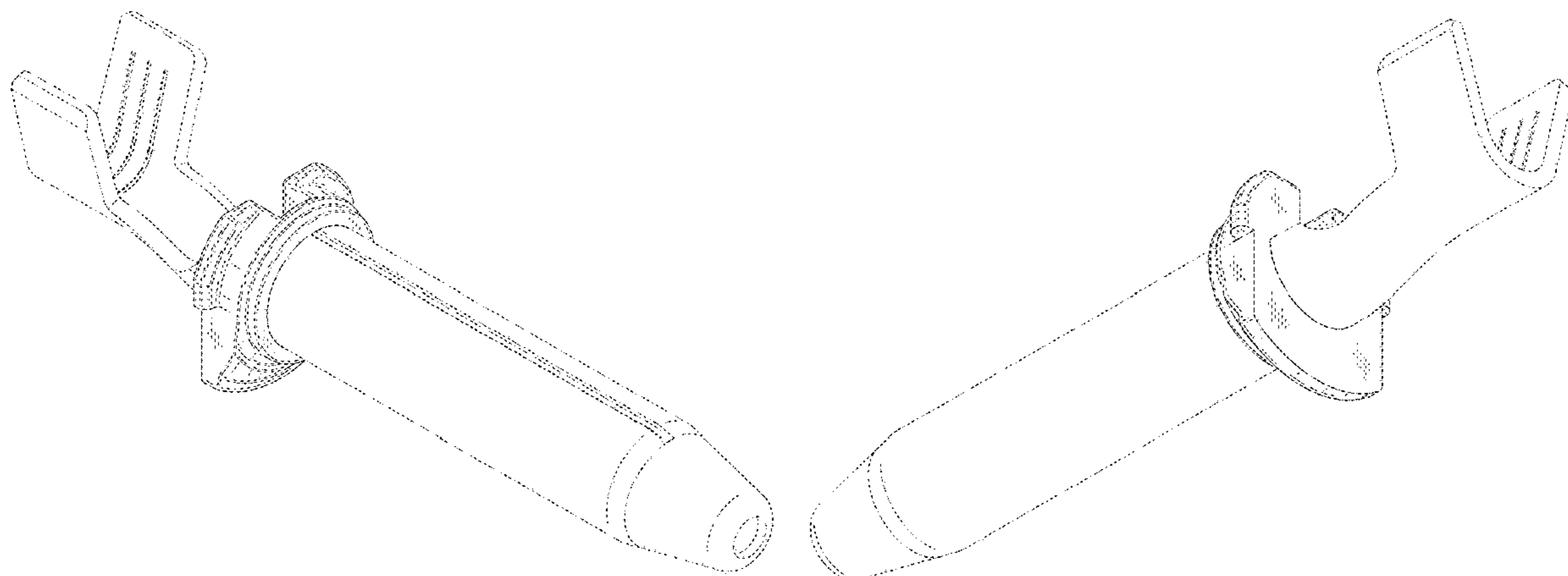
The broken lines illustrate portions of the terminal metal fitting for electrical connector and form no part of the claimed design.

1 Claim, 7 Drawing Sheets

(56) **References Cited**

U.S. PATENT DOCUMENTS

4,168,878 A * 9/1979 Risser H01R 13/111
439/200
4,461,531 A * 7/1984 Davis H01R 43/26
439/843
D280,401 S * 9/1985 Armistead D13/133



(56)

References Cited

U.S. PATENT DOCUMENTS

5,111,520 A * 5/1992 Kawanami G02B 6/3838
385/80
5,135,418 A * 8/1992 Hatagishi H01R 13/111
439/851
D336,070 S * 6/1993 Clark D13/133
5,266,056 A 11/1993 Baderschneider et al.
5,658,175 A * 8/1997 Muzslay H01R 13/111
29/874
6,165,003 A 12/2000 Bigotto
6,254,439 B1 * 7/2001 Endo H01R 13/187
439/843
D503,385 S * 3/2005 Hosokawa D13/147
D568,245 S 5/2008 Kudo
D592,150 S 5/2009 Ogata et al.
D770,978 S 11/2016 Reese et al.
2006/0024993 A1 * 2/2006 Gonzalez H01R 13/17
439/79
2008/0146090 A1 6/2008 Shimizu
2009/0036002 A1 * 2/2009 Arai H01R 13/432
439/825

2009/0047815 A1 * 2/2009 Nicholson H01R 13/5202
439/281
2013/0052883 A1 2/2013 Iihoshi
2013/0065459 A1 3/2013 Hirabayashi et al.
2014/0087607 A1 * 3/2014 Kojima H01R 13/04
439/891
2015/0380863 A1 12/2015 Uchida
2016/0020528 A1 1/2016 Miyakawa
2016/0126657 A1 * 5/2016 Hirakawa H01R 13/42
439/733.1
2016/0134030 A1 * 5/2016 Ohkubo H01R 13/04
439/877
2017/0033486 A1 2/2017 Saka et al.
2017/0170593 A1 6/2017 Uezono
2017/0324180 A1 11/2017 Natsume et al.
2019/0199008 A1 6/2019 Kanemura et al.

OTHER PUBLICATIONS

Notice of Allowance and Fee(s) Due issued in U.S. Appl. No. 29/666,840 dated Aug. 8, 2019; 12 pages.

* cited by examiner

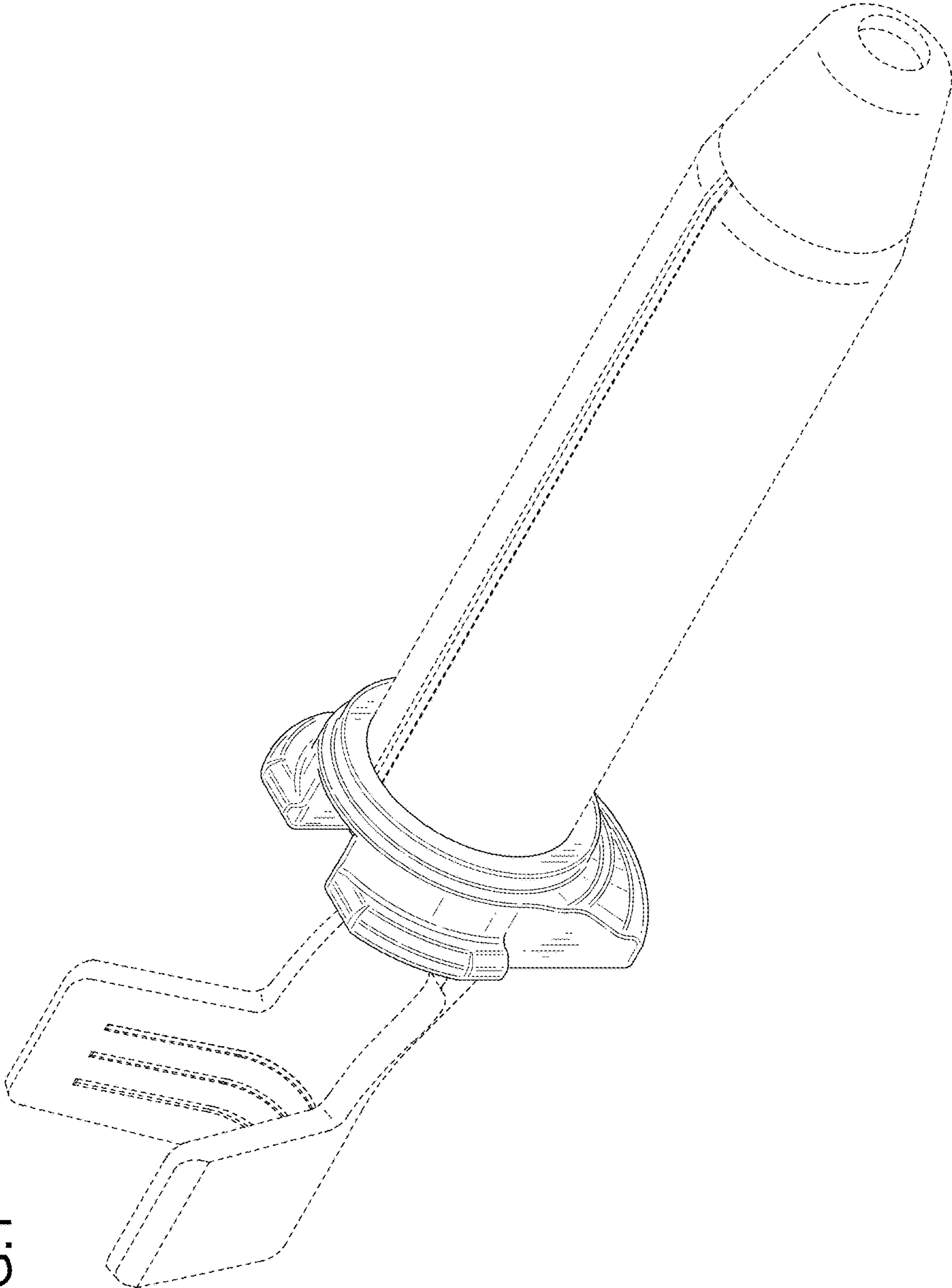


FIG.1

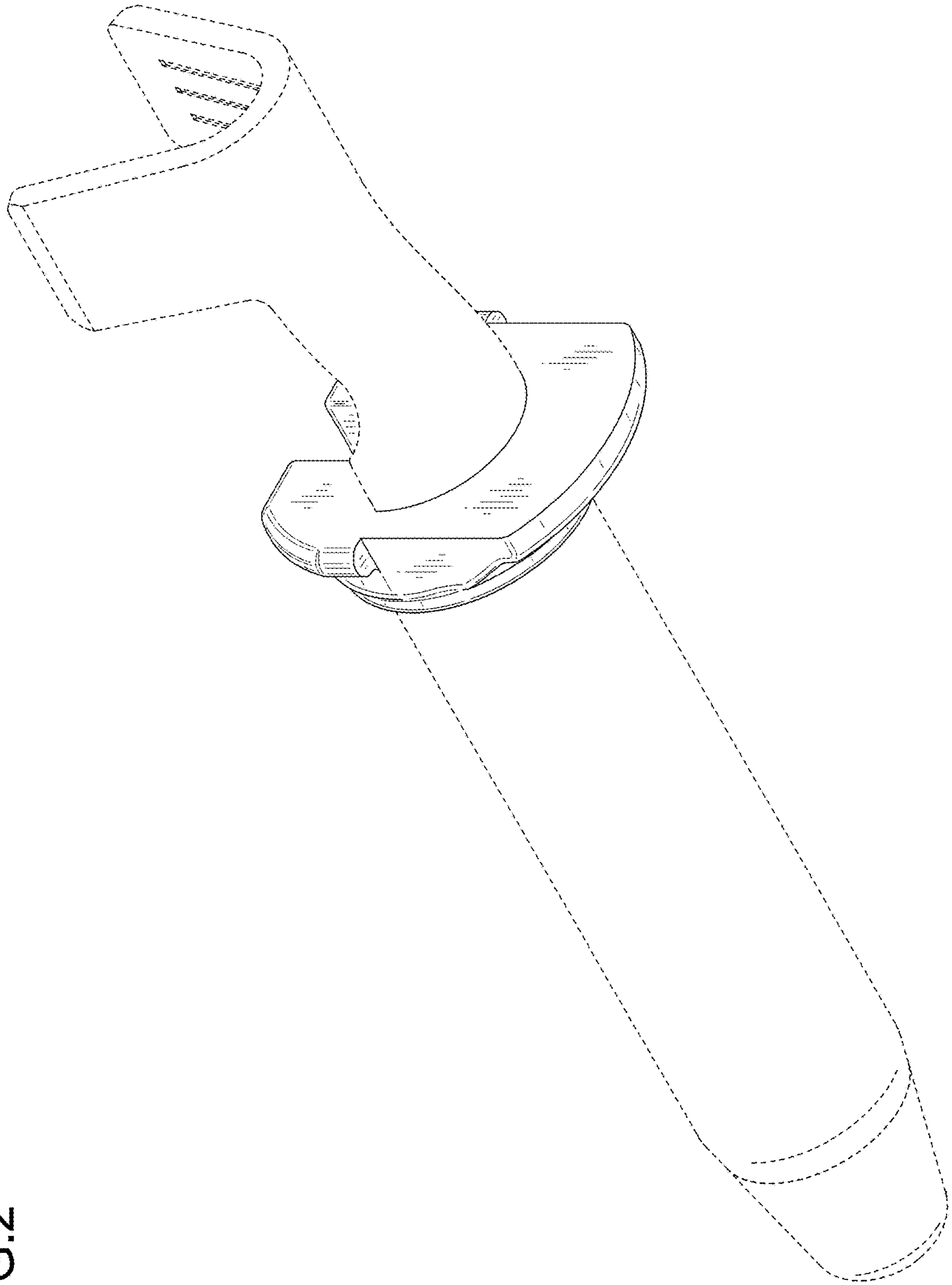
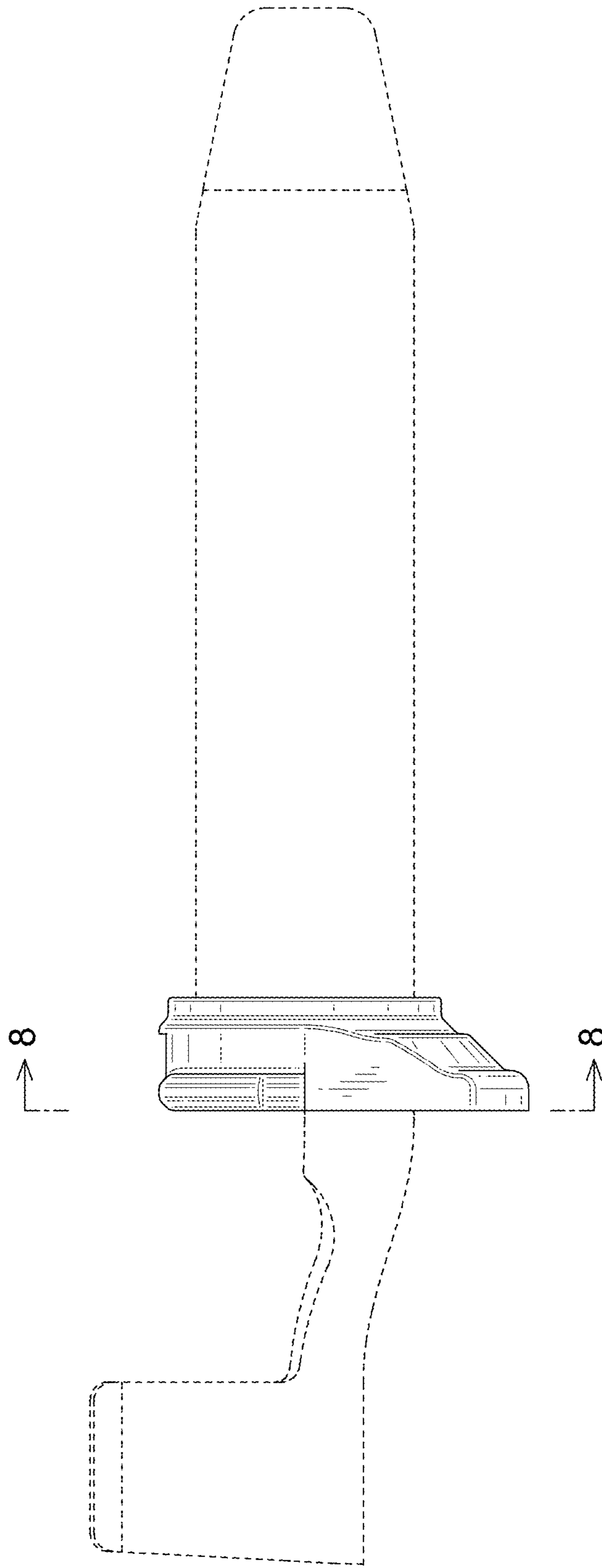


FIG.2

FIG.3



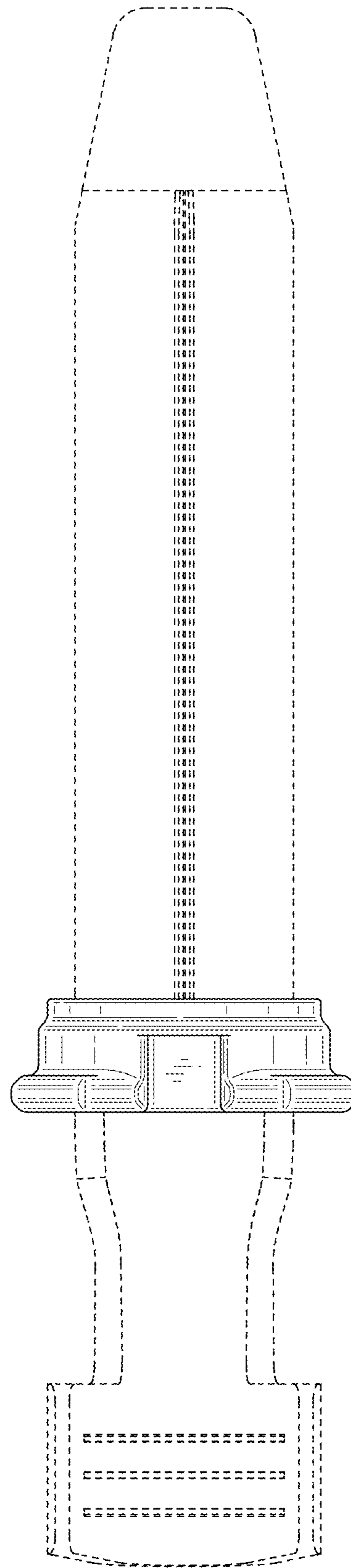


FIG.4

FIG.5

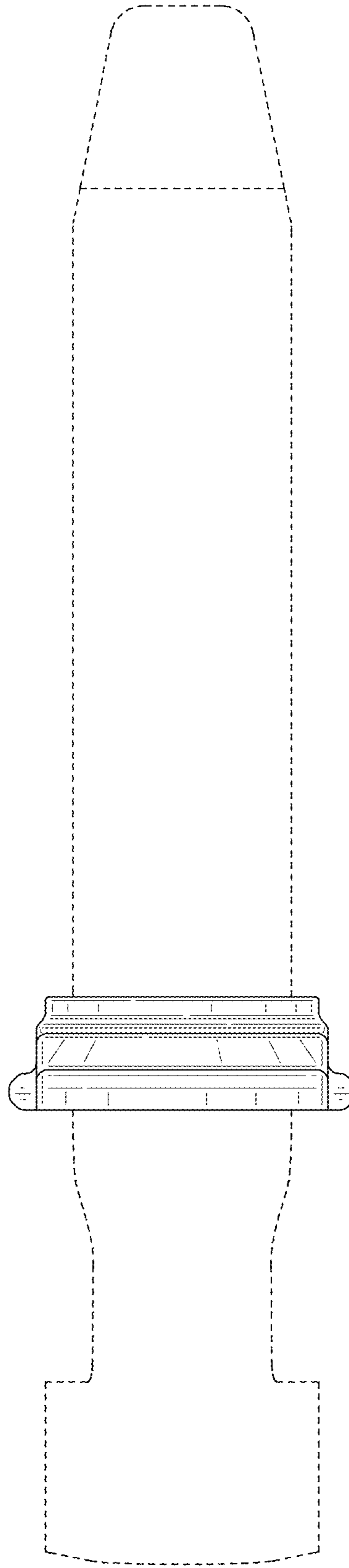


FIG.6

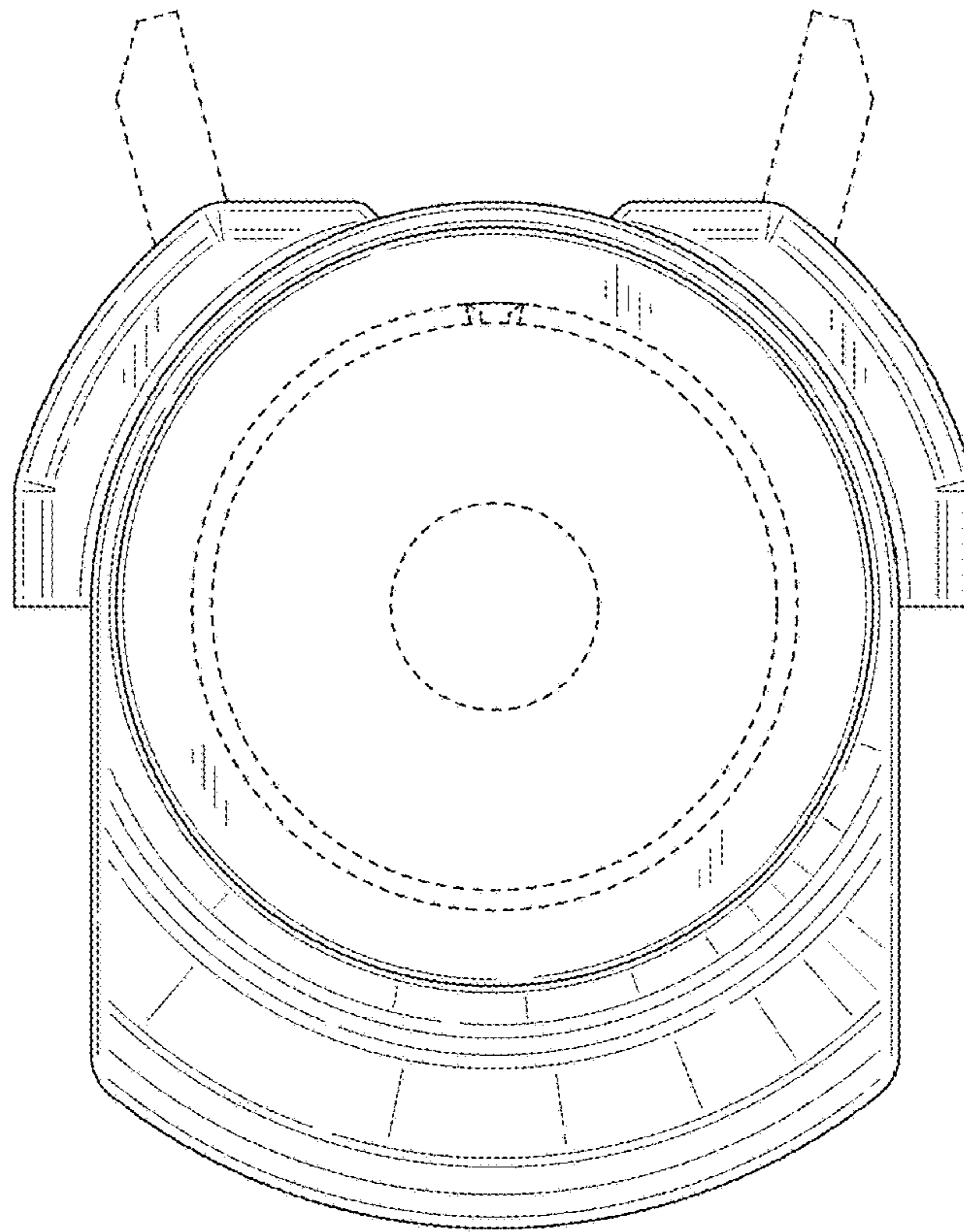


FIG.7

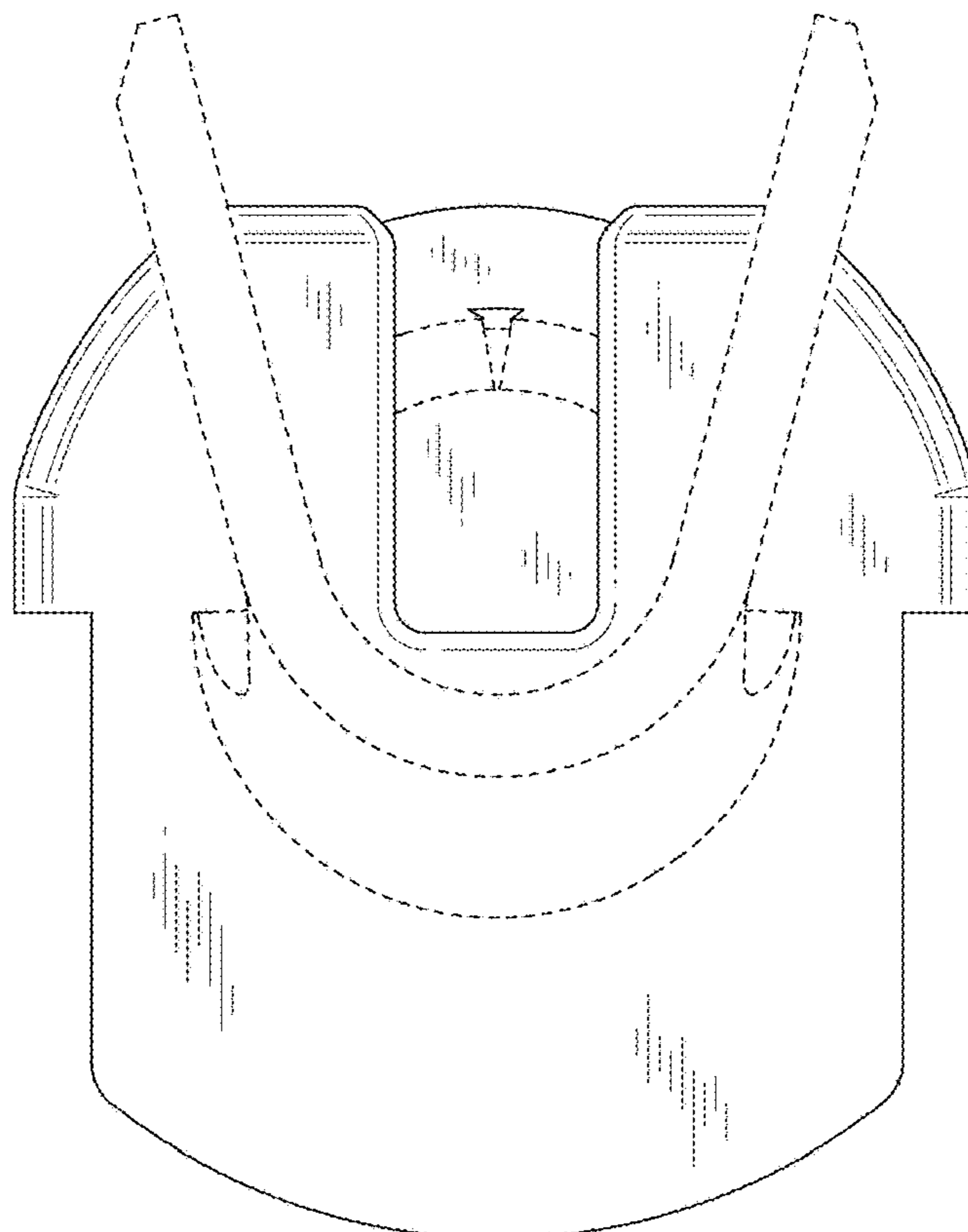


FIG.8

