



US00D868693S

(12) **United States Design Patent** (10) **Patent No.:** **US D868,693 S**
Bailey et al. (45) **Date of Patent:** **** Dec. 3, 2019**

(54) **SNAP CONNECTOR**
(71) Applicant: **SYNAPTIVE MEDICAL (BARBADOS) INC.**, Bridgetown (BB)
(72) Inventors: **Brent Andrew Bailey**, Toronto (CA); **Sean Adrian Conroy**, Toronto (CA)
(73) Assignee: **Synaptive Medical (Barbados) Inc.**, Bridgetown (BB)
(**) Term: **15 Years**
(21) Appl. No.: **29/614,778**
(22) Filed: **Aug. 23, 2017**
(51) **LOC (12) Cl.** **13-03**
(52) **U.S. Cl.**
USPC **D13/133; D15/199**
(58) **Field of Classification Search**
USPC D8/367; D13/110, 113, 133-136, 146, D13/147, 149, 151, 154, 155, 156, 173, D13/178, 184, 199; D15/199
CPC ... H01R 4/24; H01R 4/64; H01R 4/66; H01R 9/03; H01R 9/05; H01R 13/62; H01R 13/64; H01R 13/65; H01R 13/68; H01R 25/00; H02G 3/00; H02G 3/06; H02G 3/18
See application file for complete search history.

6,752,650 B1 * 6/2004 Lin H01R 13/5825
439/461
6,808,407 B1 * 10/2004 Cannon H01R 13/625
439/314
D513,405 S * 1/2006 Rohr D13/133
D613,920 S * 4/2010 Blom D32/50
D749,518 S * 2/2016 Takeda D13/146
D764,414 S * 8/2016 Takeda D13/146
D774,460 S * 12/2016 Wu D13/146
D841,445 S * 2/2019 Held D8/367
D853,968 S * 7/2019 Lehman D13/133
2006/0065607 A1 * 3/2006 Bassett B01D 29/114
210/767
2012/0116266 A1 * 5/2012 Houser A61B 34/25
601/2
2014/0179139 A1 * 6/2014 Tanaka F21V 19/003
439/226
2018/0123295 A1 * 5/2018 August H01H 85/203
2019/0198200 A1 * 6/2019 Gretz H02G 3/083
2019/0199031 A1 * 6/2019 Surana H01R 13/64

* cited by examiner

Primary Examiner — Patricia A Palasik
(74) *Attorney, Agent, or Firm* — Perry + Currier Inc.

(57) **CLAIM**

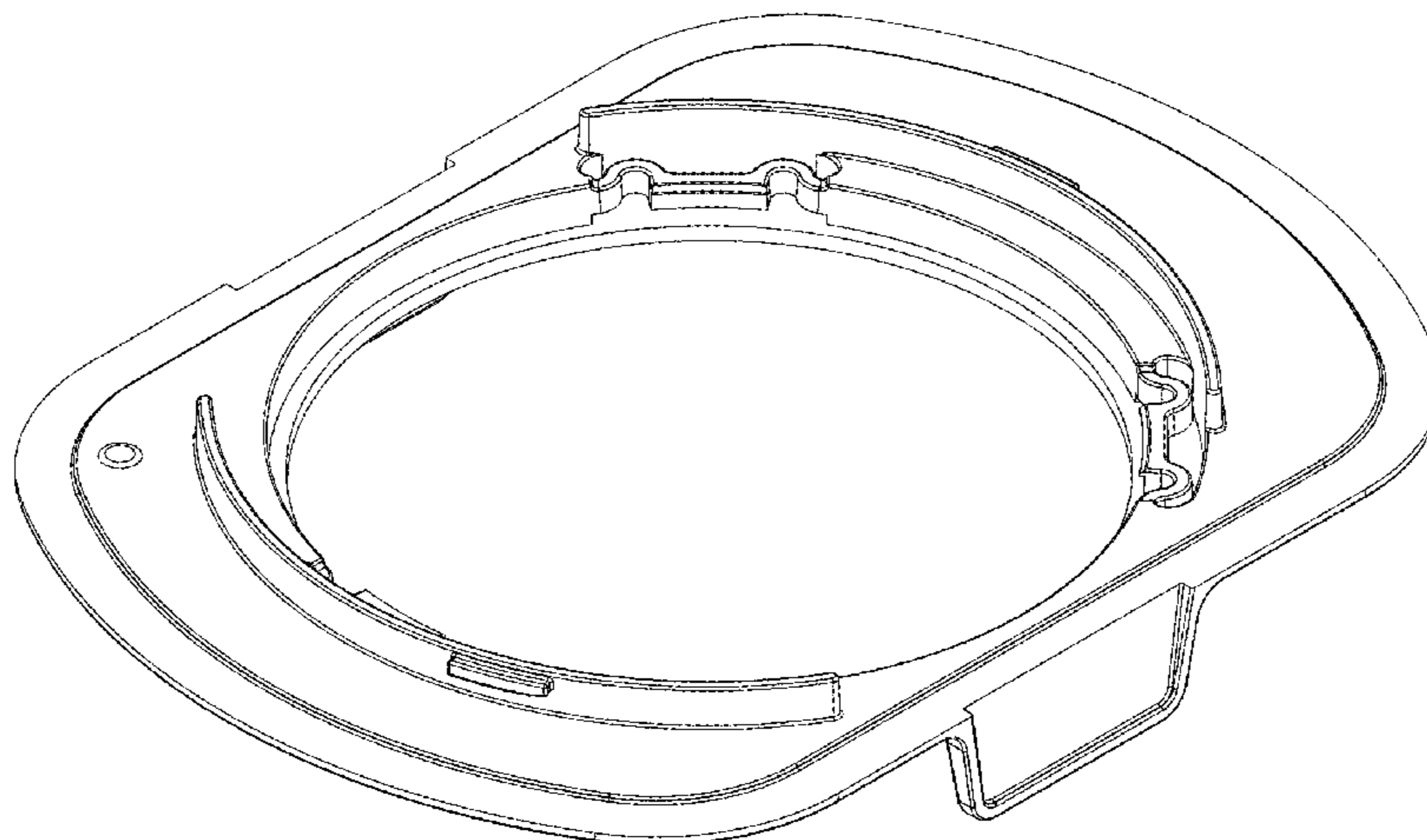
We claim the ornamental design for an snap connector, as shown and described.

DESCRIPTION

FIG. 1 is a front perspective view of a snap connector;
FIG. 2 is a front elevation view thereof;
FIG. 3 is a rear elevation view thereof;
FIG. 4 is a front plan view thereof;
FIG. 5 is a rear plan view thereof;
FIG. 6 is a left-side elevation view thereof;
FIG. 7 is a right-side elevation view thereof; and,
FIG. 8 is a rear perspective view of a snap connector mounted on an end effector.
The broken lines in the drawings depict portions of the snap connector which form no part of the claimed design.

1 Claim, 8 Drawing Sheets

(56) **References Cited**
U.S. PATENT DOCUMENTS
2,896,288 A * 7/1959 Davis A44B 11/25
24/323
3,358,340 A * 12/1967 Higuchi A44B 11/2526
24/599.8
5,685,730 A * 11/1997 Cameron H01R 13/625
439/333
D395,016 S * 6/1998 Kornowski D10/80
D434,376 S * 11/2000 Connelly D13/133
D489,247 S * 5/2004 Oyster D8/367



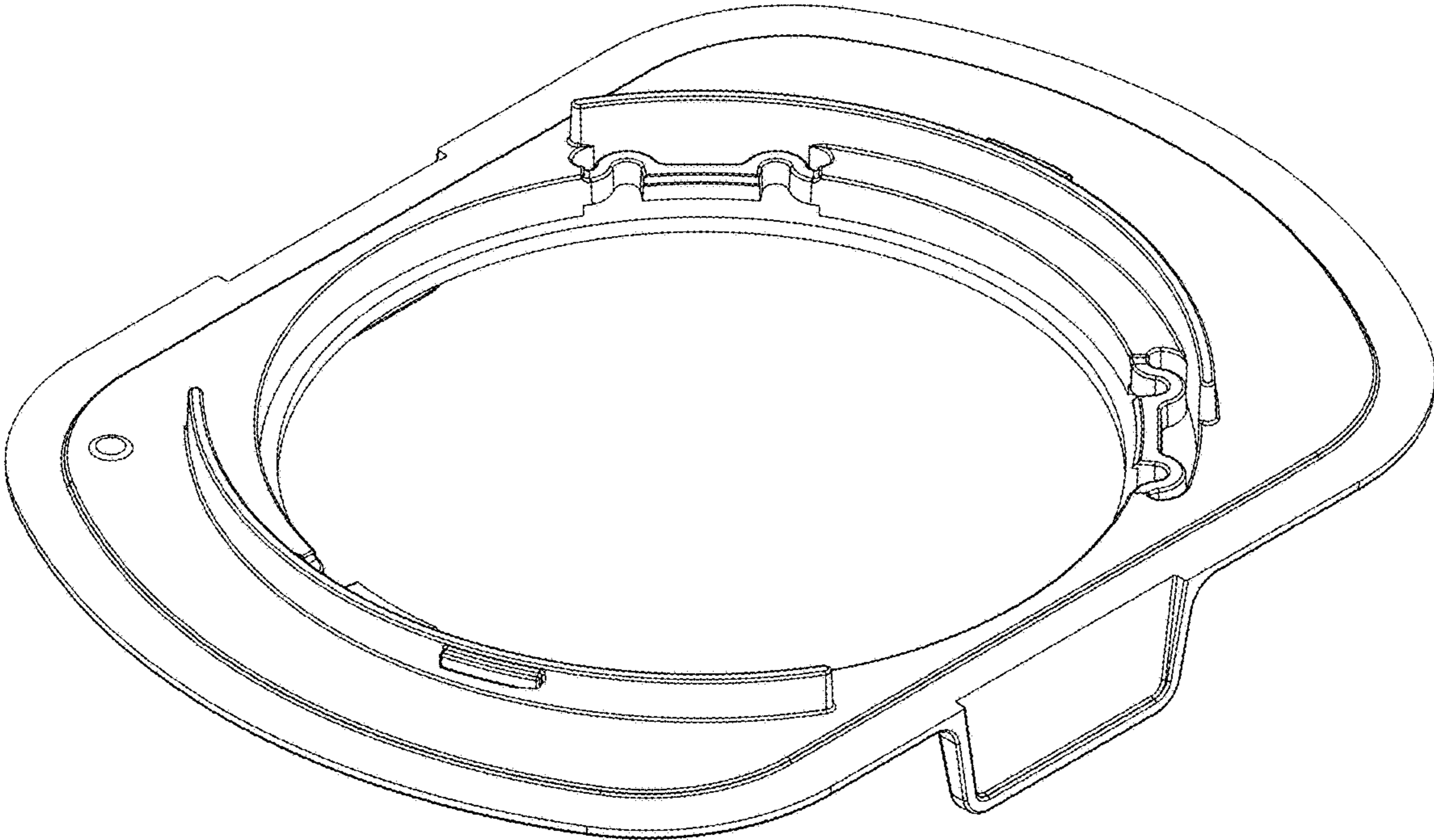


FIG. 1

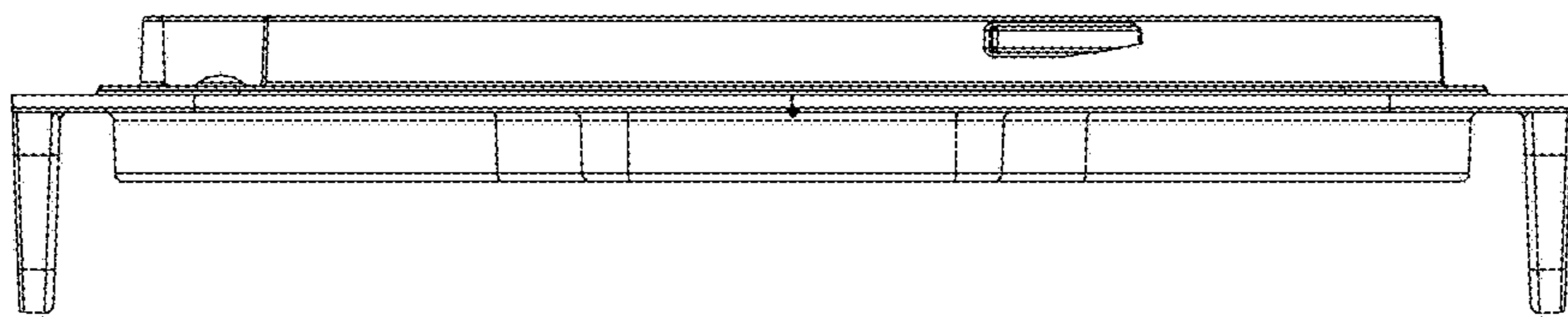


FIG. 2

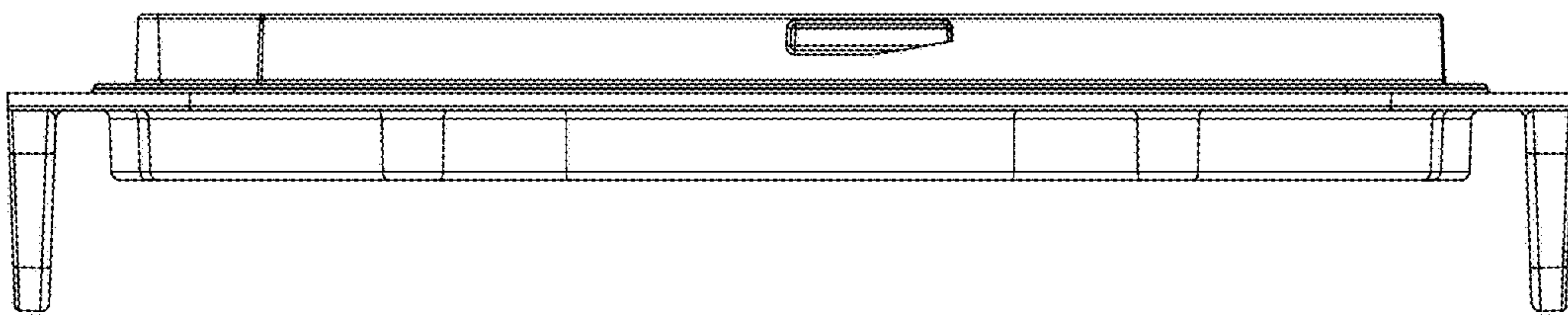


FIG. 3

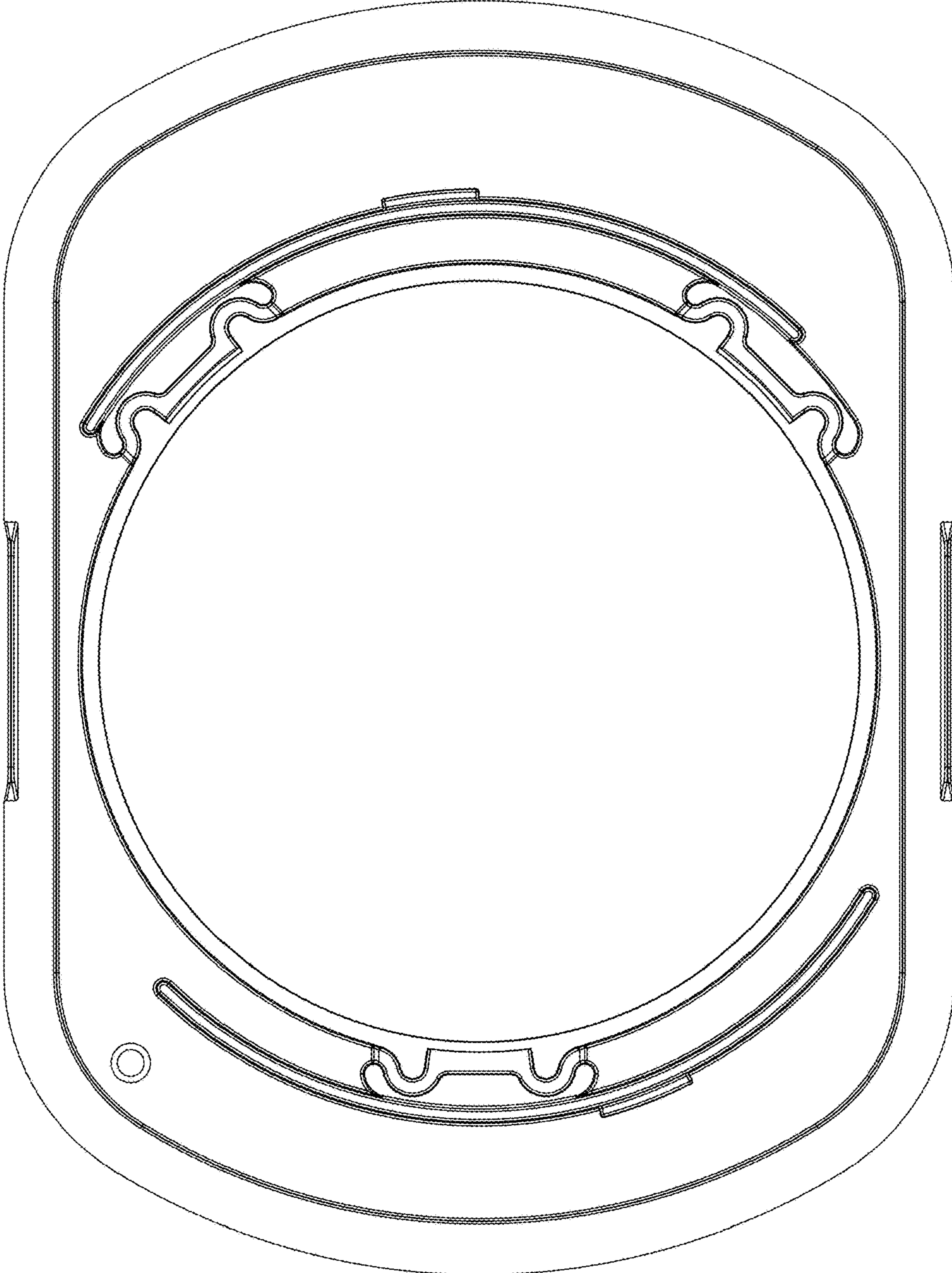


FIG. 4

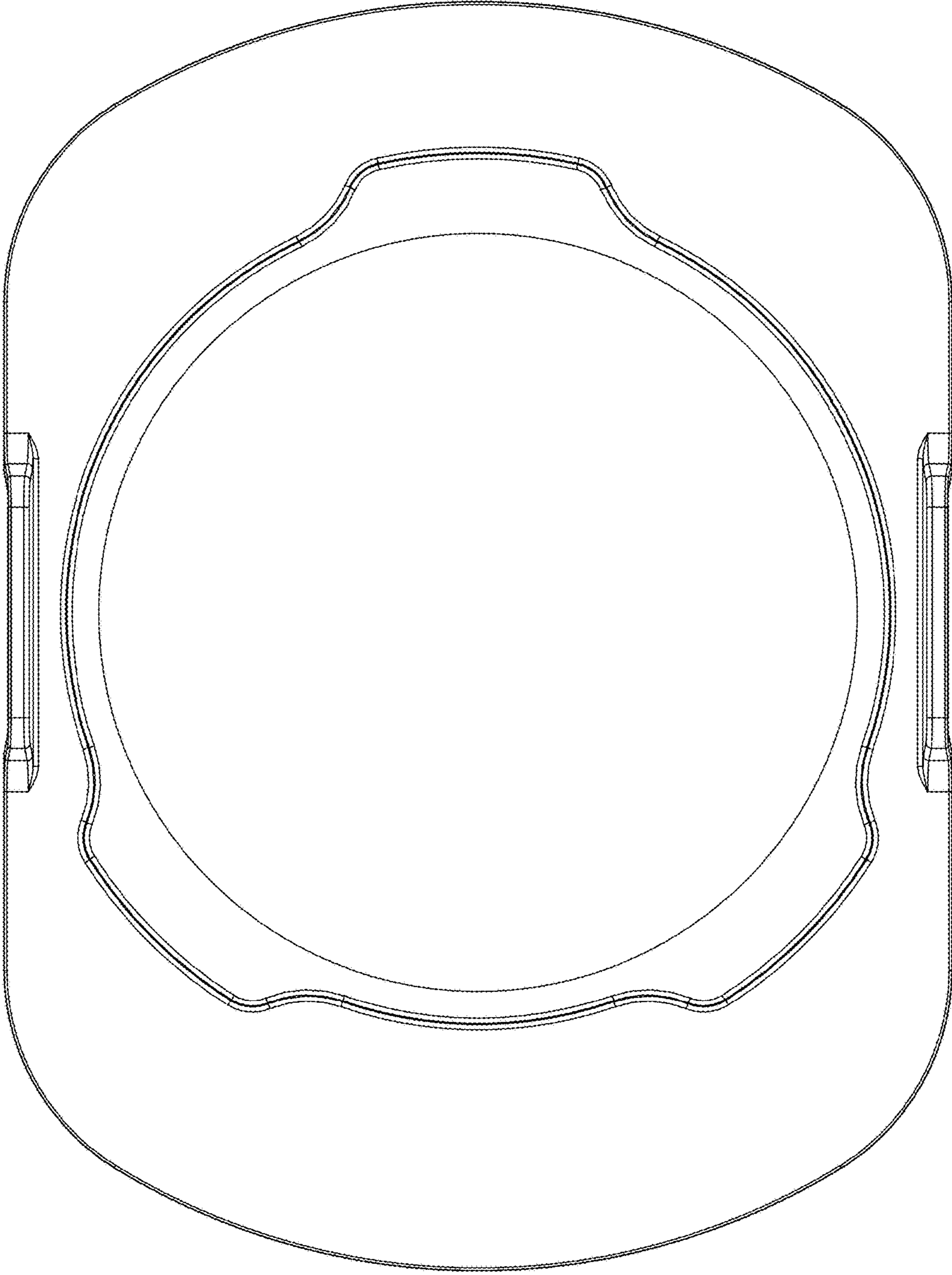


FIG. 5

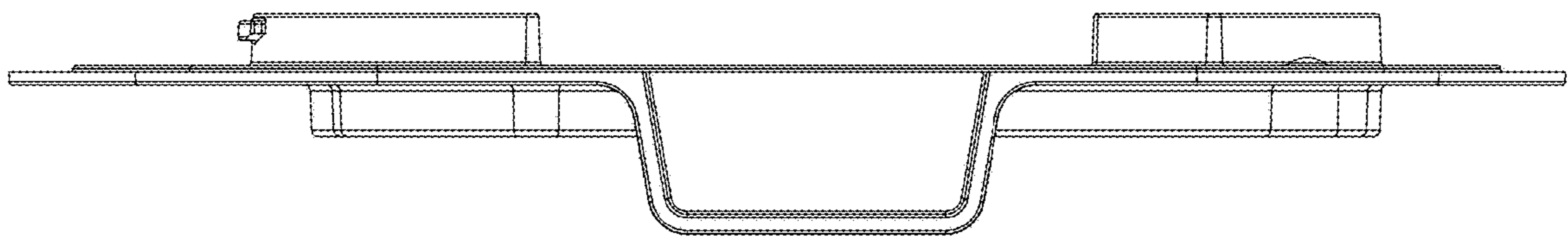


FIG. 6

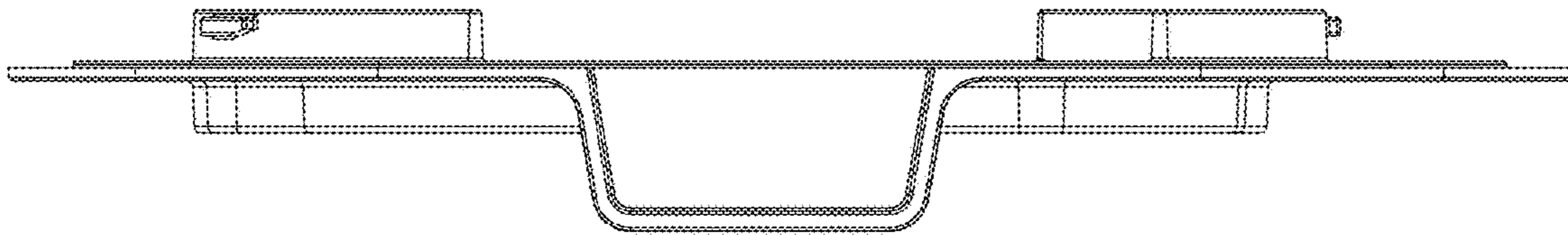


FIG. 7

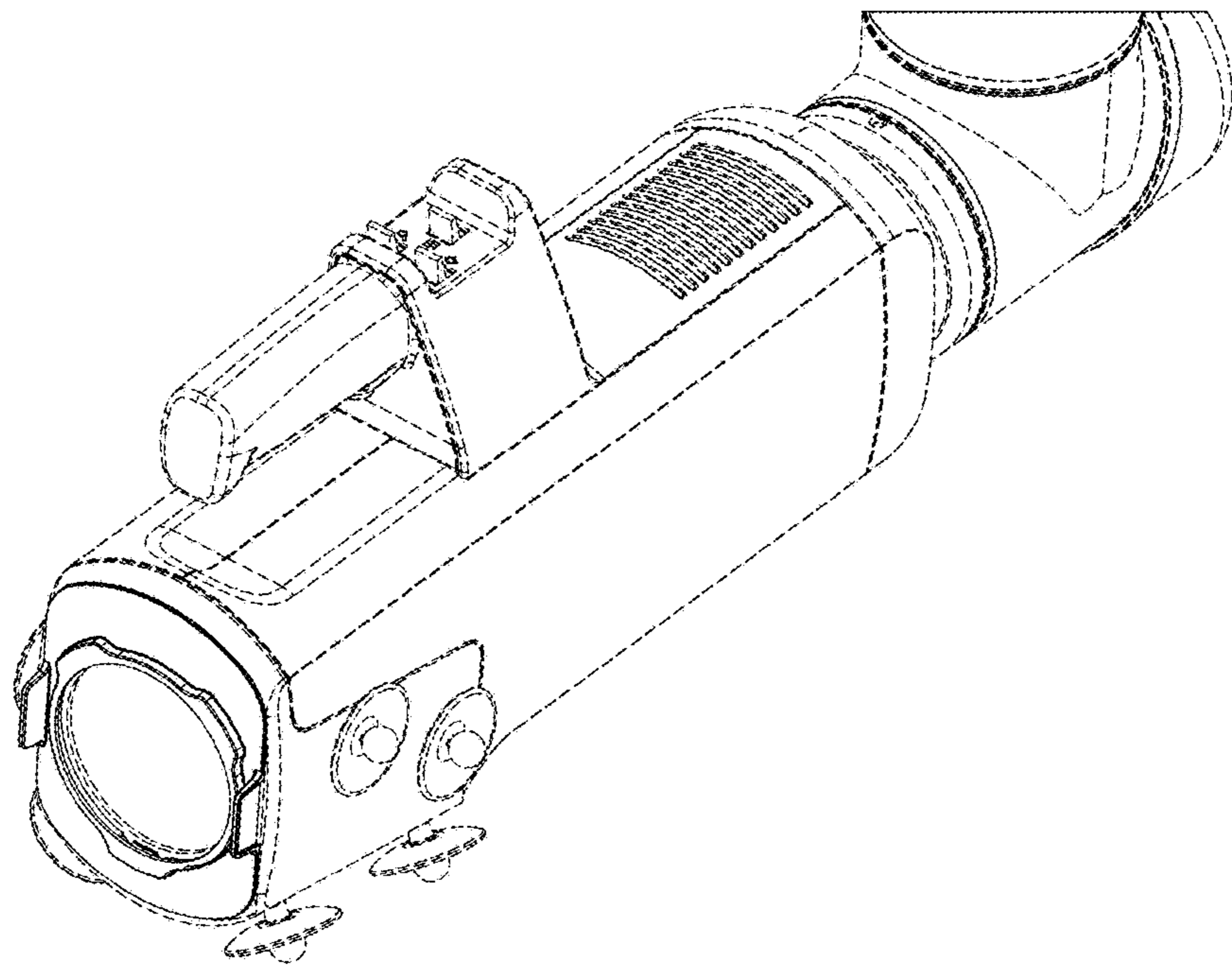


FIG. 8