



US00D868691S

(12) **United States Design Patent**  
**Sun**

(10) **Patent No.:** **US D868,691 S**

(45) **Date of Patent:** **\*\* Dec. 3, 2019**

(54) **WIRELESS CHARGER**

(71) Applicant: **Bei Sun**, Guangzhou (CN)

(72) Inventor: **Bei Sun**, Guangzhou (CN)

(\*\*) Term: **15 Years**

(21) Appl. No.: **29/660,821**

(22) Filed: **Aug. 22, 2018**

(51) **LOC (12) Cl.** ..... **13-02**

(52) **U.S. Cl.**  
USPC ..... **D13/108**

(58) **Field of Classification Search**  
USPC ..... D13/107–110, 118–119, 184; D14/251,  
D14/253, 432, 434  
CPC ..... Y02E 60/12; Y02T 90/14; Y02T 90/122;  
Y02T 90/128; Y02T 90/163; H02J 7/025;  
H02J 7/0042; H02J 7/0044; H02J 7/0045;  
H02J 7/0003; H01F 38/14; H01M 2/1022;  
H01M 2/1055; H01M 10/44; H01M  
10/46; H01M 10/425; B60L 11/182  
See application file for complete search history.

(56) **References Cited**

**U.S. PATENT DOCUMENTS**

|              |         |           |       |         |
|--------------|---------|-----------|-------|---------|
| D429,242 S * | 8/2000  | Sun       | ..... | D14/253 |
| D442,141 S * | 5/2001  | Ikenaga   | ..... | D13/107 |
| D507,526 S * | 7/2005  | Ohta      | ..... | D13/108 |
| D520,013 S * | 5/2006  | Yang      | ..... | D14/434 |
| D607,817 S * | 1/2010  | Tan       | ..... | D13/108 |
| D635,979 S * | 4/2011  | Wu        | ..... | D13/107 |
| D637,952 S * | 5/2011  | Tan       | ..... | D13/102 |
| D646,268 S * | 10/2011 | DeLorenzo | ..... | D14/253 |
| D664,528 S * | 7/2012  | Chen      | ..... | D14/253 |

|              |         |         |       |         |
|--------------|---------|---------|-------|---------|
| D666,995 S * | 9/2012  | TerMeer | ..... | D14/217 |
| D674,336 S * | 1/2013  | Suzuka  | ..... | D13/108 |
| D688,235 S * | 8/2013  | Song    | ..... | D14/253 |
| D714,788 S * | 10/2014 | Haller  | ..... | D14/434 |
| D729,248 S * | 5/2015  | Porter  | ..... | D14/434 |
| D760,214 S * | 6/2016  | Kemper  | ..... | D14/253 |
| D772,216 S * | 11/2016 | Lau     | ..... | D13/108 |
| D787,441 S * | 5/2017  | Lee     | ..... | D13/108 |
| D799,494 S * | 10/2017 | Lee     | ..... | D14/447 |
| D812,564 S * | 3/2018  | Feng    | ..... | D13/108 |
| D815,594 S * | 4/2018  | Chen    | ..... | D13/108 |
| D845,896 S * | 4/2019  | Hu      | ..... | D13/108 |
| D859,308 S * | 9/2019  | Connell | ..... | D13/108 |

\* cited by examiner

*Primary Examiner* — Rosemary K Tarcza

(74) *Attorney, Agent, or Firm* — HYIP

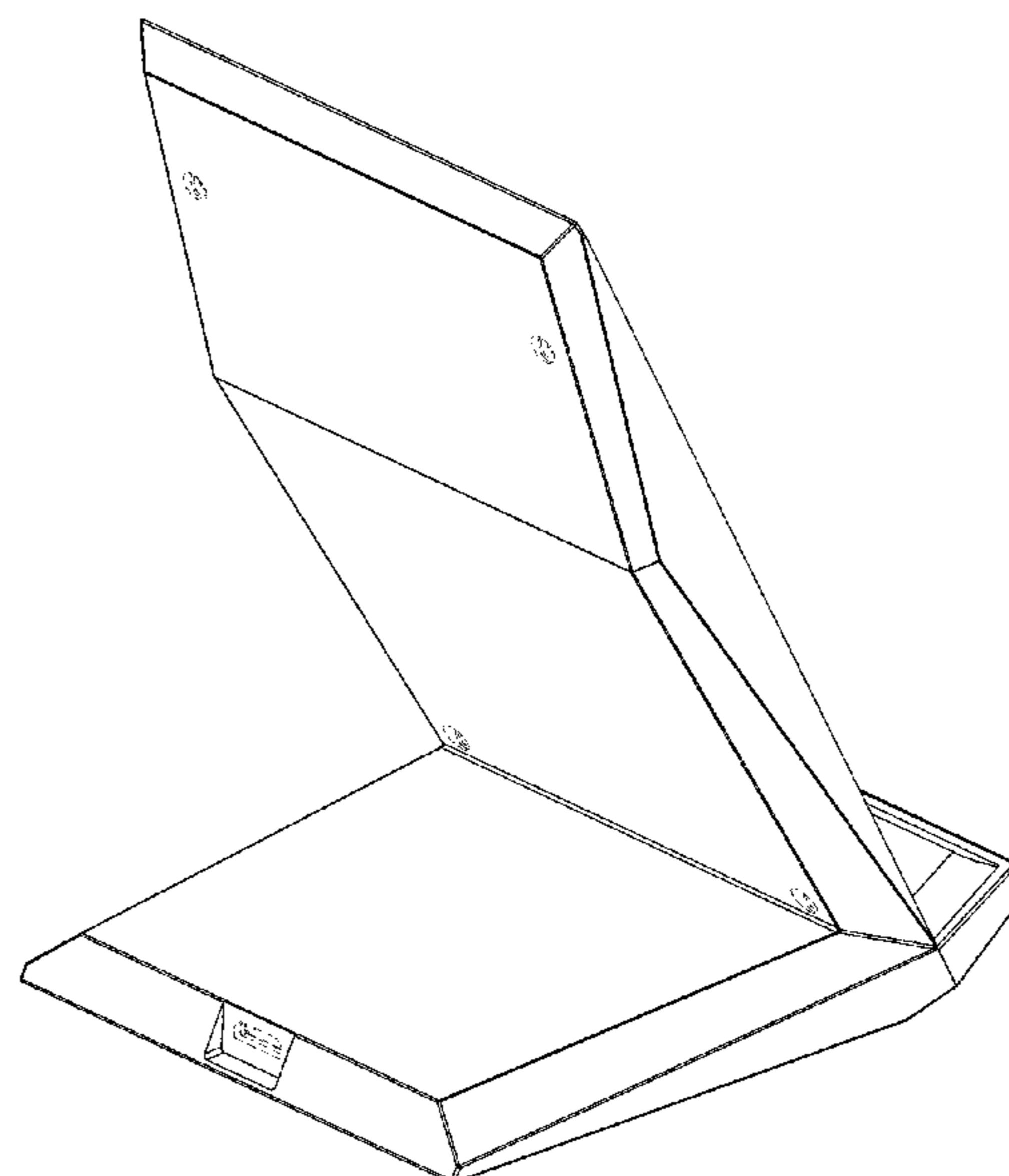
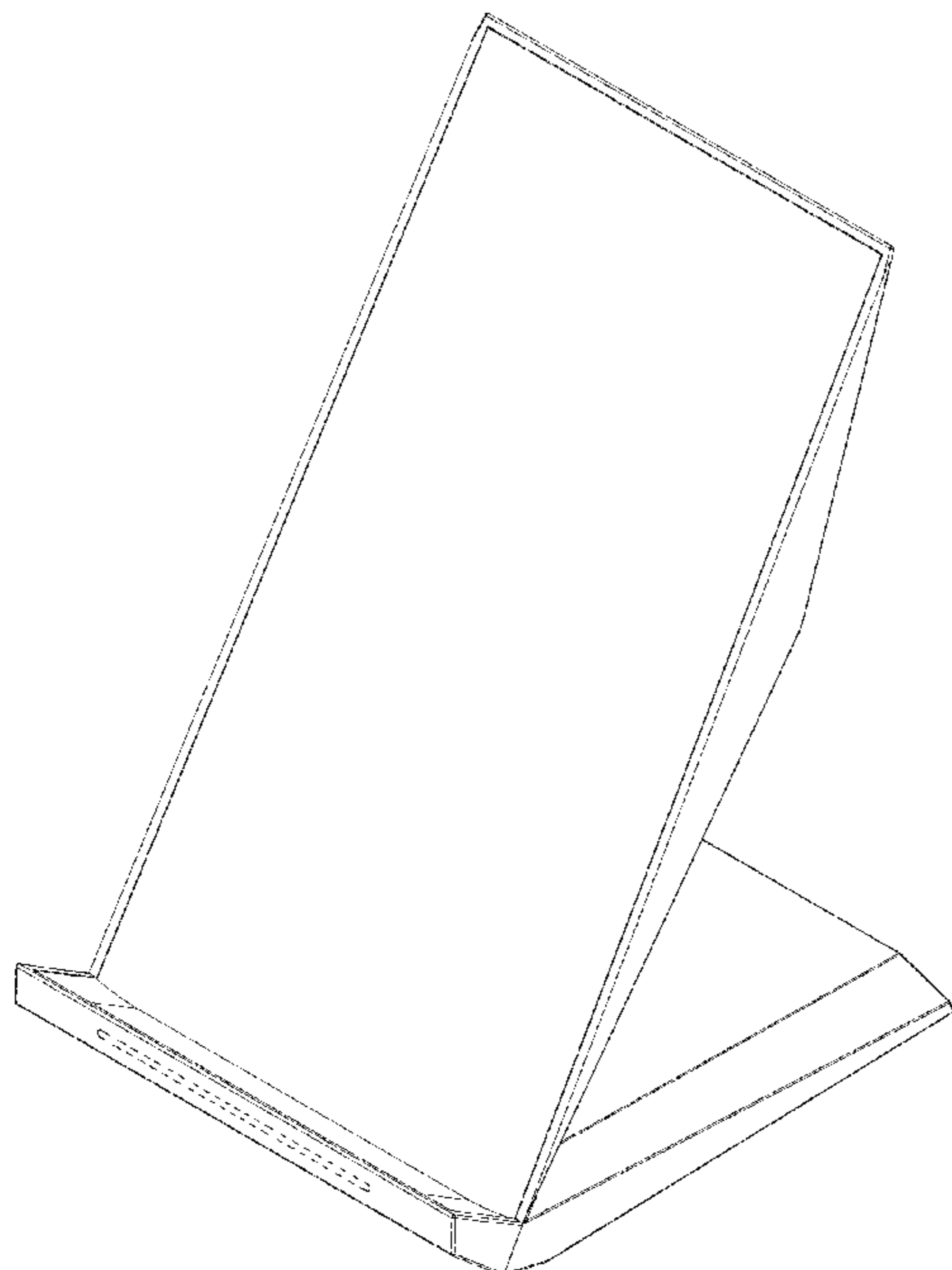
(57) **CLAIM**

The ornamental design for a wireless charger, as shown and described.

**DESCRIPTION**

FIG. 1 is a first perspective view showing a wireless charger showing my new design;  
FIG. 2 is a second perspective view thereof;  
FIG. 3 is a front view thereof;  
FIG. 4 is a back view thereof;  
FIG. 5 is a left side view thereof;  
FIG. 6 is a right side view thereof;  
FIG. 7 is a top plan view thereof; and,  
FIG. 8 is a bottom plan view thereof.  
The broken lines shown in the drawings are included for the purpose of illustrating portions of the wireless charger that form no part of the claimed design.

**1 Claim, 8 Drawing Sheets**



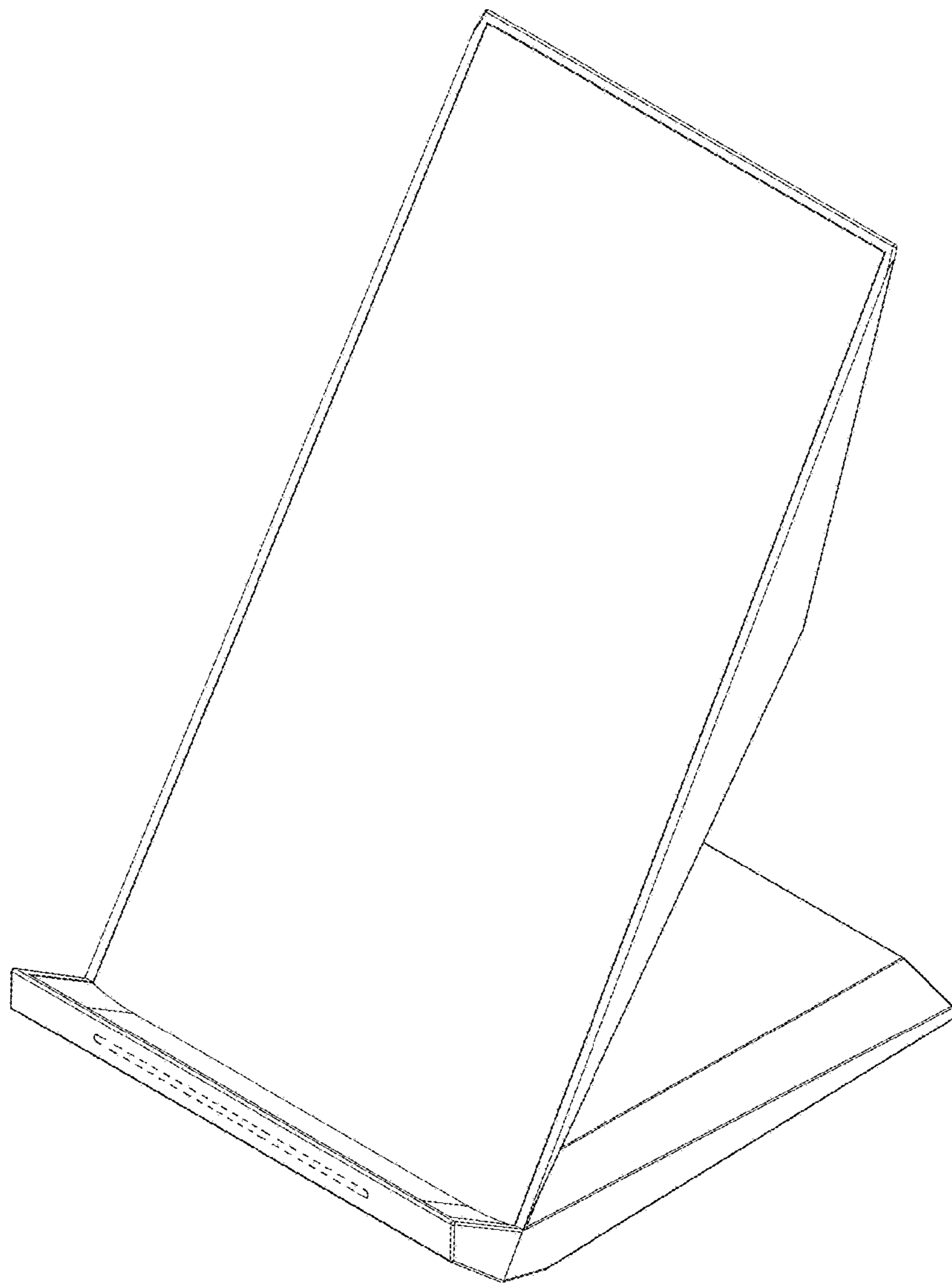


FIG. 1

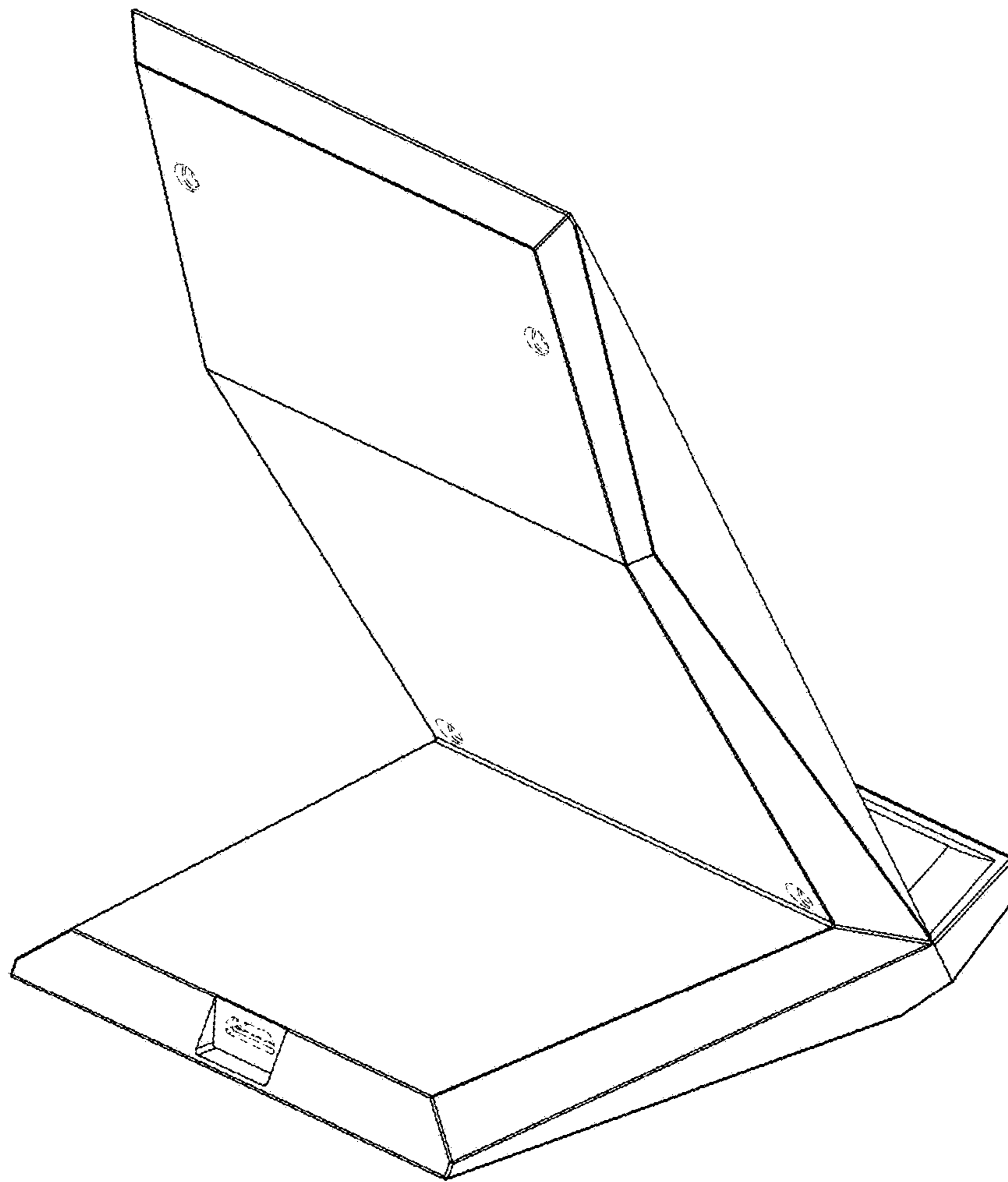


FIG. 2

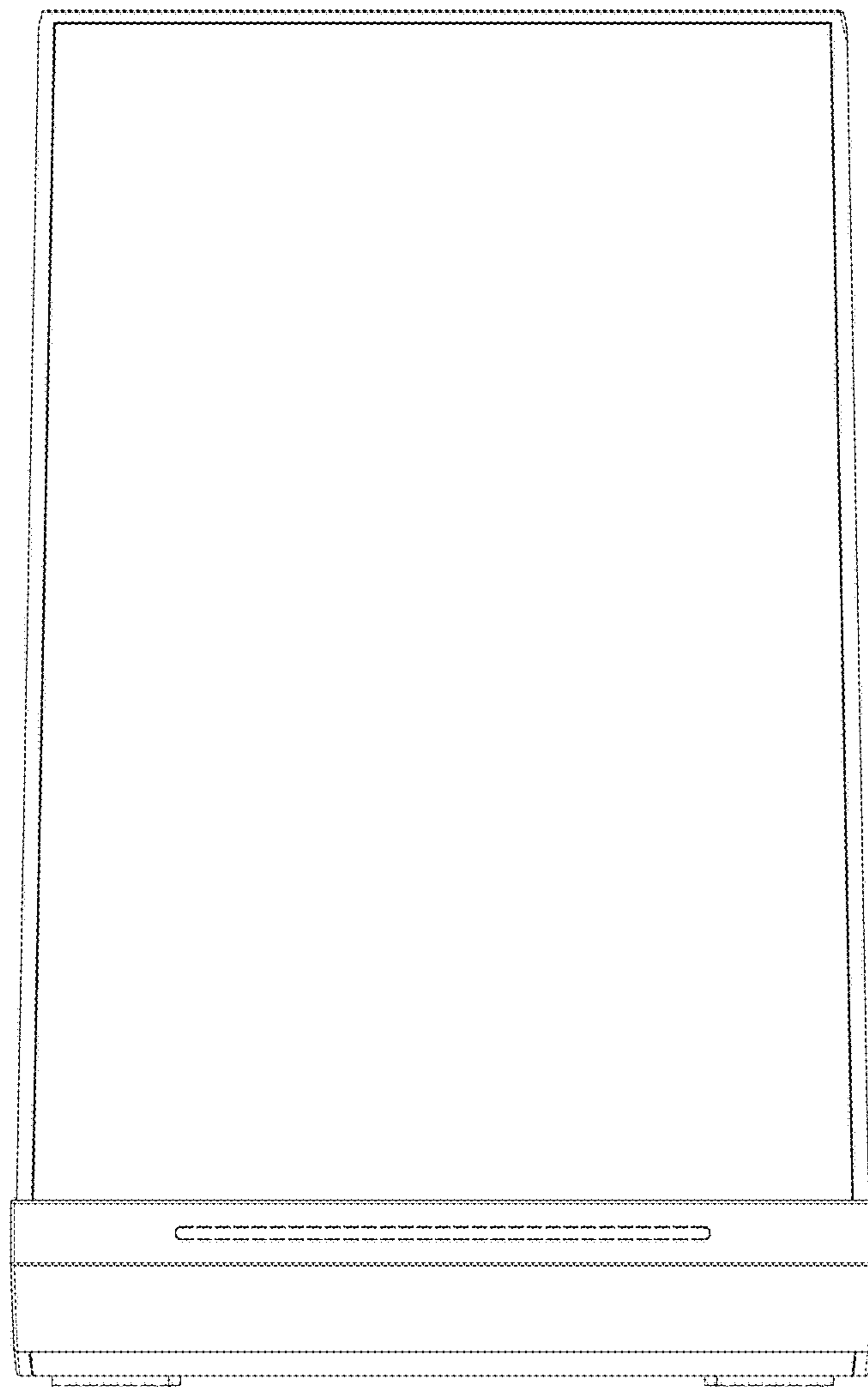


FIG. 3

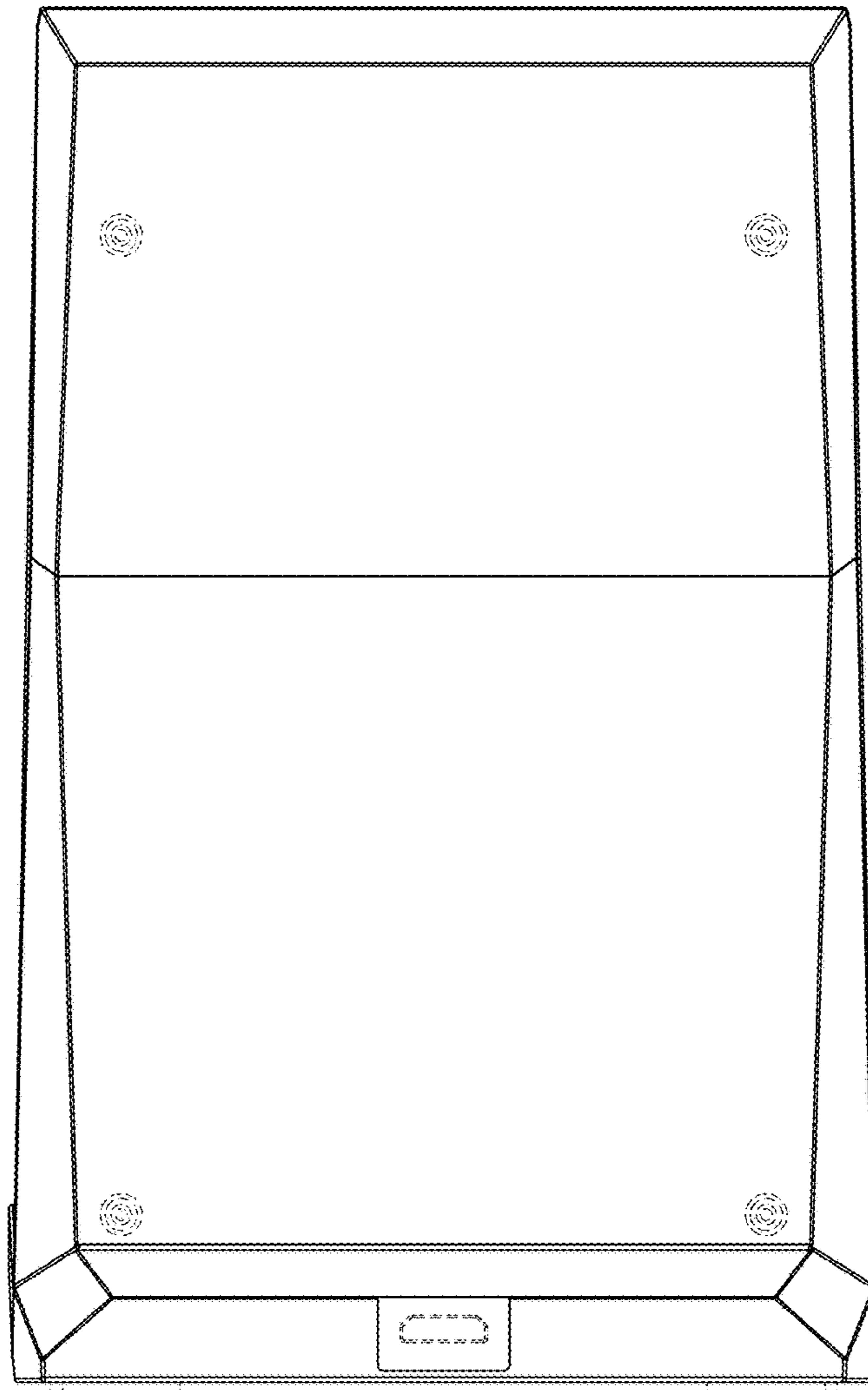


FIG. 4

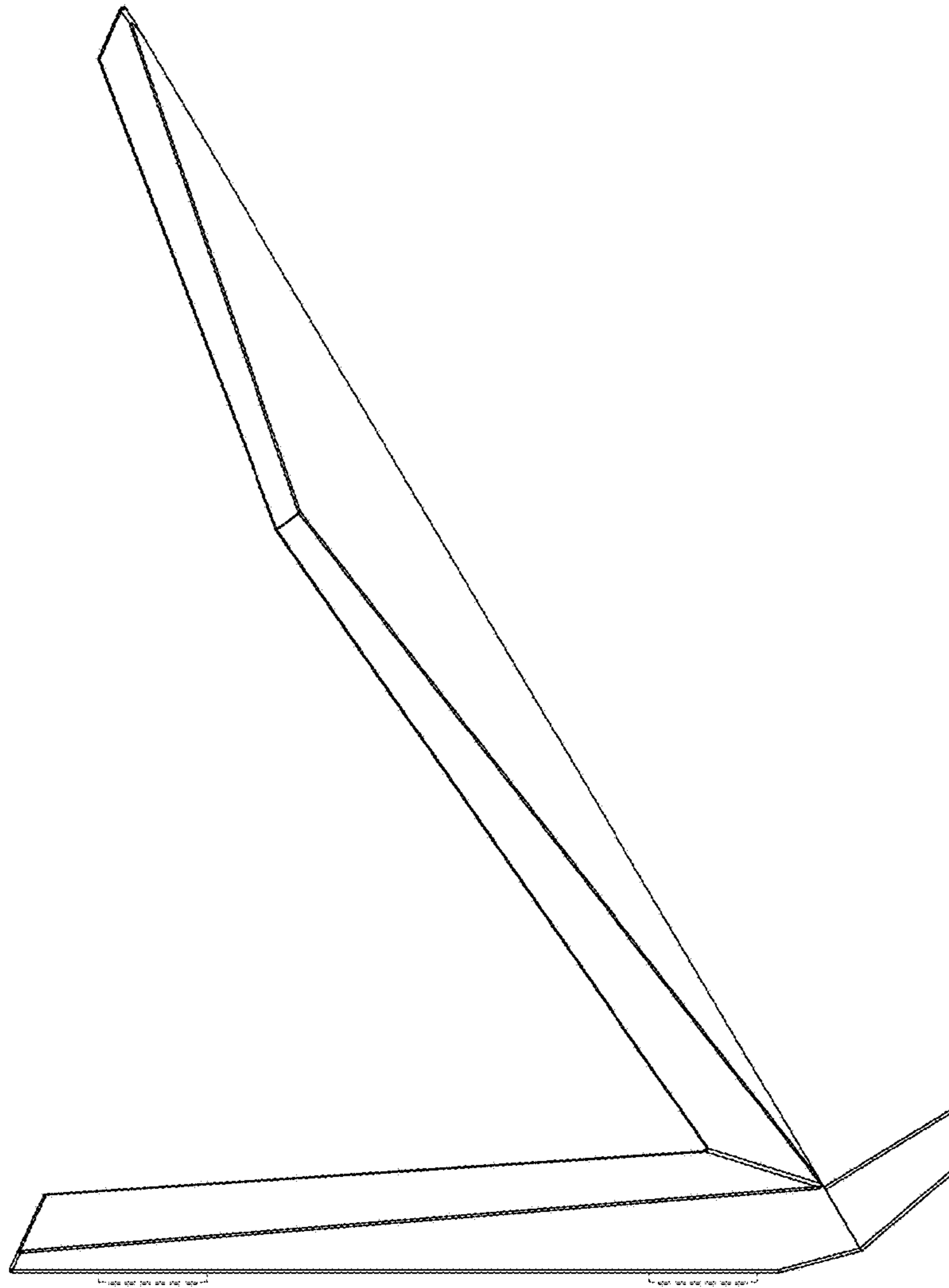


FIG. 5

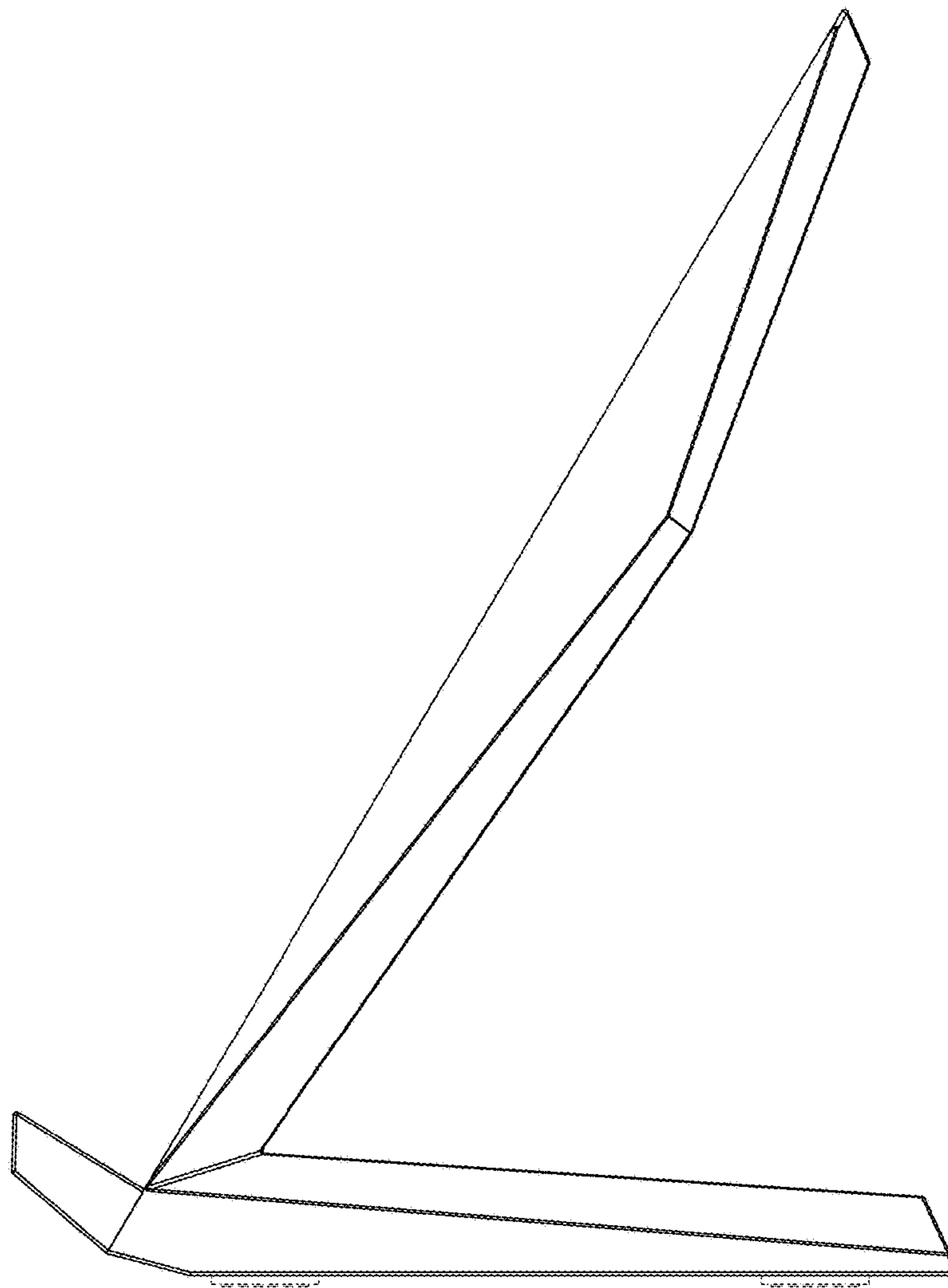


FIG. 6

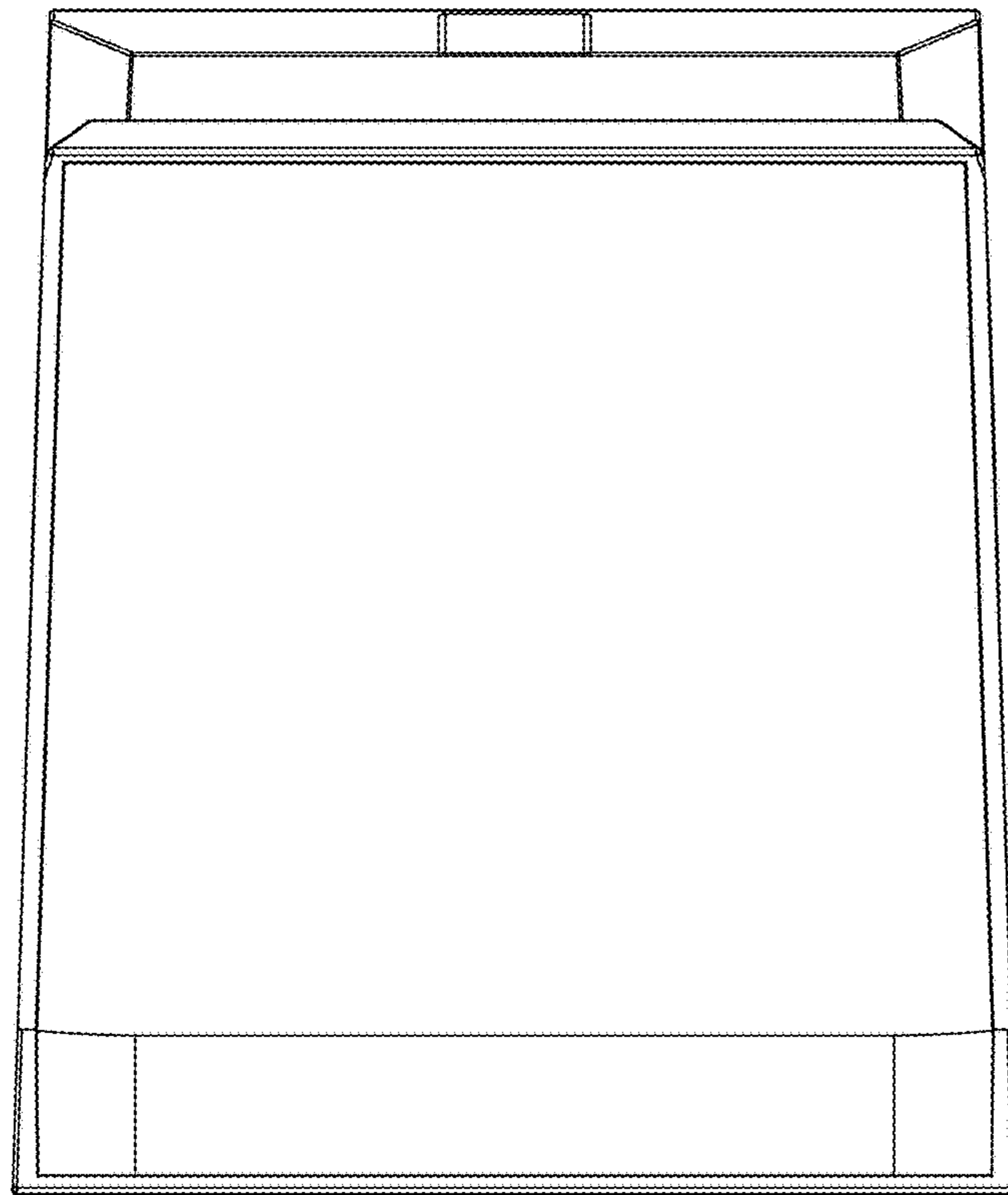


FIG. 7



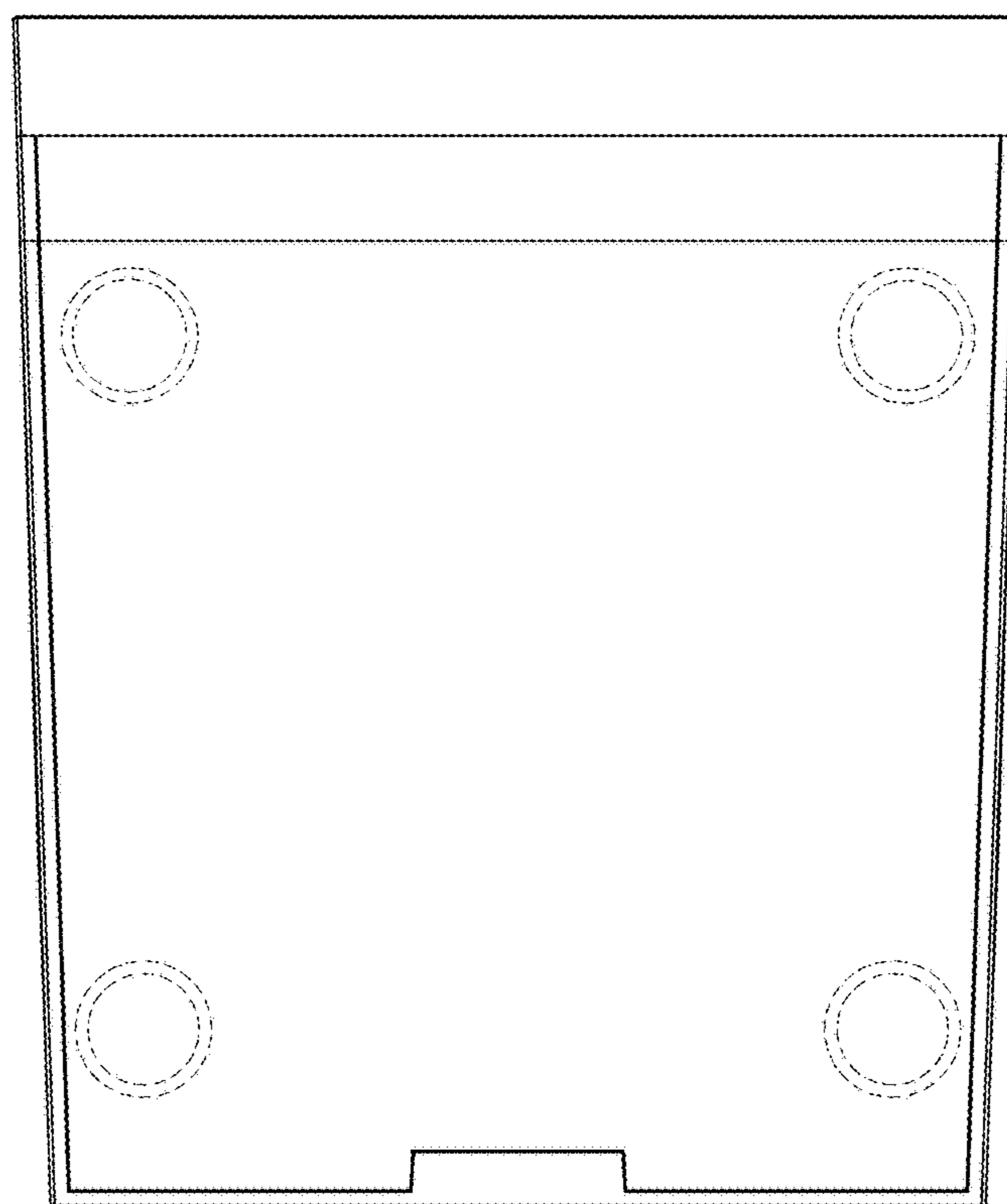


FIG. 8