



US00D868689S

(12) **United States Design Patent**  
**Shor et al.**

(10) **Patent No.:** **US D868,689 S**

(45) **Date of Patent:** **\*\* Dec. 3, 2019**

(54) **PUMP DEVICE AND CHARGING STATION SET**

(71) Applicant: **NeuroDerm, Ltd.**, Rehovot (IL)

(72) Inventors: **Eran Shor**, Arugot (IL); **Tsabar Mor**, Adi (IL); **Nir Lilach**, Kfar Yehoshua (IL); **Rami Grossfeld**, Haifa (IL); **Yoav Tikochinsky**, Tel Aviv (IL); **Serdar Ozsumer**, Milan (IT)

(73) Assignee: **NeuroDerm, Ltd.**, Rehovot (IL)

(\*\*) Term: **15 Years**

(21) Appl. No.: **29/655,592**

(22) Filed: **Jul. 5, 2018**

(51) **LOC (12) Cl.** ..... **13-02**

(52) **U.S. Cl.**

USPC ..... **D13/108**; D15/7

(58) **Field of Classification Search**

USPC ..... D13/107-110, 118-119, 184; D14/251, D14/253, 432, 434; D15/7-9

CPC ..... Y02E 60/12; Y02T 90/14; Y02T 90/122; Y02T 90/128; Y02T 90/163; Y02T 10/7005; Y02T 10/7088; H02J 7/025; H02J 7/0042; H02J 7/0044; H02J 7/0045; H02J 7/0003; H01F 38/14; H01R 13/6675; H01M 2/1022; H01M 2/1055; H01M 10/44; H01M 10/46; H01M 10/425; B60L 11/182; F02M 37/14; F04B 1/02; F04D 13/06; F04D 13/068

See application file for complete search history.

(56) **References Cited**

**U.S. PATENT DOCUMENTS**

D423,473 S \* 4/2000 Iwamoto ..... D14/434  
D450,707 S \* 11/2001 Francavilla ..... D14/434  
D489,322 S \* 5/2004 Sawai ..... D13/108  
D602,500 S \* 10/2009 Tokunaga ..... D15/7

D668,605 S \* 10/2012 Park ..... D13/108  
D669,432 S \* 10/2012 Park ..... D13/108  
D680,540 S \* 4/2013 Lee ..... D14/217  
D692,375 S \* 10/2013 Mamane ..... D13/108  
D705,160 S \* 5/2014 Ormesher ..... D13/108  
D709,506 S \* 7/2014 Lee ..... D14/217  
D722,962 S \* 2/2015 Kim ..... D13/108  
D723,459 S \* 3/2015 Dang ..... D13/108  
D743,334 S \* 11/2015 Peek ..... D13/108  
D762,648 S \* 8/2016 Akana ..... D14/434  
D781,841 S \* 3/2017 Salathe ..... D14/253

(Continued)

*Primary Examiner* — Rosemary K Tarcza

(74) *Attorney, Agent, or Firm* — Goodwin Procter LLP

(57) **CLAIM**

The ornamental design for a pump device and charging station set, as shown and described.

**DESCRIPTION**

FIG. 1 is a front perspective view of a pump device and charging station set;

FIG. 2 is a front view of the pump device and charging station set;

FIG. 3 is a rear view of the pump device and charging station set;

FIG. 4 is a right side view of the pump device and charging station set;

FIG. 5 is a left side view of the pump device and charging station set;

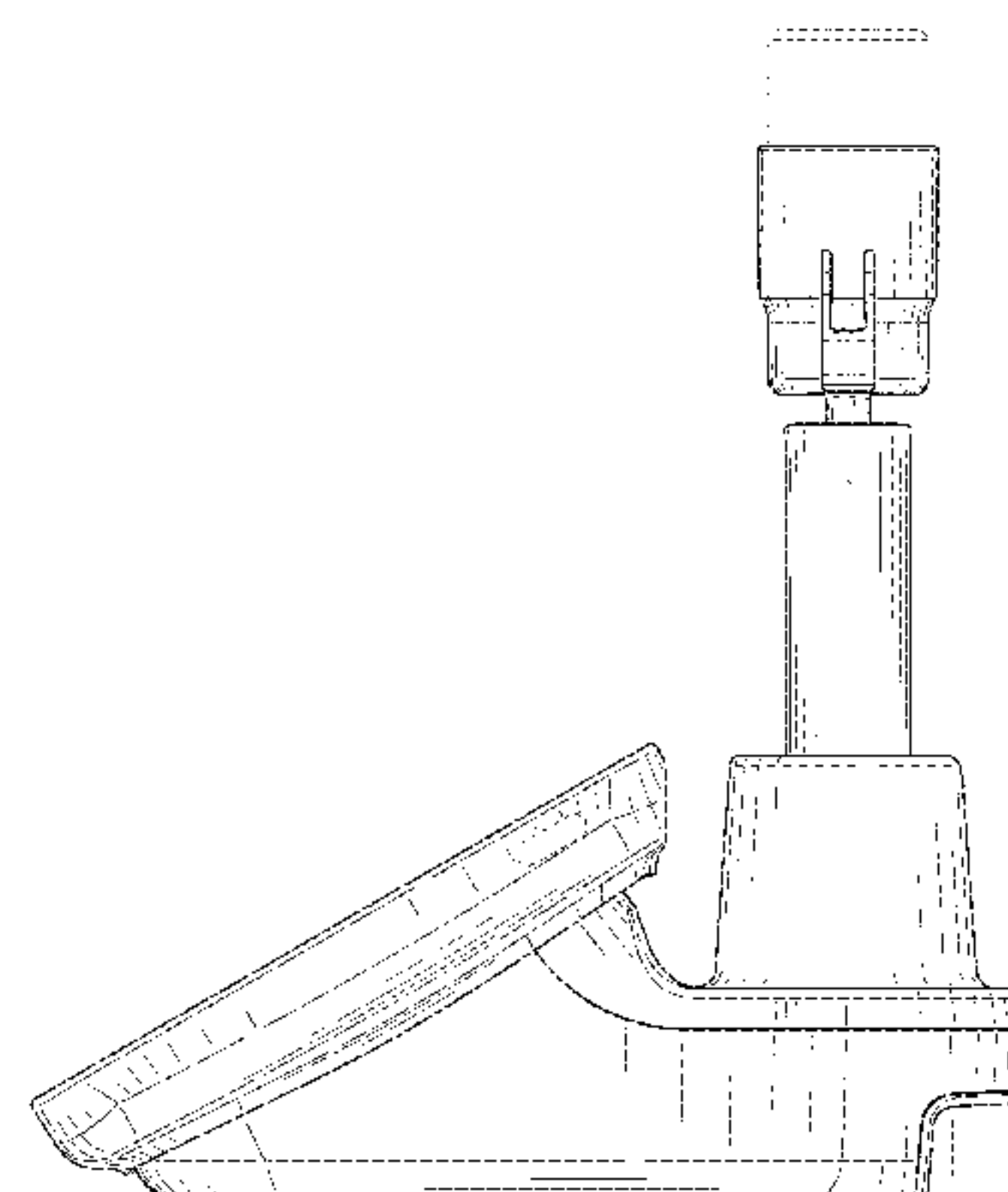
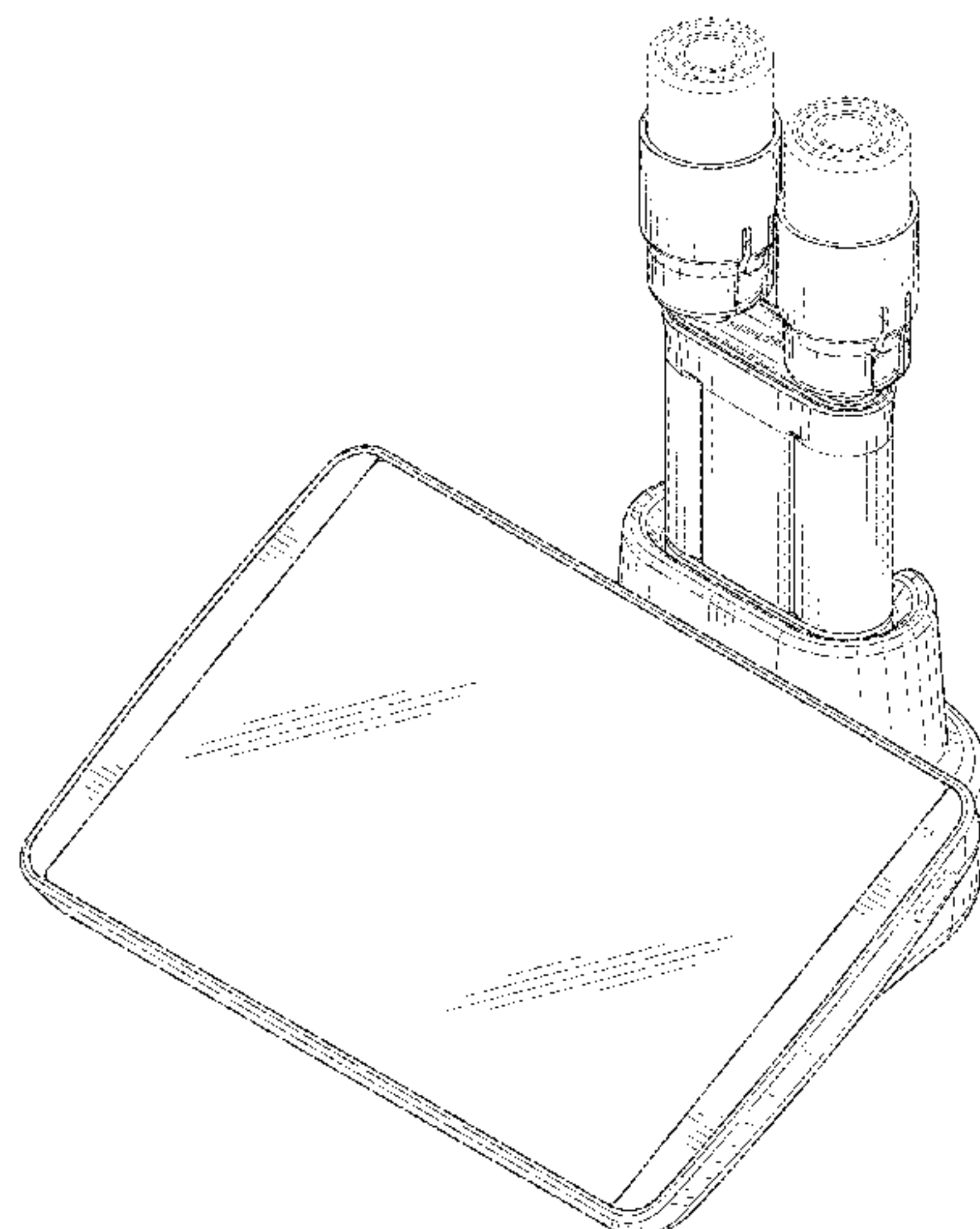
FIG. 6 is a top view of the pump device and charging station set;

FIG. 7 is a bottom view of the pump device and charging station set; and,

FIG. 8 is a rear perspective view of the pump device and charging station set.

The broken lines shown in the drawings are included for the purpose of illustrating portions of the pump device and charging station set which form no part of the claimed design.

**1 Claim, 8 Drawing Sheets**



(56)

**References Cited**

U.S. PATENT DOCUMENTS

D783,054 S *	4/2017	Krishnan .....	D15/7
D817,270 S *	5/2018	Kim .....	D13/108
D832,782 S *	11/2018	Leabman .....	D13/108
D832,783 S *	11/2018	Leabman .....	D13/108
D836,546 S *	12/2018	Kang .....	D13/108
D851,587 S *	6/2019	Schmidt .....	D13/108
D852,738 S *	7/2019	Backett .....	D13/108
D857,019 S *	8/2019	Mecchella .....	D14/434

\* cited by examiner

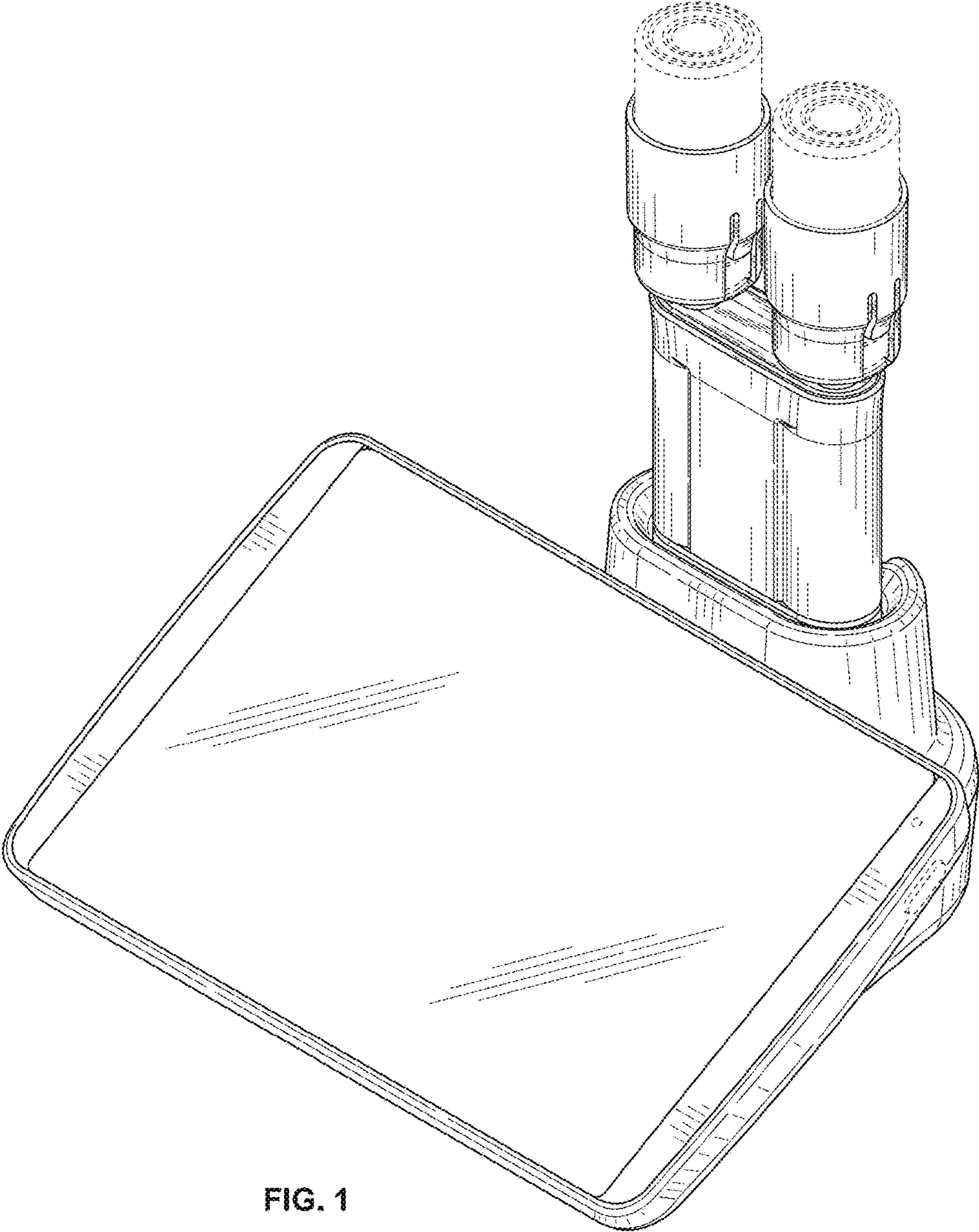


FIG. 1

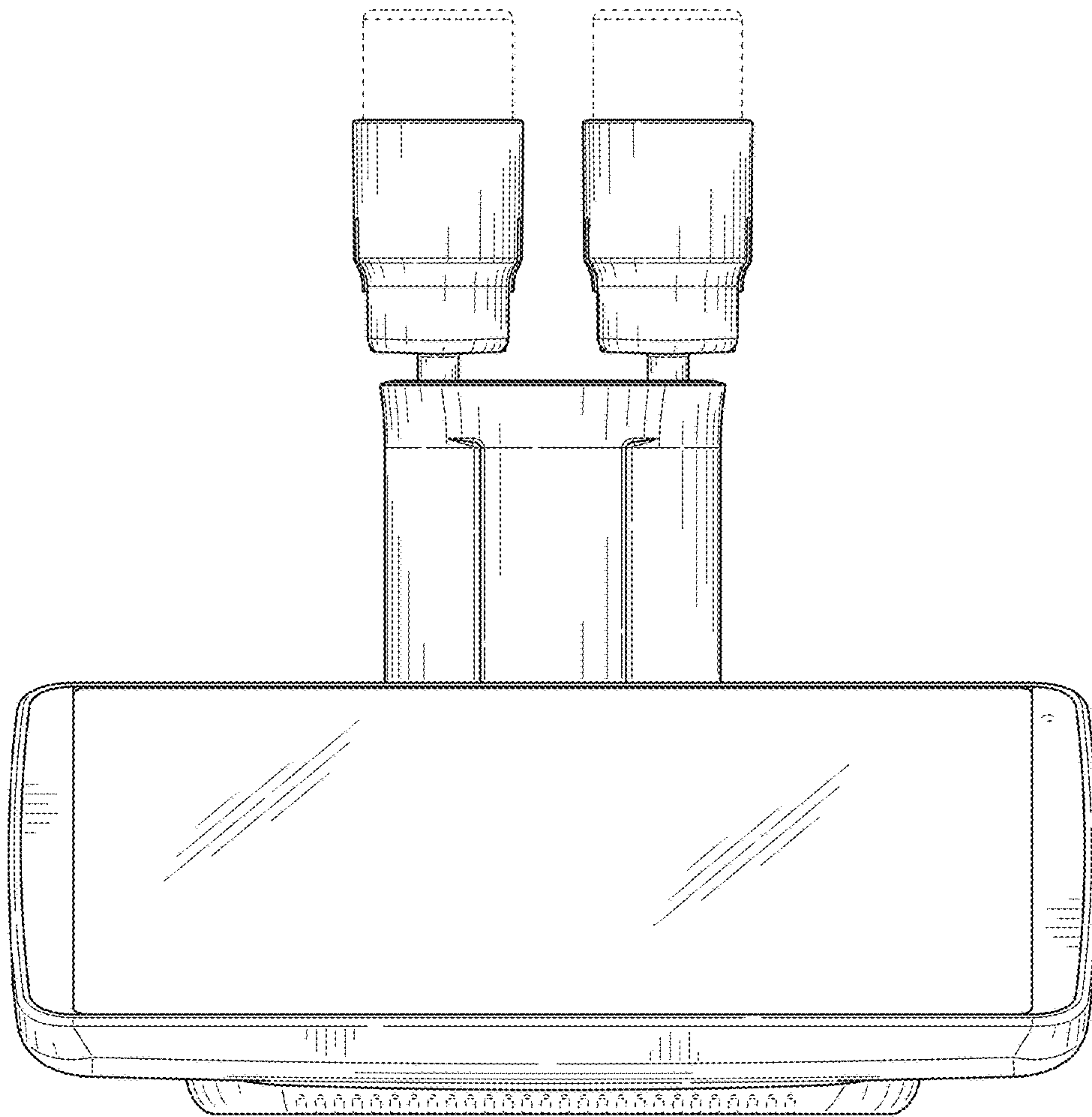


FIG. 2



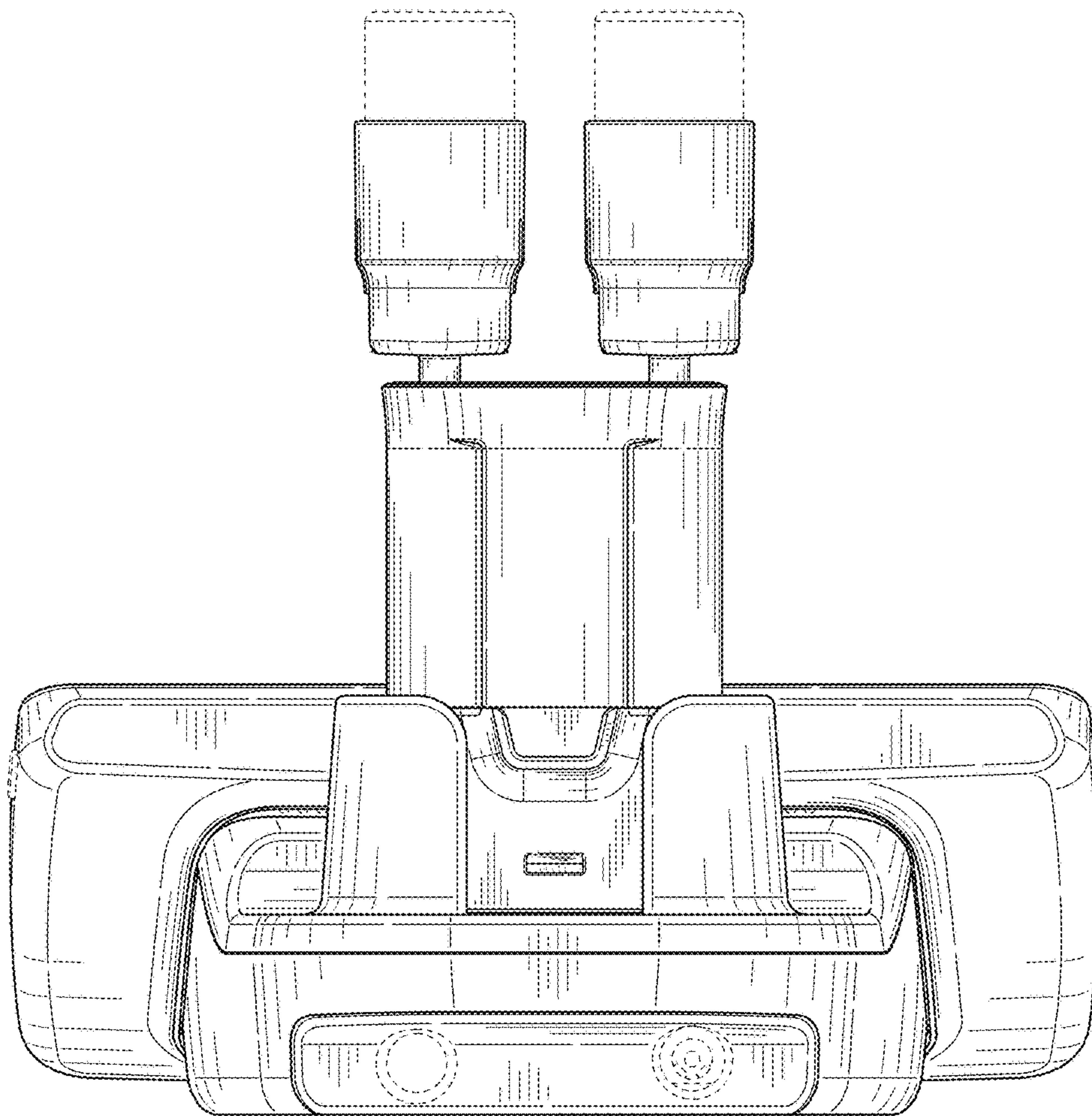


FIG. 3

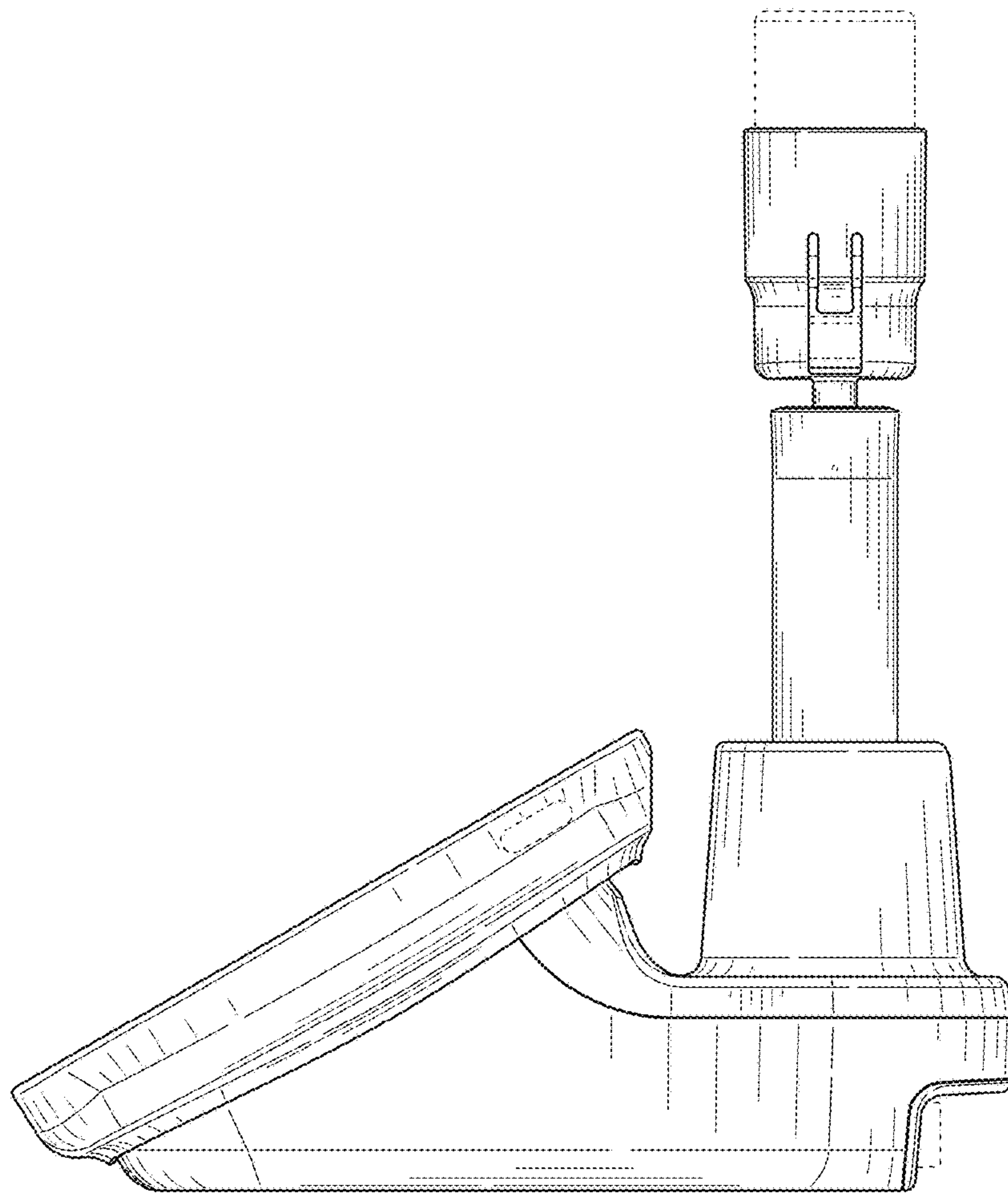


FIG. 4

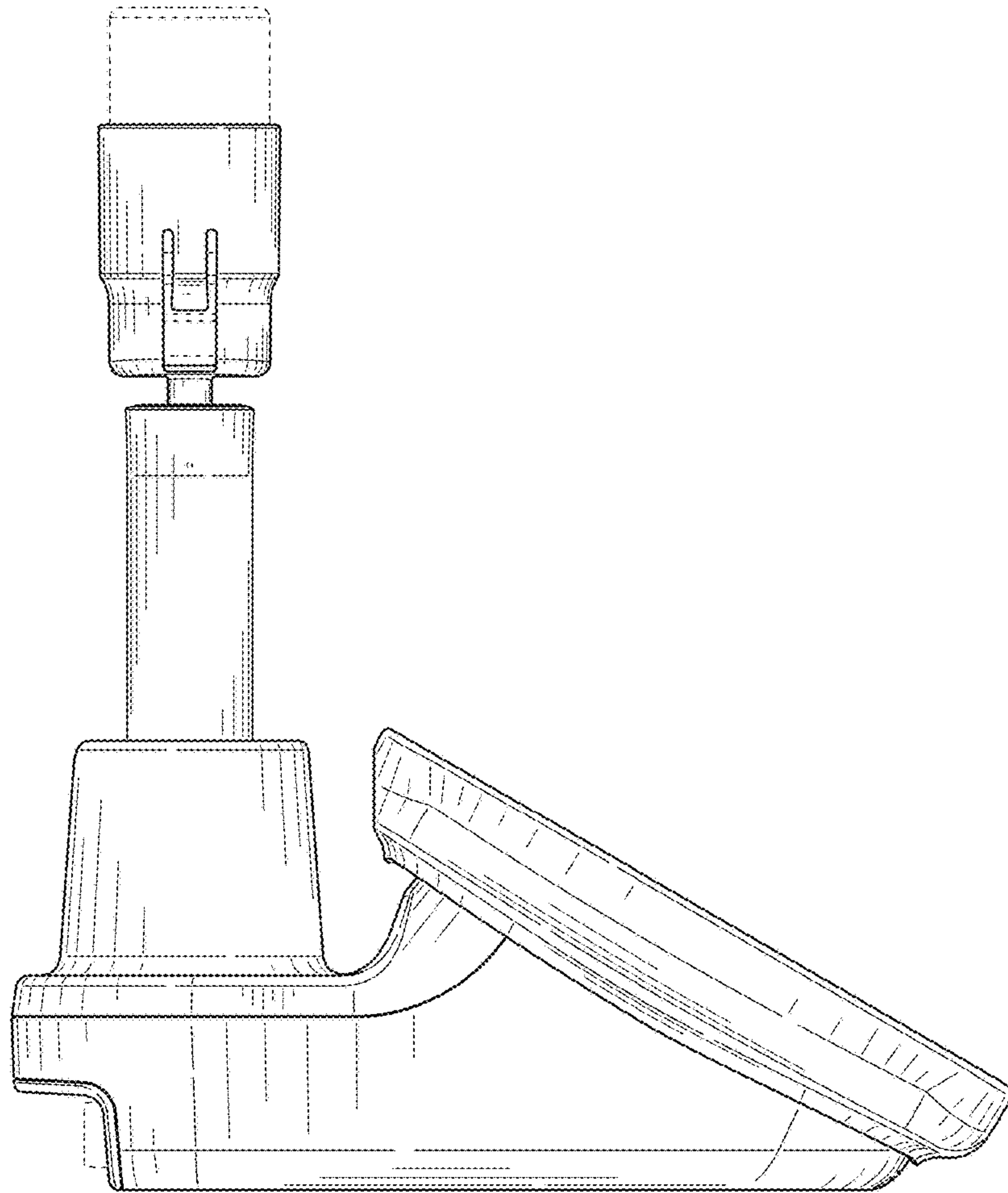


FIG. 5

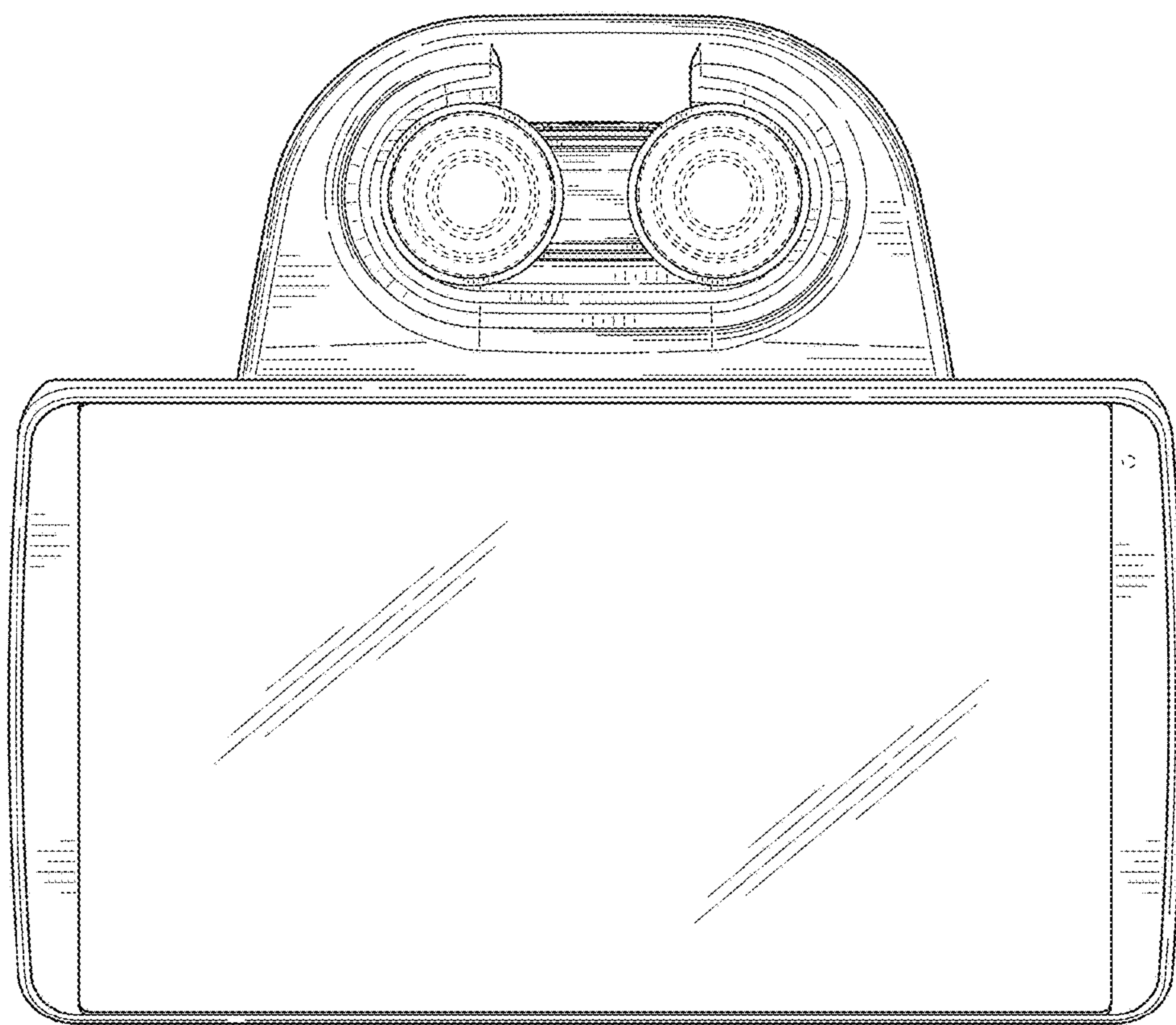


FIG. 6



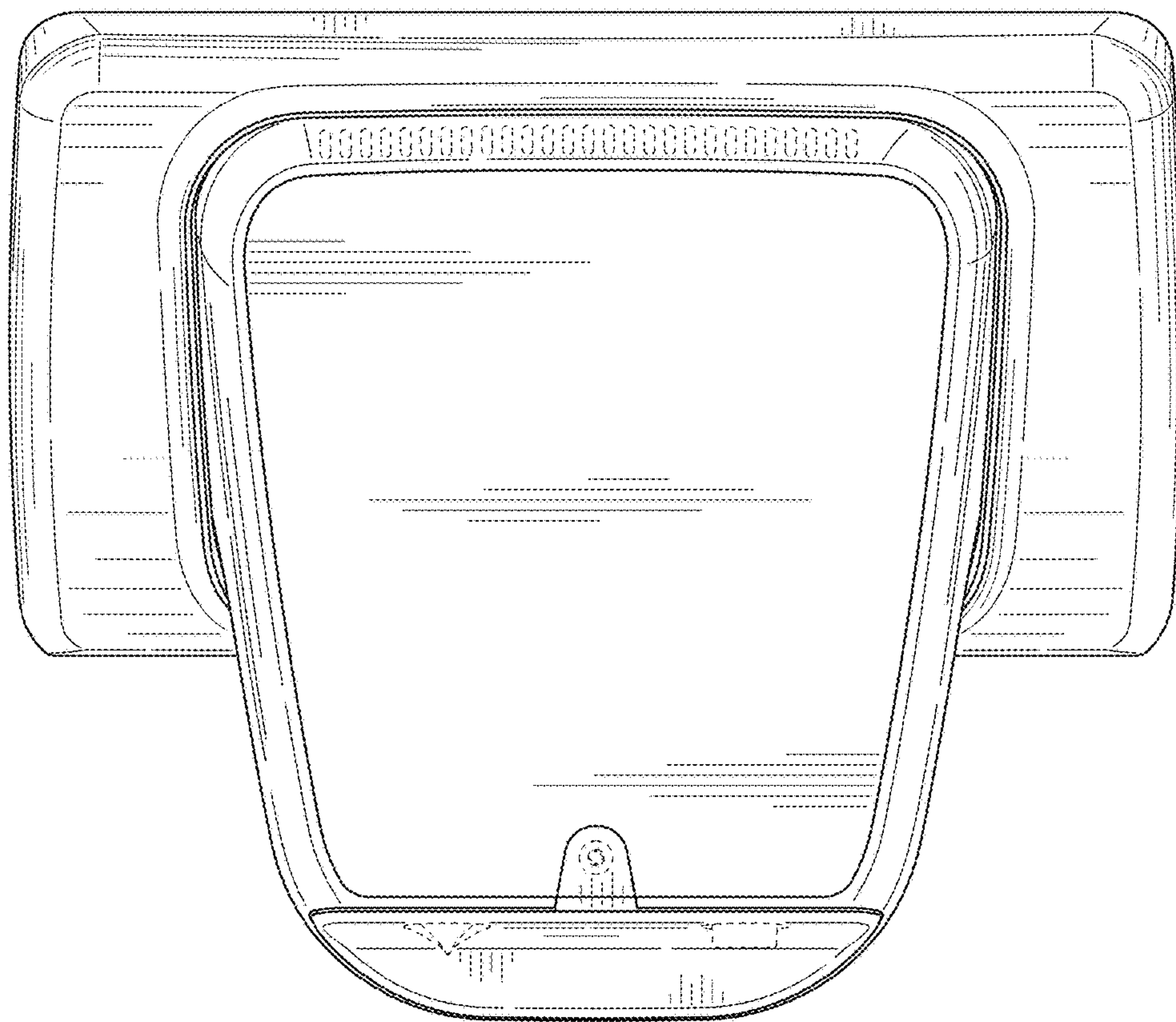


FIG. 7

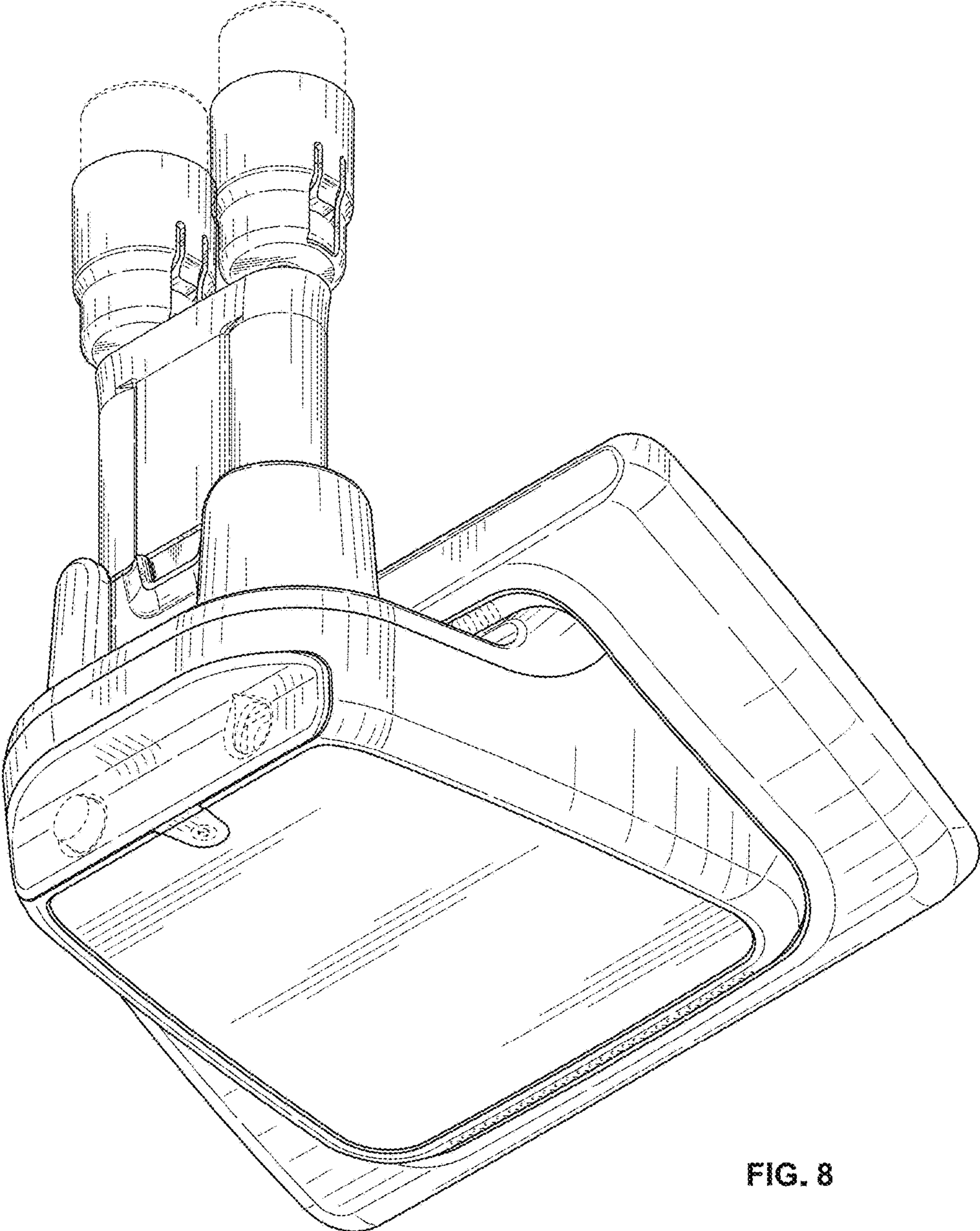


FIG. 8