



US00D868686S

(12) **United States Design Patent**
Zhong et al.

(10) **Patent No.:** **US D868,686 S**

(45) **Date of Patent:** **** Dec. 3, 2019**

(54) **ENERGY STORAGE DEVICE**

(71) Applicant: **ALLPOWERS INDUSTRIAL INTERNATIONAL LTD**, Guangzhou (CN)

(72) Inventors: **Xiao-Jun Zhong**, Guangzhou (CN);
Jin-Chao Luo, Guangzhou (CN)

(73) Assignee: **ALLPOWERS INDUSTRIAL INTERNATIONAL LTD**, Guangzhou (CN)

(**) Term: **15 Years**

(21) Appl. No.: **29/647,516**

(22) Filed: **May 14, 2018**

(51) **LOC (12) Cl.** **13-02**

(52) **U.S. Cl.**
USPC **D13/107; D13/106**

(58) **Field of Classification Search**
USPC D13/103-104, 106, 107-110, 118-119,
D13/184, 199; D14/251, 253, 432, 434;
D15/9

CPC Y02E 60/10; Y02E 60/12; Y02E 60/122;
Y02E 60/124; Y02E 60/50; H02J 7/00;
H02J 7/0003; H02J 7/0011; H02J 7/0013;
H02J 7/0034; H02J 7/0054; H02J 7/0055;
H02J 7/0057; H02J 7/1423; H02J
2001/006; H01M 10/44; H01M 10/46;
H01M 10/465; H01M 10/482; H01M
2/02; H01M 2/022; H01M 2/0202; H01M
2/0207; H01M 2/0212; H01M 2/1061;
H01M 2/1022; H01M 2/1055; H01M
2/1066; H01M 2/105; H01M 2/20; H01M
2/202; H01M 2/204; H01M 2/206; H01M
2200/30; H01M 2250/30; H01M 2250/40;
Y02T 10/7005; Y02T 10/705; Y02T
10/7088

See application file for complete search history.

(56) **References Cited**

U.S. PATENT DOCUMENTS

D420,324 S *	2/2000	Wan	D13/107
D643,810 S *	8/2011	Qualls	D13/106
D643,811 S *	8/2011	Qualls	D13/106
D664,499 S *	7/2012	Workman	D13/107
D674,747 S *	1/2013	Nierescher	D13/106
D684,115 S *	6/2013	Inskeep	D13/107
D693,294 S *	11/2013	Inskeep	D13/107
D693,762 S *	11/2013	Inskeep	D13/107
D733,048 S *	6/2015	Inskeep	D13/107
D781,783 S *	3/2017	Inskeep	D13/107
D813,161 S *	3/2018	Ortakales	D13/110
D821,313 S *	6/2018	Yang	D13/110
D837,149 S *	1/2019	Yin	D13/108
D842,240 S *	3/2019	Lai	D13/107

* cited by examiner

Primary Examiner — Rosemary K Tarcza

(74) *Attorney, Agent, or Firm* — ScienBiziP, P.C.

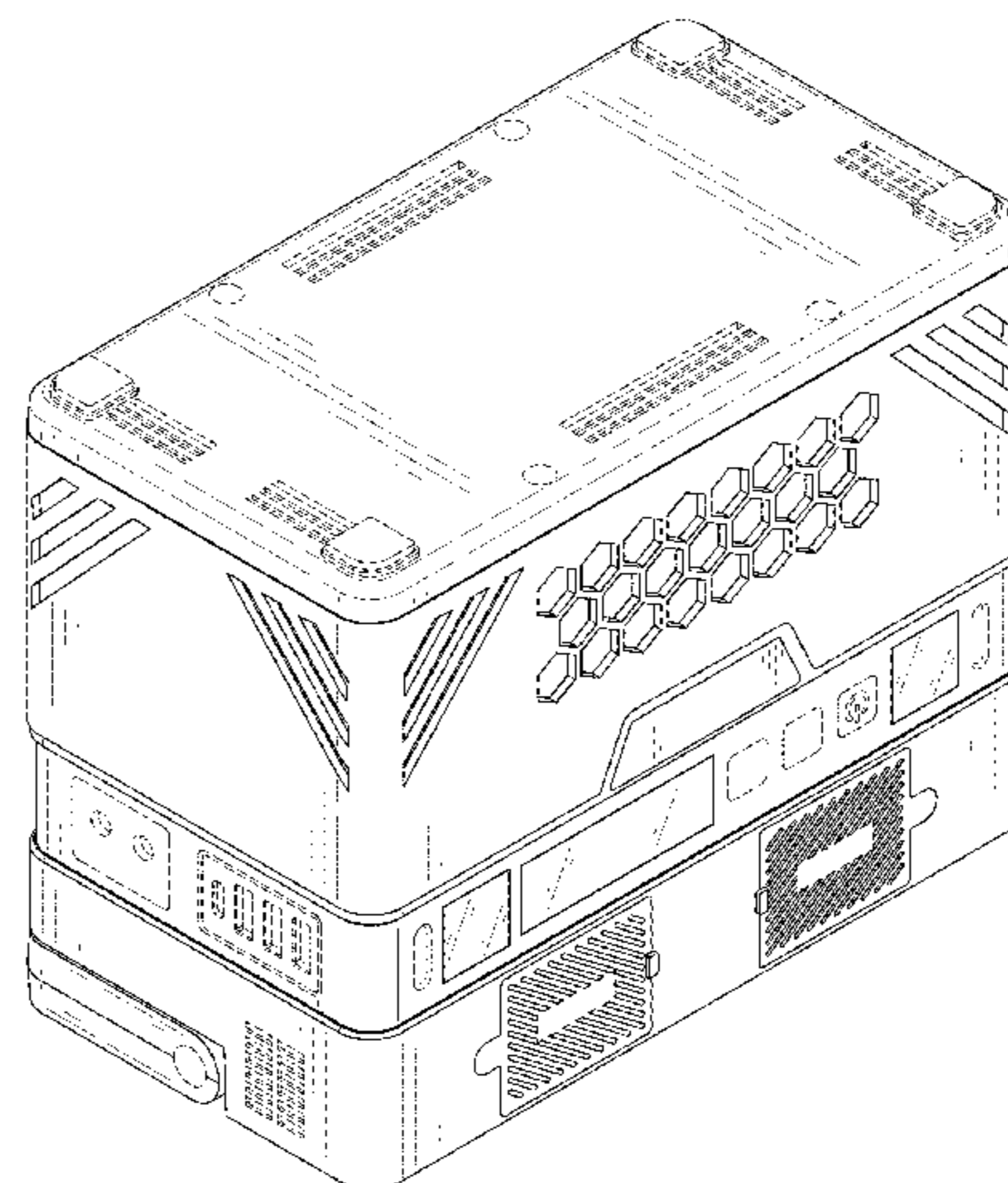
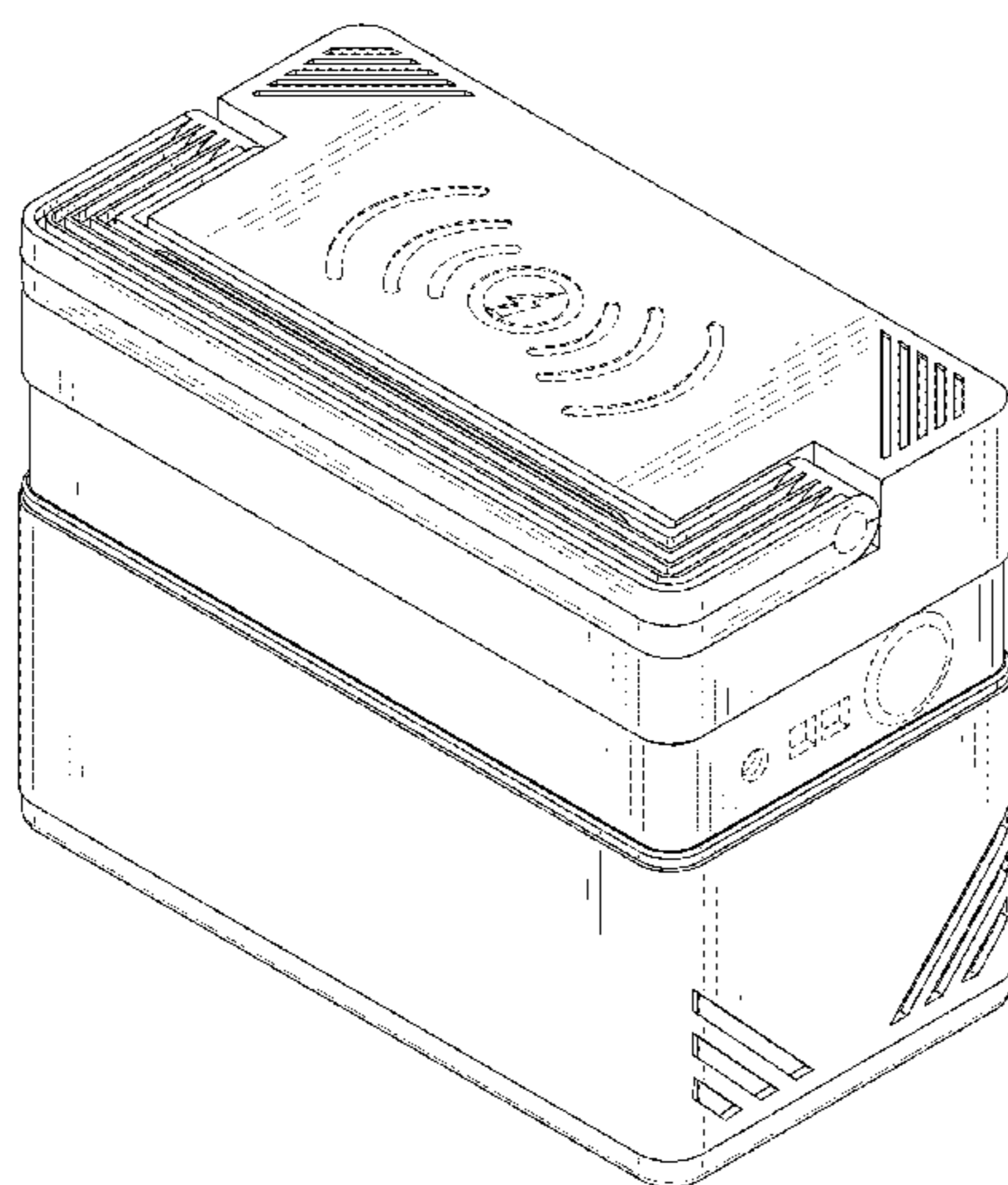
(57) **CLAIM**

The ornamental design for an energy storage device, as shown and described.

DESCRIPTION

FIG. 1 is a first perspective view of an energy storage device showing the claimed new design;
FIG. 2 is a second perspective view thereof;
FIG. 3 is a front elevational view thereof;
FIG. 4 is a rear elevational view thereof;
FIG. 5 is a left side elevational view thereof;
FIG. 6 is a right side elevational view thereof;
FIG. 7 is a top plan view thereof; and,
FIG. 8 is a bottom plan view thereof.
The broken lines immediately adjacent to the claimed portions are boundaries, all other broken lines are environmental structures; all the broken lines form no part of the claimed design.

1 Claim, 8 Drawing Sheets



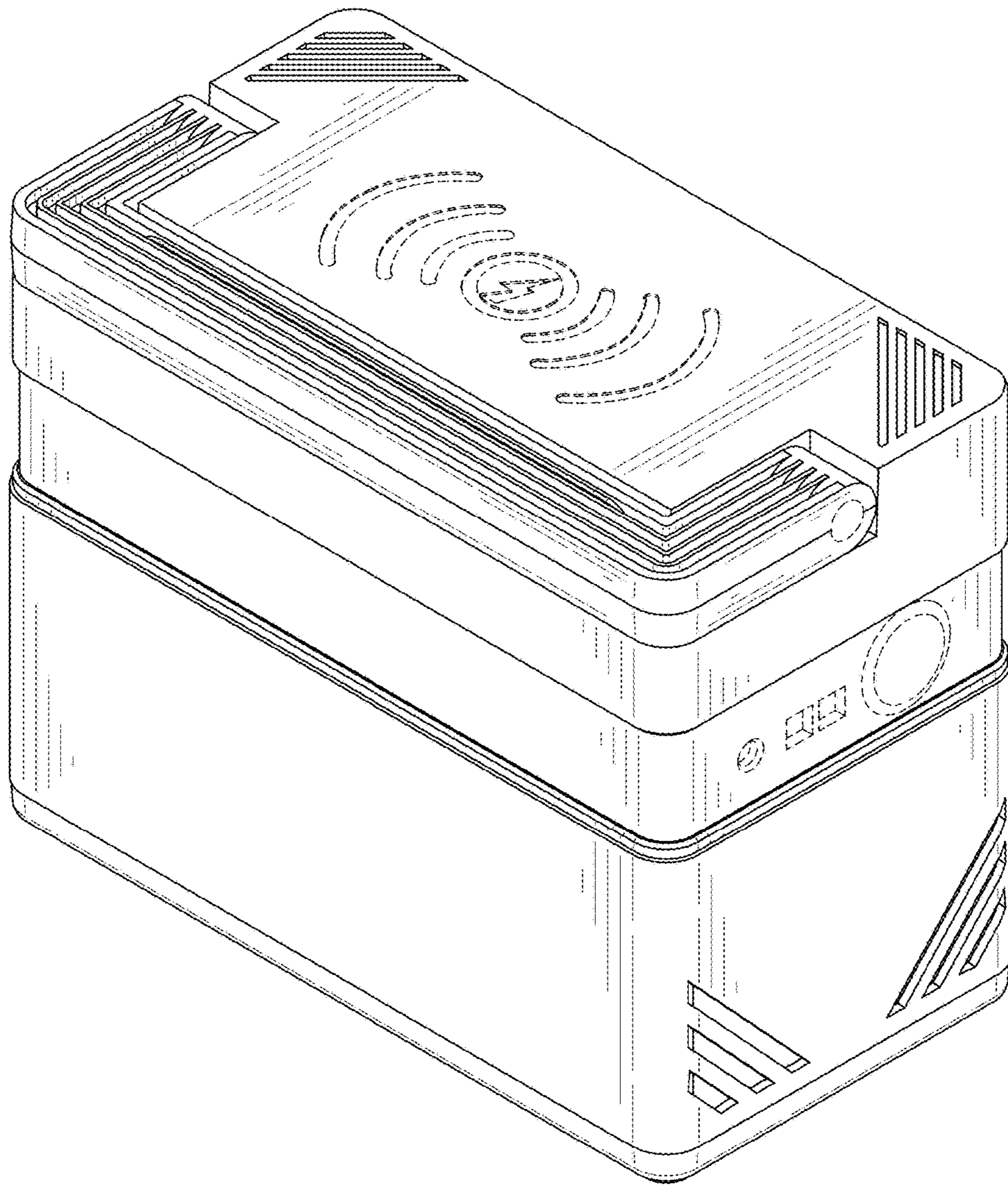


FIG. 1

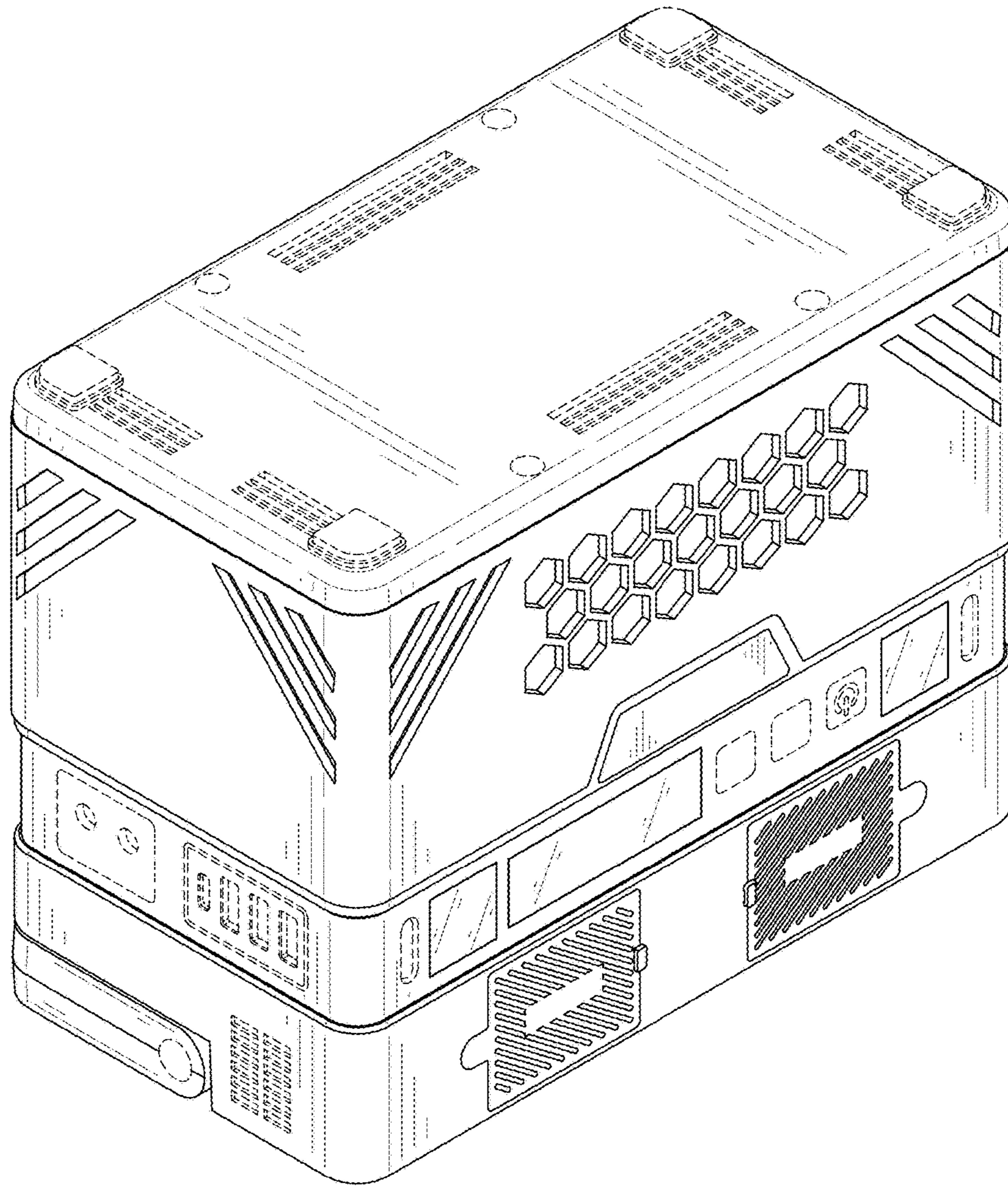


FIG. 2

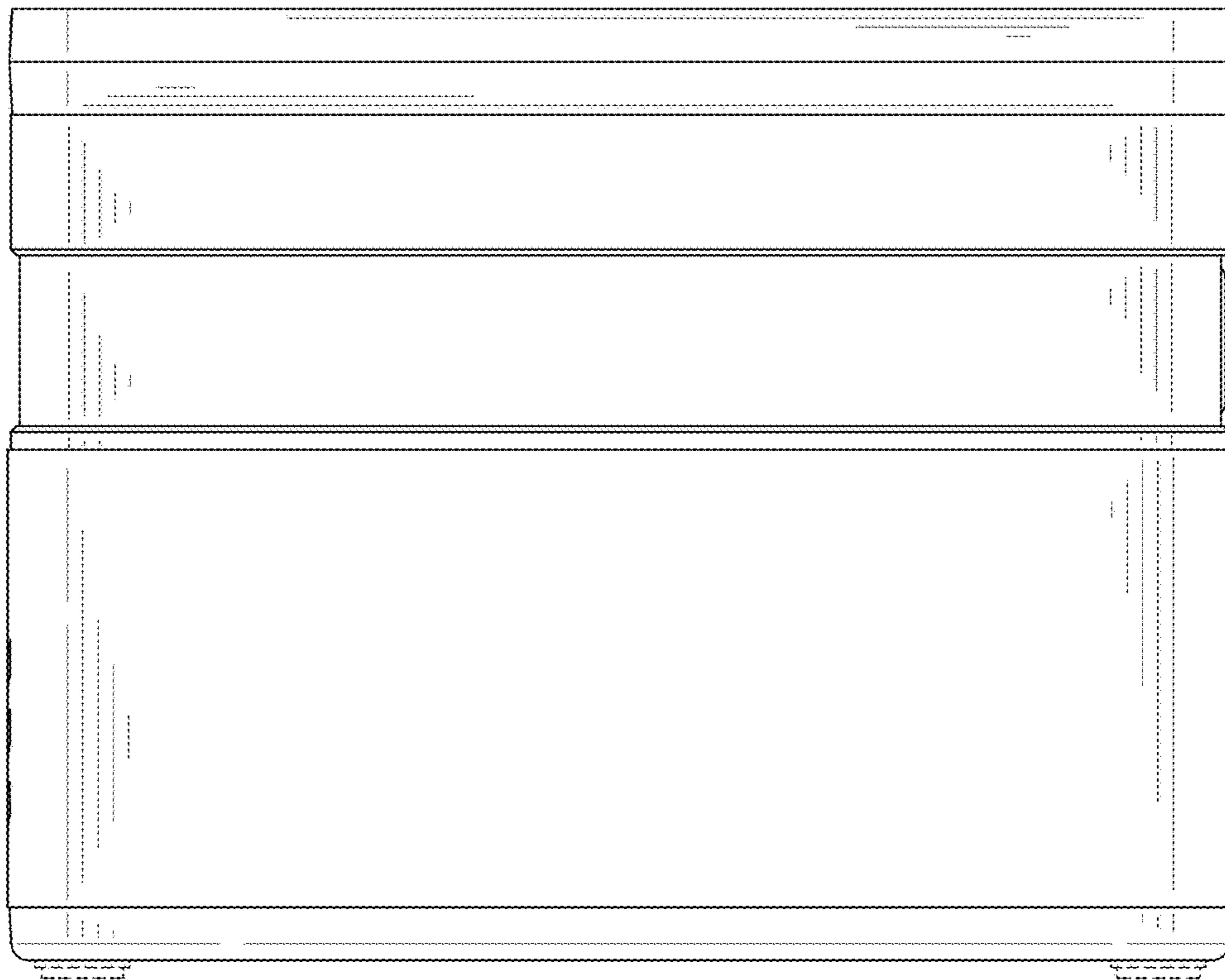


FIG. 3

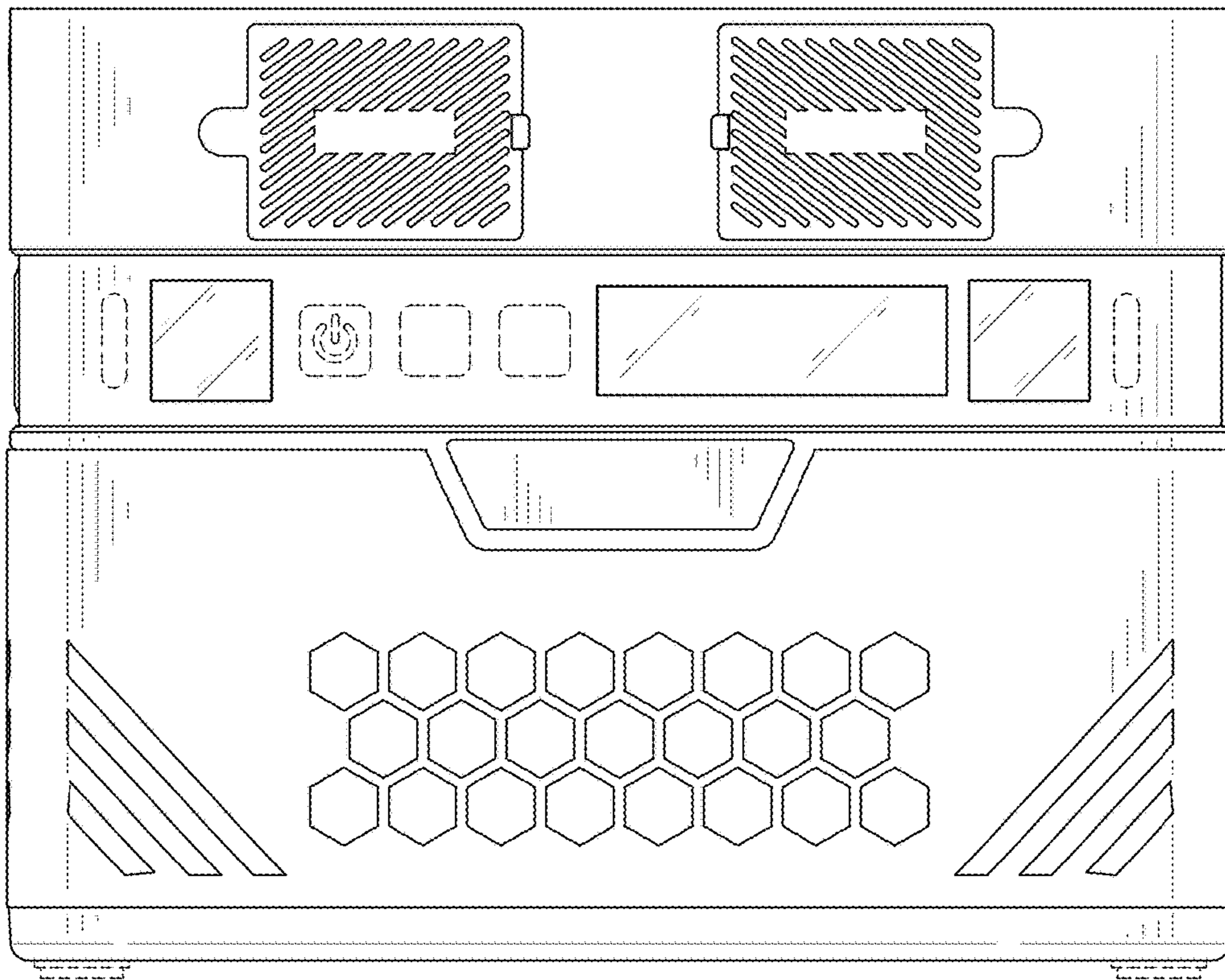


FIG. 4

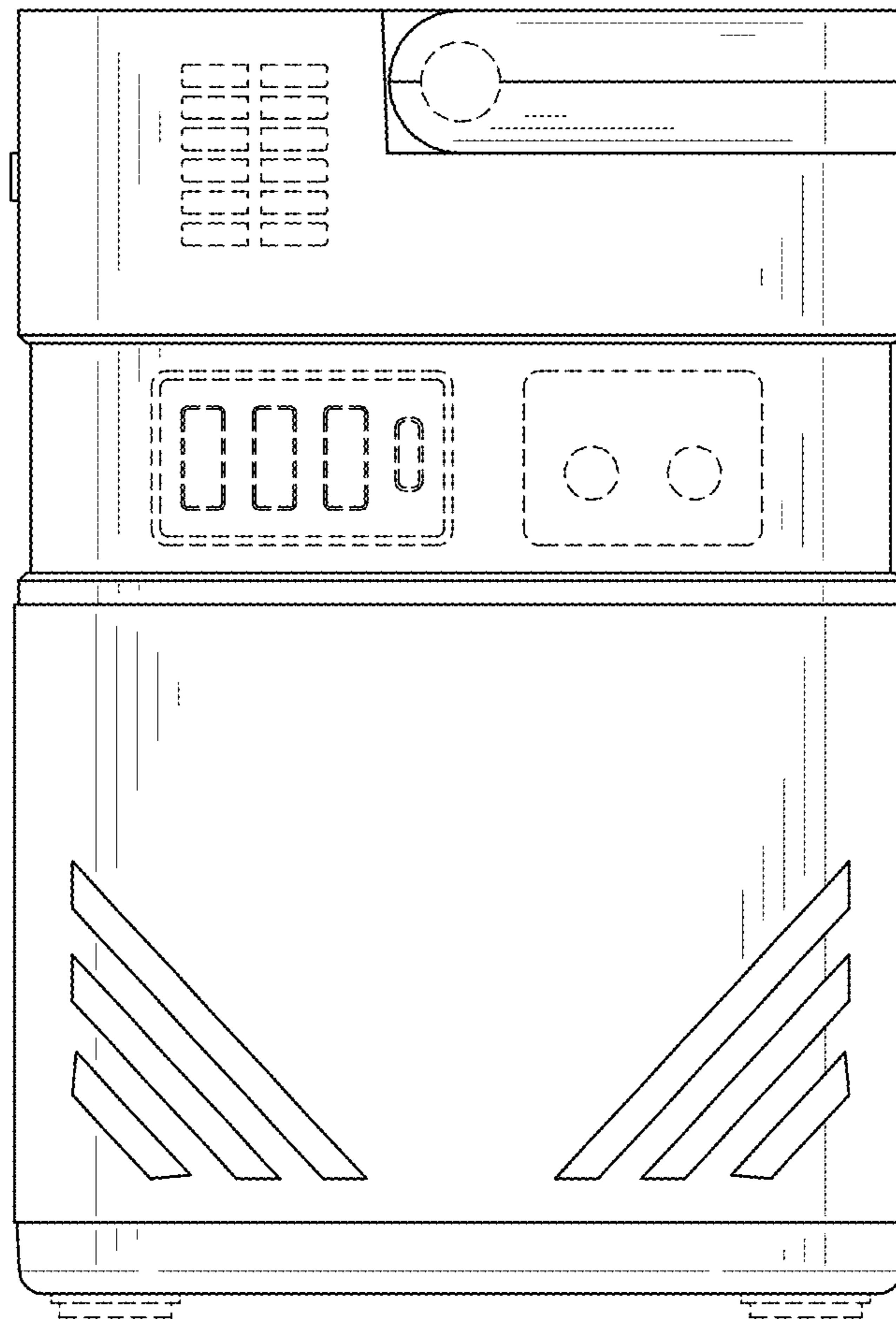


FIG. 5

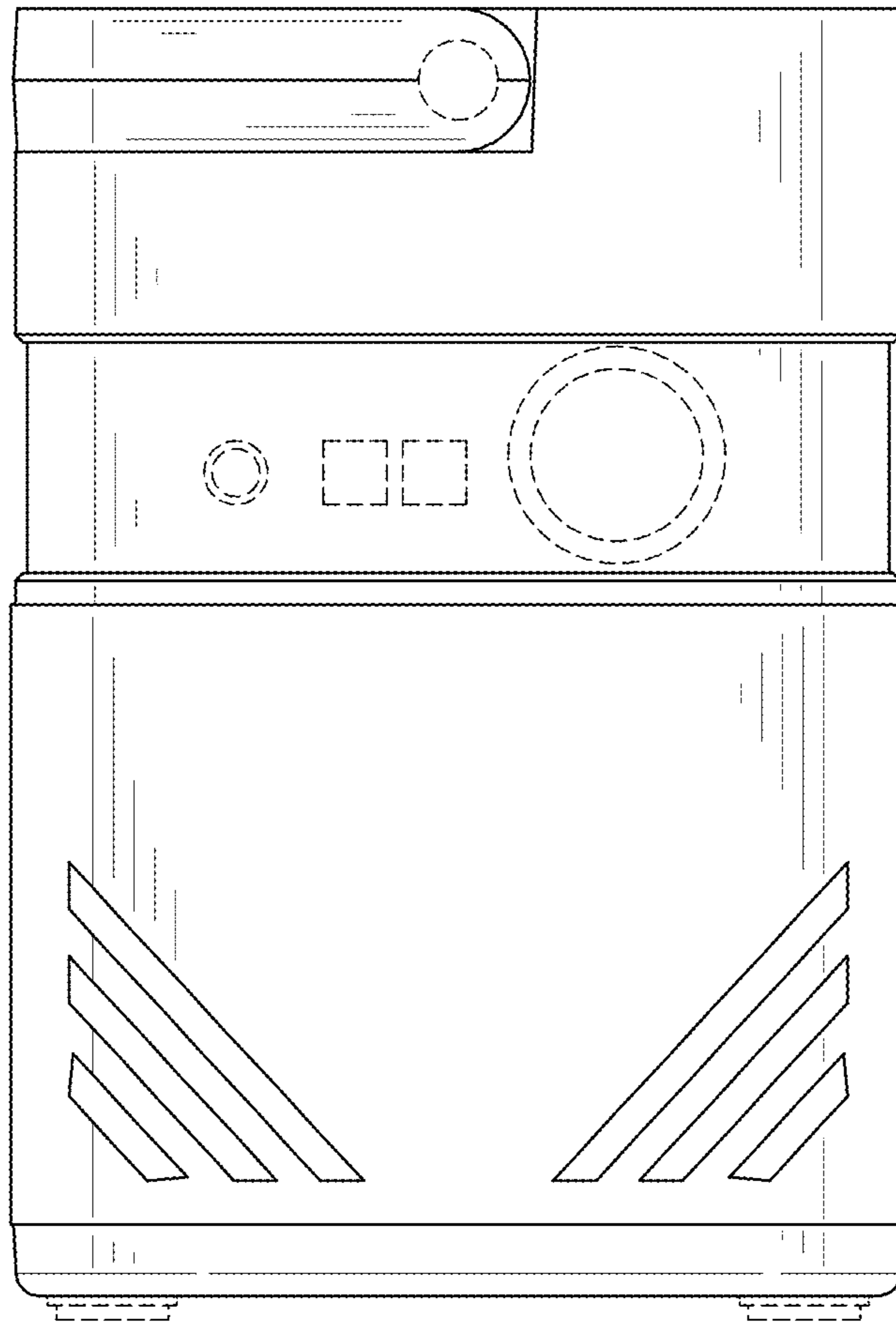


FIG. 6

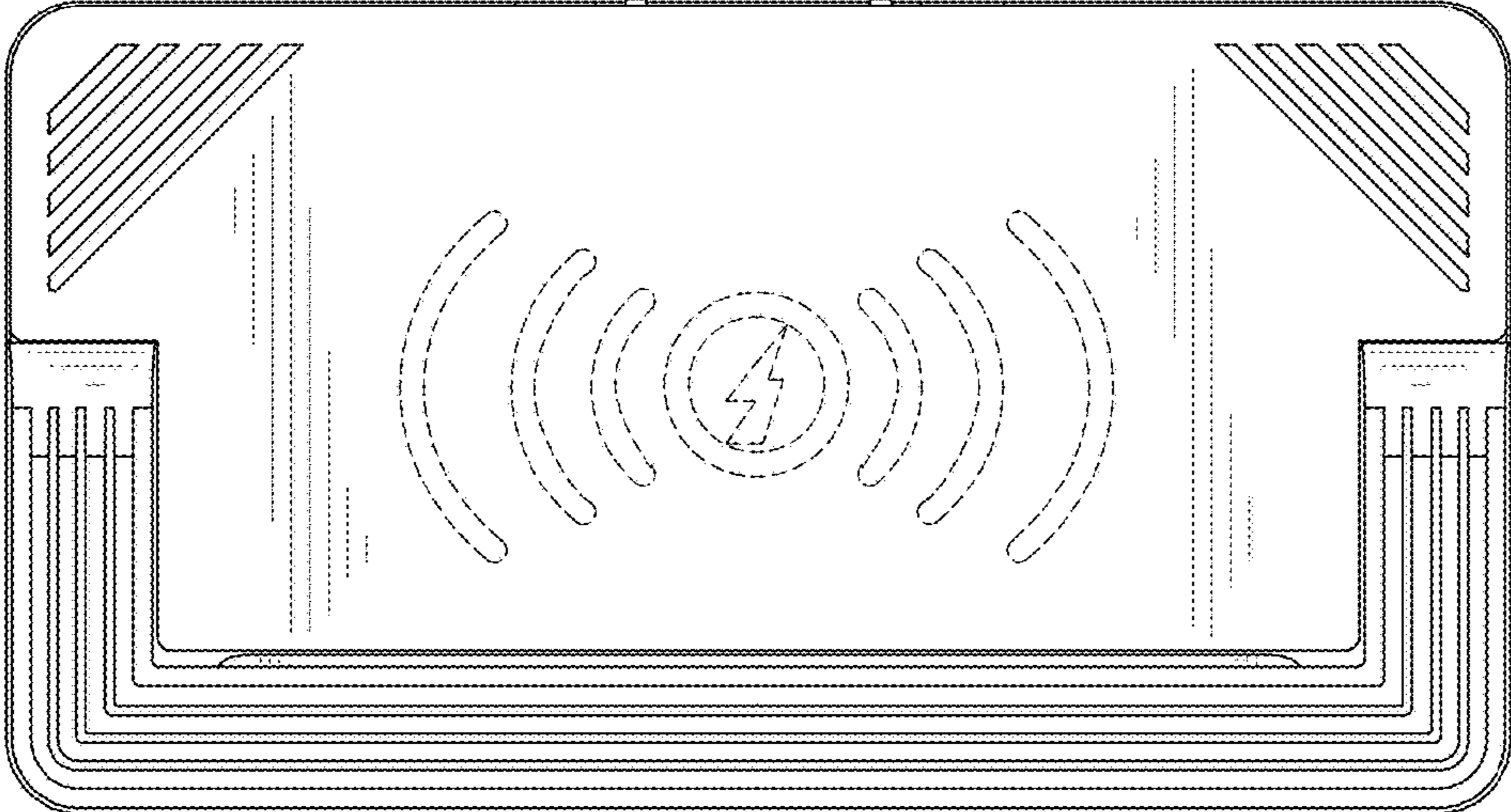


FIG. 7

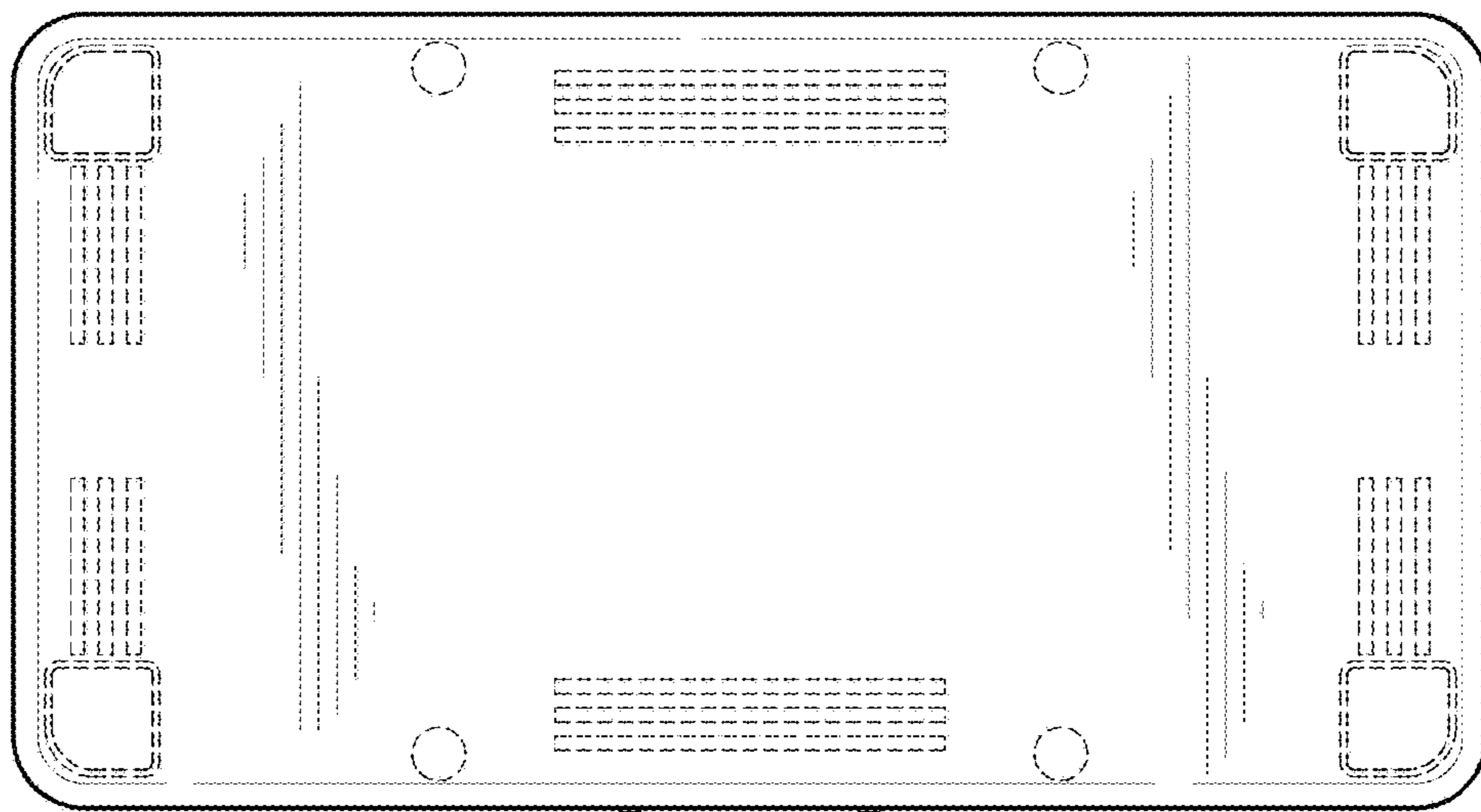


FIG. 8