



US00D868685S

(12) **United States Design Patent**  
**Niedzwecki**

(10) **Patent No.:** **US D868,685 S**

(45) **Date of Patent:** **\*\* Dec. 3, 2019**

(54) **BATTERY PACK**

(71) Applicant: **SHARKNINJA OPERATING LLC**,  
Newton, MA (US)

(72) Inventor: **Scott B. Niedzwecki**, East Walpole,  
MA (US)

(73) Assignee: **SharkNinja Operating LLC**,  
Needham, MA (US)

(\*\*) Term: **15 Years**

(21) Appl. No.: **29/614,904**

(22) Filed: **Aug. 24, 2017**

(51) **LOC (12) Cl.** ..... **13-02**

(52) **U.S. Cl.**  
USPC ..... **D13/103**

(58) **Field of Classification Search**  
USPC ..... D13/102-106, 110, 118, 119, 184, 199,  
D13/107, 108; D14/250  
CPC ..... Y02E 60/12; Y02E 60/122; Y02E 60/124;  
Y02E 60/50; H01M 2/02; H01M 2/022;  
H01M 2/0202; H01M 2/0207; H01M  
2/0212; H01M 2/1061; H01M 2/1022;  
H01M 2/1055; H01M 2/1066; H01M  
2/105; H01M 2/204; H01M 10/4257;  
H01M 10/0436; H01M 10/48; H02J 7/00;  
H02J 7/0003; H02J 7/0011; H02J 7/0013;  
H02J 7/0054; H02J 7/0055; H02J 7/0057  
See application file for complete search history.

(56) **References Cited**

**U.S. PATENT DOCUMENTS**

D595,647 S \* 7/2009 Shum ..... D13/110  
D629,746 S \* 12/2010 Workman ..... D13/103  
D742,822 S \* 11/2015 Ju ..... D13/103

D743,332 S \* 11/2015 Ju ..... D13/103  
D803,151 S \* 11/2017 Zhou ..... D13/107  
D809,454 S \* 2/2018 Zhou ..... D13/103  
D830,966 S \* 10/2018 Siminoff ..... D13/103  
D837,147 S \* 1/2019 Baxter ..... D13/108

**OTHER PUBLICATIONS**

Amazon.com: Shark Rechargeable Lithium-ION Battery Pack. Pub-  
lished Dec. 2, 2017. Retrieved from the internet at <<https://www.amazon.com/Rechargeable-Lithium-ION-Battery-Cordless-XBAT200-x/dp/B00HBZ8QIU#customerReviews>>, Jan. 1, 2019. 1 page. (Year: 2017).\*

\* cited by examiner

*Primary Examiner* — Rosemary K Tarcza

*Assistant Examiner* — Christy M Nemeth

(74) *Attorney, Agent, or Firm* — Grossman Tucker  
Perreault & Pflieger, PLLC

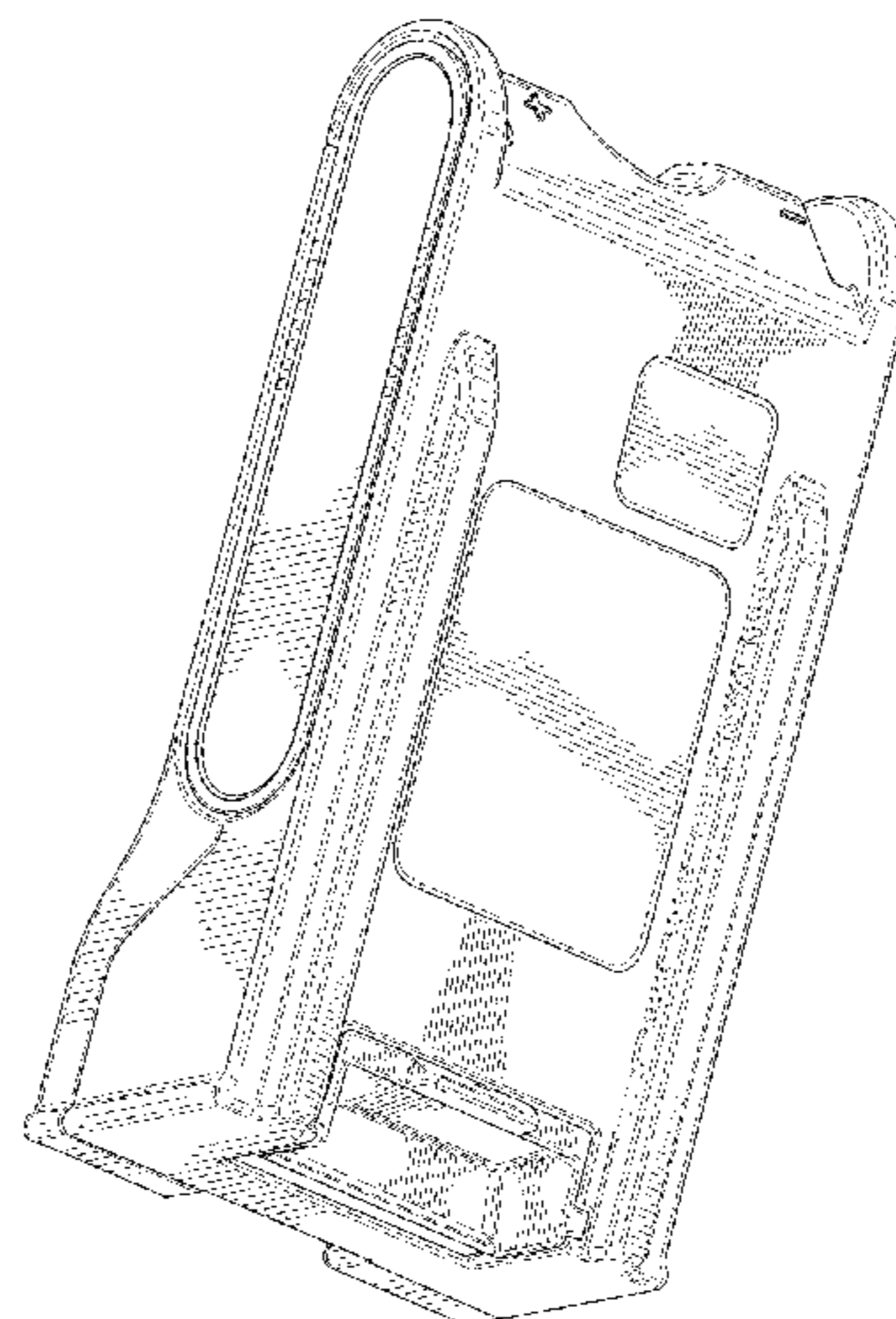
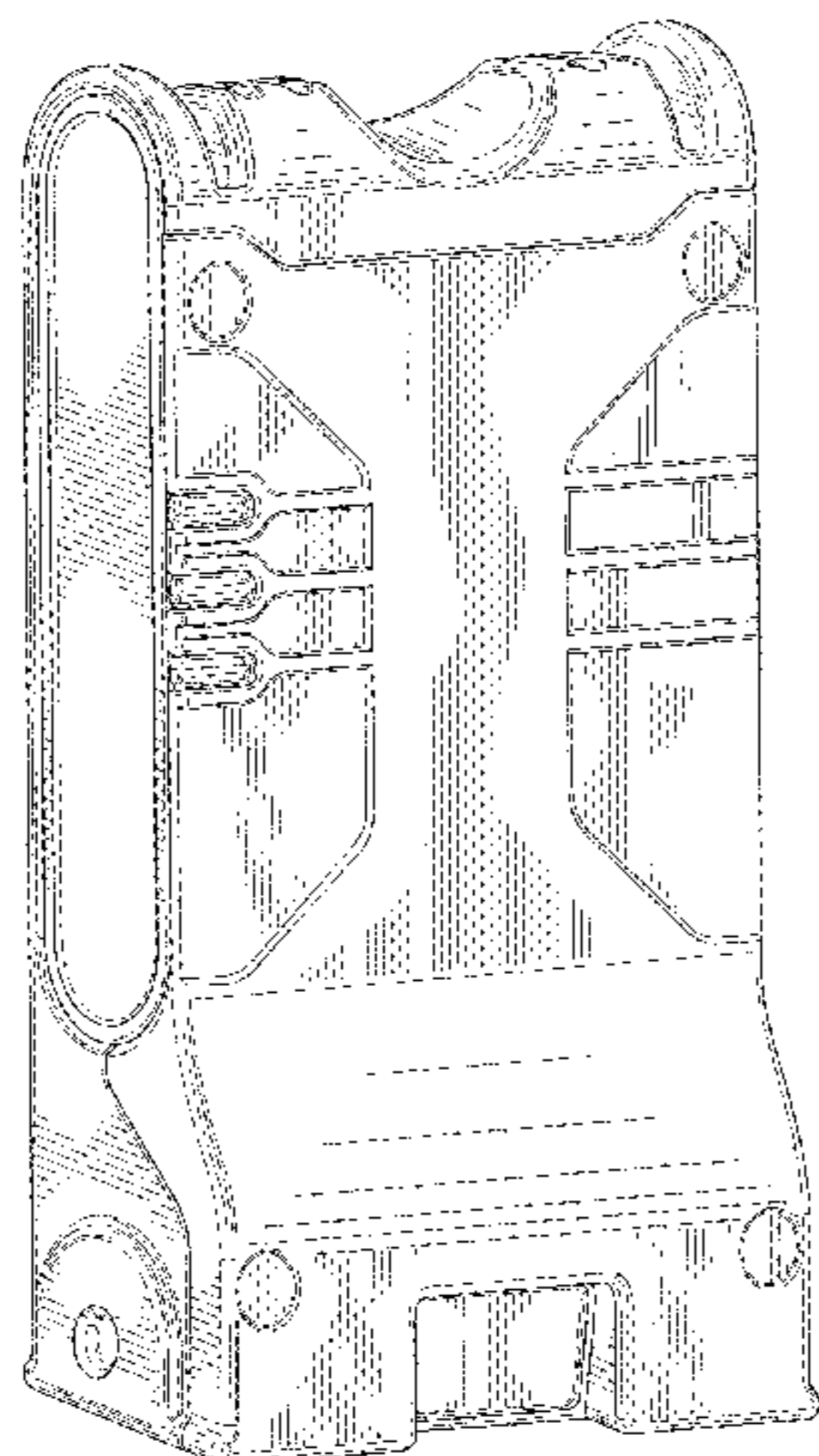
(57) **CLAIM**

The ornamental design for a battery pack, as shown and  
described.

**DESCRIPTION**

FIG. 1 is a front-top-right side perspective view of a battery  
pack, showing the new design;  
FIG. 2 is a top view thereof;  
FIG. 3 is a bottom view thereof;  
FIG. 4 is a left side view thereof;  
FIG. 5 is a right side view thereof;  
FIG. 6 is a front view thereof;  
FIG. 7 is a rear view thereof; and,  
FIG. 8 is a rear-bottom-left side perspective view thereof.  
Broken lines in the drawings are for the purpose of illus-  
trating portions of the battery pack that form no part of the  
claimed design.

**1 Claim, 8 Drawing Sheets**



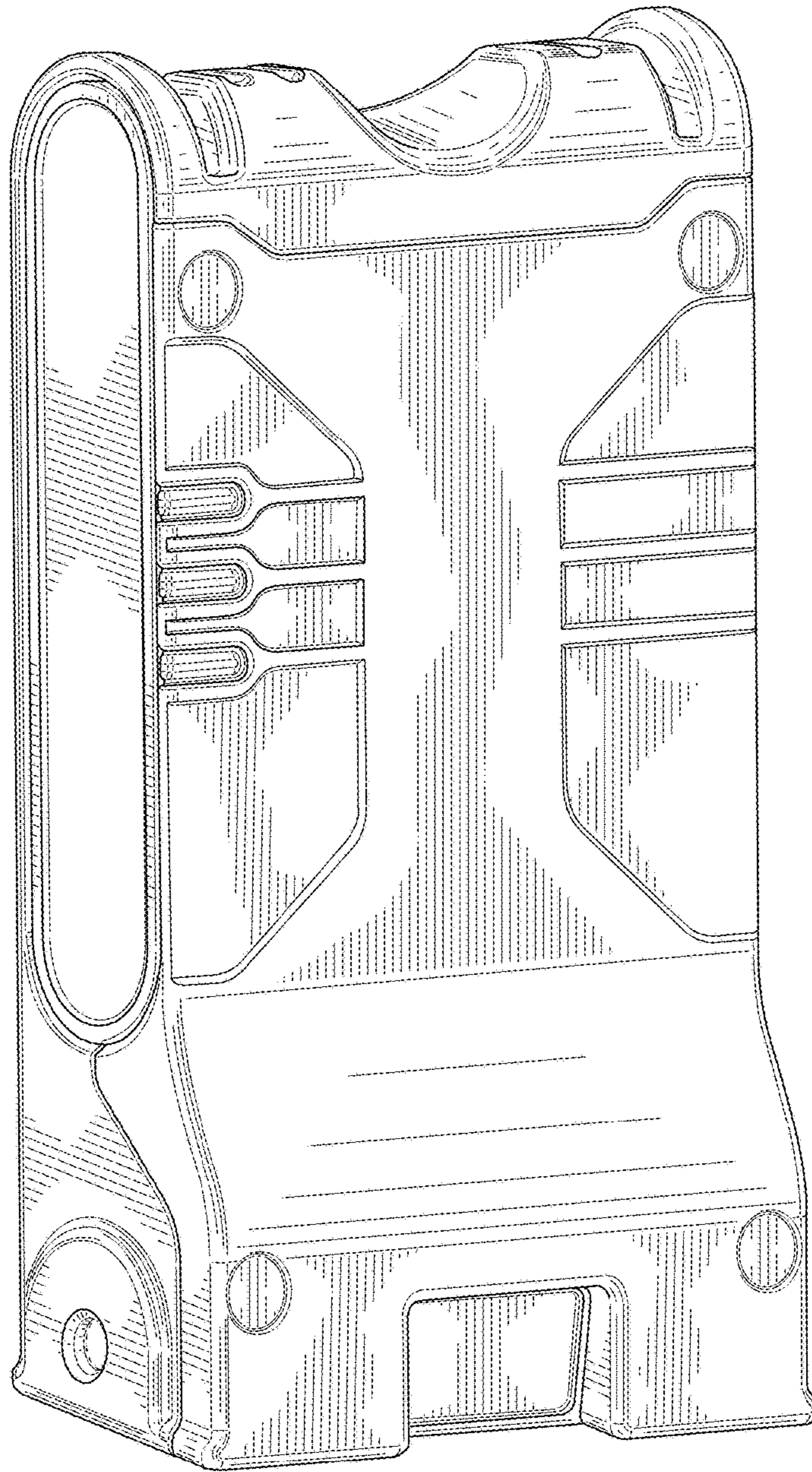


FIG. 1

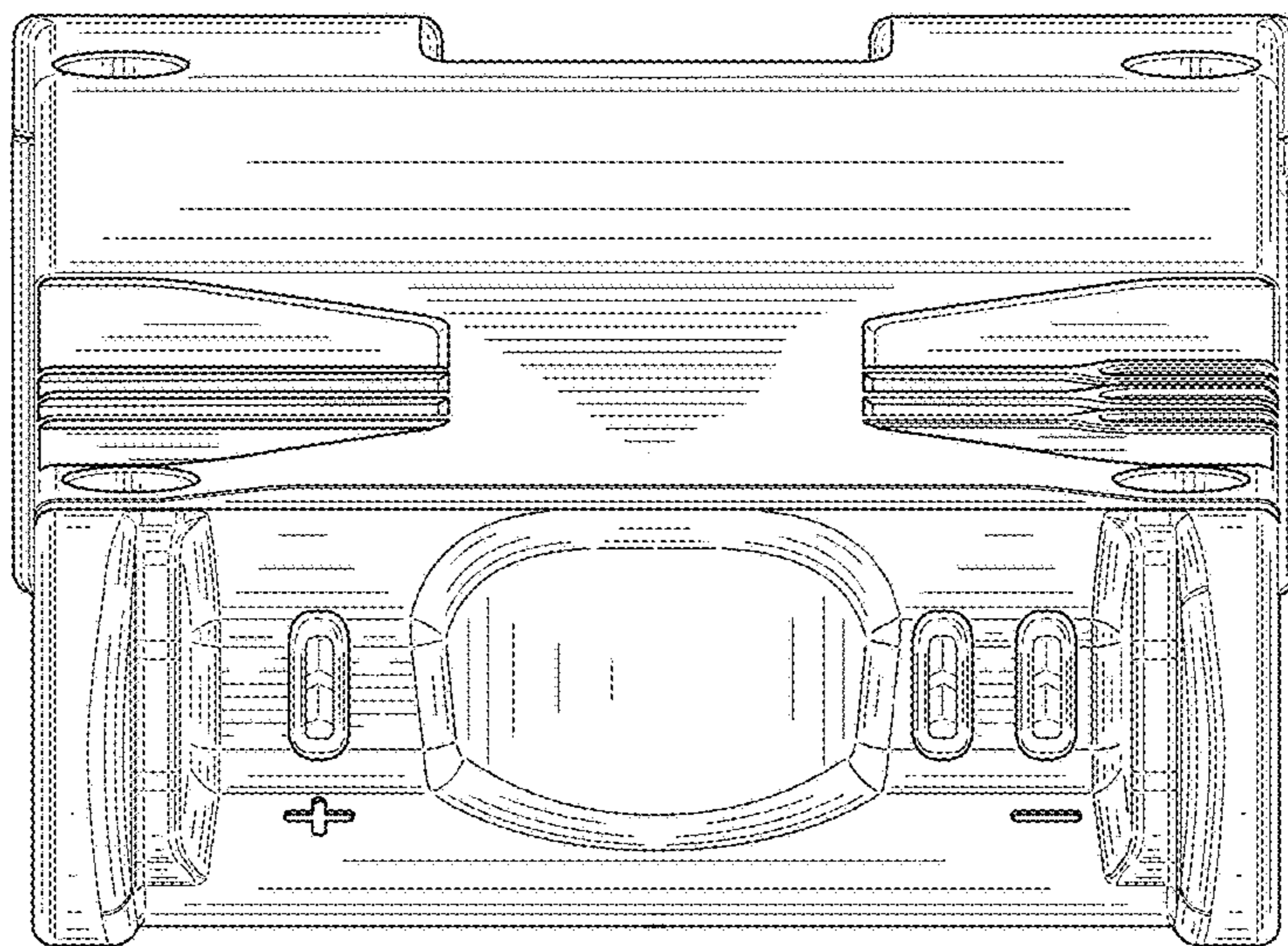


FIG. 2



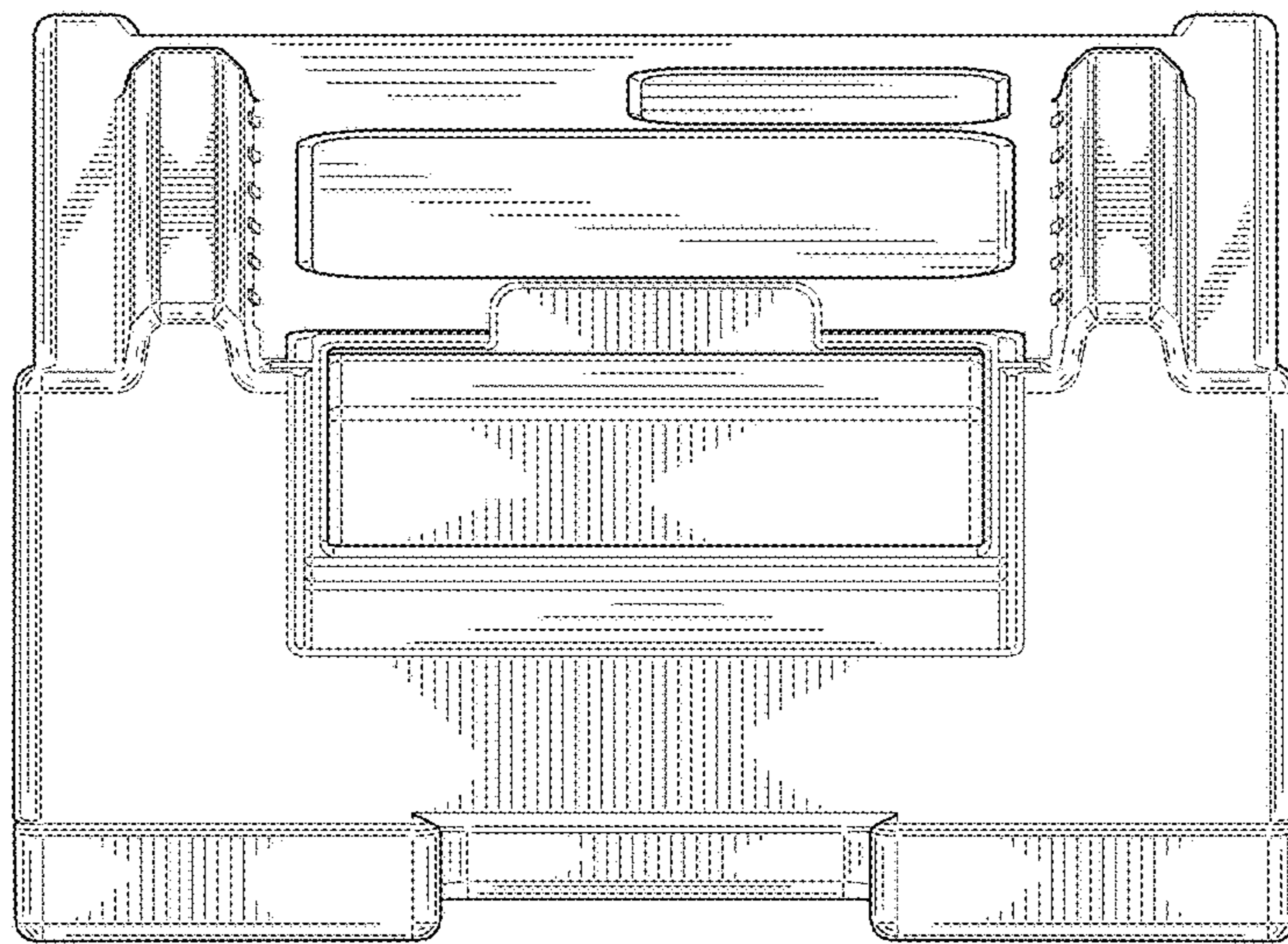


FIG. 3

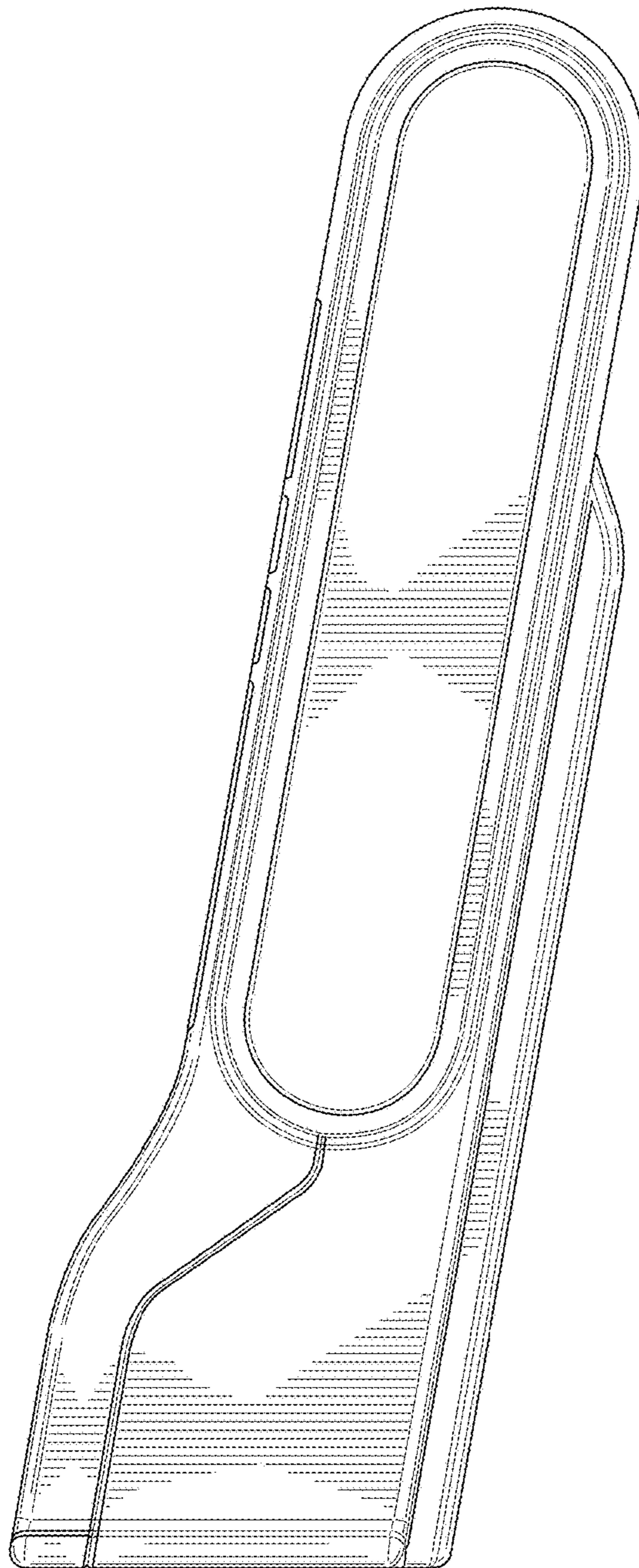


FIG. 4

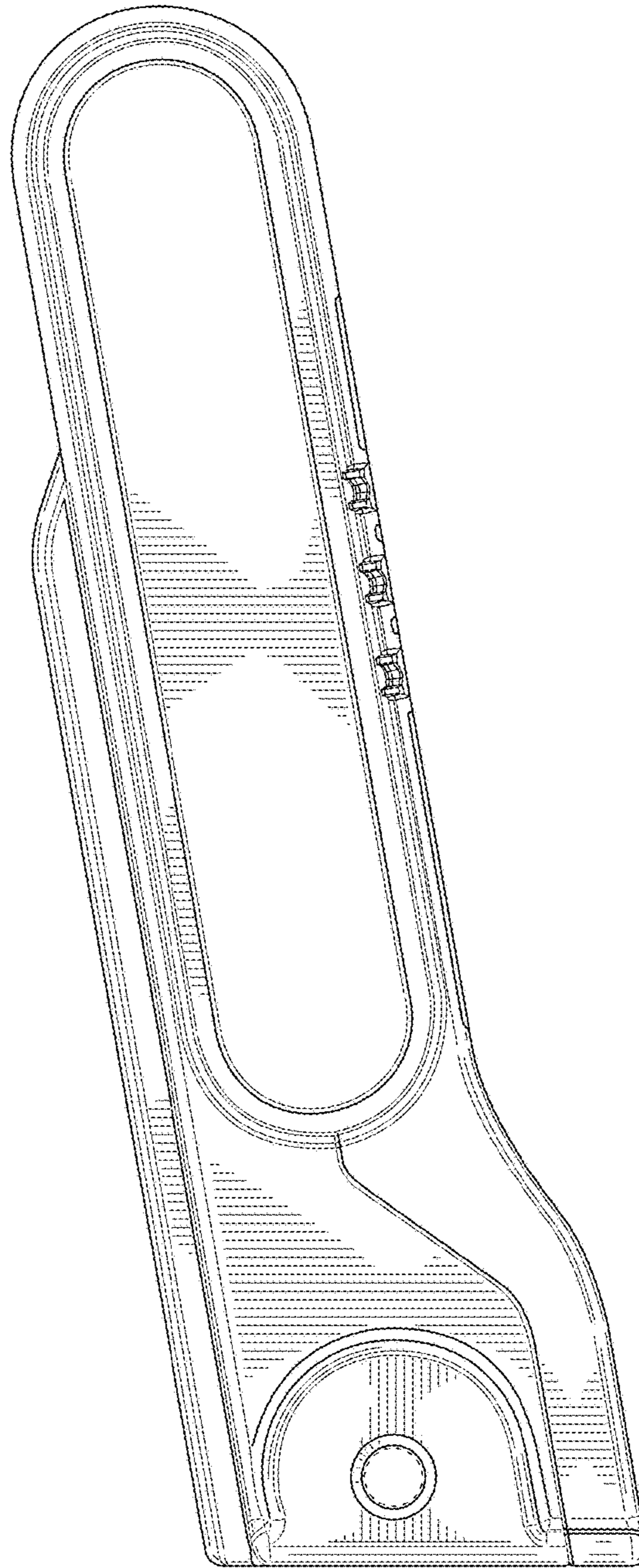


FIG. 5

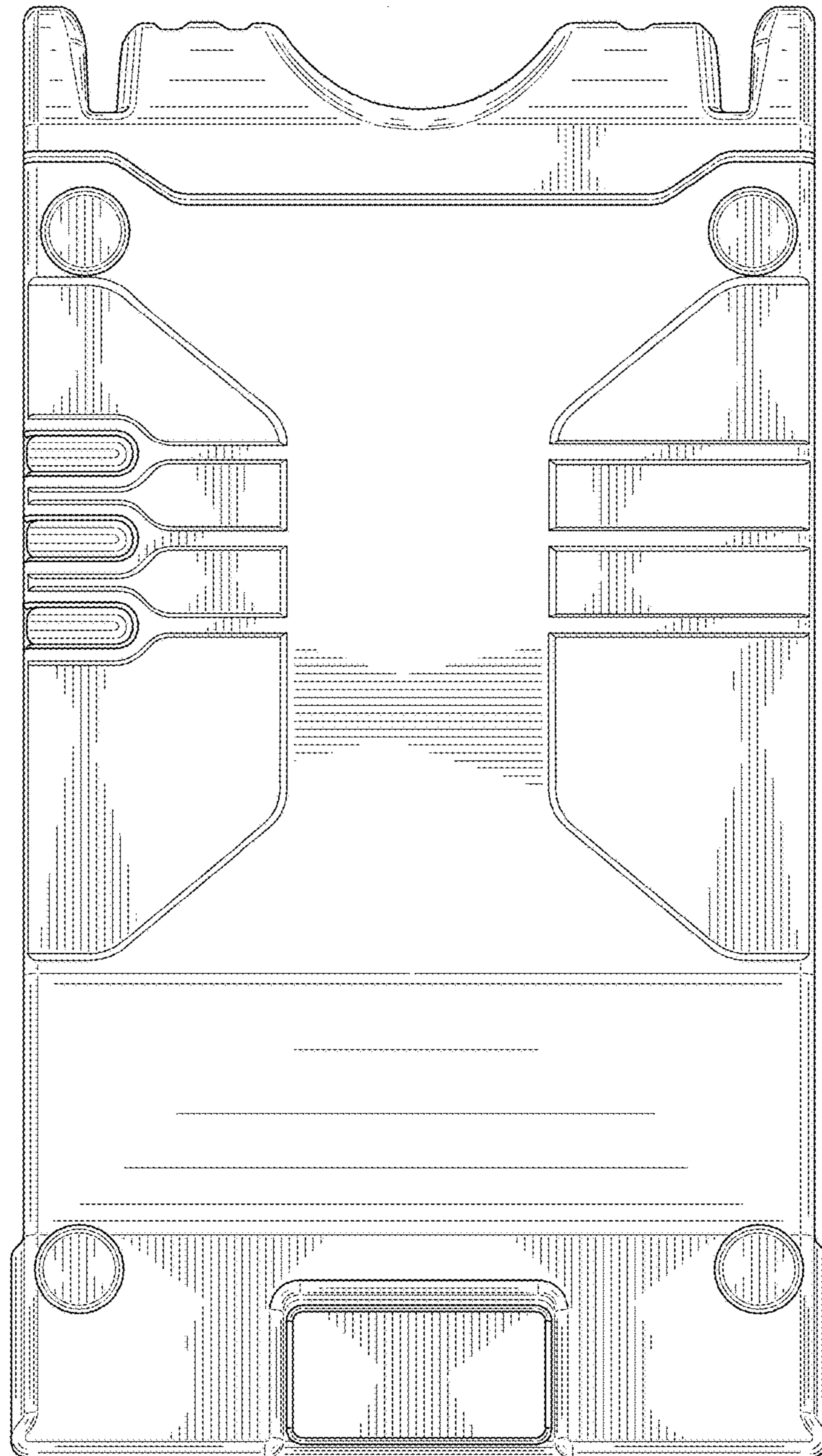


FIG. 6



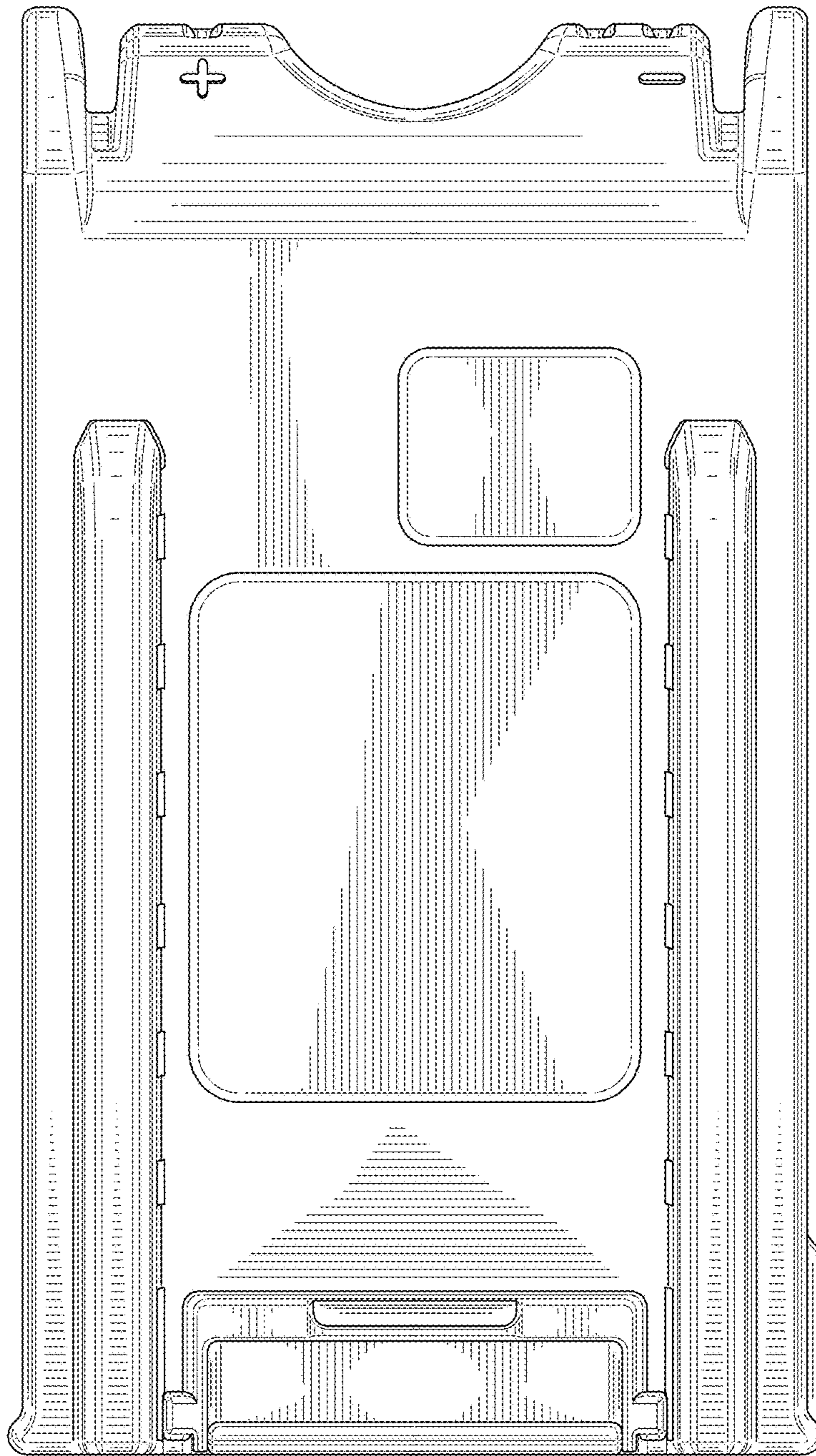


FIG. 7



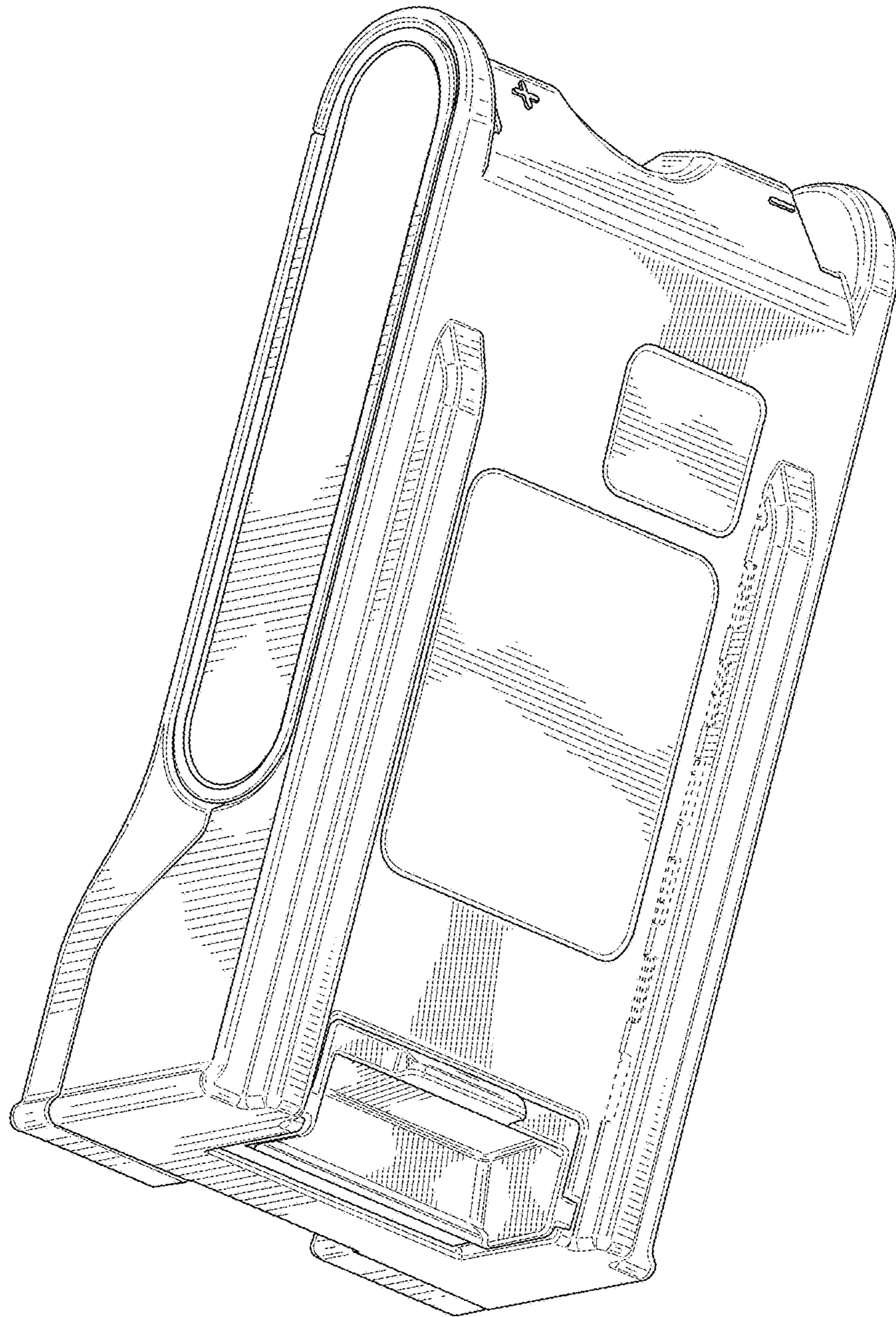


FIG. 8