



US00D868683S

(12) **United States Design Patent** (10) **Patent No.:** **US D868,683 S**
Hamanaka et al. (45) **Date of Patent:** **** Dec. 3, 2019**

(54) **AUTOMOBILE TIRE**

(71) Applicant: **THE YOKOHAMA RUBBER CO., LTD.**, Minato-ku, Tokyo (JP)

(72) Inventors: **Hideki Hamanaka**, Hiratsuka (JP);
Kotaro Iwabuchi, Tokyo (JP)

(73) Assignee: **THE YOKOHAMA RUBBER CO., LTD.**, Minato-ku, Tokyo (JP)

(**) Term: **15 Years**

(21) Appl. No.: **29/649,783**

(22) Filed: **Jun. 1, 2018**

(30) **Foreign Application Priority Data**

Dec. 1, 2017 (JP) 2017-026913

(51) **LOC (12) Cl.** **12-15**

(52) **U.S. Cl.**
USPC **D12/596**

(58) **Field of Classification Search**
USPC D12/544, 545, 571, 574, 579, 580, 594,
D12/596, 600, 602, 605
CPC B60C 11/11
See application file for complete search history.

(56) **References Cited**

U.S. PATENT DOCUMENTS

D112,993 S * 1/1939 Hardeman D12/571
D303,363 S * 9/1989 Graas B60C 11/11
D12/602
D303,364 S * 9/1989 Graas D12/602
D317,145 S * 5/1991 Iwamura D12/596

D329,031 S * 9/1992 Lassan D12/597
D350,509 S * 9/1994 Killian D12/597
5,343,914 A * 9/1994 Wako B60C 11/11
152/209.18
D384,309 S * 9/1997 Heinen D12/602
D648,262 S * 11/2011 Hermann D12/579
D742,812 S * 11/2015 Hutz D12/602

* cited by examiner

Primary Examiner — Robert M. Spear

(74) *Attorney, Agent, or Firm* — Banner & Witcoff, Ltd.

(57) **CLAIM**

The ornamental design for an automobile tire, as shown and described.

DESCRIPTION

FIG. 1 is a perspective view of an automobile tire showing our new design;
FIG. 2 is a front view thereof;
FIG. 3 is a rear view thereof;
FIG. 4 is a right side view thereof;
FIG. 5 is a left side view thereof;
FIG. 6 is a top view thereof;
FIG. 7 is a bottom view thereof;
FIG. 8 is an enlarged perspective view thereof taken at a portion defined by lines 8-8 shown in FIG. 1;
FIG. 9 is an enlarged view thereof taken at a portion defined by lines 9-9 shown in FIG. 2; and,
FIG. 10 is an end view thereof taken at a portion defined by lines 10-10 shown in FIG. 9.
In the drawings, the broken lines depict environmental subject matter only and form no part of the claimed design. The dot and dashed lines represents a boundary between the claimed portion and the non-claimed portion.

1 Claim, 10 Drawing Sheets

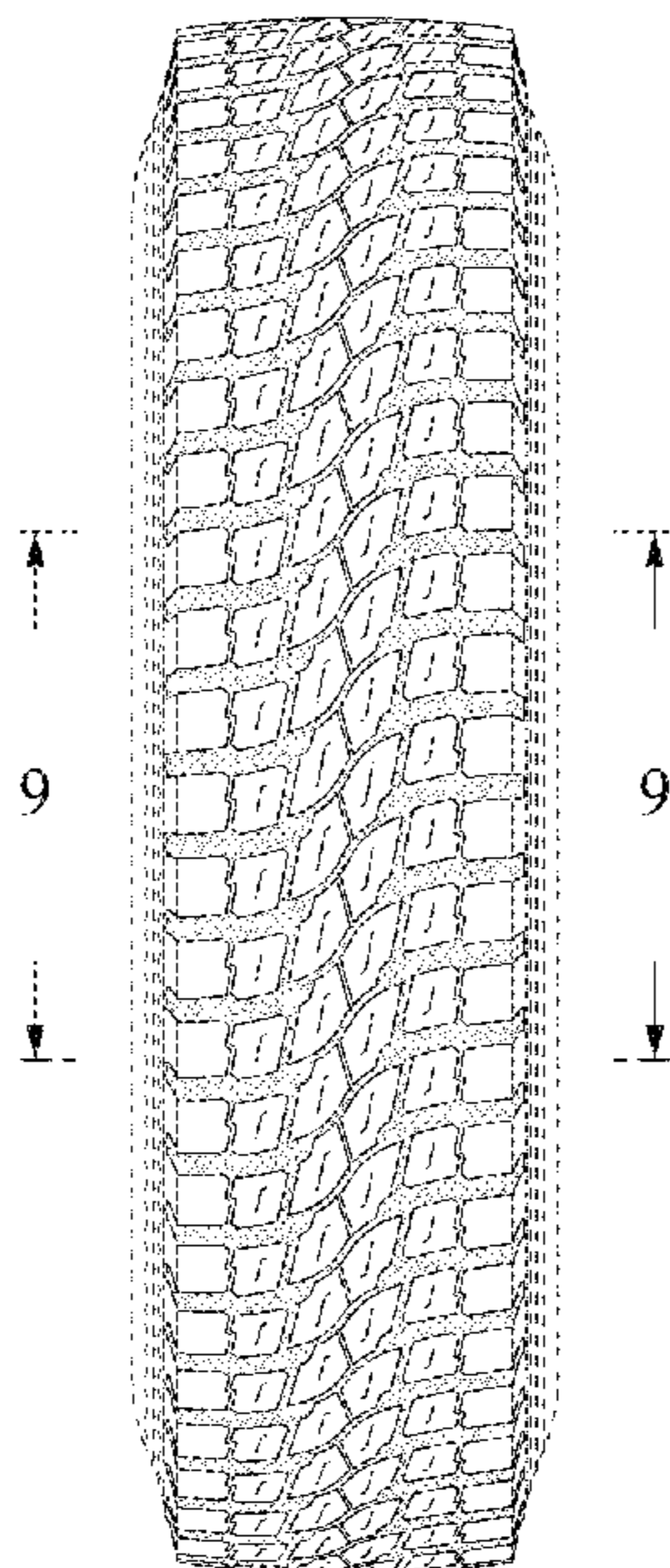


FIG. 1

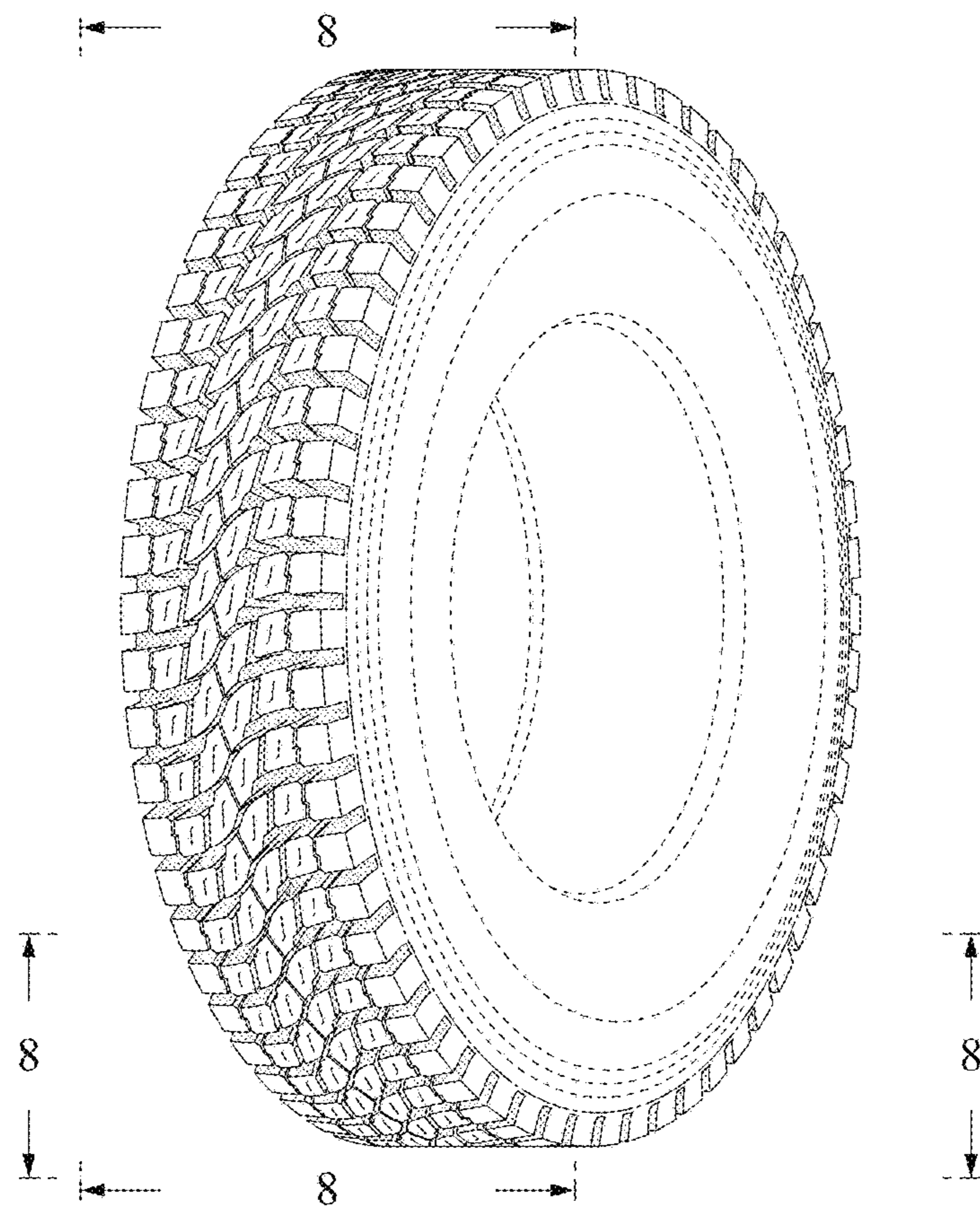


FIG. 2

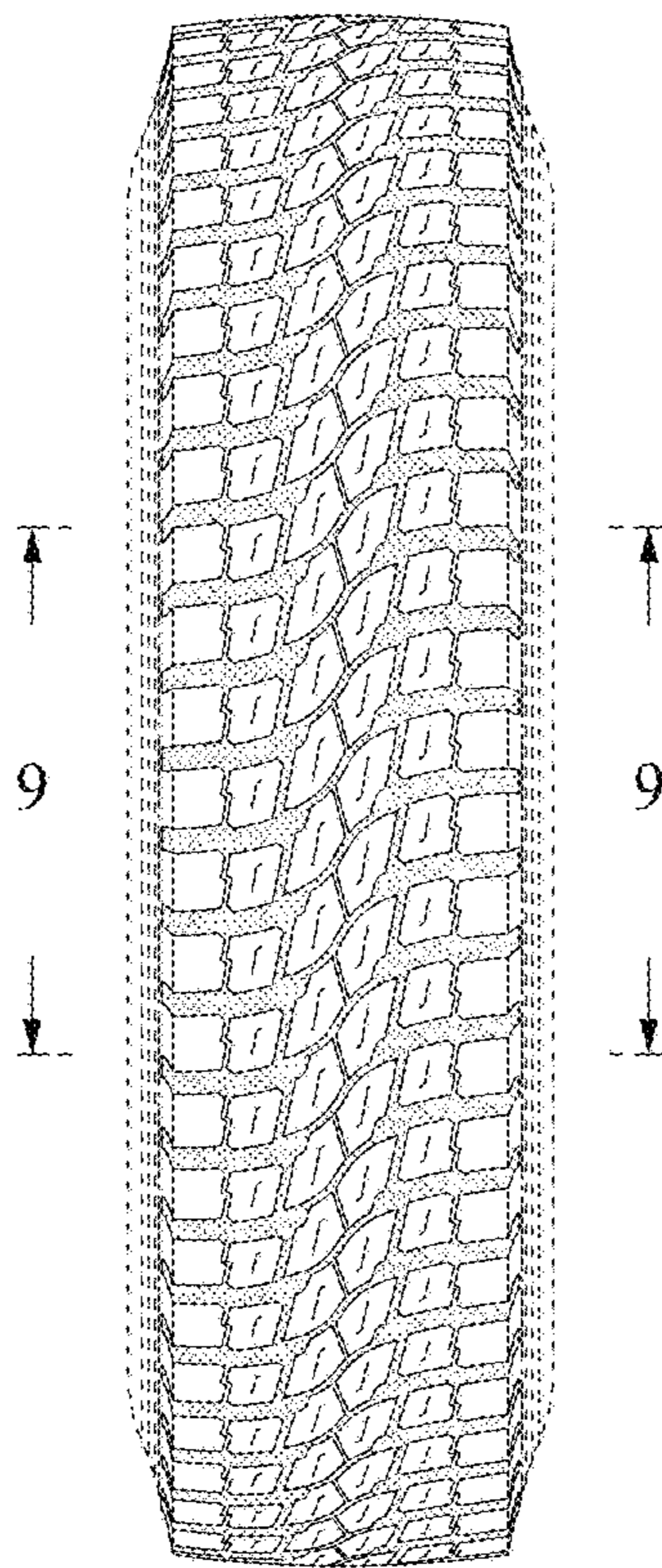


FIG. 3

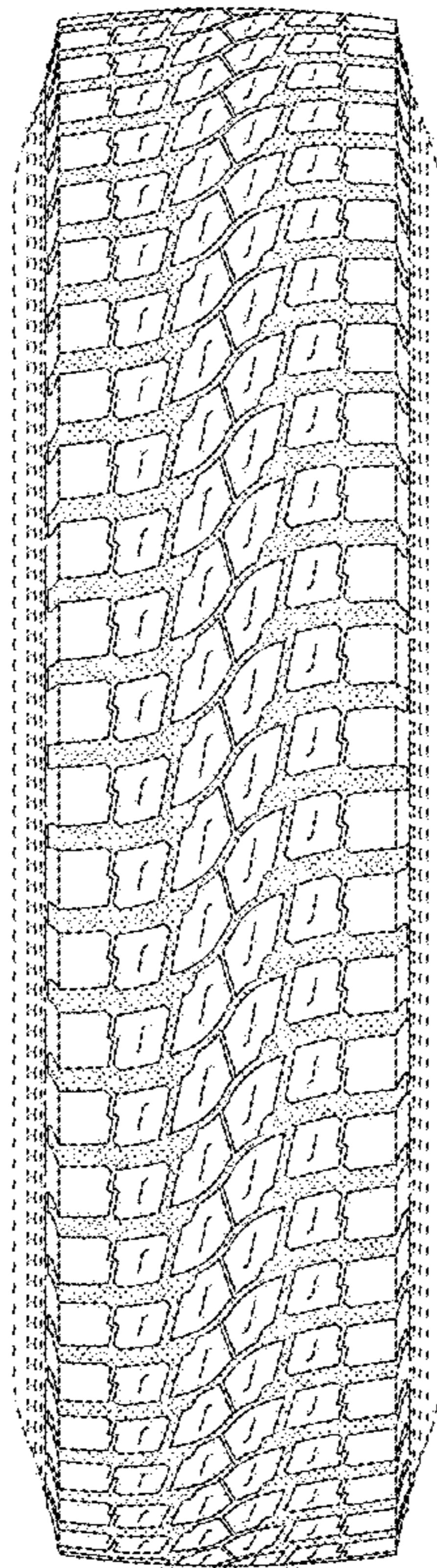


FIG. 4

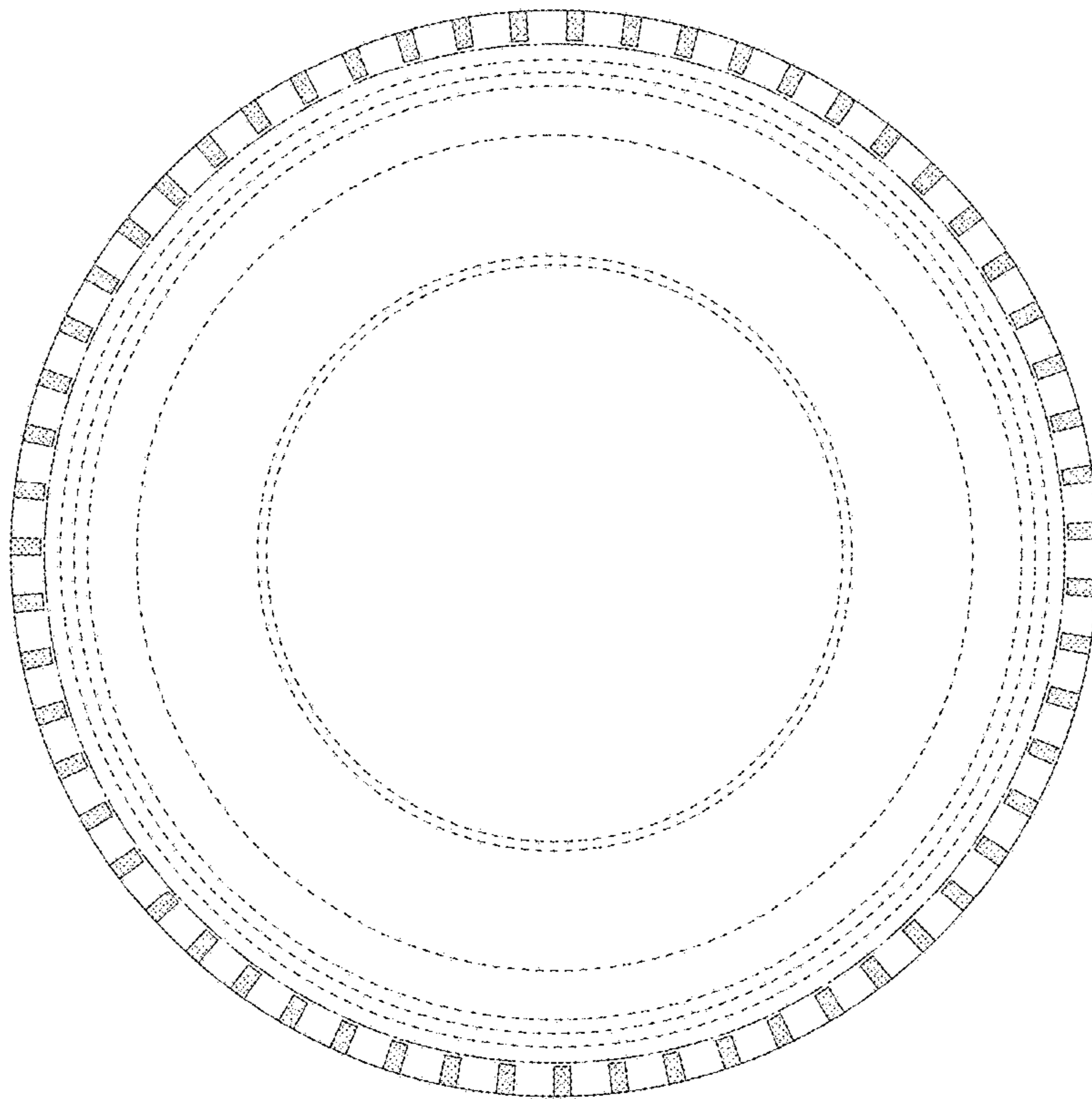


FIG. 5

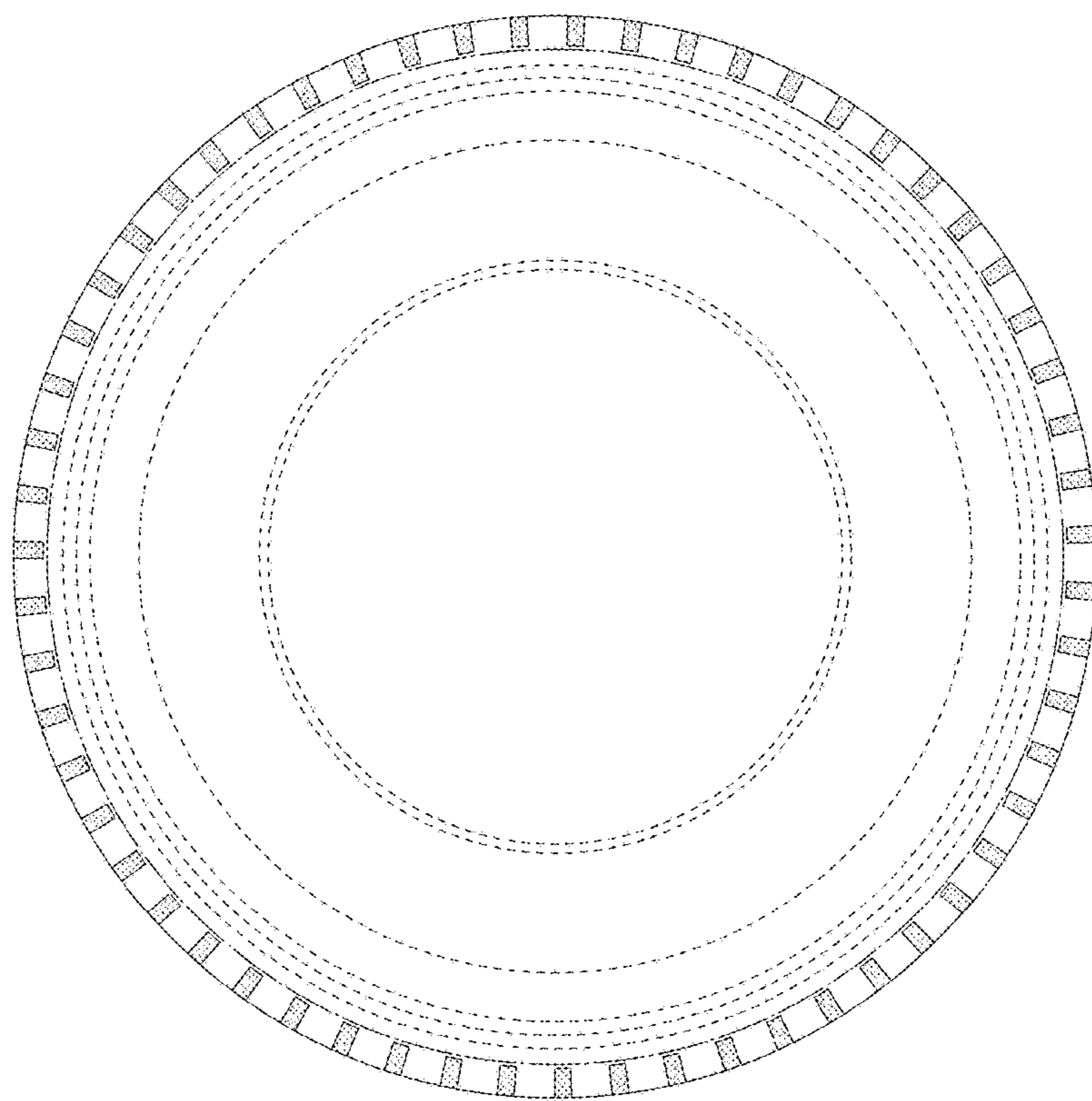


FIG. 6

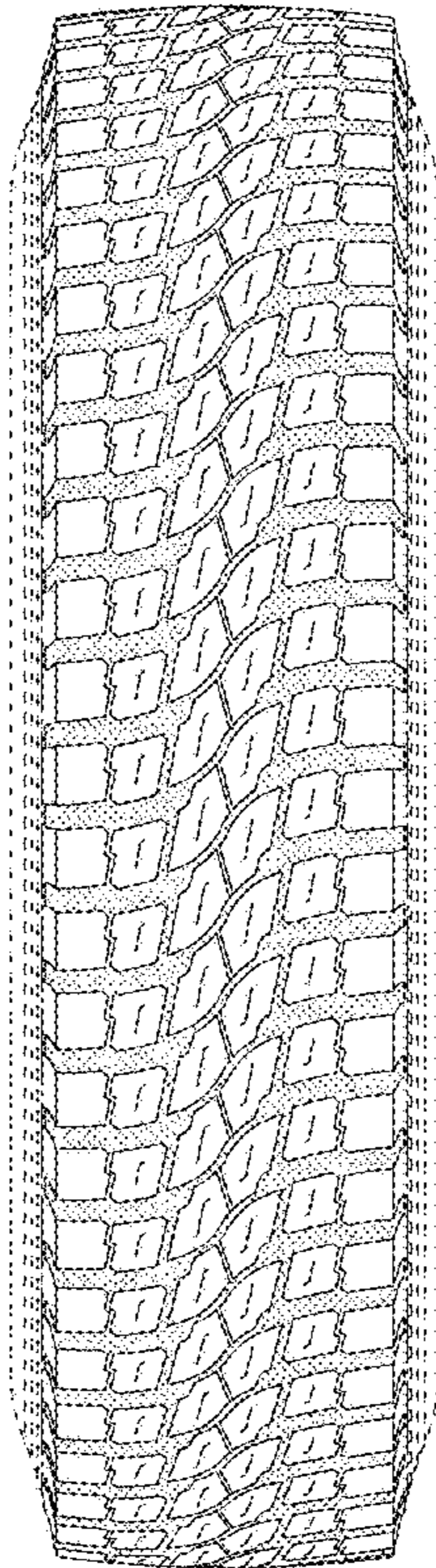


FIG. 7

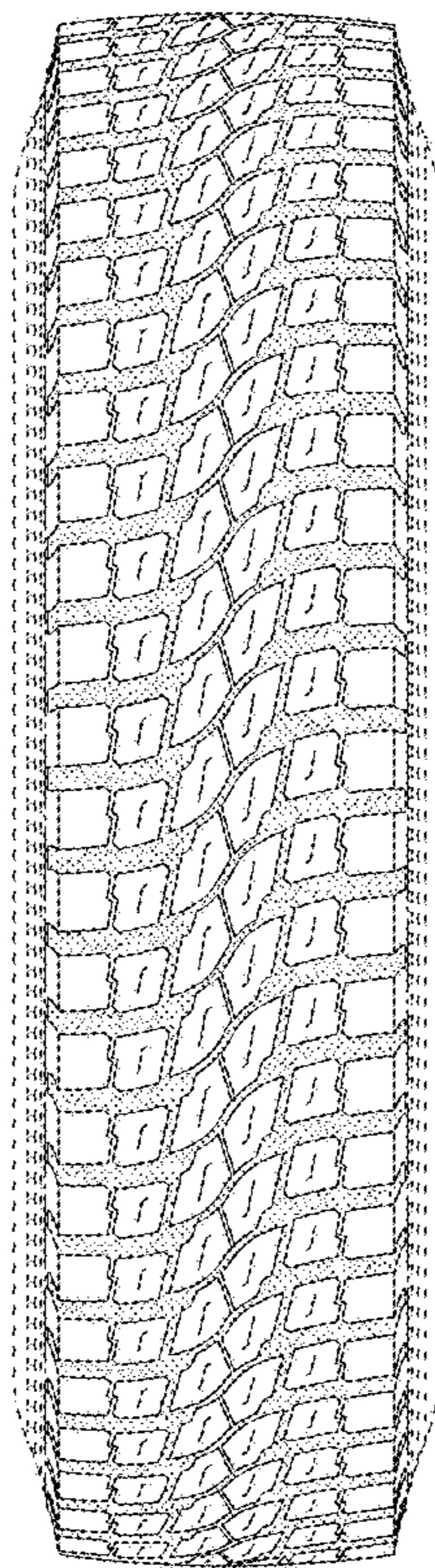


FIG. 8

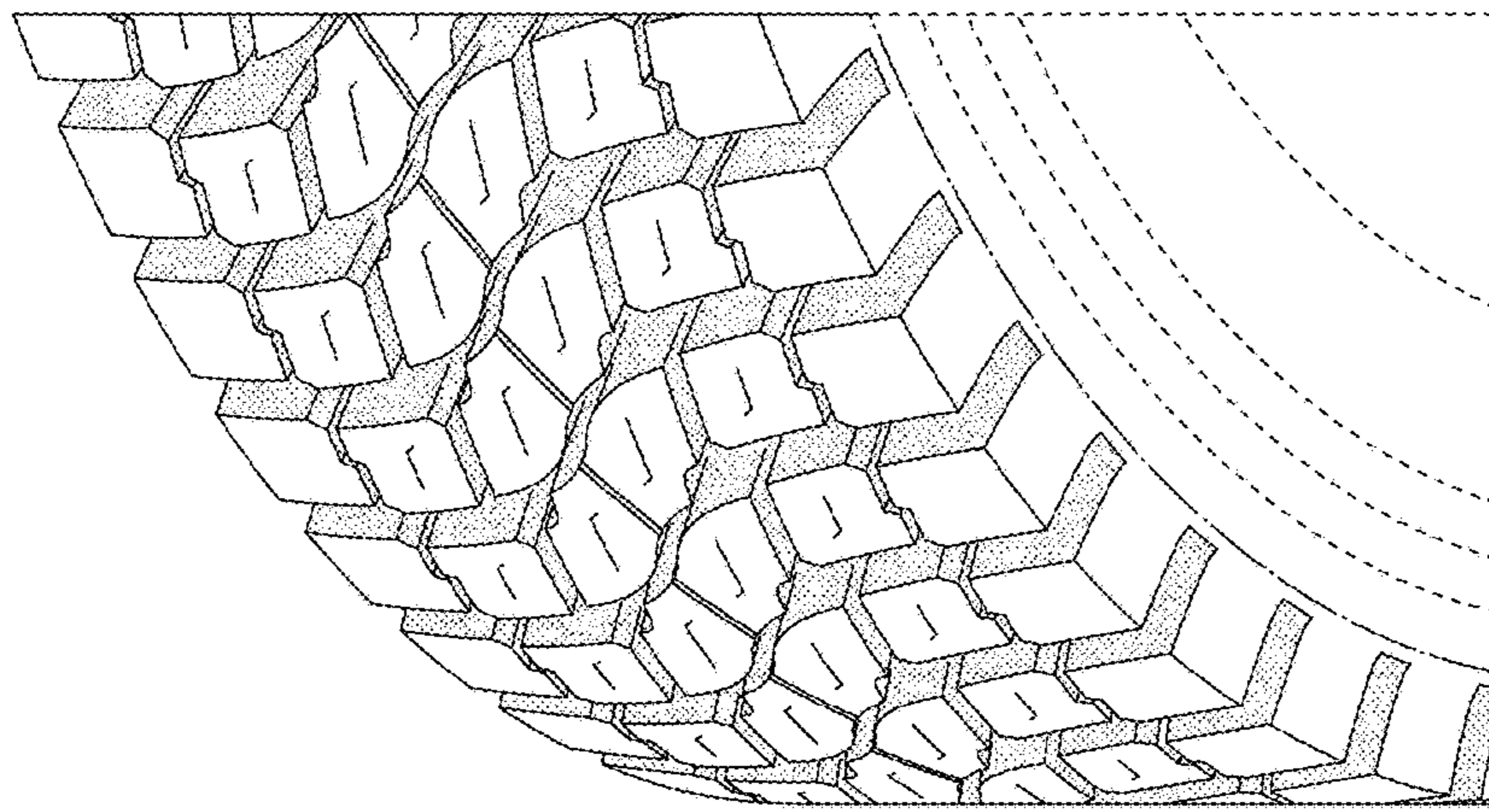


FIG. 9

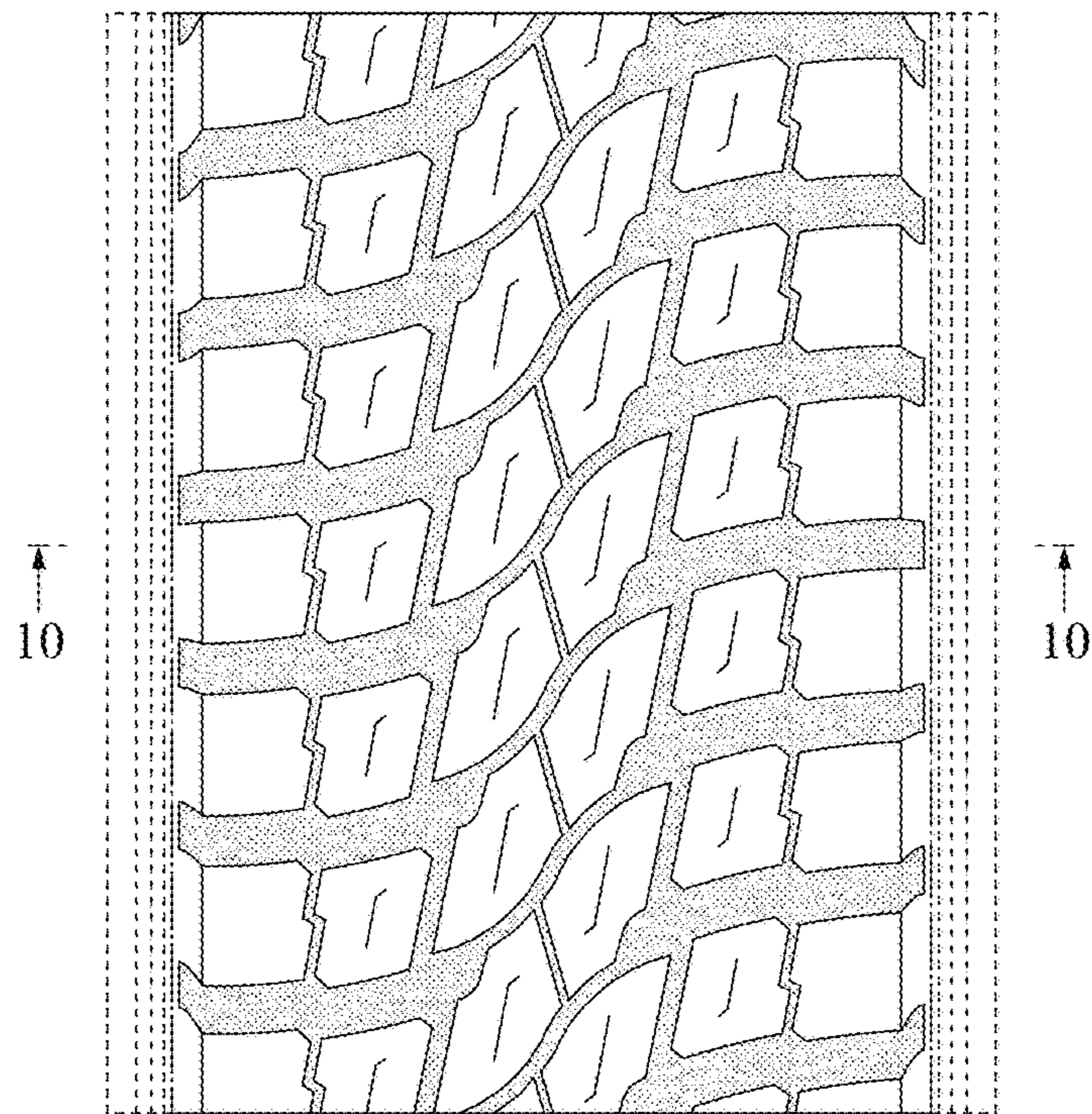


FIG. 10

