



US00D868680S

(12) **United States Design Patent**
Becker et al.

(10) **Patent No.:** **US D868,680 S**
(45) **Date of Patent:** **** Dec. 3, 2019**

- (54) **TIRE**
- (71) Applicant: **The Goodyear Tire & Rubber Company, Akron, OH (US)**
- (72) Inventors: **Marc Becker, Trier (DE); Pierre Vincent Ceronique Ghislain Philipin, Belgium (BE)**
- (73) Assignee: **The Goodyear Tire & Rubber Company, Akron, OH (US)**
- (**) Term: **15 Years**
- (21) Appl. No.: **29/635,120**
- (22) Filed: **Jan. 29, 2018**
- (51) **LOC (12) Cl.** **12-15**
- (52) **U.S. Cl.**
USPC **D12/588; D12/595**
- (58) **Field of Classification Search**
USPC **D12/588, 594, 595, 600, 601**
CPC **B60C 11/0306; B60C 11/04**
See application file for complete search history.

D617,262 S	*	6/2010	Tobino	D12/601
D635,915 S		4/2011	Hamada	D12/588
D647,040 S		10/2011	Mathonet et al.	D12/588
D674,740 S		1/2013	Mathonet et al.	D12/588
D728,462 S		5/2015	Mathonet et al.	D12/588

(Continued)

OTHER PUBLICATIONS

U.S. Appl. No. 29/593,758, filed Feb. 13, 2017.

Primary Examiner — Robert M. Spear

(74) *Attorney, Agent, or Firm* — Robert N. Lipsik

(57) **CLAIM**

The ornamental Design for a tire, as shown and described.

DESCRIPTION

FIG. 1 is a perspective view of a tire showing our new design, it being understood that the pattern repeats uniformly throughout the circumference of the tread;

FIG. 2 is a front elevational view thereof;

FIG. 3 is a right side elevational view thereof; the left side elevational view being identical thereto;

FIG. 4 is an enlarged fragmentary front elevational view thereof;

FIG. 5 is a perspective view of a second embodiment of a tire showing our new design, it being understood that the interior of the tire forms no part of the claim, that the pattern repeats uniformly throughout the circumference of the tread and that the opposite side view is identical thereto; and,

FIG. 6 is a front elevational view of a second embodiment, it being understood that an enlarged fragmentary view thereof would be substantially identical to that shown in FIG. 4, with the exception of the inclusion of the sidewall in the claim.

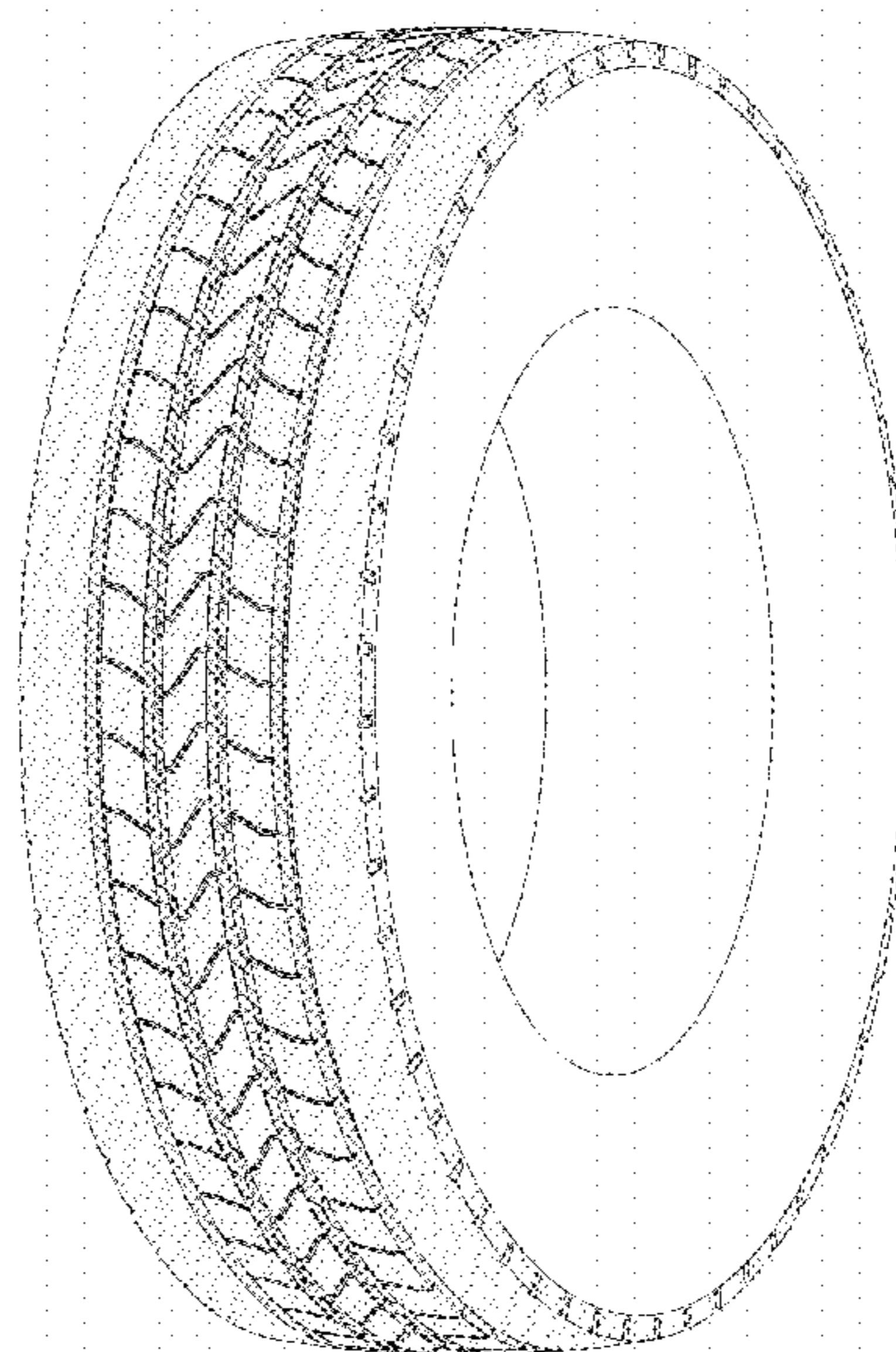
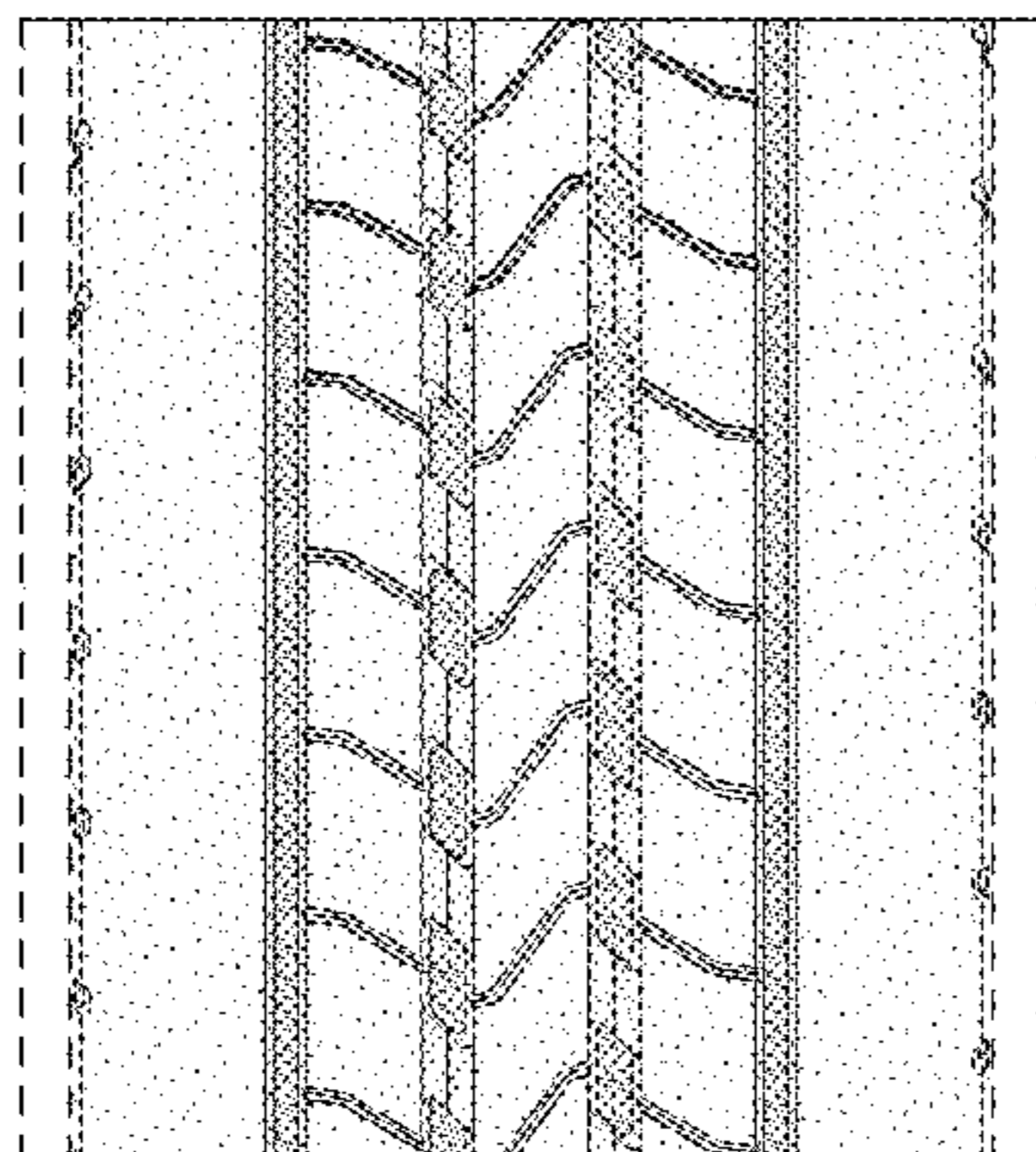
In the drawings, the broken lines immediately adjacent to the outer edges of the tire shoulder represent boundaries of the claim, and the broken lines depict environmental subject matter only and form no part of the claimed design.

(56) **References Cited**

U.S. PATENT DOCUMENTS

D370,439 S	6/1996	Feider et al.	D12/141
D388,370 S	12/1997	Young et al.	D12/146
D397,647 S	9/1998	Young	D12/146
D451,860 S	12/2001	Schuster et al.	D12/147
D452,199 S	* 12/2001	Robert	D12/594
D458,582 S	6/2002	Rodicq et al.	D12/586
D511,741 S	11/2005	Cazin-Bourguignon et al.	D12/601
D592,589 S	5/2009	Dixon et al.	D12/600
D598,370 S	8/2009	Beha	D12/602
D604,230 S	11/2009	Brown et al.	D12/588
D605,108 S	12/2009	Brown et al.	D12/588
D609,169 S	2/2010	Feider	D12/588
D609,175 S	2/2010	Feider et al.	D12/600

1 Claim, 6 Drawing Sheets



(56)

References Cited

U.S. PATENT DOCUMENTS

D730,270 S	5/2015	Krier et al.	D12/584
D730,273 S *	5/2015	Schimmoeller	D12/601
D737,756 S	9/2015	Mathonet et al.	D12/601
D738,813 S	9/2015	Wang	D12/584
D742,810 S	11/2015	Tian	D12/589
D758,293 S	6/2016	Kitajima	D12/588
D763,784 S	8/2016	Mathonet et al.	D12/603
D764,397 S	8/2016	Dixon et al.	D12/601
D770,371 S	11/2016	Mathonet et al.	D12/601
D786,785 S *	5/2017	Mathonet	D12/595
D787,434 S *	5/2017	Oji	D12/595
D788,693 S *	6/2017	Westaway	D12/600
D789,277 S	6/2017	Dixon et al.	D12/581
D845,225 S *	4/2019	Kochanek	D12/600
D850,360 S *	6/2019	Davenport	D12/600

* cited by examiner

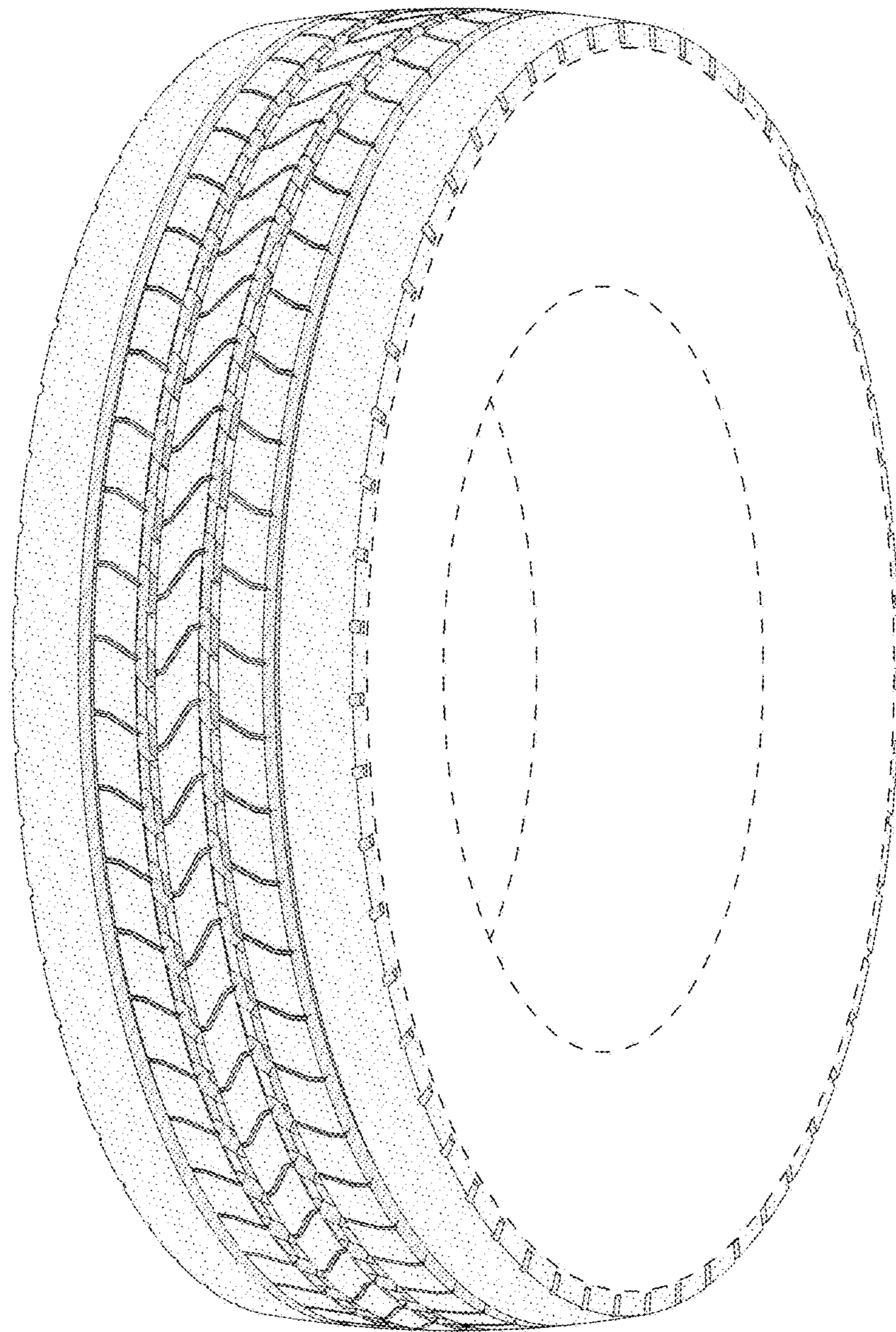


FIG - 1

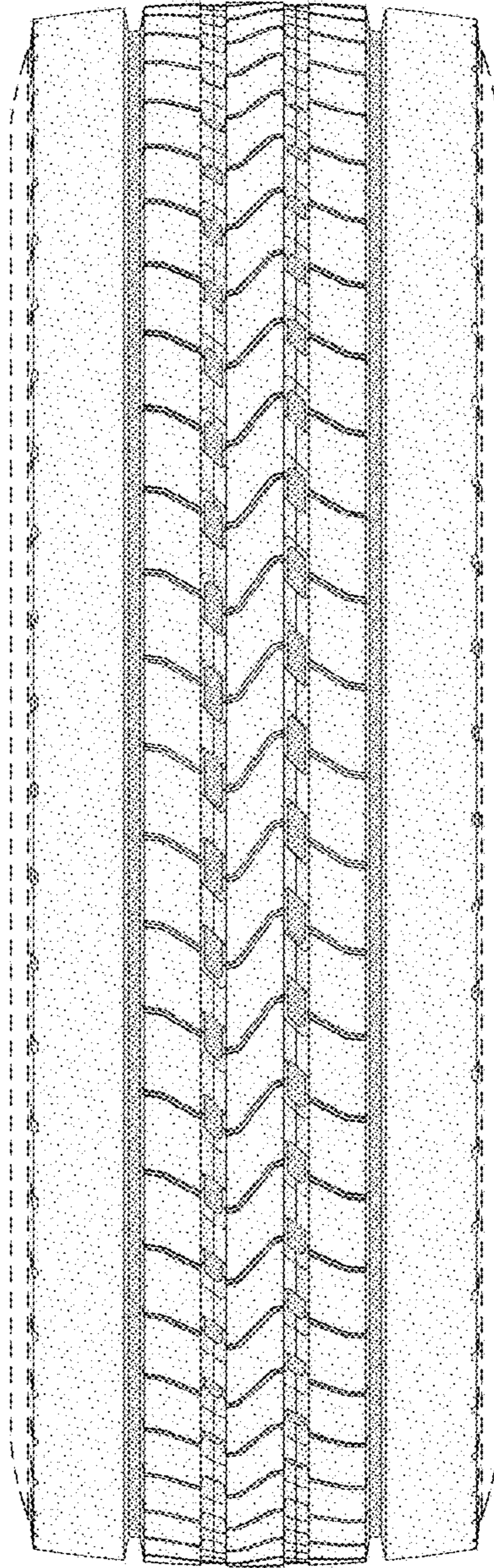


FIG - 2

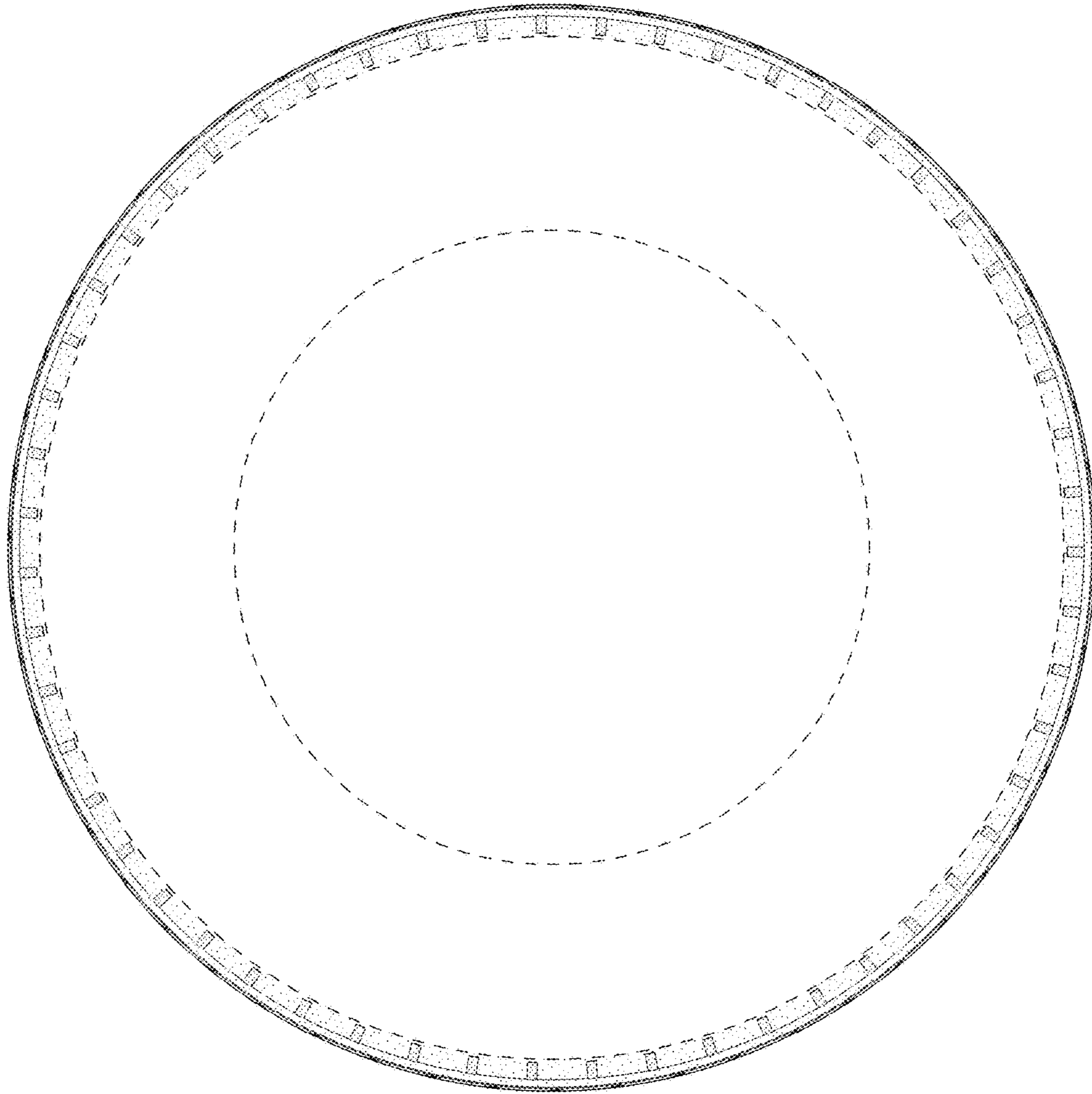


FIG - 3

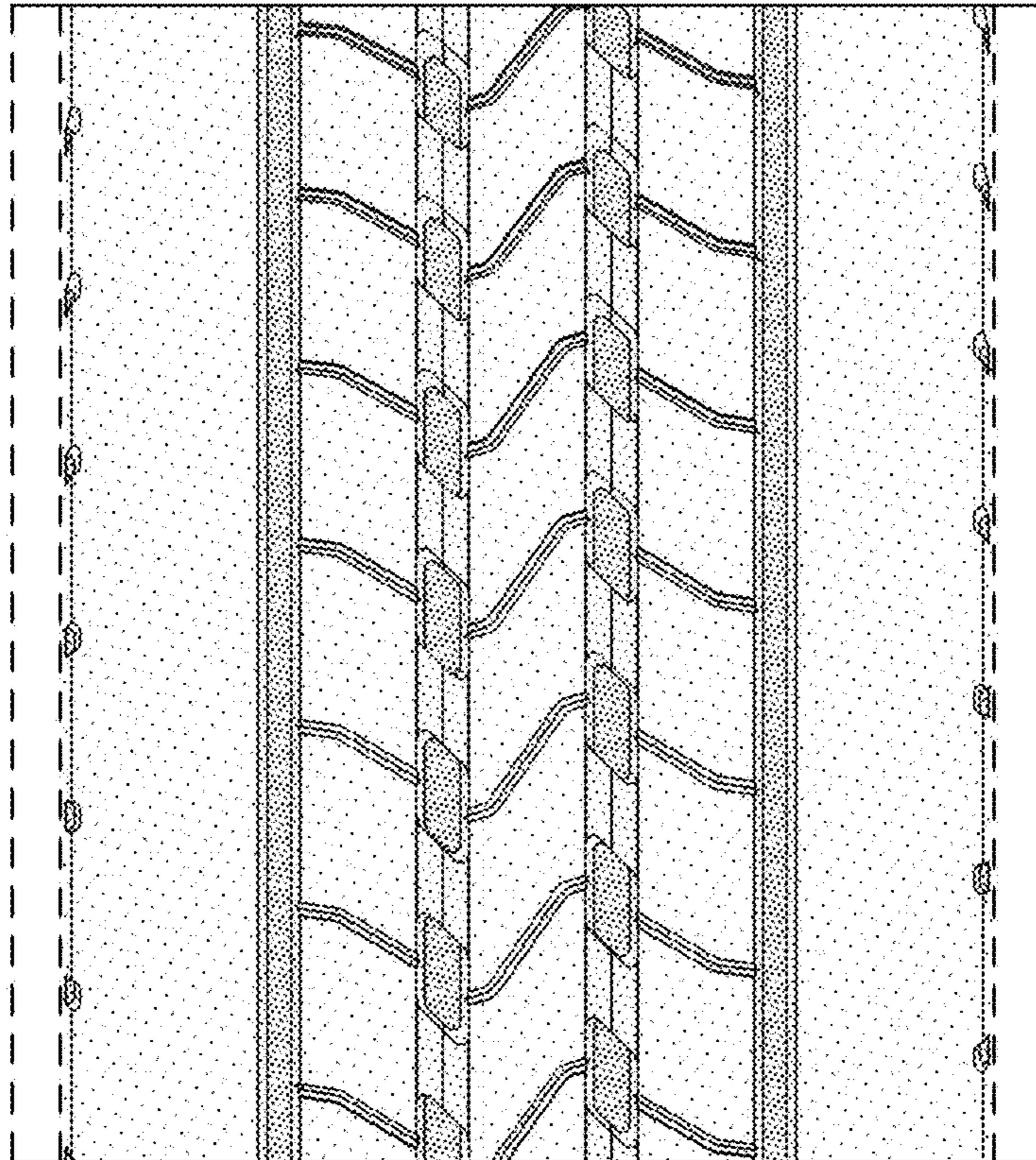


FIG - 4

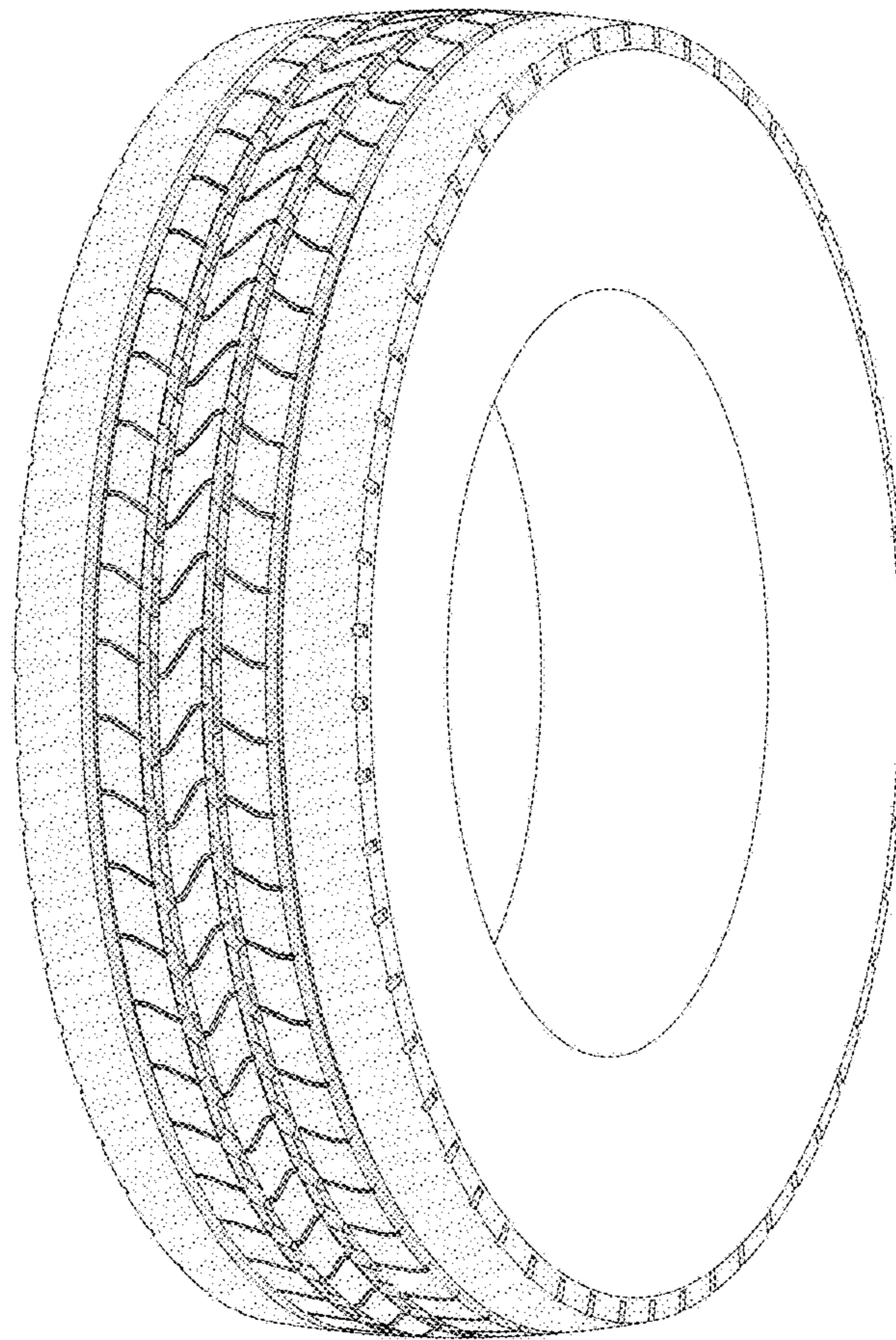


FIG - 5

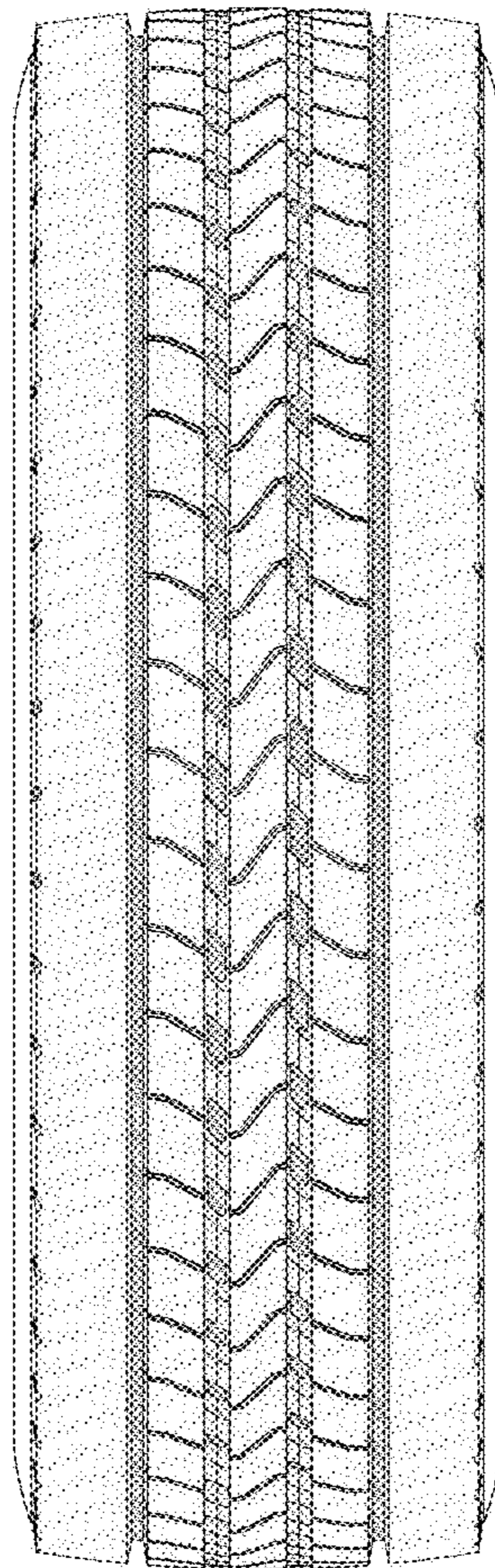


FIG - 6