



US00D868678S

(12) **United States Design Patent** (10) **Patent No.:** **US D868,678 S**  
**Geelen et al.** (45) **Date of Patent:** **\*\* Dec. 3, 2019**

(54) **TIRE** D379,448 S 5/1997 Graas et al. .... D12/147  
D379,449 S 5/1997 Graas et al. .... D12/151  
D379,787 S 6/1997 Maxwell et al. .... D12/147

(71) Applicant: **The Goodyear Tire & Rubber Company, Akron, OH (US)**

(Continued)

(72) Inventors: **Stephane Jose Geelen**, Redange sur Attert (LU); **Pascale de Briey-Terlinden**, Attert (BE); **Jerome Marcel Germain Delu**, Bridel (LU); **Sven Schaefer-O'Reilly**, Bissen (LU); **Camille Etienne**, Arlon (BE); **Ananth Bhagavathapuram Srisailapathy**, Ettelbruck (LU); **Tony Raymond Gery Deroo**, Bertrange (FR); **Marc Villa-Montero**, Luxembourg (LU)

**OTHER PUBLICATIONS**

U.S. Appl. No. 29/627,751, filed Nov. 29, 2017, Goodyear.  
(Continued)

*Primary Examiner* — George D. Kirschbaum  
*Assistant Examiner* — Joseph J Kukella  
(74) *Attorney, Agent, or Firm* — Robert N. Lipsik

(57) **CLAIM**

The ornamental Design for a tire, as shown and described.

**DESCRIPTION**

(73) Assignee: **The Goodyear Tire & Rubber Company, Akron, OH (US)**

(\*\*) Term: **15 Years**

(21) Appl. No.: **29/668,178**

(22) Filed: **Oct. 29, 2018**

(51) **LOC (12) Cl.** ..... **12-15**

(52) **U.S. Cl.**  
USPC ..... **D12/564**

(58) **Field of Classification Search**  
USPC ..... D12/505–567  
CPC ..... B60C 11/0302; B60C 2011/0358; B60C 2011/0374; B60C 2011/0386; B60C 2011/0388

See application file for complete search history.

(56) **References Cited**

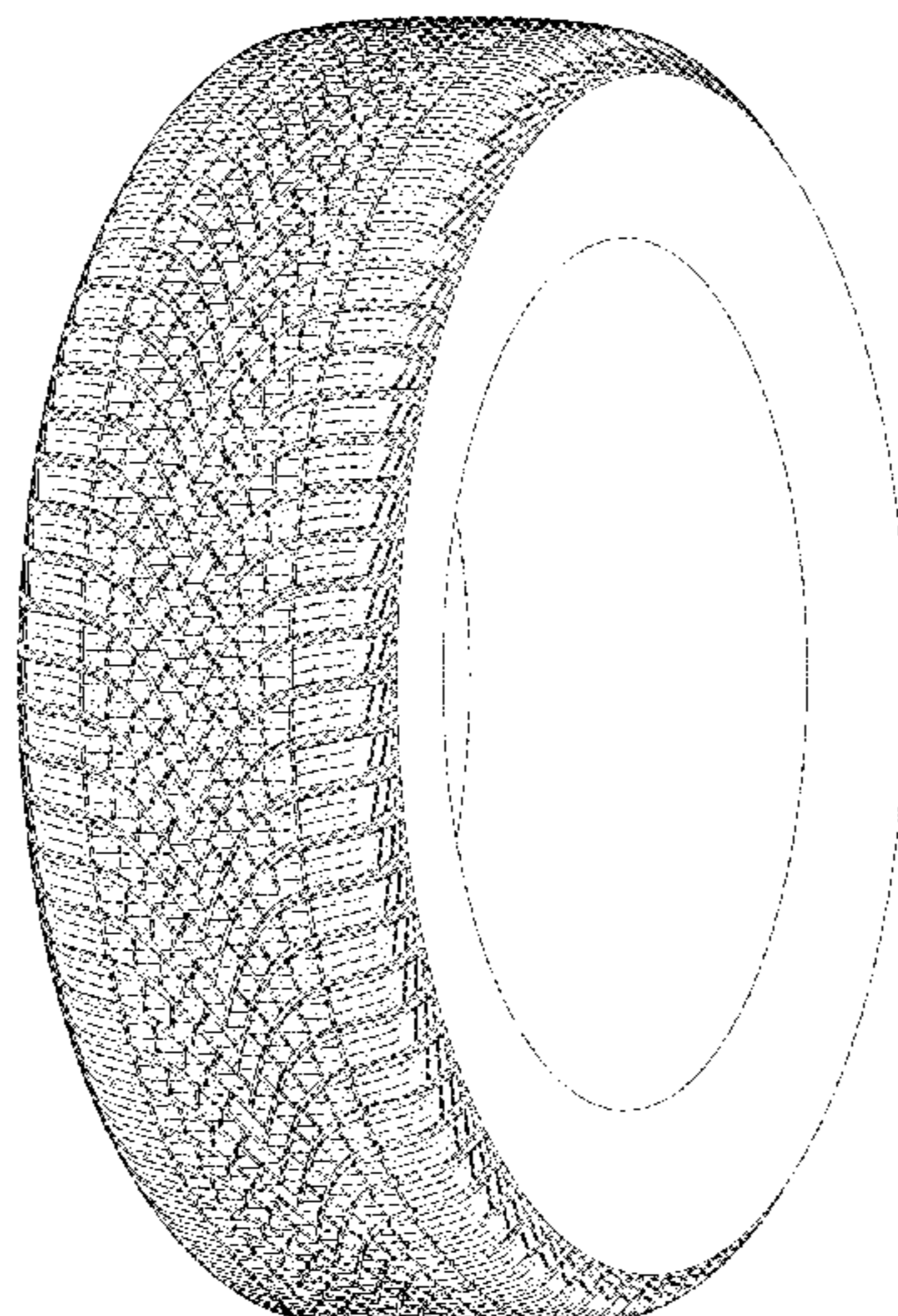
**U.S. PATENT DOCUMENTS**

D355,876 S \* 2/1995 Diensthuber ..... D12/563  
D361,966 S 9/1995 Graas et al. .... D12/146  
D362,420 S 9/1995 Heinen et al. .... D12/147

FIG. 1 is a perspective view of a tire showing our new design, it being understood that the pattern repeats uniformly throughout the circumference of the tread;  
FIG. 2 is a front elevational view thereof;  
FIG. 3 is a right side elevational view thereof; the left side elevational view being a mirror image thereof;  
FIG. 4 is an enlarged fragmentary front elevational view thereof;  
FIG. 5 is a perspective view of a second embodiment of a tire showing our new design, it being understood that the interior of the tire forms no part of the claim, that the pattern repeats uniformly throughout the circumference of the tread and that the opposite side view is a mirror image thereof; and,  
FIG. 6 is a front elevational view of a second embodiment, it being understood that an enlarged fragmentary view thereof would be substantially identical to that shown in FIG. 4, with the exception of the inclusion of the sidewall in the claim.

In the drawings, the broken lines immediately adjacent to the outer edges of the tire shoulder represent boundaries of the claim, and the broken lines depict environmental subject matter only and form no part of the claimed design.

**1 Claim, 6 Drawing Sheets**



(56)

References Cited

U.S. PATENT DOCUMENTS

D387,714 S 12/1997 Heinen ..... D12/147  
 D429,194 S 8/2000 Heinen et al. .... D12/147  
 D429,478 S 8/2000 Heinen et al. .... D12/147  
 D431,800 S 10/2000 Heinen et al. .... D12/147  
 D441,328 S 5/2001 Heinen et al. .... D12/146  
 D441,695 S 5/2001 Heinen et al. .... D12/147  
 D450,032 S 11/2001 Heinen ..... D12/550  
 D451,068 S 11/2001 Heinen et al. .... D12/547  
 D452,198 S 12/2001 Heinen et al. .... D12/146  
 D455,116 S 4/2002 Graas et al. .... D12/553  
 D504,106 S 4/2005 de Briey-Terlinden et al. ....  
 D12/549  
 D504,387 S 4/2005 Welbes et al. .... D12/549  
 D504,866 S 5/2005 Collette et al. .... D12/553  
 D505,112 S 5/2005 Heinen et al. .... D12/567  
 D533,131 S 12/2006 Fontaine et al. .... D12/588  
 D548,677 S 8/2007 Welbes et al. .... D12/553  
 D548,678 S 8/2007 Welbes et al. .... D12/553  
 D548,679 S 8/2007 de Briey-Terlinden ..... D12/553  
 D556,670 S 12/2007 Fontaine et al. .... D12/553  
 D560,157 S 1/2008 Lo ..... D12/567  
 D575,726 S 8/2008 Fontaine et al. .... D12/564  
 D579,861 S 11/2008 Haas et al. .... D12/553  
 D579,864 S 11/2008 Haas et al. .... D12/566  
 D589,874 S 4/2009 Fontaine et al. .... D12/564  
 D591,221 S 4/2009 Fontaine et al. .... D12/563  
 D591,672 S 5/2009 de Briey-Terlinden et al. ....  
 D12/553  
 D592,588 S 5/2009 Heinen et al. .... D12/564  
 D595,639 S 7/2009 de Briey-Terlinden ..... D12/553  
 D595,640 S 7/2009 de Briey-Terlinden ..... D12/564  
 D596,109 S 7/2009 de Briey-Terlinden ..... D12/553  
 D597,475 S 8/2009 Heinen et al. .... D12/553  
 D597,476 S 8/2009 de Briey-Terlinden ..... D12/553  
 D597,929 S 8/2009 Diensthuber et al. .... D12/566  
 D600,195 S 9/2009 Fontaine et al. .... D12/564  
 D601,946 S 10/2009 Fontaine et al. .... D12/553  
 D606,007 S 12/2009 Fontaine et al. .... D12/564  
 D606,927 S 12/2009 Kang ..... D12/552  
 D610,963 S 3/2010 Ochi ..... D12/552  
 D610,964 S 3/2010 Dixon et al. .... D12/552  
 D622,657 S 8/2010 Leocadio et al. .... D12/553  
 D635,912 S 4/2011 Knispel ..... D12/564  
 D640,184 S 6/2011 de Briey-Terlinden ..... D12/553

D640,966 S 7/2011 Fontaine et al. .... D12/563  
 D641,305 S 7/2011 de Briey-Terlinden ..... D12/547  
 D662,453 S 6/2012 Takei ..... D12/552  
 D662,454 S 6/2012 Fontaine et al. .... D12/553  
 D669,416 S \* 10/2012 Cano ..... D12/552  
 D670,235 S 11/2012 de Briey-Terlinden ..... D12/567  
 D702,625 S 4/2014 Leconte et al. .... D12/564  
 D702,626 S 4/2014 de Briey-Terlinden ..... D12/567  
 D716,720 S \* 11/2014 Seng ..... D12/563  
 D718,224 S 11/2014 Guichon et al. .... D12/563  
 D720,685 S 1/2015 Fontaine et al. .... D12/565  
 D721,639 S 1/2015 Caron et al. .... D12/565  
 D722,554 S 2/2015 Knispel et al. .... D12/564  
 D722,555 S 2/2015 Knispel et al. .... D12/564  
 D723,453 S 3/2015 Knispel et al. .... D12/563  
 D733,639 S 7/2015 Fontaine et al. .... D12/563  
 D746,218 S 12/2015 Raatikainen et al. .... D12/545  
 D754,058 S 4/2016 Caron et al. .... D12/563  
 D756,896 S 5/2016 Leconte et al. .... D12/564  
 D766,813 S \* 9/2016 Wang ..... D12/545  
 D777,091 S 1/2017 de Briey-Terlinden et al. ....  
 D12/563  
 D777,092 S 1/2017 Leconte et al. .... D12/564  
 D778,230 S \* 2/2017 Haanketo ..... D12/564  
 D780,672 S 3/2017 Yoon ..... D12/563  
 D786,181 S 5/2017 Caron et al. .... D12/564  
 D795,167 S \* 8/2017 Houchard ..... D12/545  
 D797,653 S 9/2017 Raatikainen et al. .... D12/545  
 D810,668 S \* 2/2018 Cavro ..... D12/563  
 D811,990 S 3/2018 Raatikainen ..... D12/564  
 D812,548 S 3/2018 Raatikainen et al. .... D12/564  
 D816,591 S \* 5/2018 Kossi ..... D12/563  
 D819,551 S \* 6/2018 Uchida ..... D12/563  
 D830,287 S 10/2018 Proietti ..... D12/564  
 D832,194 S 10/2018 de Briey-Terlinden ..... D12/564  
 D832,195 S 10/2018 de Briey-Terlinden ..... D12/564  
 D845,881 S \* 4/2019 Kossi ..... D12/563  
 D853,941 S \* 7/2019 de Briey-Terlinden ..... D12/565

OTHER PUBLICATIONS

U.S. Appl. No. 29/627,762, filed Nov. 29, 2017, Goodyear.  
 U.S. Appl. No. 29/647,022, filed May 9, 2018, Goodyear.  
 U.S. Appl. No. 29/647,028, filed May 9, 2018, Goodyear.  
 U.S. Appl. No. 29/647,035, filed May 9, 2018, Goodyear.

\* cited by examiner



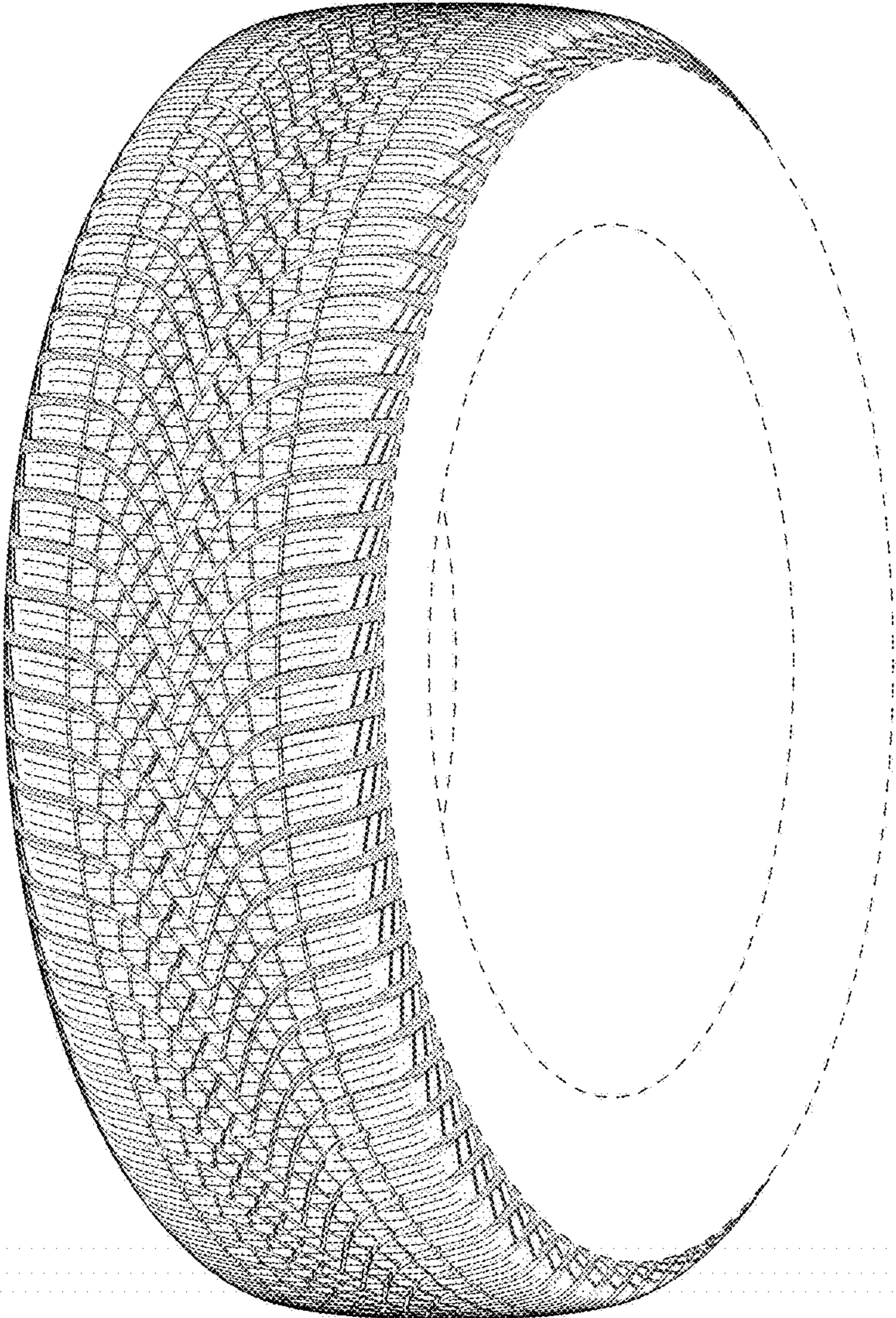


FIG - 1



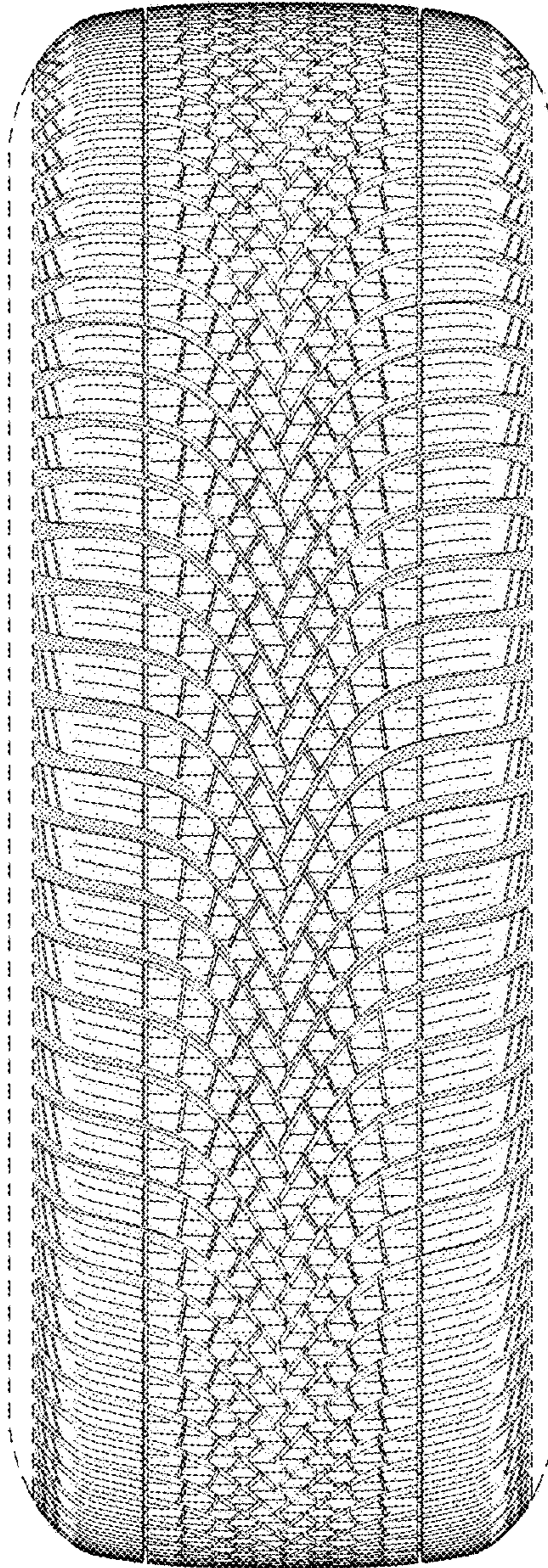


FIG - 2

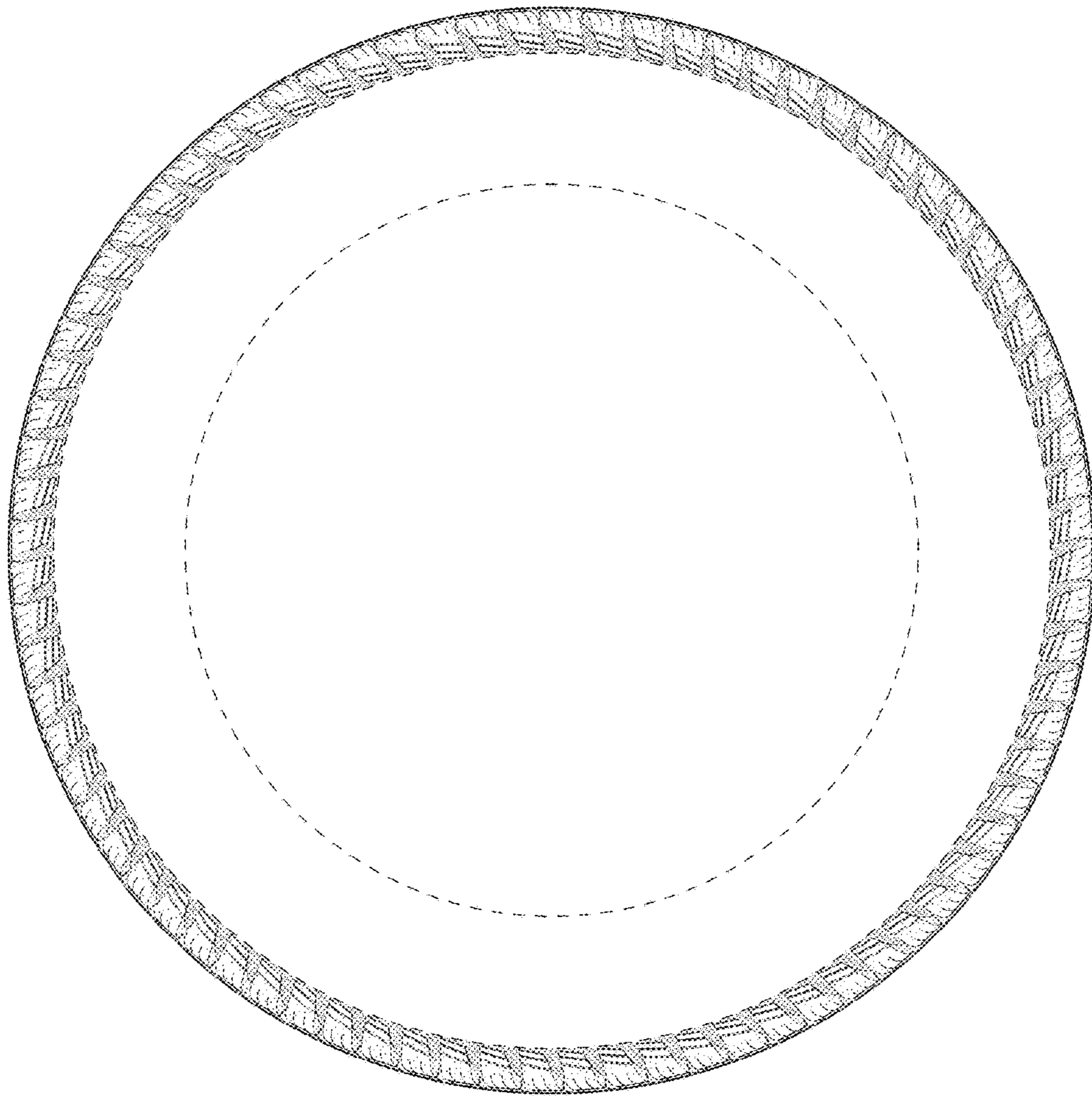


FIG - 3



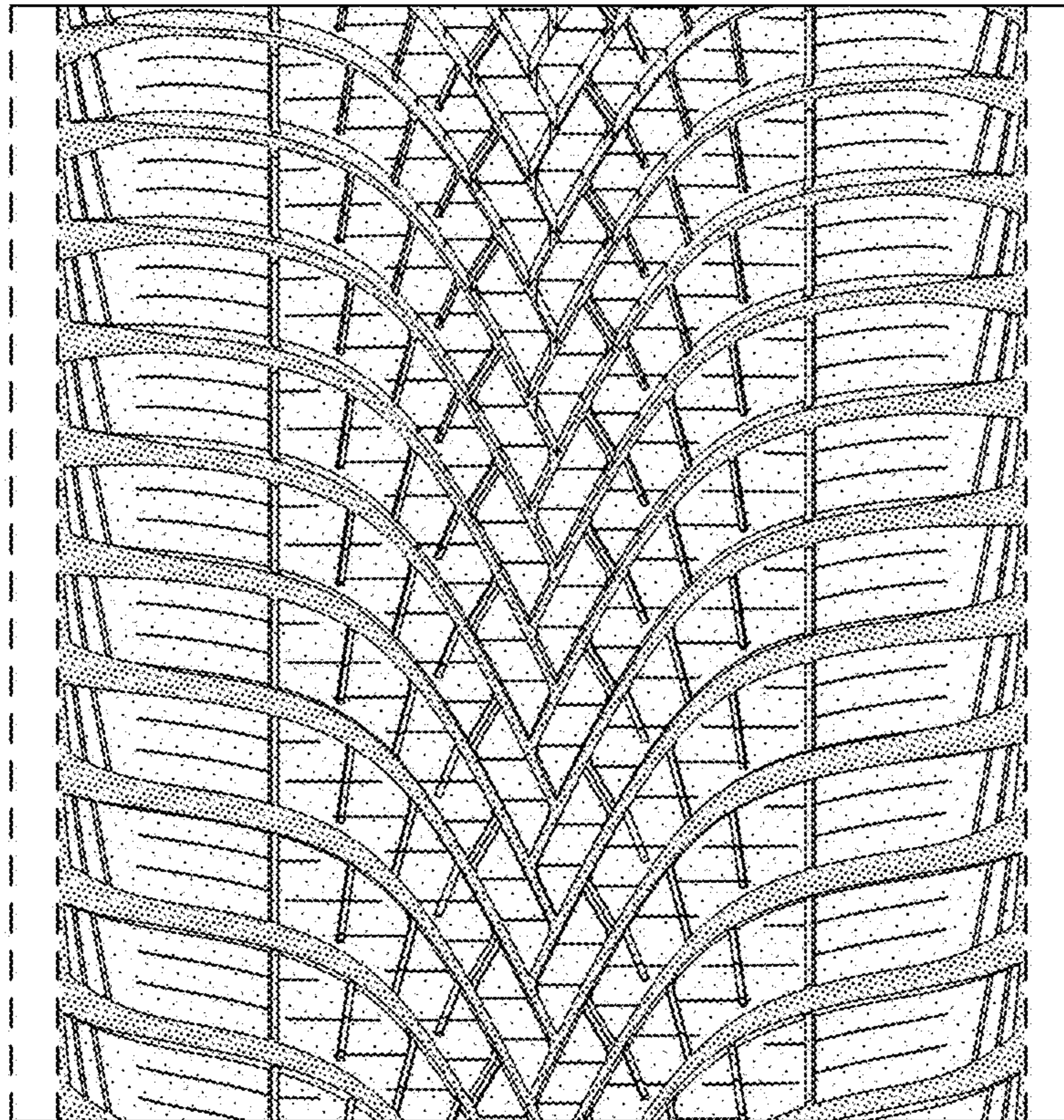


FIG - 4

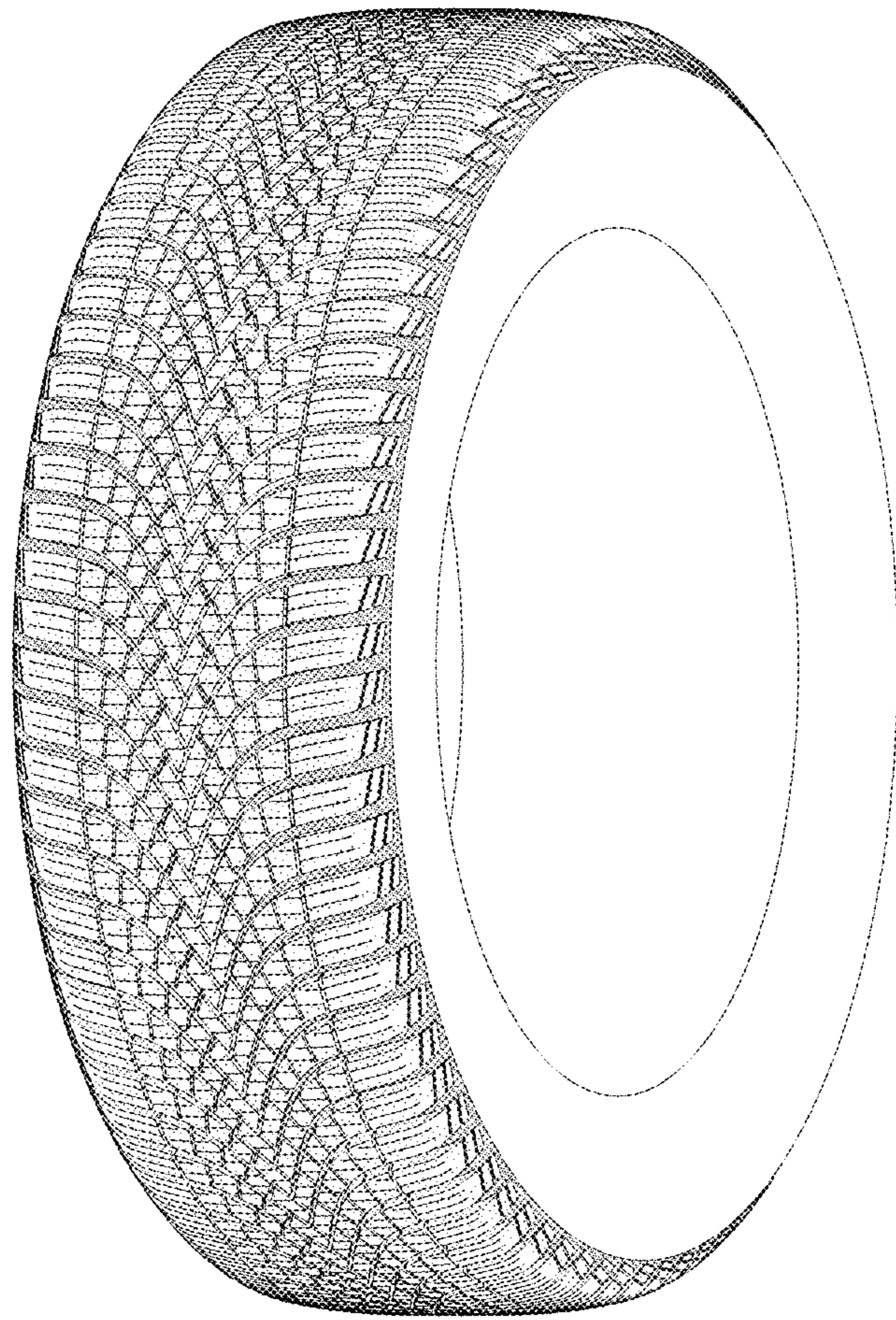


FIG - 5



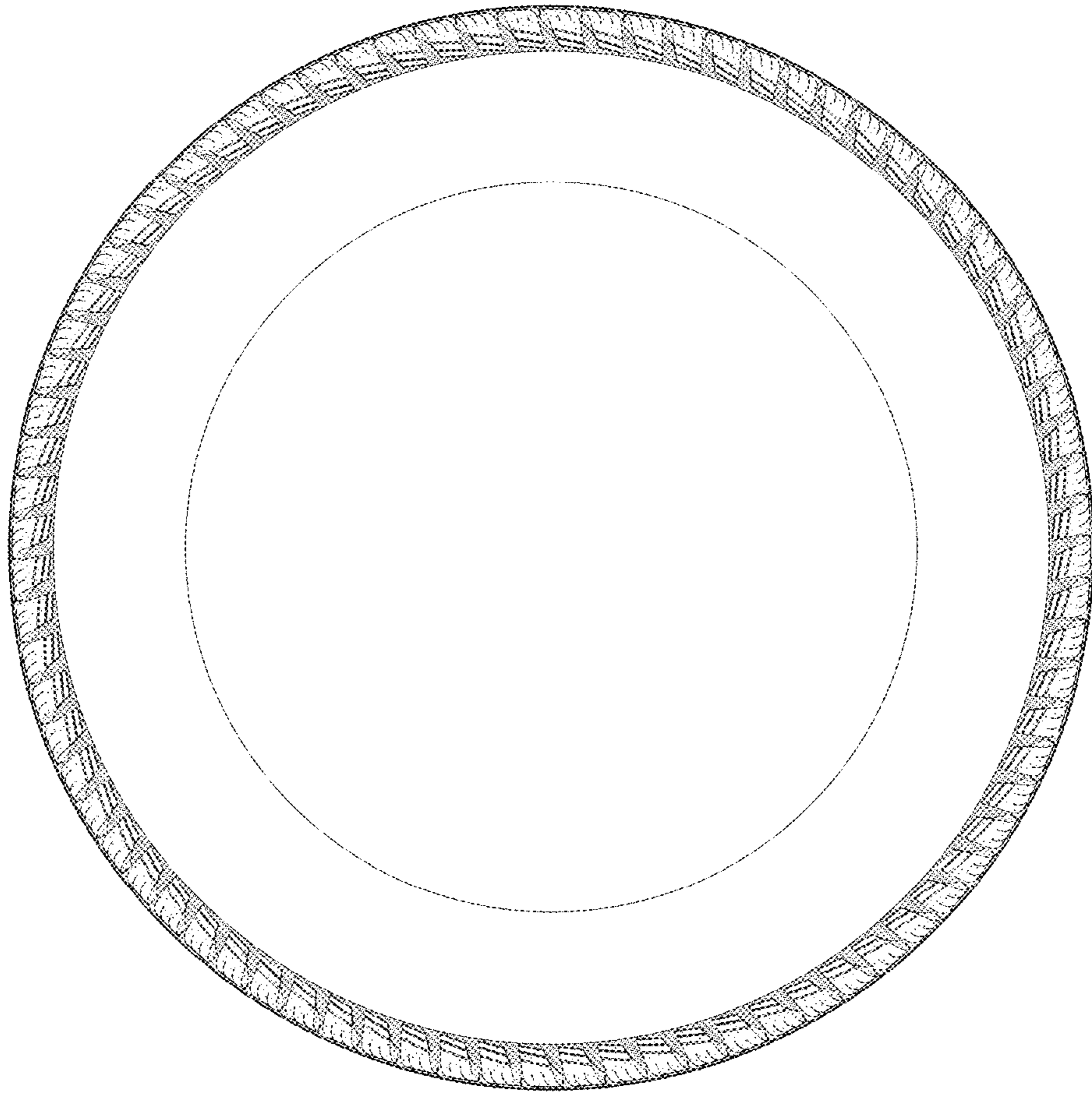


FIG - 6