



US00D868674S

(12) **United States Design Patent** (10) **Patent No.:** **US D868,674 S**
Lozier (45) **Date of Patent:** **** Dec. 3, 2019**

(54) **CUP HOLDER ASHTRAY**
(71) Applicant: **Justin Lozier**, Nashua, NH (US)
(72) Inventor: **Justin Lozier**, Nashua, NH (US)
(**) Term: **15 Years**

D654,010 S * 2/2012 Maks D12/419
8,113,213 B2 2/2012 Pemberton
8,276,749 B1 10/2012 Schrauwen et al.
D708,484 S * 7/2014 Bishop D7/608
D727,689 S * 4/2015 Wampold D7/606
2004/0237975 A1 12/2004 Steeves-Haith et al.
2008/0121243 A1 5/2008 Galoyan
2010/0065072 A1 3/2010 Ying Ching

(21) Appl. No.: **29/654,849**
(22) Filed: **Jun. 28, 2018**
(51) **LOC (12) Cl.** **12-16**
(52) **U.S. Cl.**
USPC **D12/419**
(58) **Field of Classification Search**
USPC D12/419, 416-418, 415, 420, 421;
D7/601-608, 622, 624.1, 624.2, 619.1;
220/902-903, 592.16, 592.2, 592.17,
220/737-741; 215/393-396; 211/74
CPC ... B60N 3/00; B60N 3/02; B60N 3/10; B60N
3/105; B60N 3/108; B60N 3/101; Y10S
224/926; A47G 23/0266; A47G 23/02;
A47G 23/0208; A47G 23/0216; A47G
23/0225; B60R 7/04; F25D 2331/809
See application file for complete search history.

FOREIGN PATENT DOCUMENTS

DE 203 10 299 10/2003
FR 3 037 775 12/2016
WO 2010092441 8/2010

* cited by examiner

Primary Examiner — Abraham Bahta
(74) *Attorney, Agent, or Firm* — Lambert Shortell & Connaughton; Gary E. Lambert; David J. Connaughton, Jr.

(57) **CLAIM**

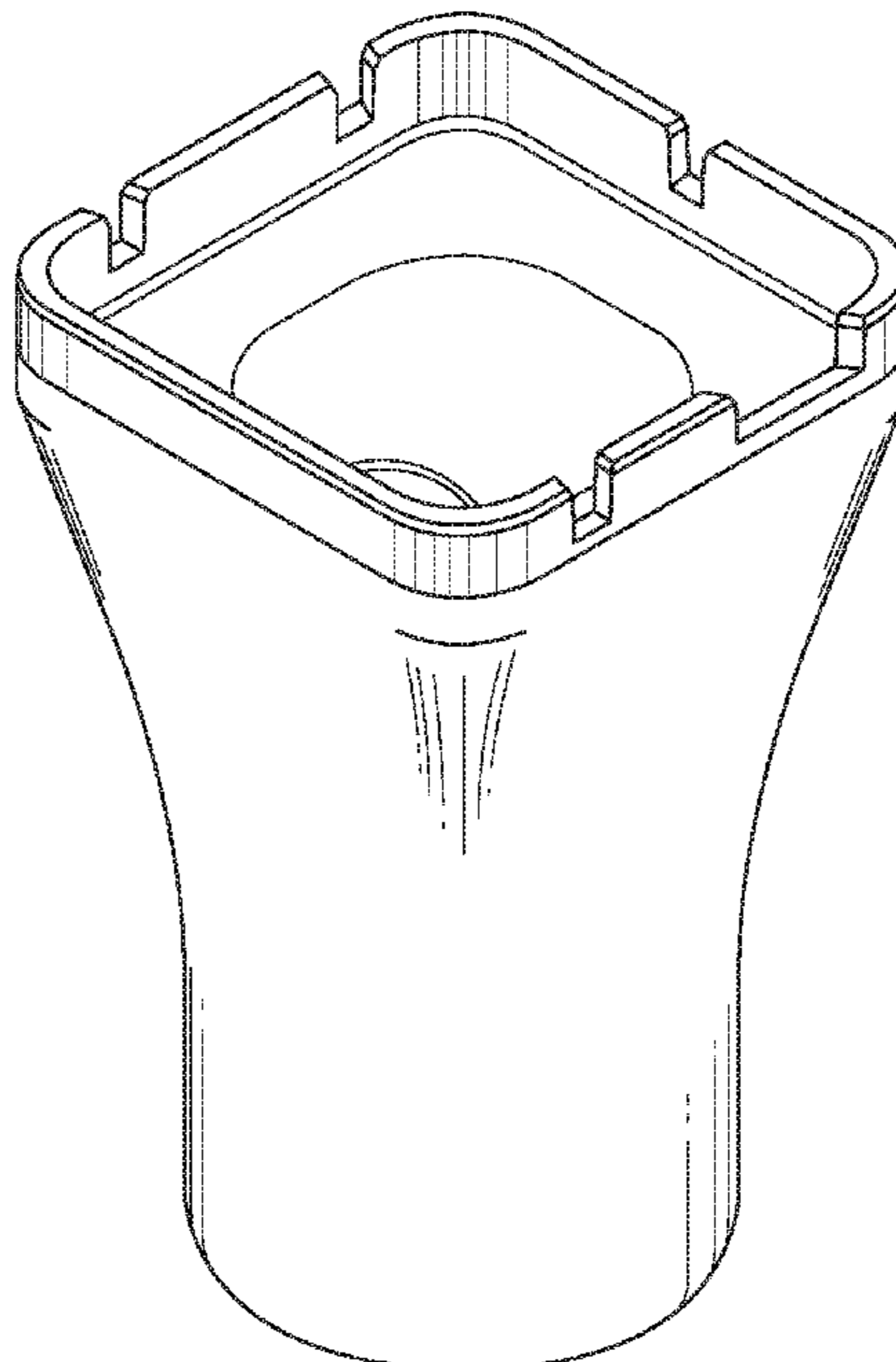
The ornamental design for a cup holder ashtray, as shown and described.

DESCRIPTION

FIG. 1 is an isometric view of the cup holder ashtray, which embodies my design;
FIG. 2 is a perspective view of the cup holder ashtray showing my new design;
FIG. 3 is a bottom plan view thereof;
FIG. 4 is a side view thereof;
FIG. 5 is another side view thereof;
FIG. 6 is yet another side view thereof; and,
FIG. 7 is also yet another side view thereof.

1 Claim, 4 Drawing Sheets

(56) **References Cited**
U.S. PATENT DOCUMENTS
2,796,067 A 6/1957 McCutcheon et al.
3,349,778 A 10/1967 Jablonski
4,236,539 A 12/1980 Mosby, Jr.
4,587,980 A 5/1986 Tipper
D369,526 S * 5/1996 Colton D7/620
5,673,709 A 10/1997 Brothers
6,814,081 B2 11/2004 Hasler
D510,118 S * 9/2005 Smith D21/834
6,990,983 B1 1/2006 Lyman, Jr.
7,380,553 B2 6/2008 Keller



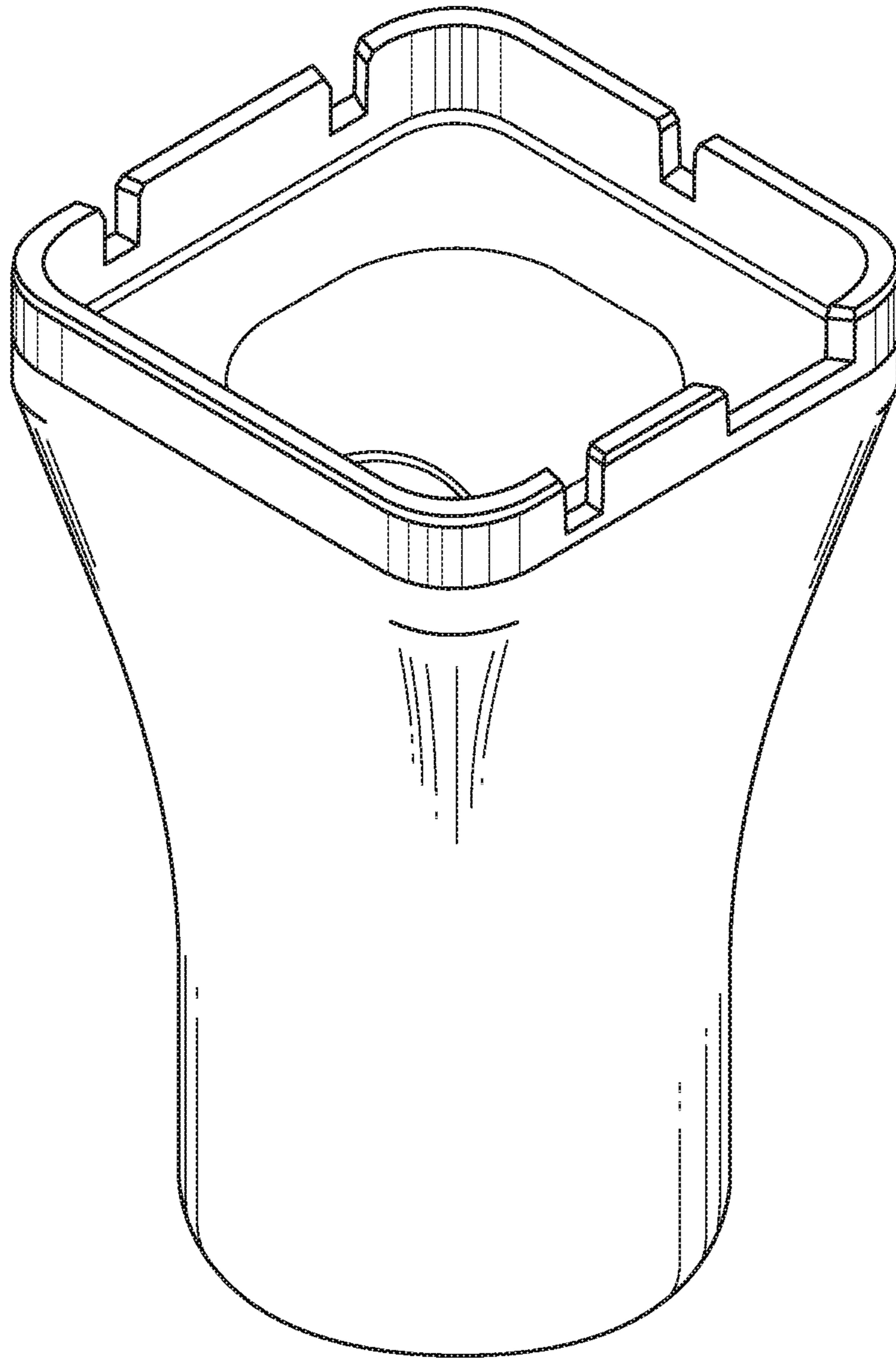


Fig. 1

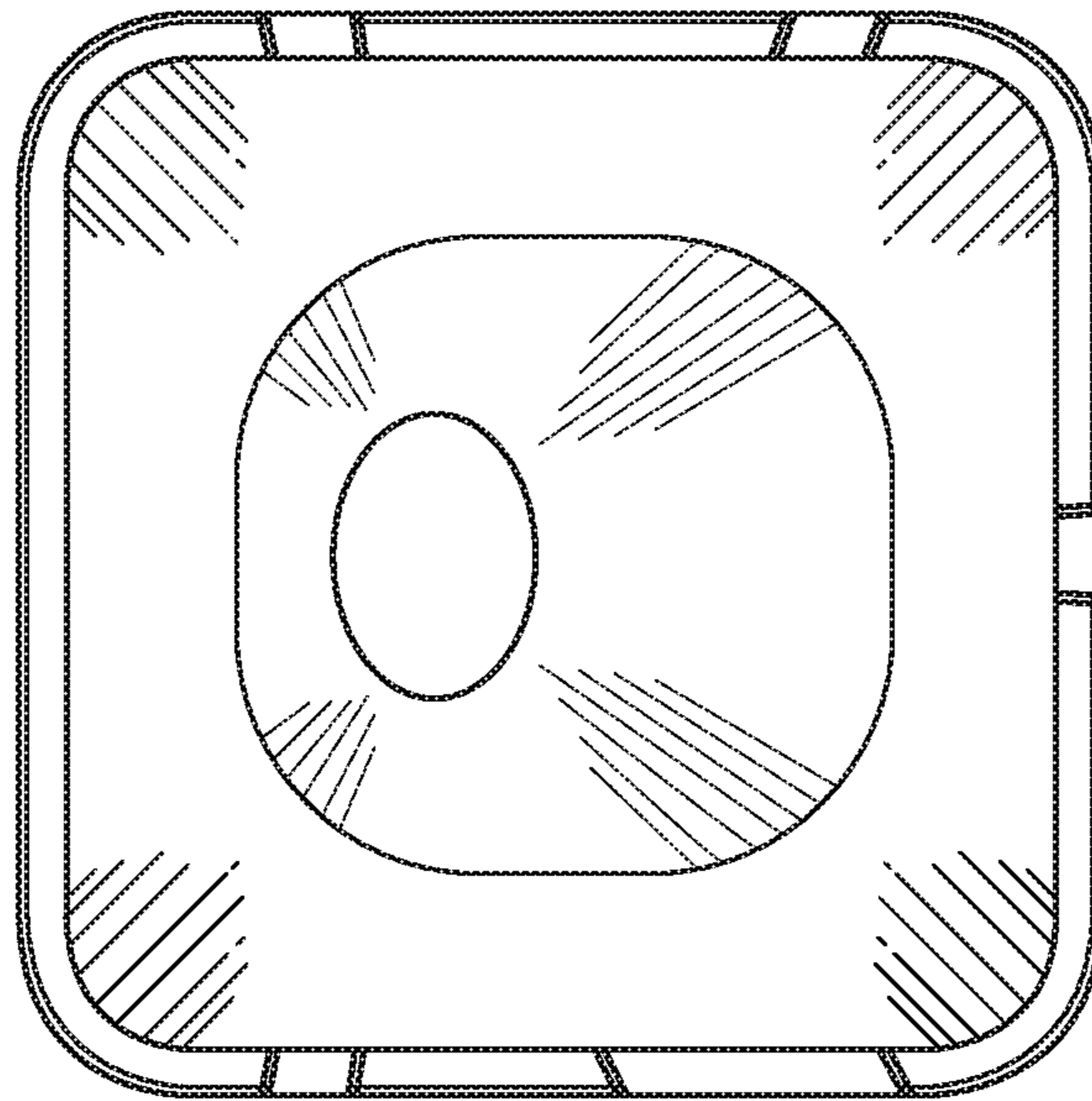


Fig. 2

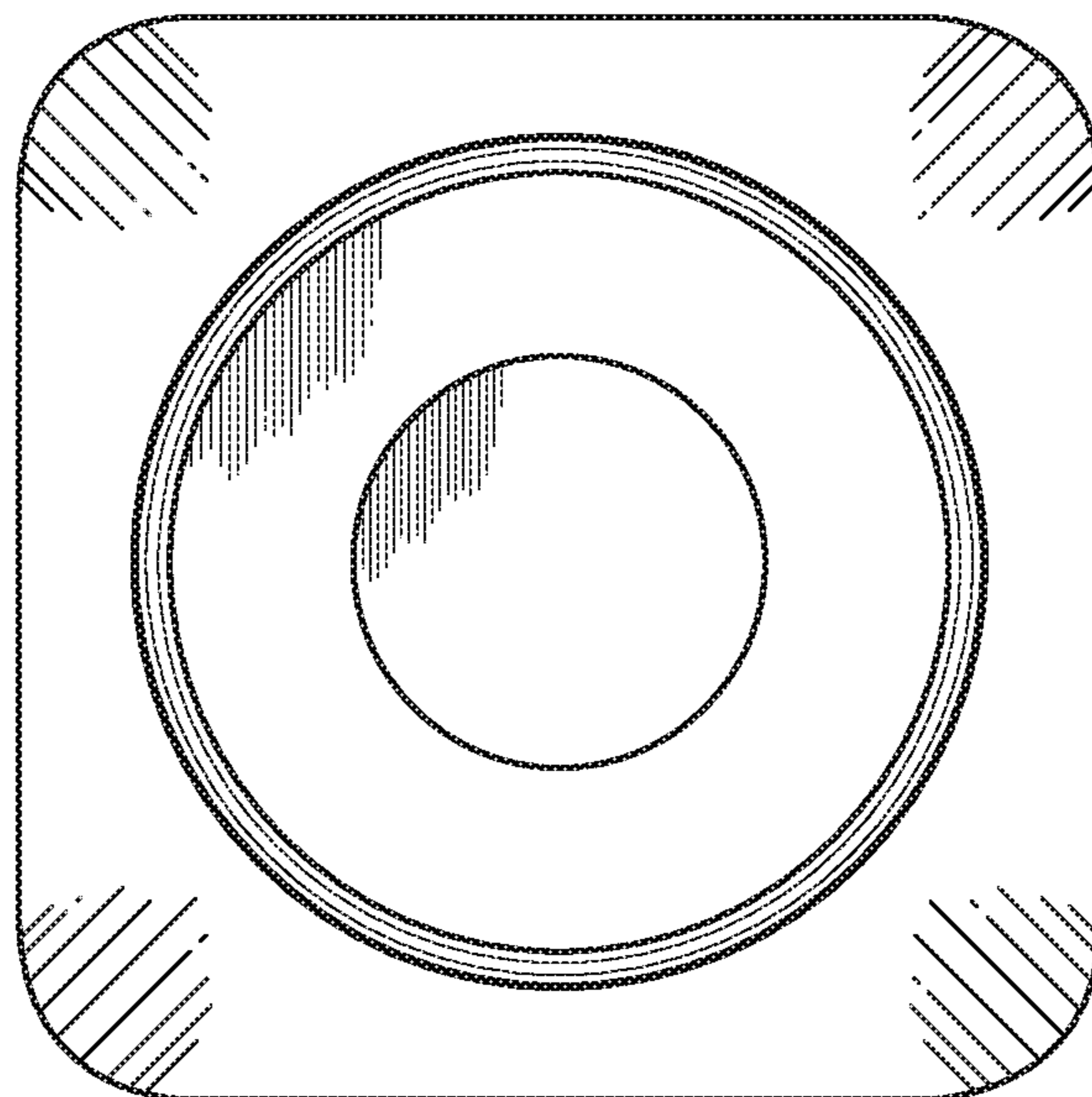


Fig. 3

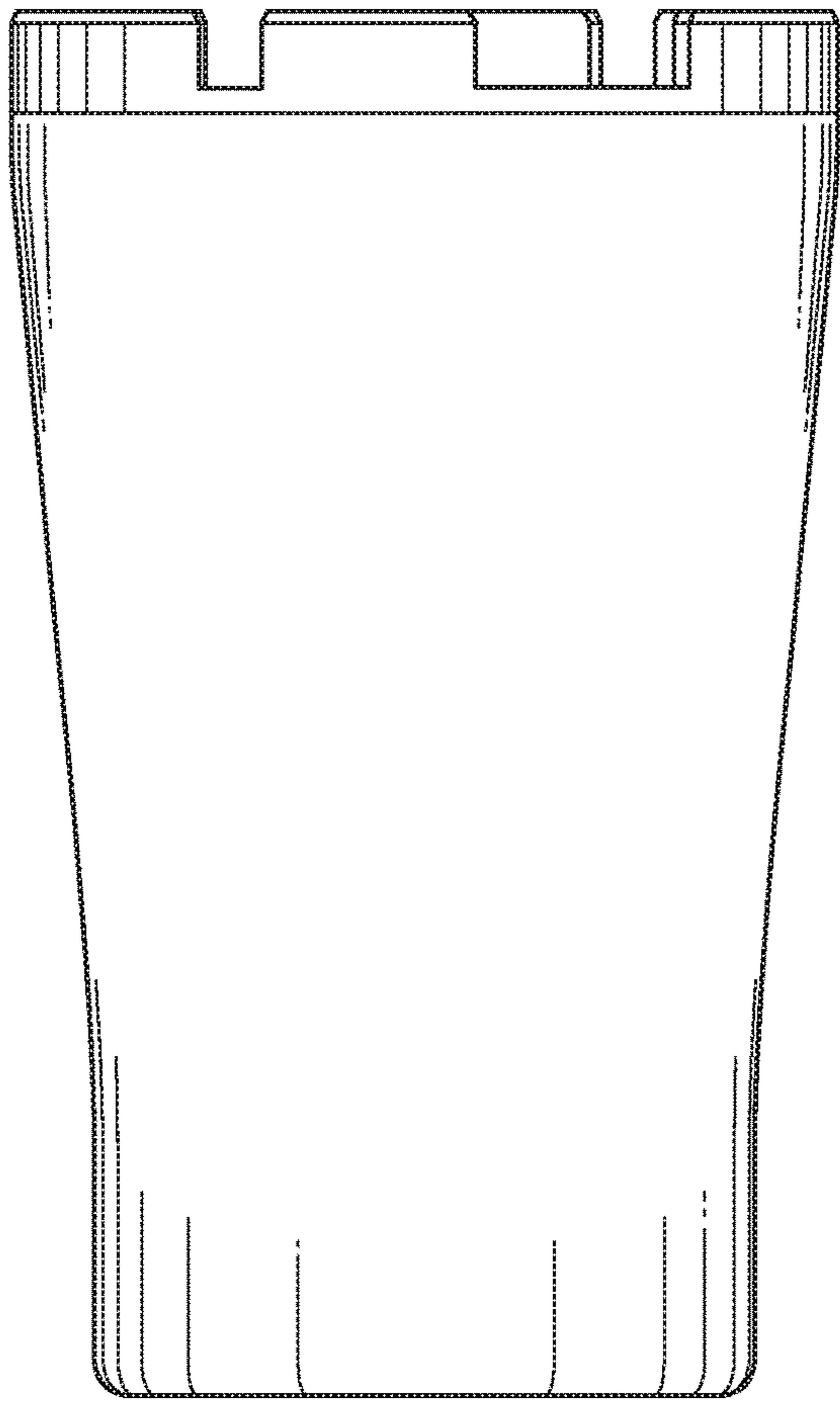


Fig. 4

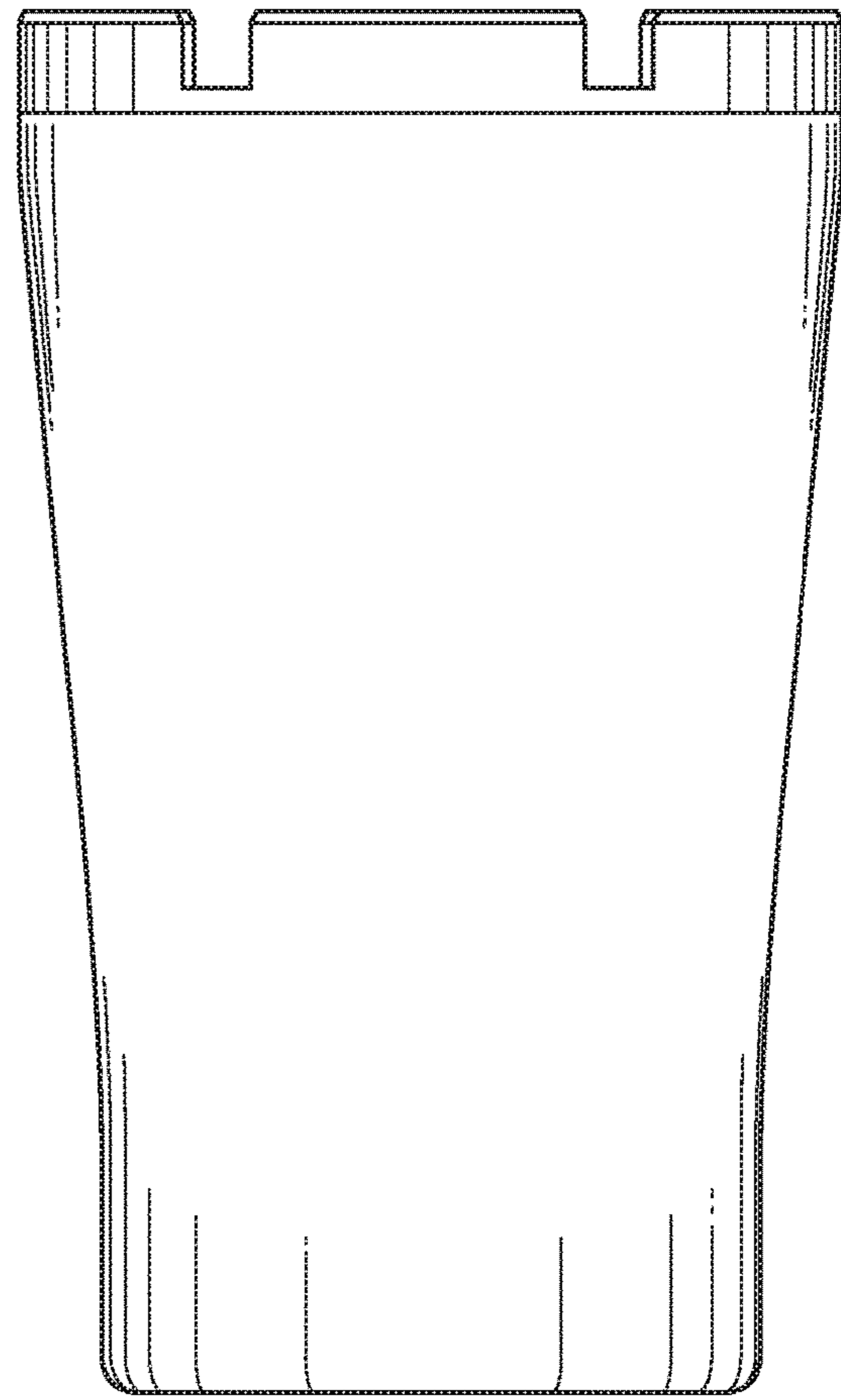


Fig. 5

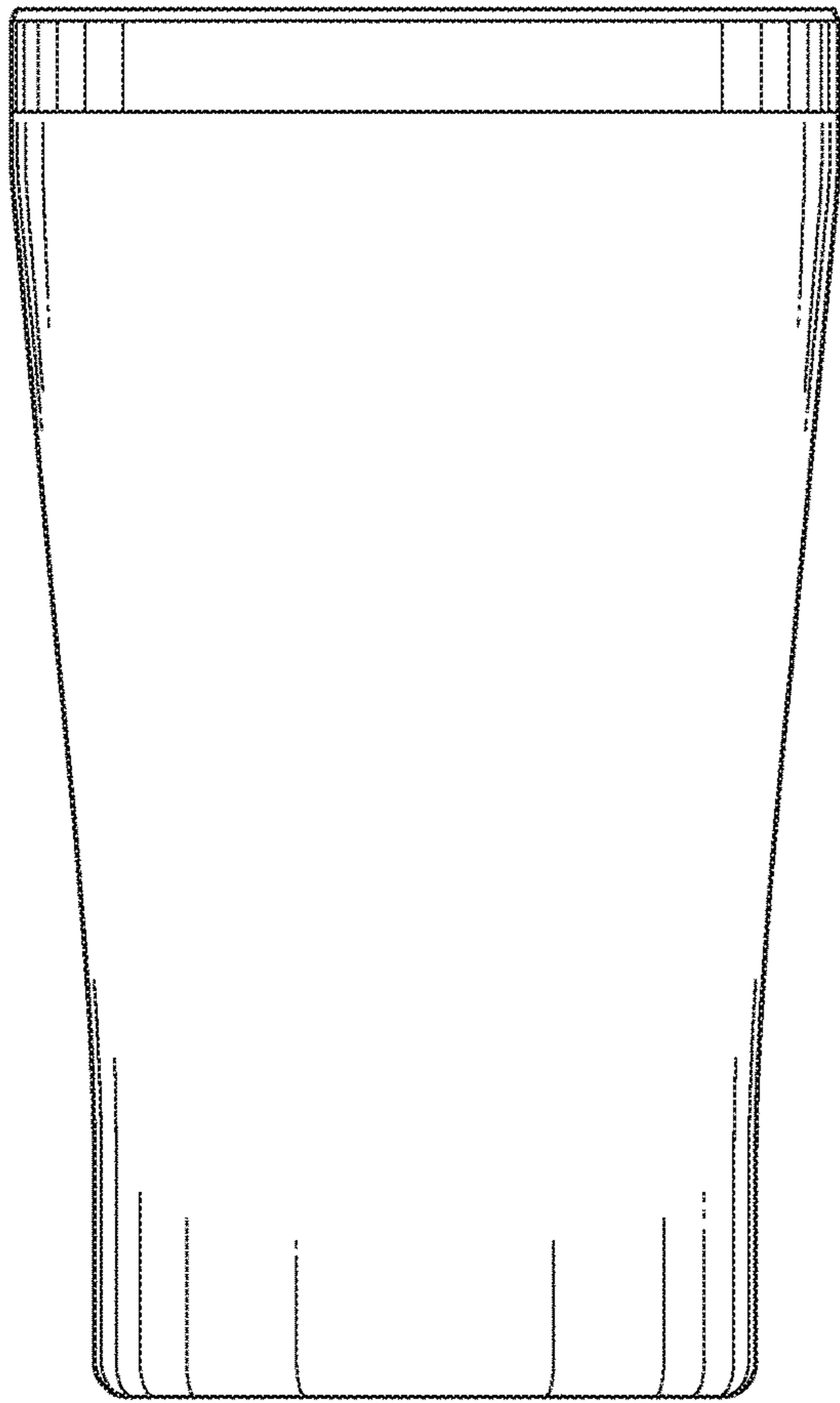


Fig. 6

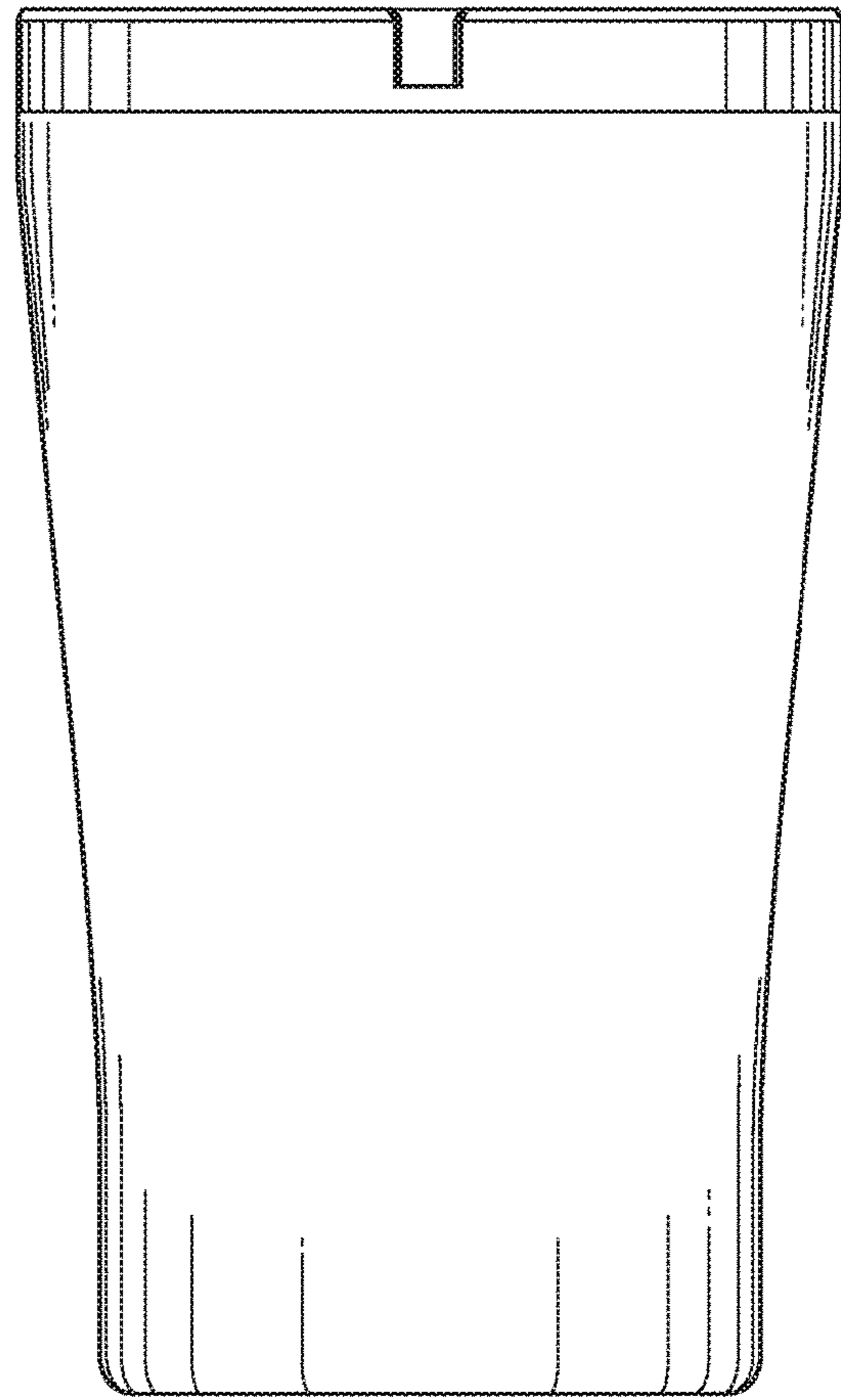


Fig. 7