



US00D868670S

(12) **United States Design Patent** (10) **Patent No.:** **US D868,670 S**  
**Kruk et al.** (45) **Date of Patent:** **\*\* Dec. 3, 2019**

(54) **JOYSTICK**  
(71) Applicant: **ISRAEL AEROSPACE INDUSTRIES LTD.**, Lod (IL)  
(72) Inventors: **Eyal Kruk**, Petah Tiqwa (IL); **Omer Frank**, Tel Aviv (IL)  
(73) Assignee: **ISRAEL AEROSPACE INDUSTRIES LTD.**, Lod (IL)  
(\*\*) Term: **15 Years**  
(21) Appl. No.: **29/691,364**  
(22) Filed: **May 15, 2019**

**Related U.S. Application Data**

(62) Division of application No. 29/612,243, filed on Jul. 31, 2017.

**Foreign Application Priority Data**

(30) Jan. 31, 2017 (IL) ..... 59905  
Jan. 31, 2017 (IL) ..... 59906  
(51) **LOC (12) Cl.** ..... **12-07**  
(52) **U.S. Cl.**  
USPC ..... **D12/345**; D14/412; D14/416  
(58) **Field of Classification Search**  
USPC .... D14/400–418, 426–430, 454–455, 203.3,  
D14/218, 300, 356, 383, 388, 399, 432,  
D14/358; D21/331, 333, 566, 572–574,  
D21/324, 328, 436, 447, 448, 449, 453;  
D22/100, 103–105; D13/162, 162.1, 168;  
D10/78, 98, 103; D12/319, 323, 336,  
D12/345, 415, 416, 174, 179, 180, 192;  
D15/28

(Continued)

(56) **References Cited**  
U.S. PATENT DOCUMENTS  
D352,739 S \* 11/1994 Ho ..... D14/416  
D365,576 S \* 12/1995 Butkovich ..... D12/179  
(Continued)

**OTHER PUBLICATIONS**  
PXN-2113 Hot PC USB Flight Joysticks Vibration Joystick Rocker  
Fighter Simulator Game Controller, online, first review Jun. 24,  
2018, <URL: <https://www.aliexpress.com/i/32849701815.html> &  
gt;, retrieved Mar. 13, 2019. ‡  
(Continued)

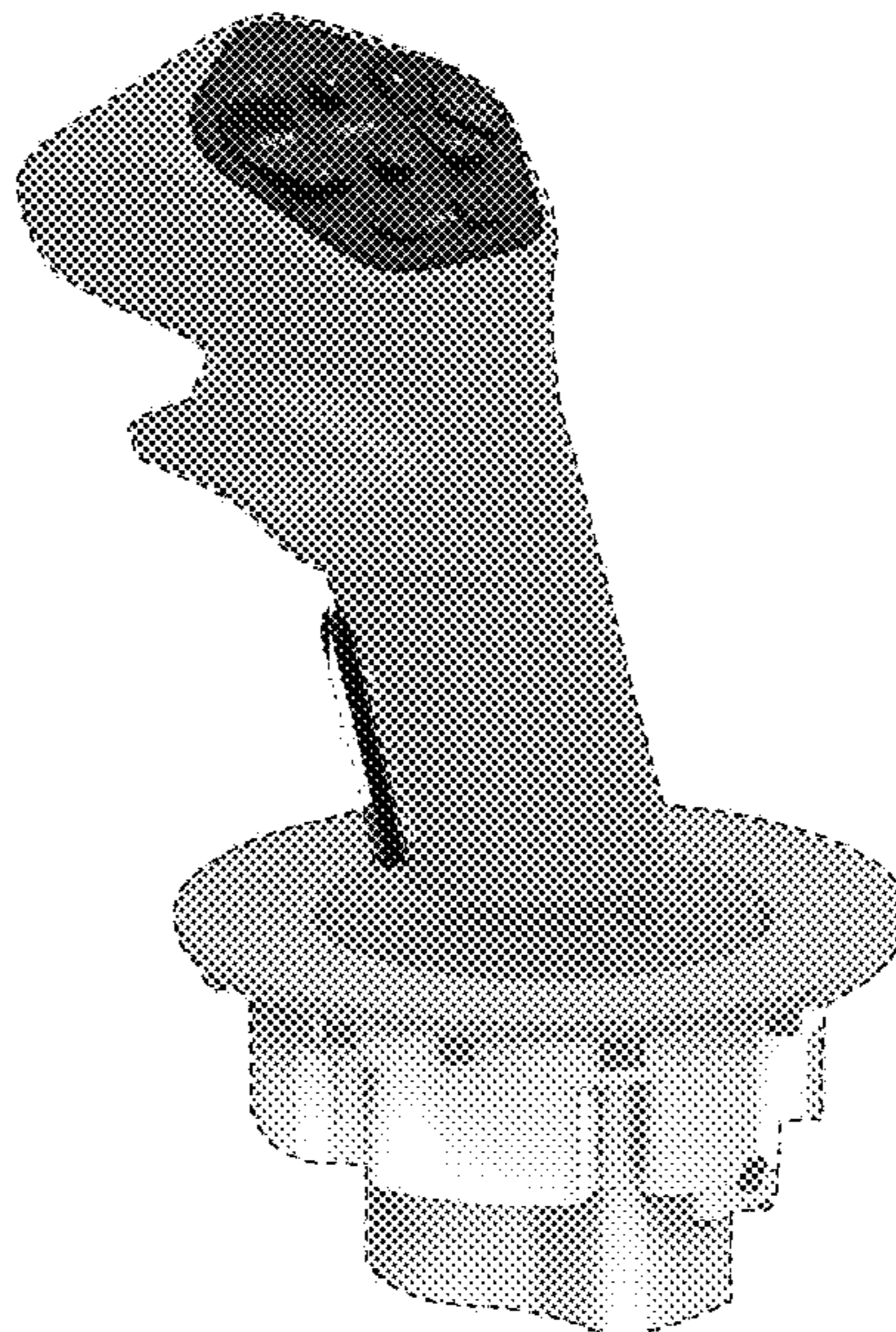
*Primary Examiner* — Jeffrey D Asch  
*Assistant Examiner* — Rebekah A Caruso  
(74) *Attorney, Agent, or Firm* — Dorsey & Whitney LLP

(57) **CLAIM**  
The ornamental design for a joystick, as shown and described.

**DESCRIPTION**

FIG. 1 is a front perspective view of a new design for a joystick;  
FIG. 2 is a top perspective view thereof;  
FIG. 3 is another top perspective view thereof;  
FIG. 4 is a right perspective view thereof;  
FIG. 5 is top view thereof;  
FIG. 6 is a bottom view thereof;  
FIG. 7 is a right view thereof;  
FIG. 8 is a left view thereof;  
FIG. 9 is a front view thereof; and,  
FIG. 10 is a rear view thereof.  
The claimed design is indicated by the relatively darker portions in the figures. The areas delineated in broken lines, and the relatively lighter portions within, are included for the purpose of illustrating environmental structure and form no part of the claimed design.

**1 Claim, 10 Drawing Sheets**



(58) **Field of Classification Search**

CPC .. A63F 9/02; A63F 9/24; A63F 9/0291; A63F 9/0252; A63F 13/00; A63H 5/04; F41J 5/02; H01H 25/04; H01H 25/041; H01H 25/043; E02F 9/2004; G05G 9/047; G06F 3/011; G06F 3/038

See application file for complete search history.

(56) **References Cited**

U.S. PATENT DOCUMENTS

D366,910	S	*	2/1996	Hsieh	.....	D14/412
D381,048	S	‡	7/1997	Lee	.....	D14/416
D383,803	S	*	9/1997	Cheng	.....	D14/416
D388,837	S	*	1/1998	Lee	.....	D14/416
D392,690	S	‡	3/1998	Kaneko	.....	D14/416
D396,899	S	‡	8/1998	Kaneko	.....	D14/416
D441,366	S	‡	5/2001	Alviar	.....	D14/412
D441,367	S	‡	5/2001	Alviar	.....	D14/412
D444,785	S	‡	7/2001	Whitehorn	.....	D14/412
D449,614	S	*	10/2001	Osborn	.....	D14/412
D479,239	S	‡	9/2003	Faust	.....	D14/415
6,892,481	B2	‡	5/2005	Yamamoto	..... E02F 9/2004 324/207.2	
D508,964	S	‡	8/2005	Golliher	.....	D21/566
D595,744	S	*	7/2009	Umeda	.....	D15/28
D606,100	S	*	12/2009	Kobayashi	.....	D15/28
D606,566	S	*	12/2009	Kobayashi	.....	D15/28
D606,567	S	*	12/2009	Kobayashi	.....	D15/28
D613,232	S	‡	4/2010	Guering	.....	D12/345
D661,712	S	*	6/2012	Muraoka	.....	D15/28
D671,565	S	*	11/2012	Kinoshita	.....	D15/28

D675,555	S	*	2/2013	Ouellette	.....	D12/345
D678,283	S	*	3/2013	Olson	.....	D14/412
D723,033	S	*	2/2015	Hoock	.....	D14/412
D727,904	S	‡	4/2015	Jensen	.....	D14/415
D734,335	S	‡	7/2015	Jensen	.....	D14/415
D734,750	S	‡	7/2015	Jensen	.....	D14/415
D745,008	S	‡	12/2015	Jensen	.....	D14/415
D745,009	S	‡	12/2015	Jensen	.....	D14/415
D758,949	S	‡	6/2016	Tran	.....	D12/345
D760,145	S	‡	6/2016	Kasparian	.....	D12/345
D769,178	S	‡	10/2016	Kasparian	.....	D12/345
D840,360	S	*	2/2019	Scott	.....	D13/168
D844,514	S	*	4/2019	Wagner	.....	D12/179
2017/0086933	A1	‡	3/2017	Ogawa	.....	A61B 17/00
2018/0335853	A1	‡	11/2018	Chiu	.....	G06F 3/038
2019/0038968	A1	‡	2/2019	Machida	.....	G06F 3/016
2019/0041999	A1	*	2/2019	Hirata	.....	G06F 3/011

OTHER PUBLICATIONS

APEM XD Series Joysticks, online, post date Oct. 19, 2018, &lt;URL: <https://www.digikey.com/en/product-highlight/a/apem/xd-series-joysticks> &gt;;, retrieved Mar. 13, 2019.‡  
 “APEM XD Series Joysticks, online, post date Oct. 19, 2018, <URL: <https://www.digikey.com/en/product-highlight/a/apem/xd-series-joysticks> >, retrieved Mar. 13, 2019”.  
 “PXN-2113 Hot PC USB Flight Joysticks Vibration Joystick Rocker Flighter Simulator Game Controller, online, first review Jun. 24, 2018 <URL: <https://www.aliexpress.com/i/32849701815.html> >, retrieved Mar. 13, 2019.”.

\* cited by examiner

‡ imported from a related application



FIG. 1



FIG. 2



FIG. 3

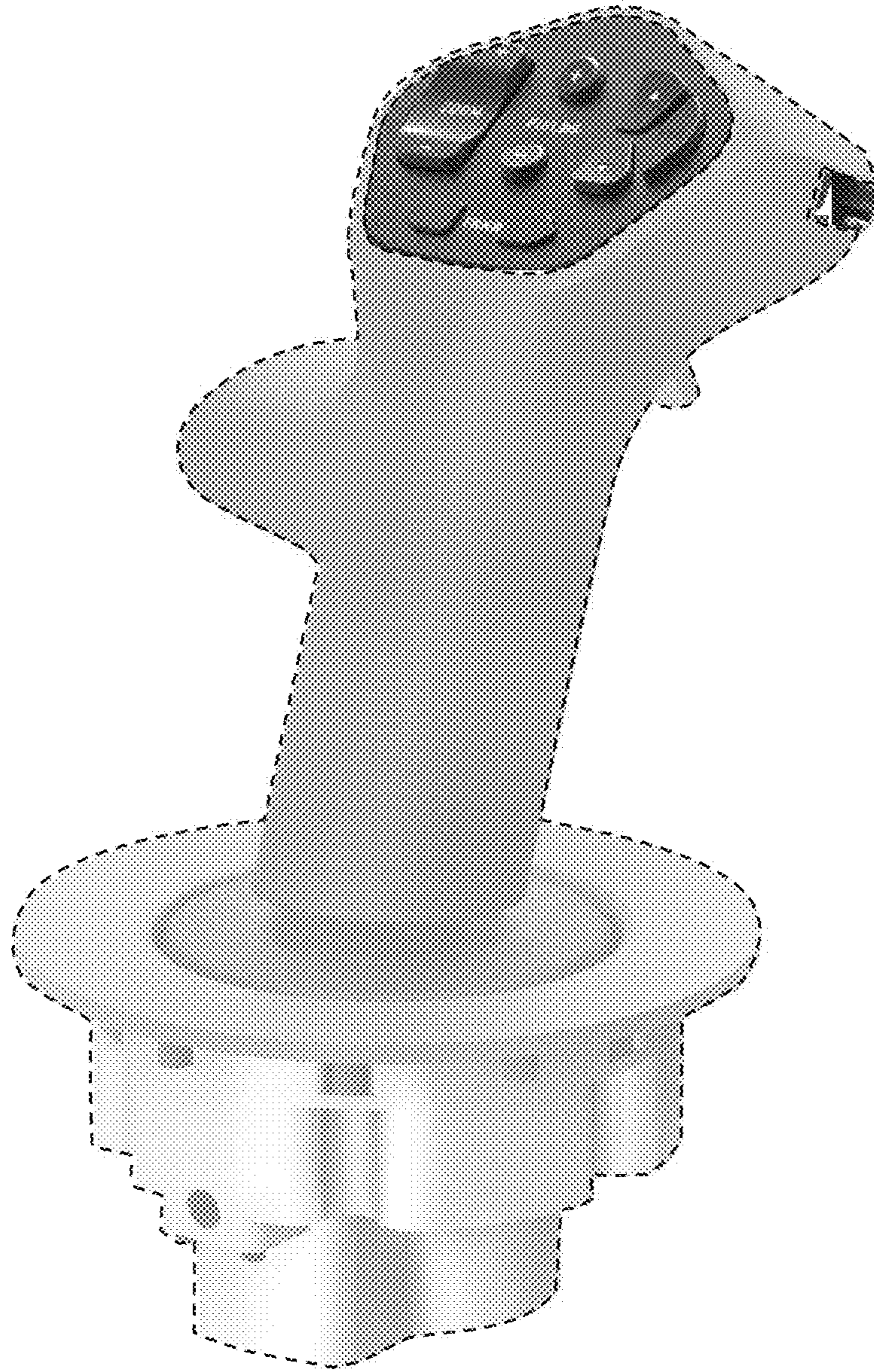


FIG. 4



FIG. 5

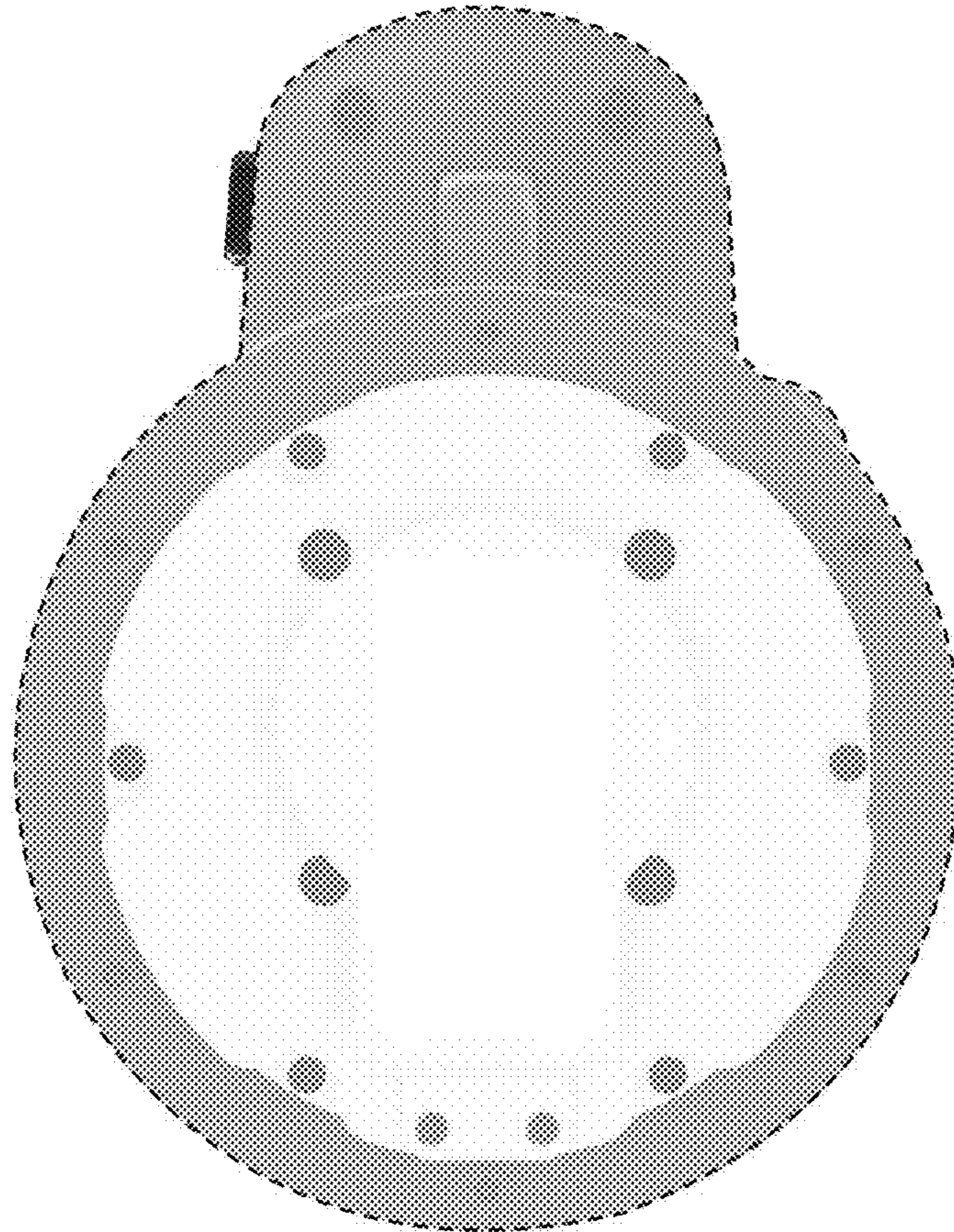


FIG. 6



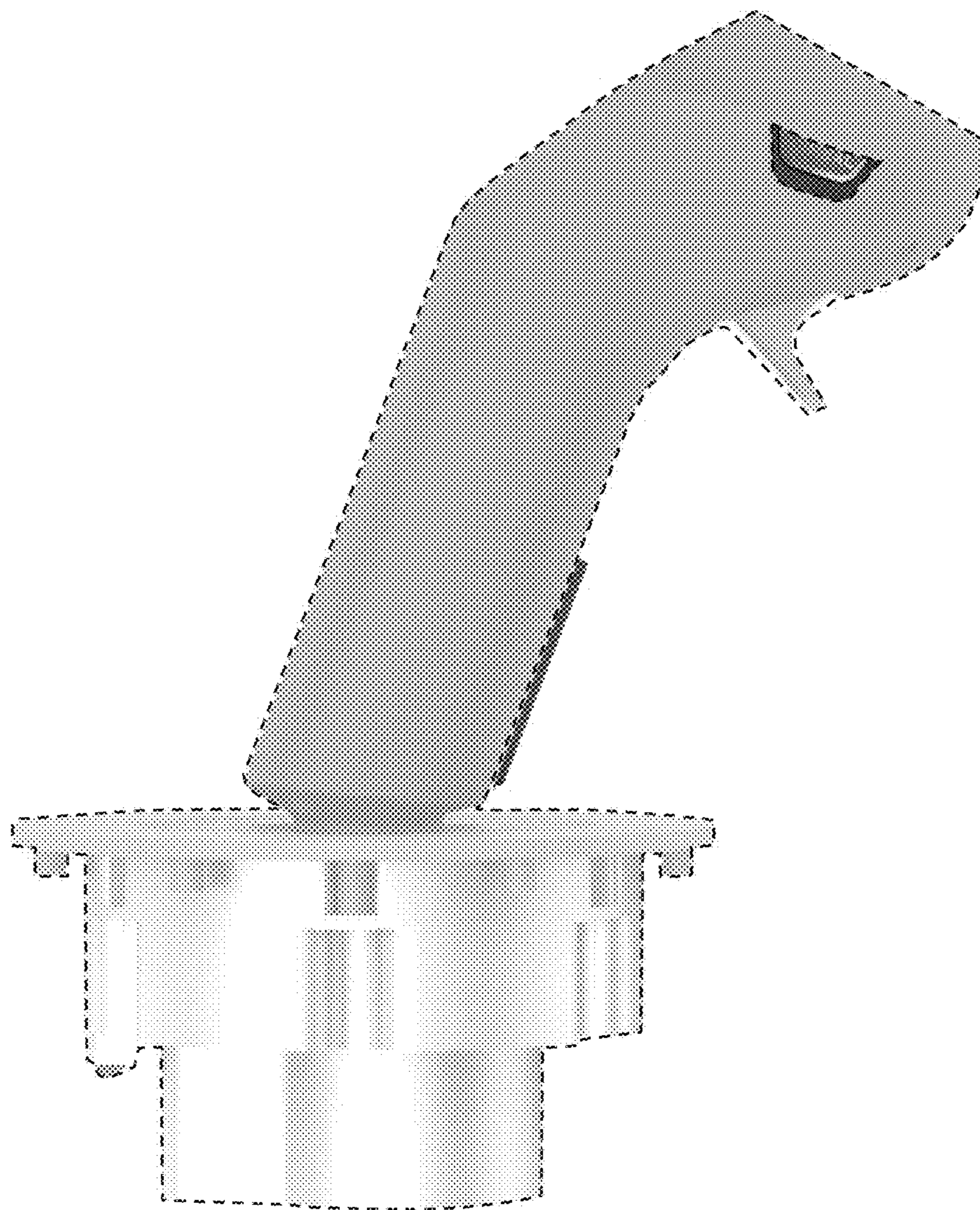


FIG. 7

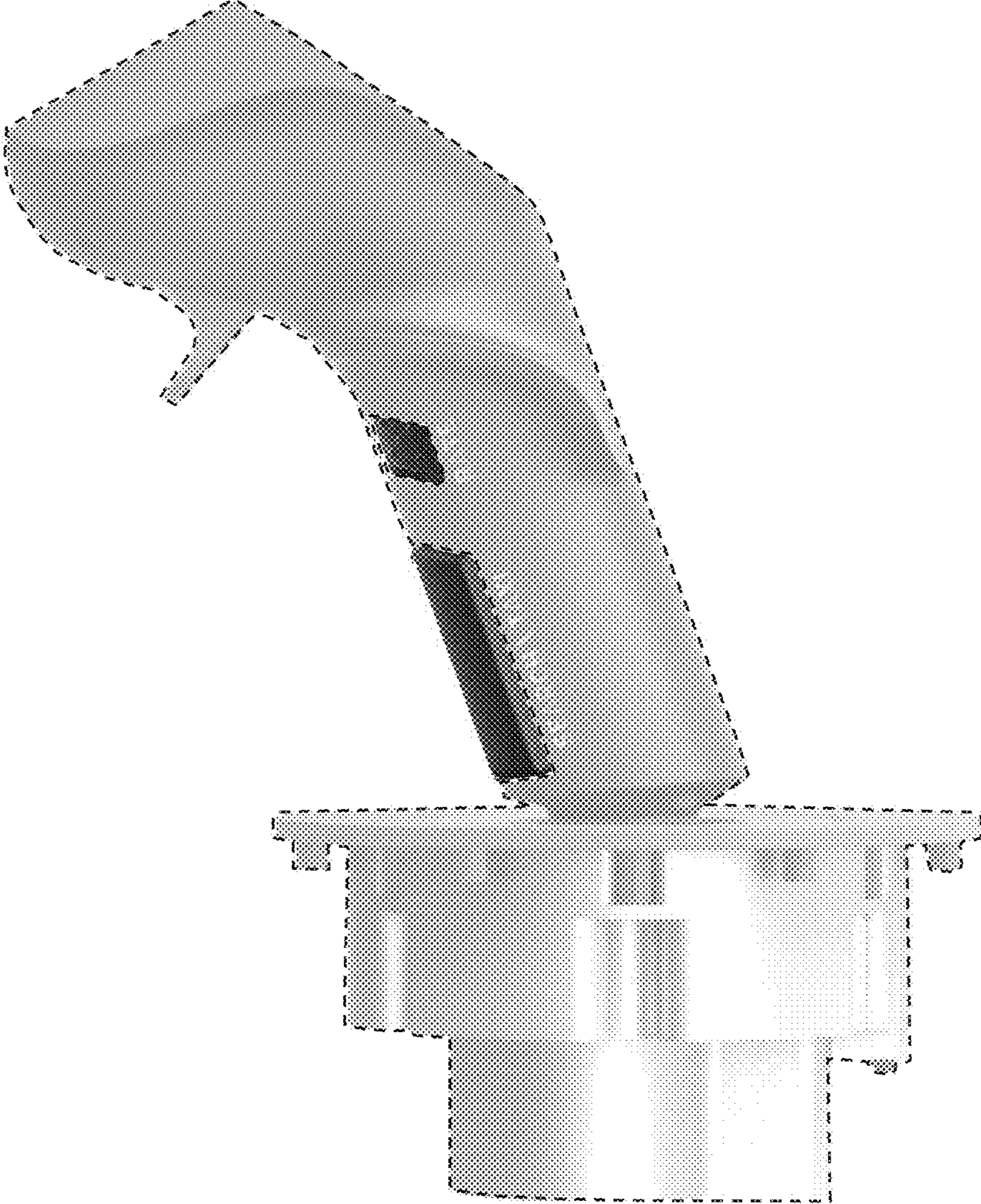


FIG. 8

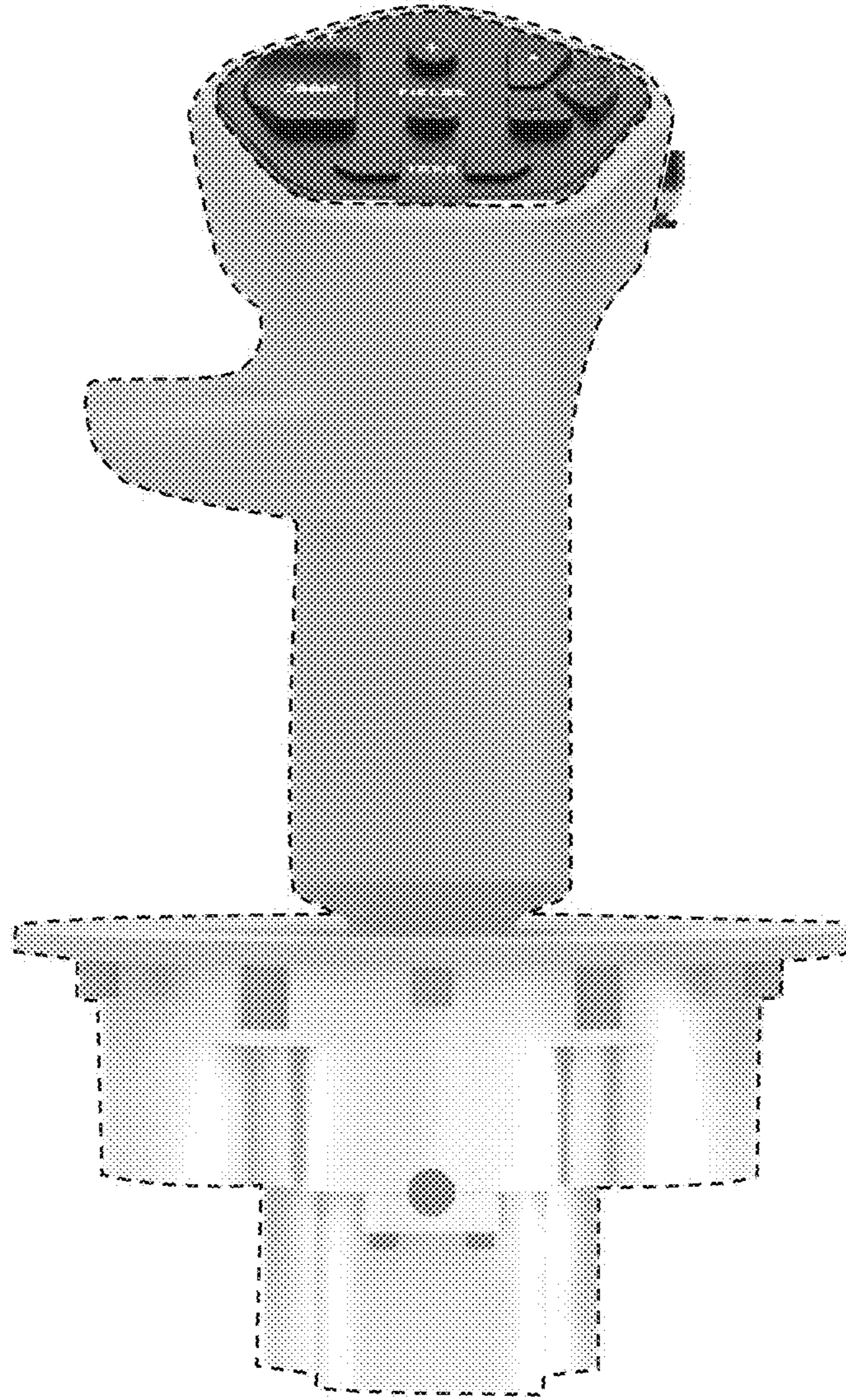


FIG. 9

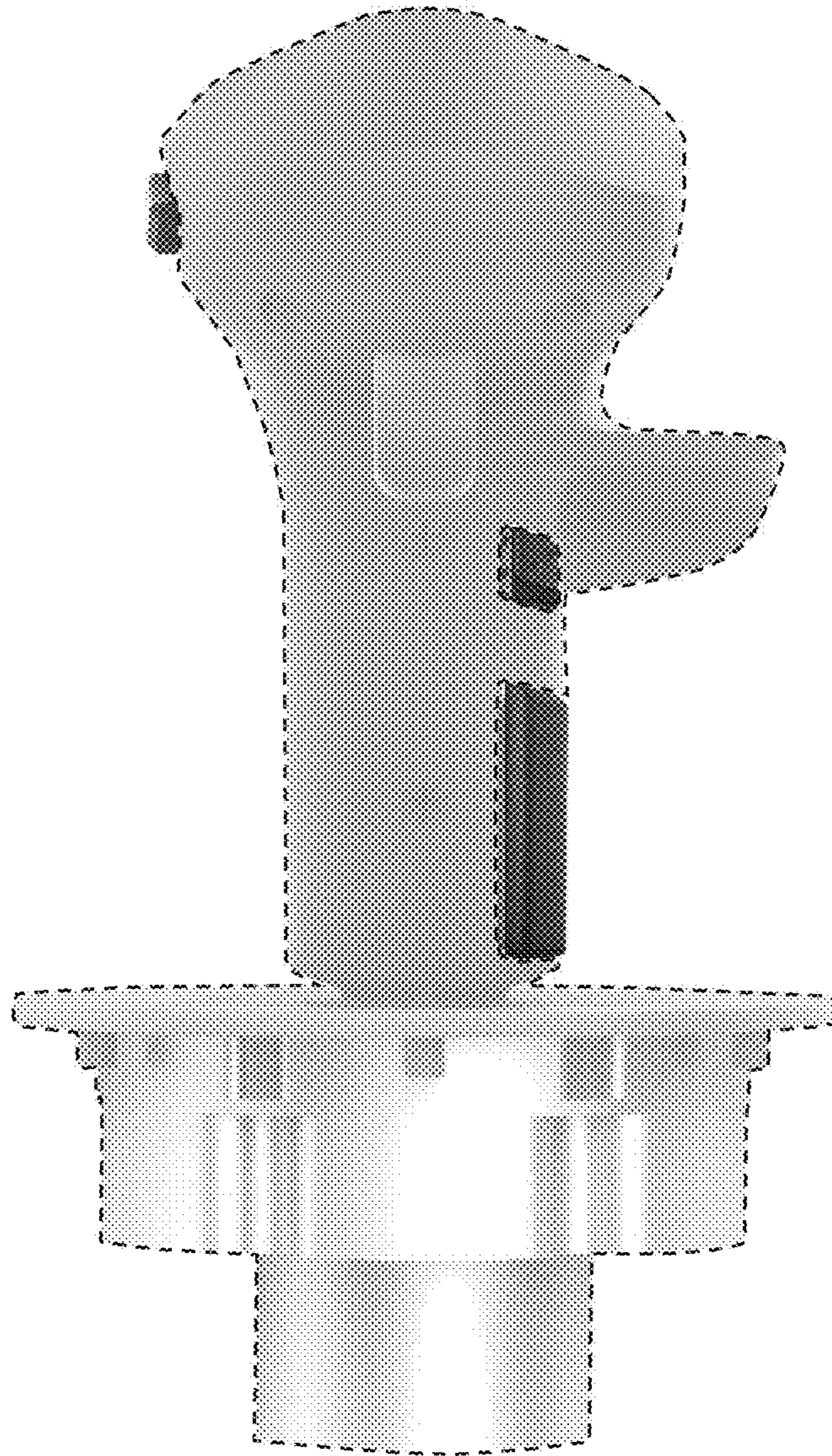


FIG. 10