



US00D868669S

(12) **United States Design Patent** (10) **Patent No.:** **US D868,669 S**
Kruk et al. (45) **Date of Patent:** **** Dec. 3, 2019**

(54) **JOYSTICK**

(71) Applicant: **ISRAEL AEROSPACE INDUSTRIES LTD.**, Lod (IL)

(72) Inventors: **Eyal Kruk**, Petah Tiqwa (IL); **Omer Frank**, Tel Aviv (IL)

(73) Assignee: **ISRAEL AEROSPACE INDUSTRIES LTD.**, Lod (IL)

(**) Term: **15 Years**

(21) Appl. No.: **29/691,363**

(22) Filed: **May 15, 2019**

Related U.S. Application Data

(62) Division of application No. 29/612,243, filed on Jul. 31, 2017.

(30) **Foreign Application Priority Data**

Jan. 31, 2017 (IL) 59905
Jan. 31, 2017 (IL) 59906

(51) **LOC (12) Cl.** **12-07**

(52) **U.S. Cl.**
USPC **D12/345**; D14/412; D14/416

(58) **Field of Classification Search**

USPC D14/400–418, 426–430, 454–455, 203.3, D14/218, 300, 356, 383, 388, 399, 432, D14/358; D21/331, 333, 566, 572–574, D21/324, 328, 436, 447, 448, 449, 453; D22/100, 103–105; D13/162, 162.1, 168; D10/78, 98, 103; D12/319, 323, 336, D12/345, 415, 416, 174, 179, 180, 192; D15/28
CPC .. A63F 9/02; A63F 9/24; A63F 9/0291; A63F 9/0252; A63F 13/00; A63H 5/04; F41J 5/02; H01H 25/04; H01H 25/041; H01H 25/043; E02F 9/2004; G05G 9/047; G06F 3/011; G06F 3/038
See application file for complete search history.

(56) **References Cited**

U.S. PATENT DOCUMENTS

D352,739 S * 11/1994 Ho D14/416
D366,910 S * 2/1996 Hsieh D14/412
D377,056 S * 12/1996 Salinas D14/416
D381,048 S ‡ 7/1997 Lee D14/416

(Continued)

OTHER PUBLICATIONS

PXN-2113 Hot PC USB Flight Joysticks Vibration Joystick Rocker Flighter Simulator Game Controller, online, first review Jun. 24, 2018, <URL: https://www.aliexpress.com/i/32849701815.html >, retrieved Mar. 13, 2019.‡

(Continued)

Primary Examiner — Jeffrey D Asch

Assistant Examiner — Rebekah A Caruso

(74) *Attorney, Agent, or Firm* — Dorsey & Whitney LLP

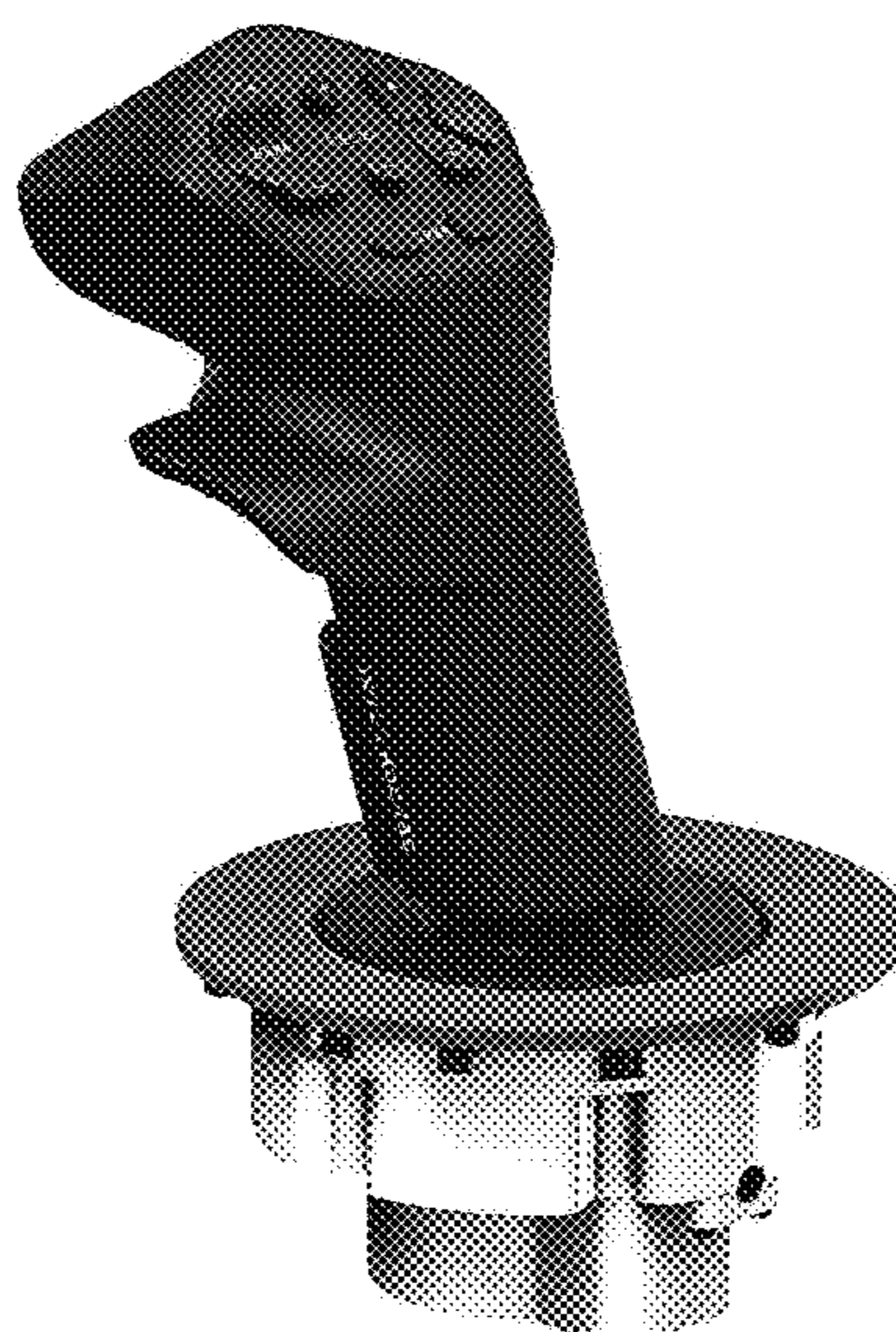
(57) **CLAIM**

The ornamental design for a joystick, as shown and described.

DESCRIPTION

FIG. 1 is a front perspective view of a new design for a joystick;
FIG. 2 is a top perspective view thereof;
FIG. 3 is another top perspective view thereof;
FIG. 4 is a right perspective view thereof;
FIG. 5 is top view thereof;
FIG. 6 is a bottom view thereof;
FIG. 7 is a right view thereof;
FIG. 8 is a left view thereof;
FIG. 9 is a front view thereof; and,
FIG. 10 is a rear view thereof.

1 Claim, 10 Drawing Sheets



(56)

References Cited

U.S. PATENT DOCUMENTS

D383,803 S * 9/1997 Cheng D14/416
 D388,837 S * 1/1998 Lee D14/416
 D392,690 S † 3/1998 Kaneko D14/416
 D396,899 S † 8/1998 Kaneko D14/416
 D441,366 S † 5/2001 Alviar D14/412
 D441,367 S † 5/2001 Alviar D14/412
 D444,785 S † 7/2001 Whitehorn D14/412
 D449,614 S * 10/2001 Osborn D14/412
 D479,239 S † 9/2003 Faust D14/415
 6,892,481 B2 † 5/2005 Yamamoto E02F 9/2004
 324/207.2
 D508,964 S † 8/2005 Gollhofer D21/566
 D595,744 S * 7/2009 Umeda D15/28
 D613,232 S † 4/2010 Guering D12/345
 D675,555 S * 2/2013 Ouellette D12/345
 D678,283 S * 3/2013 Olson D14/412
 D727,904 S † 4/2015 Jensen D14/415
 D734,335 S † 7/2015 Jensen D14/415
 D734,750 S † 7/2015 Jensen D14/415
 D745,008 S † 12/2015 Jensen D14/415
 D745,009 S † 12/2015 Jensen D14/415
 D758,949 S † 6/2016 Tran D12/345

D760,145 S † 6/2016 Kasparian D12/345
 D769,178 S † 10/2016 Kasparian D12/345
 D840,360 S * 2/2019 Scott D13/168
 D844,514 S * 4/2019 Wagner D12/179
 2017/0086933 A1 † 3/2017 Ogawa A61B 17/00
 2018/0335853 A1 * 11/2018 Chiu G06F 3/038
 2019/0038968 A1 † 2/2019 Machida G06F 3/016
 2019/0041999 A1 * 2/2019 Hirata G06F 3/011

OTHER PUBLICATIONS

APEM XD Series Joysticks, online, post date Oct. 19, 2018, <URL: <https://www.digikey.com/en/product-highlight/a/apem/xd-series-joysticks> >, retrieved Mar. 13, 2019. †
 “APEM XD Series Joysticks, online, post date Oct. 19, 2018, <URL: <https://www.digikey.com/en/product-highlight/a/apem/xd-series-joysticks>>, retrieved Mar. 13, 2019”.
 “PXN-2113 Hot PC USB Flight Joysticks Vibration Joystick Rocker Flighter Simulator Game Controller, online, first review Jun. 24, 2018 <URL: <https://www.aliexpress.com/i/32849701815.html> >, retrieved Mar. 13, 2019.”

* cited by examiner

† imported from a related application



FIG. 1



FIG. 2



FIG. 3



FIG. 4



FIG. 5



FIG. 6



FIG. 7



FIG. 8

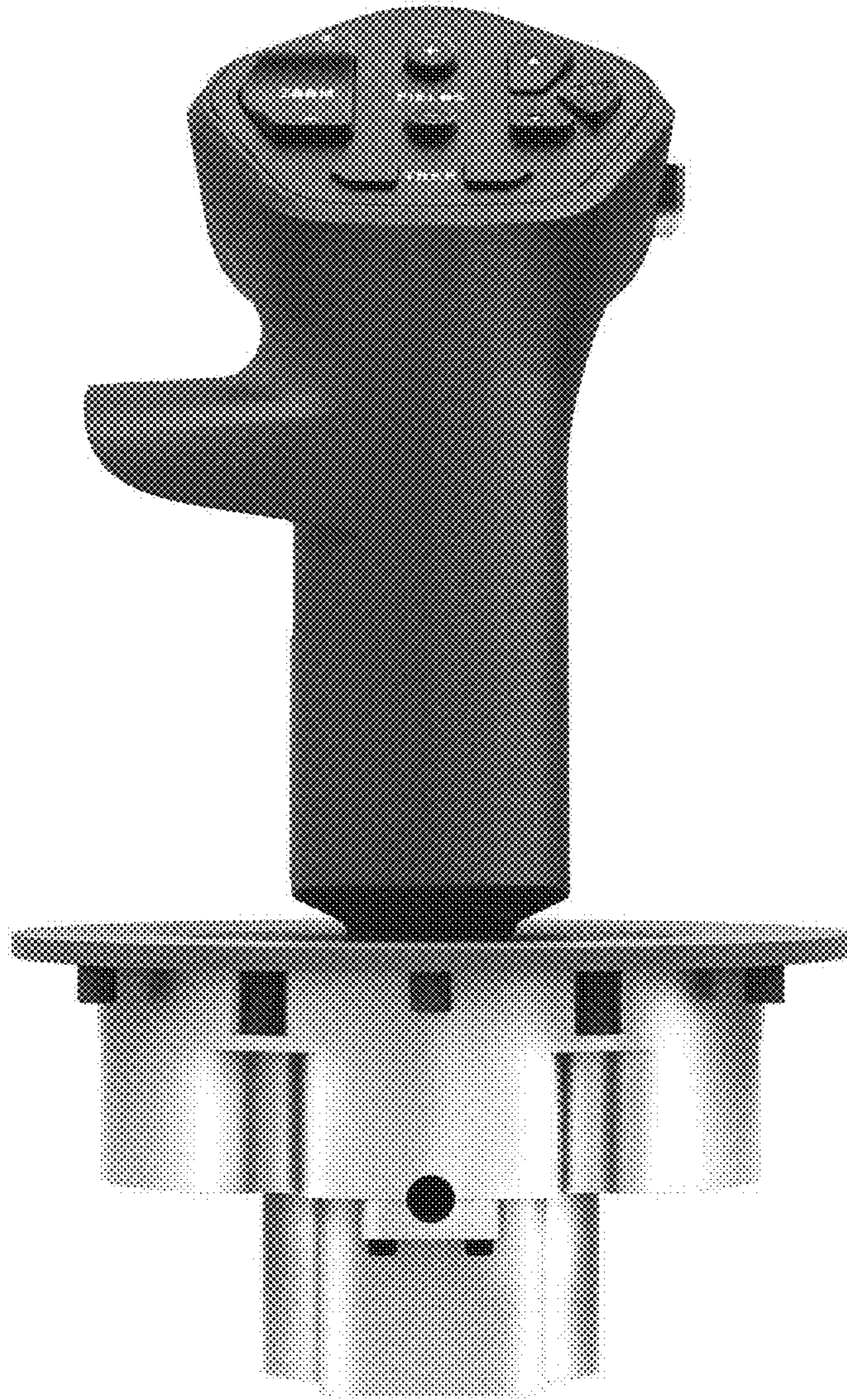


FIG. 9

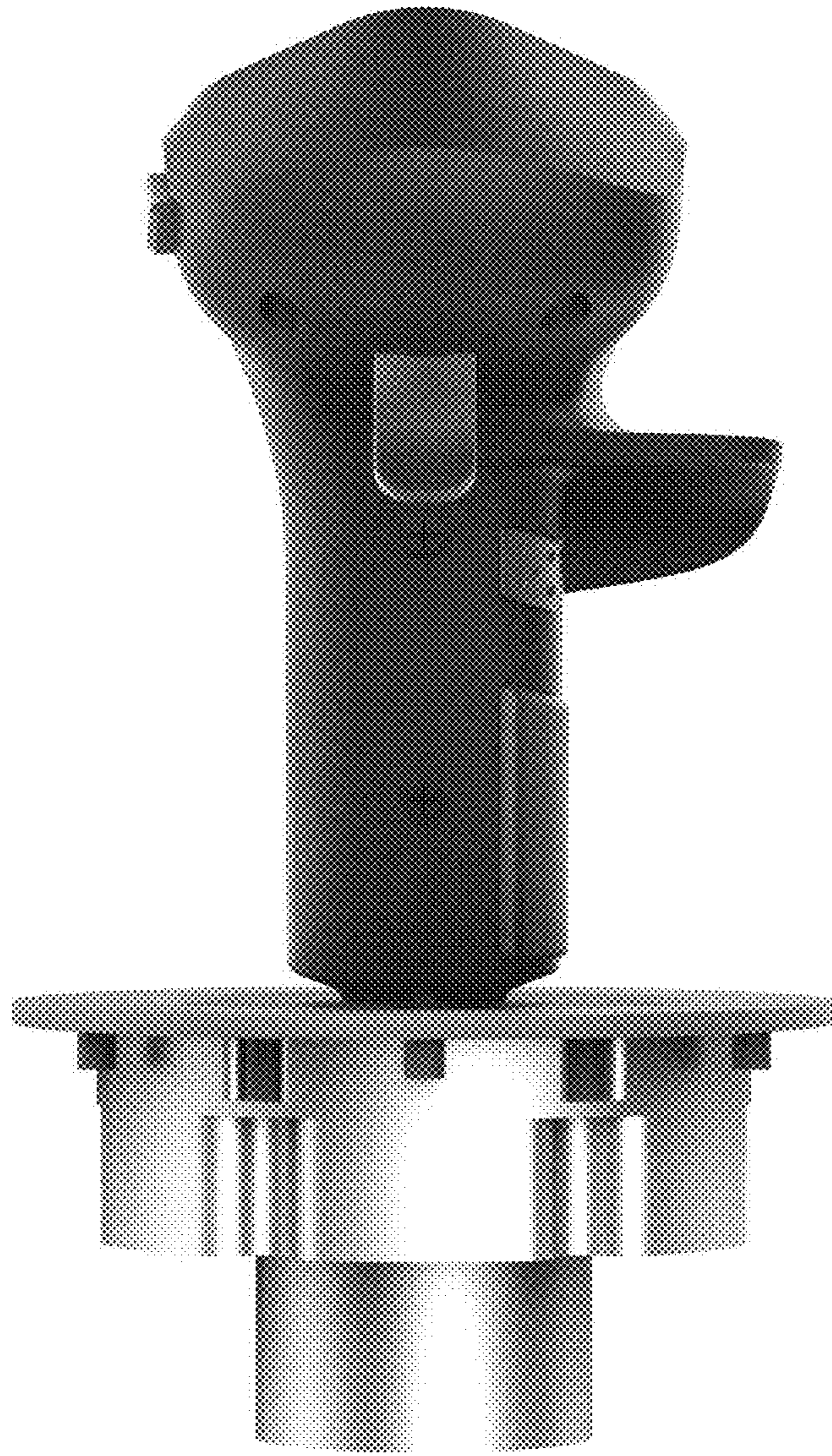


FIG. 10