



US00D868667S

(12) **United States Design Patent**
Blanco et al.

(10) **Patent No.:** **US D868,667 S**

(45) **Date of Patent:** **** Dec. 3, 2019**

(54) **BOAT**

CPC B63B 1/26; B63B 1/20; B63B 35/7923;
B63B 35/7943; B63B 1/24; B63B
35/7926; B63B 1/10

(71) Applicants: **UNIVERSITE DE MONTPELLIER**,
Montpellier (FR); **CENTRE
NATIONAL DE LA RECHERCHE
SCIENTIFIQUE**, Paris (FR); **ECOLE
PRATIQUE DES HAUTES ETUDES**,
Paris (FR); **AXLR, SATT DU
LANGUEDOC ROUSSILLON**,
Montpellier (FR)

See application file for complete search history.

(72) Inventors: **Maxime Blanco**, Montpellier (FR);
Pierre Lagandré, Castelnau le Lez
(FR); **Nathalan Pouilloux**, Bordeaux
(FR)

(56) **References Cited**

U.S. PATENT DOCUMENTS

D486,118 S * 2/2004 Rypinski D12/300
D580,339 S * 11/2008 McDougall D12/300
7,604,522 B1 * 10/2009 Burnham, Jr. B63B 35/81
441/72
D630,148 S * 1/2011 Christen D12/300

* cited by examiner

(**) **Term:** **15 Years**

Primary Examiner — Michael A. Pratt

(21) **Appl. No.:** **35/506,102**

(57) **CLAIM**

The ornamental design for boat, as shown and described.

(22) **Filed:** **Jul. 10, 2018**

(80) **Hague Agreement Data**

DESCRIPTION

Int. Filing Date: **Jul. 10, 2018**

1. Boat

Int. Reg. No.: **DM/103599**

1.1 : Front

Int. Reg. Date: **Jul. 10, 2018**

1.2 : Back

Int. Reg. Pub. Date: **Nov. 23, 2018**

1.3 : Top

1.4 : Bottom

(51) **LOC (12) Cl.** **12-06**

1.5 : Left

1.6 : Right

(52) **U.S. Cl.**

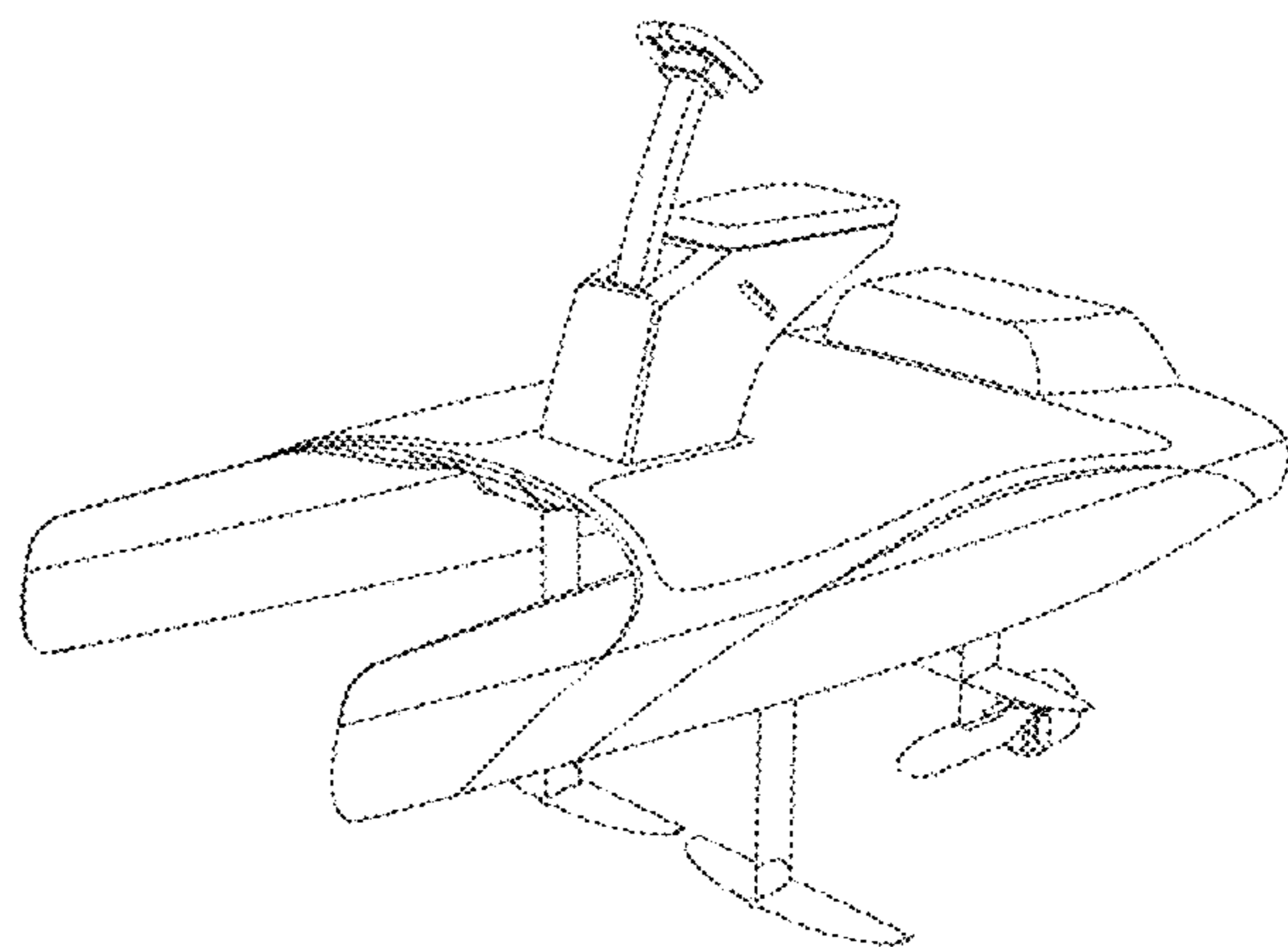
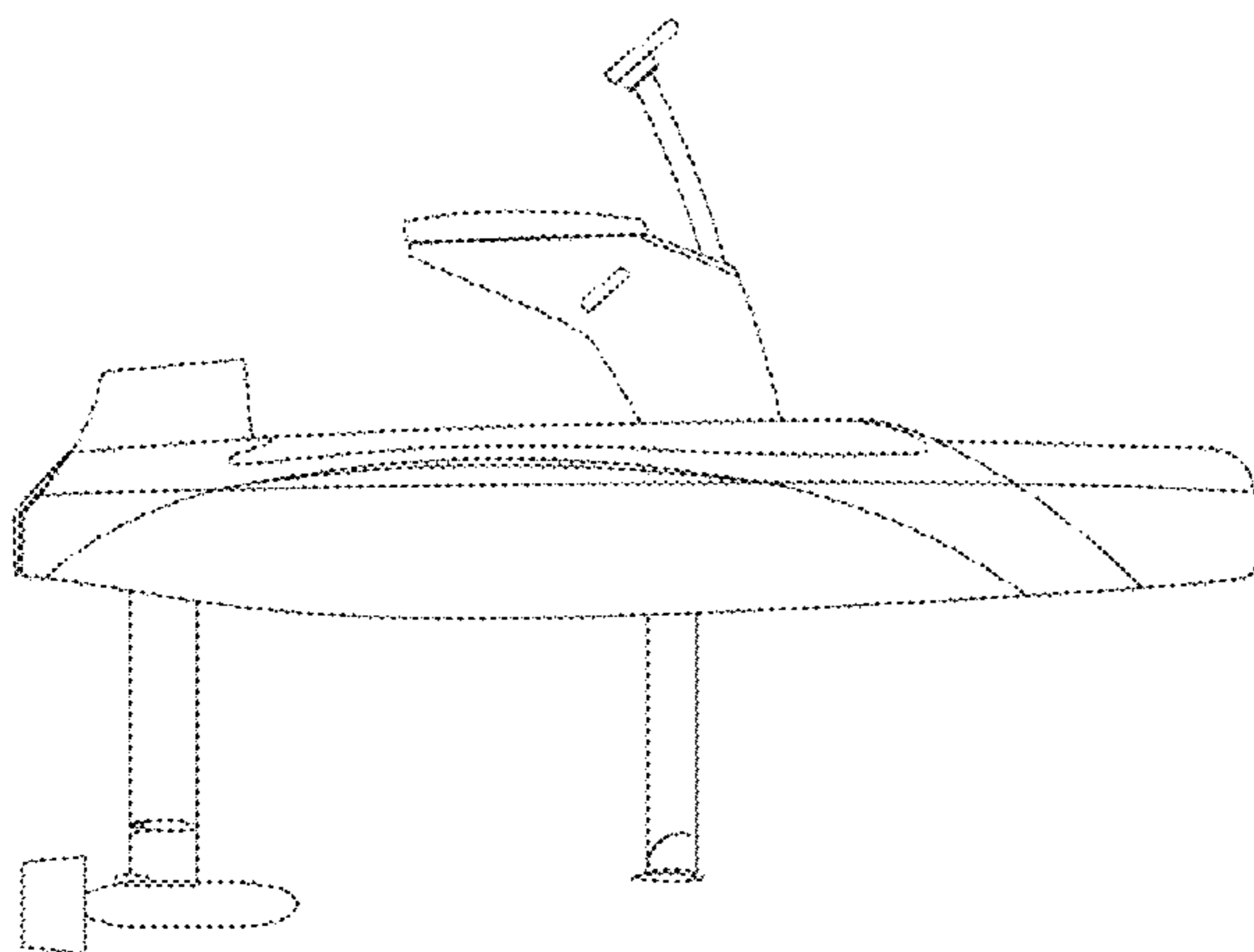
USPC **D12/309**

1.7 : Perspective

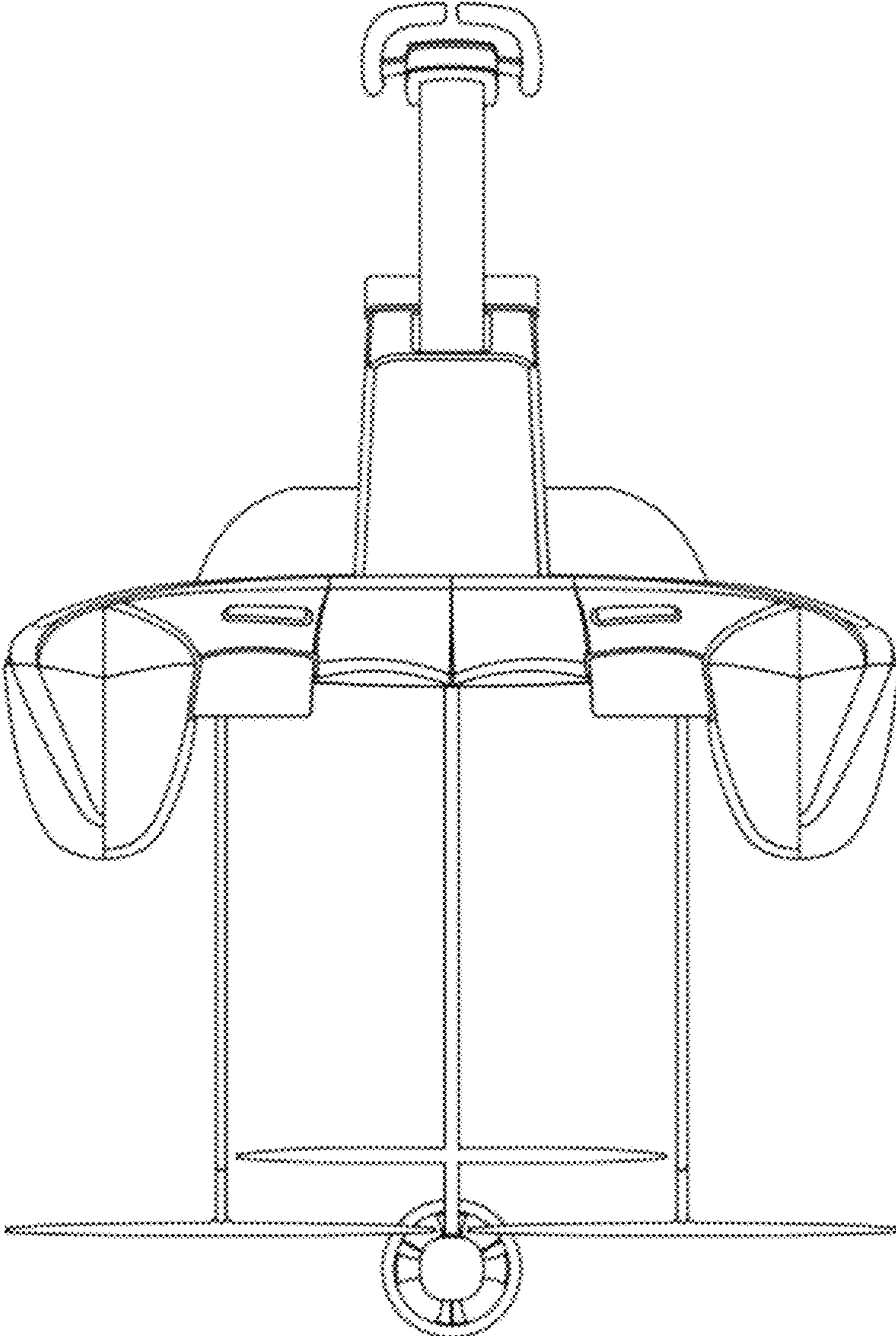
(58) **Field of Classification Search**

USPC D12/300, 307, 309

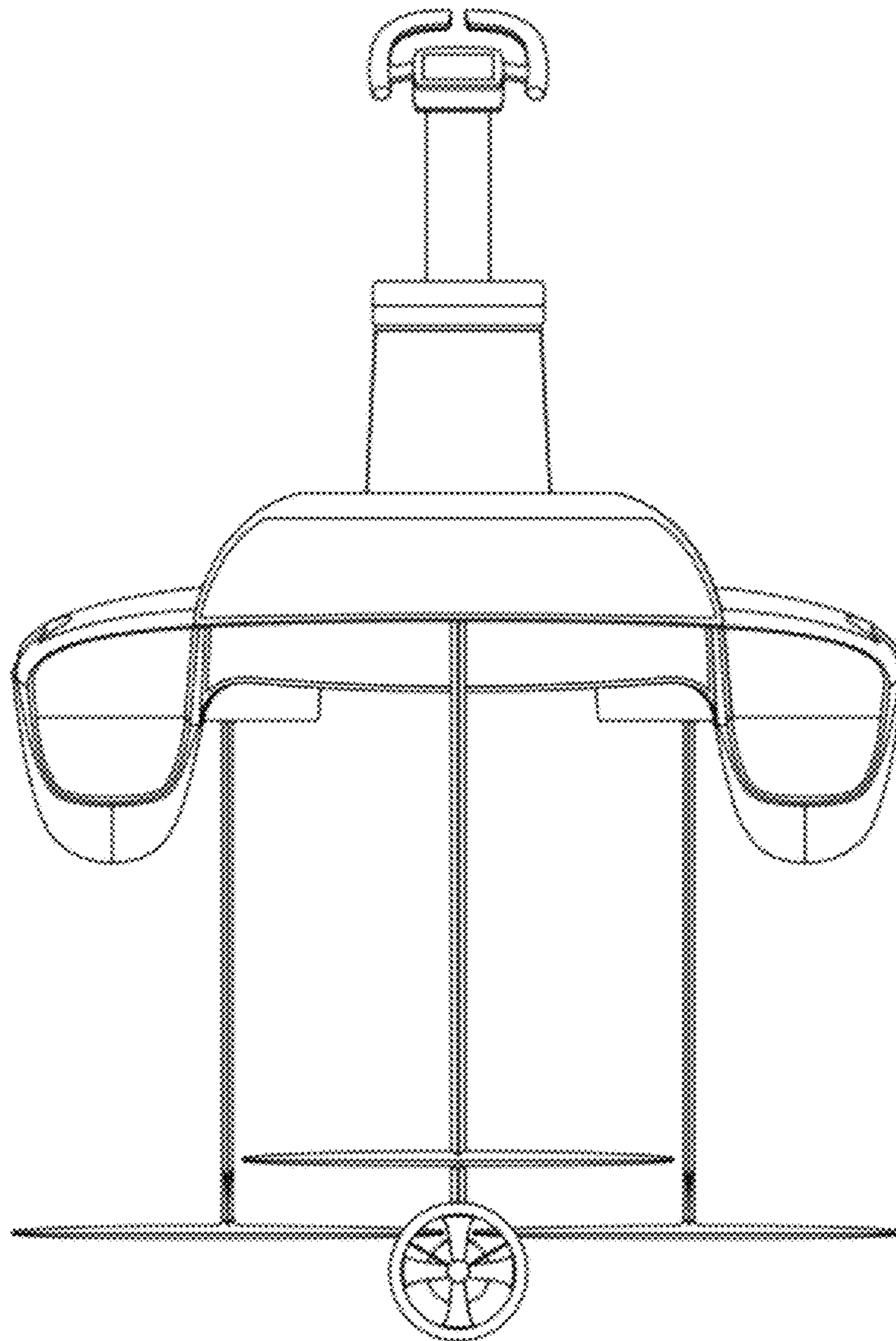
1 Claim, 7 Drawing Sheets



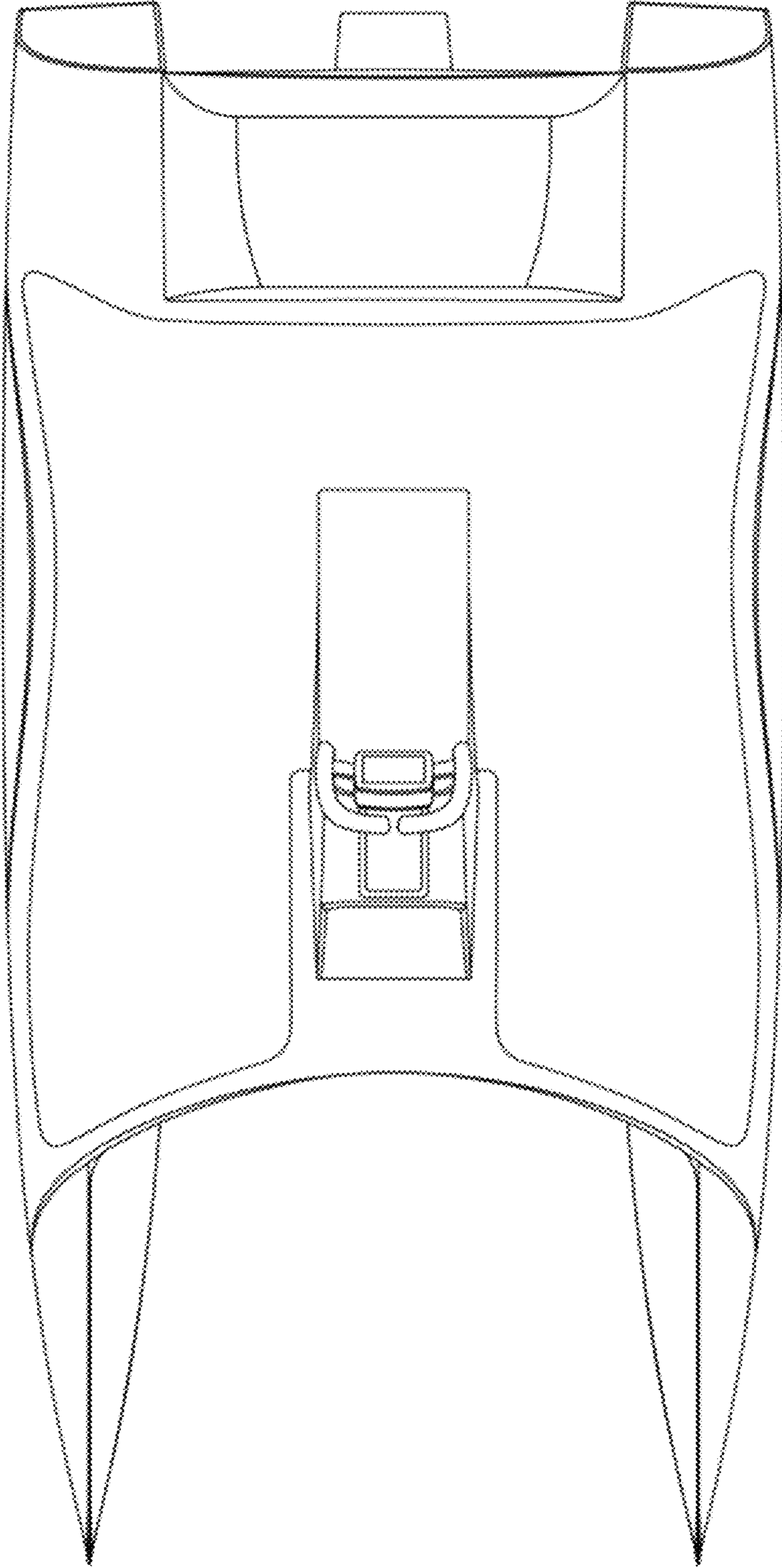
1.1



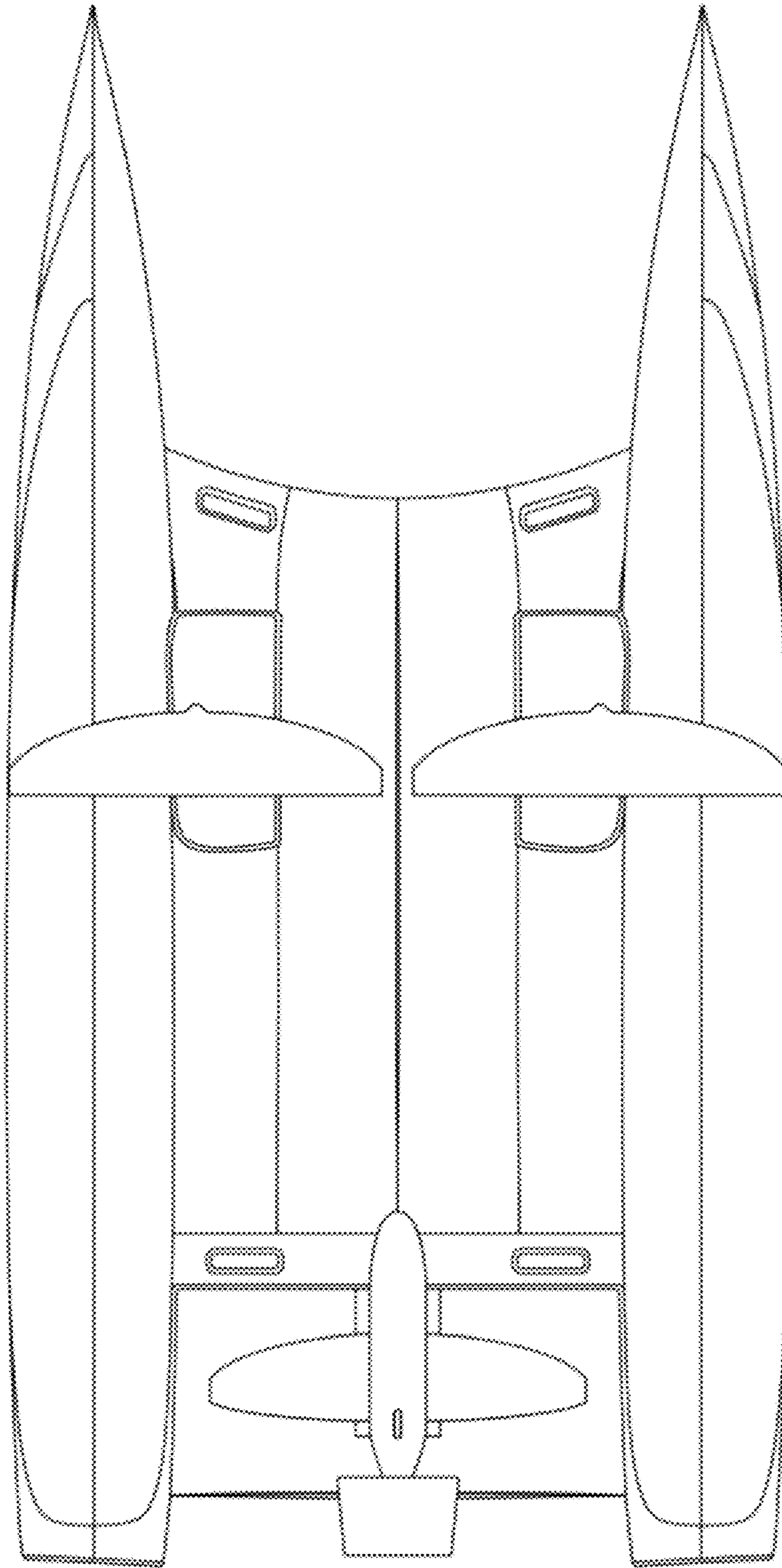
1.2



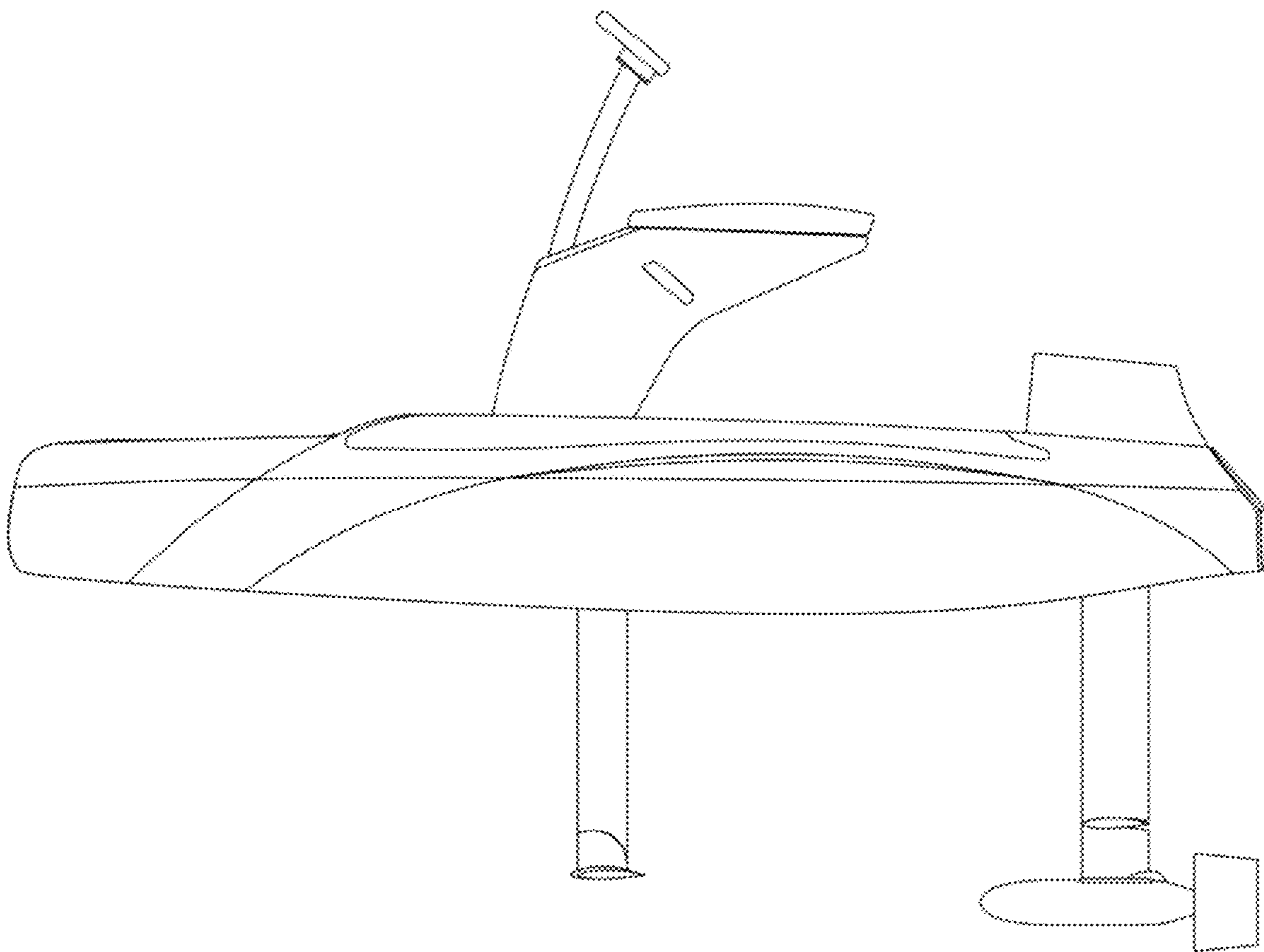
1.3



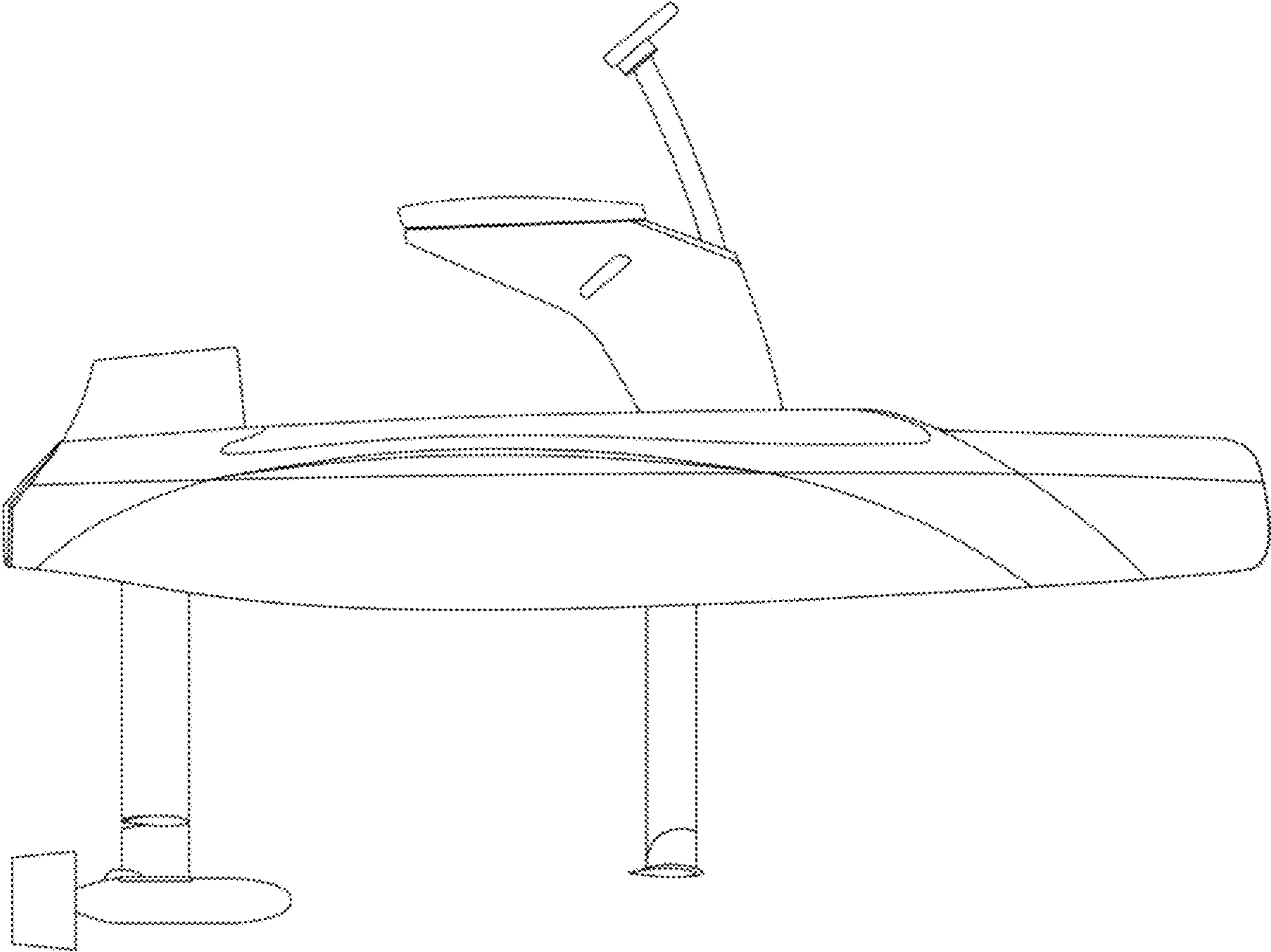
1.4



1.5



1.6



1.7

