



US00D868666S

(12) **United States Design Patent**
Zolotuhin

(10) **Patent No.:** **US D868,666 S**

(45) **Date of Patent:** **** Dec. 3, 2019**

(54) **PONTOON BOAT WITH ELEVATED FRONT DECK AND WAVE GUARD**

(71) Applicant: **Mihail Zolotuhin**, Sandy, UT (US)

(72) Inventor: **Mihail Zolotuhin**, Sandy, UT (US)

(**) Term: **15 Years**

(21) Appl. No.: **29/601,860**

(22) Filed: **Apr. 26, 2017**

(51) **LOC (12) Cl.** **12-06**

(52) **U.S. Cl.**
USPC **D12/300**

(58) **Field of Classification Search**
USPC D12/300-318; D21/542-547
CPC B63B 35/34; B63B 35/36; B63B 35/38;
B63B 35/04

See application file for complete search history.

(56) **References Cited**

U.S. PATENT DOCUMENTS

4,562,786	A *	1/1986	Pruonto	B63B 1/121
					114/361
D298,310	S *	11/1988	Robbins	D12/306
5,105,755	A *	4/1992	Davidson	B63B 17/04
					114/120
D341,811	S *	11/1993	Pepper	D12/300
D369,337	S *	4/1996	Stevens	D12/316

(Continued)

FOREIGN PATENT DOCUMENTS

CA	2414545	A1	7/2004
DE	3924362	A1	1/1991

(Continued)

Primary Examiner — Cynthia M. Chin

(74) *Attorney, Agent, or Firm* — Pate Peterson PLLC;
Brett Peterson

(57) **CLAIM**

The ornamental design for a pontoon boat with elevated front deck and wave guard, as shown and described.

DESCRIPTION

FIG. 1 is an upper isometric view of a pontoon boat with elevated front deck and wave guard.

FIG. 2 is a lower isometric view of the pontoon boat with elevated front deck and wave guard of FIG. 1.

FIG. 3 is a top side view of the pontoon boat with elevated front deck and wave guard of FIG. 1.

FIG. 4 is a bottom side view of the pontoon boat with elevated front deck and wave guard of FIG. 1.

FIG. 5 is a left side view of the pontoon boat with elevated front deck and wave guard of FIG. 1.

FIG. 6 is a right side view of the pontoon boat with elevated front deck and wave guard of FIG. 1.

FIG. 7 is a front side view of the pontoon boat with elevated front deck and wave guard of FIG. 1.

FIG. 8 is a rear side view of the pontoon boat with elevated front deck and wave guard of FIG. 1.

FIG. 9 is an upper isometric view of another pontoon boat with elevated front deck and wave guard.

FIG. 10 is a lower isometric view of the pontoon boat with elevated front deck and wave guard of FIG. 9.

FIG. 11 is a top side view of the pontoon boat with elevated front deck and wave guard of FIG. 9.

FIG. 12 is a bottom side view of the pontoon boat with elevated front deck and wave guard of FIG. 9.

FIG. 13 is a left side view of the pontoon boat with elevated front deck and wave guard of FIG. 9.

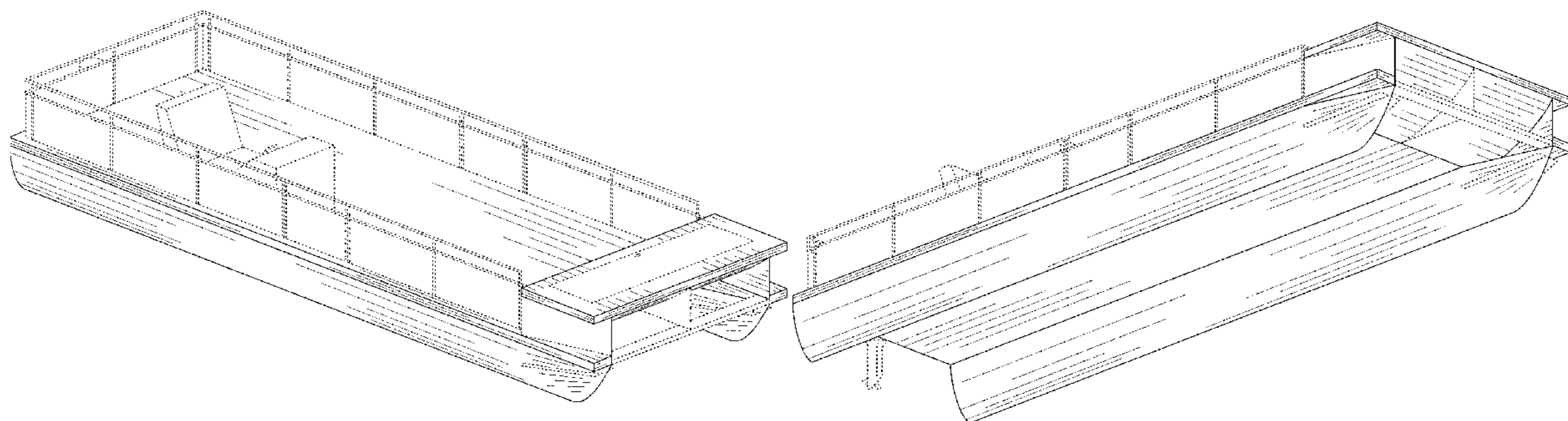
FIG. 14 is a right side view of the pontoon boat with elevated front deck and wave guard of FIG. 9.

FIG. 15 is a front side view of the pontoon boat with elevated front deck and wave guard of FIG. 9; and,

FIG. 16 is a rear side view of the pontoon boat with elevated front deck and wave guard of FIG. 9.

The broken lines are for the purpose of illustrating portions of the article that form no part of the claim.

1 Claim, 16 Drawing Sheets



US D868,666 S

Page 2

(56)

References Cited

U.S. PATENT DOCUMENTS

5,540,169 A * 7/1996 Davis B63B 7/02
114/352
5,706,752 A * 1/1998 Menne, Jr. B63B 17/02
114/361
5,746,146 A 5/1998 Bixel
6,209,477 B1 * 4/2001 Biedenweg B60J 7/1282
114/361
D516,495 S 3/2006 Menne
7,028,632 B2 4/2006 Blank
7,107,926 B2 * 9/2006 Fishburn B63B 17/02
114/361
7,484,472 B1 * 2/2009 Highfield B63B 17/02
114/361
D641,747 S 7/2011 Gisborne
8,056,496 B1 * 11/2011 Bussa B63B 27/146
114/362
8,770,136 B2 7/2014 Larson
9,302,740 B2 4/2016 O'Neal
9,475,548 B1 10/2016 Slocum
D773,373 S * 12/2016 Mayes D12/300
D780,087 S * 2/2017 Deurr D12/318
9,586,655 B1 3/2017 Butler
9,611,008 B1 4/2017 O'Neal
9,783,267 B1 10/2017 Alexander
9,914,507 B2 3/2018 Falahee

10,017,235 B2 7/2018 Pappas
10,308,320 B1 6/2019 O'Neal
2007/0022938 A1 * 2/2007 Fishburn B63B 17/04
114/364
2007/0221114 A1 * 9/2007 Schaaf B63B 17/02
114/361
2007/0295255 A1 * 12/2007 Stryjewski B63B 7/04
114/61.22
2007/0295264 A1 * 12/2007 Fishburn B63B 7/04
114/364
2010/0229775 A1 * 9/2010 Cochran B63B 35/34
114/61.1
2013/0025519 A1 * 1/2013 Cooney B63B 1/12
114/61.1
2013/0025527 A1 * 1/2013 Cooney B63J 2/08
114/363
2017/0029069 A1 * 2/2017 Deurr B63B 1/20

FOREIGN PATENT DOCUMENTS

FR 2261923 A1 9/1975
JP 2003327193 A 11/2003
JP 2010064724 A 3/2010
JP 2011152891 A 8/2011
JP 2012162116 A 8/2012
WO WO 2016/193169 A1 12/2016

* cited by examiner

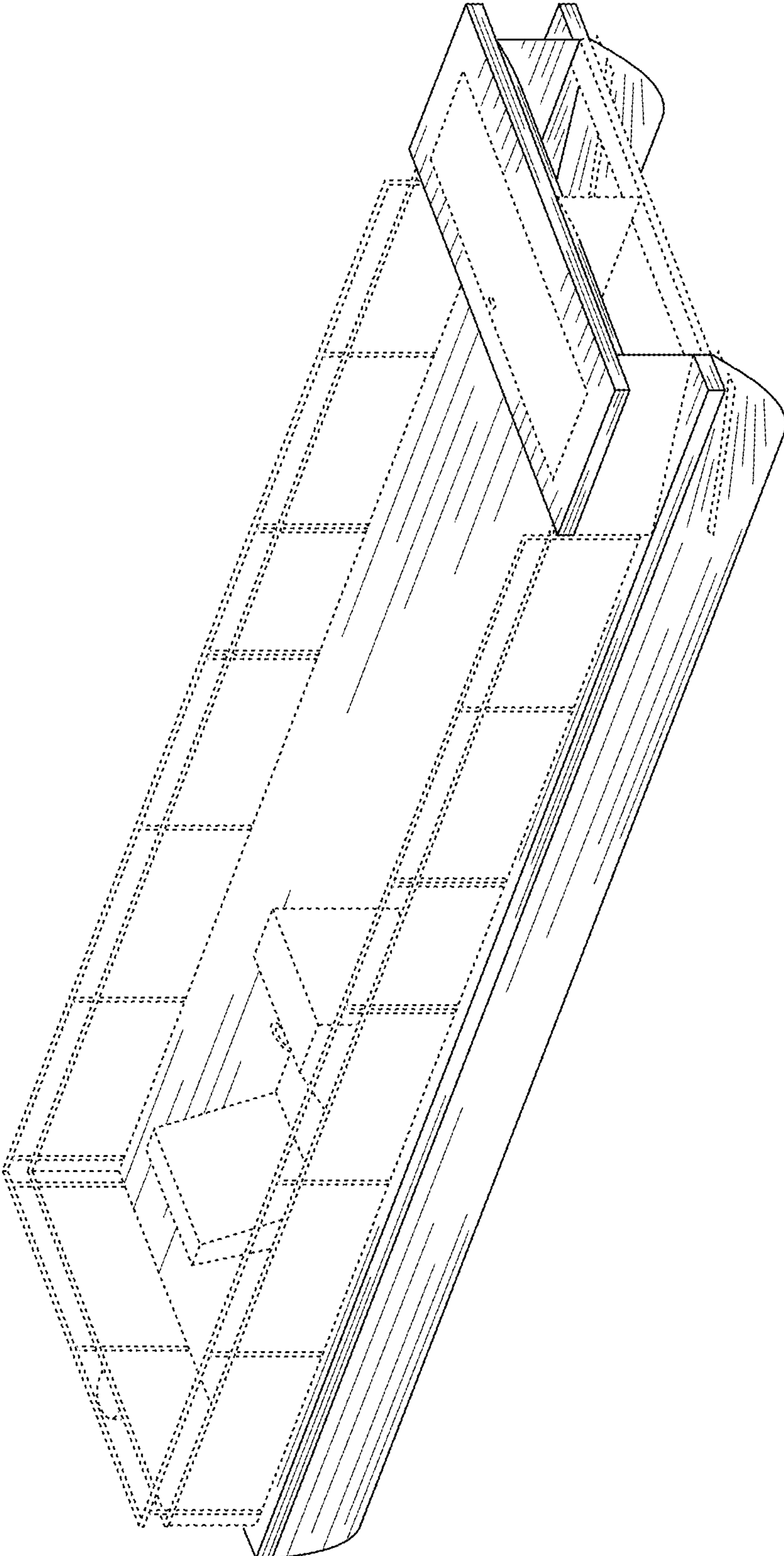


Fig. 1

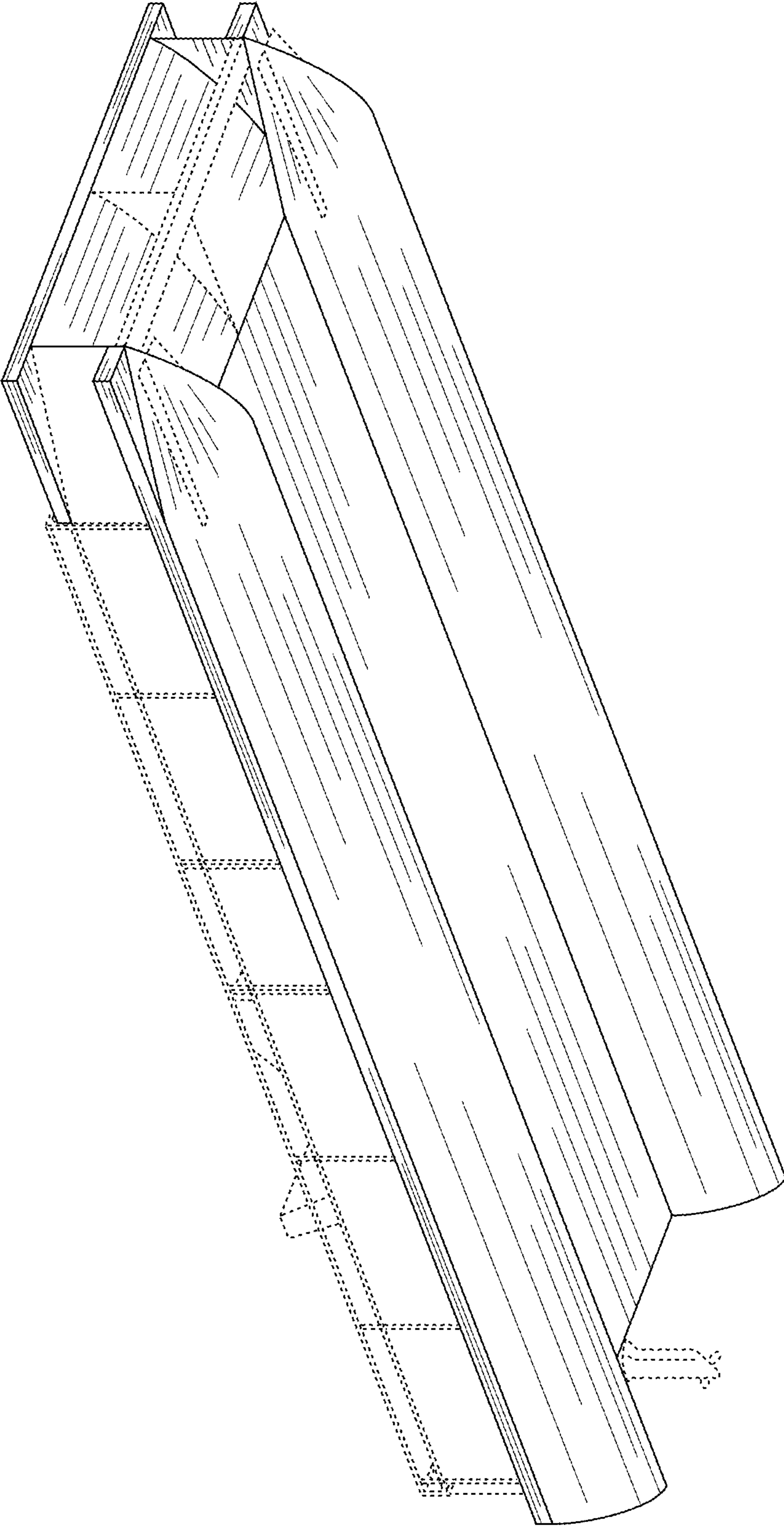


Fig. 2

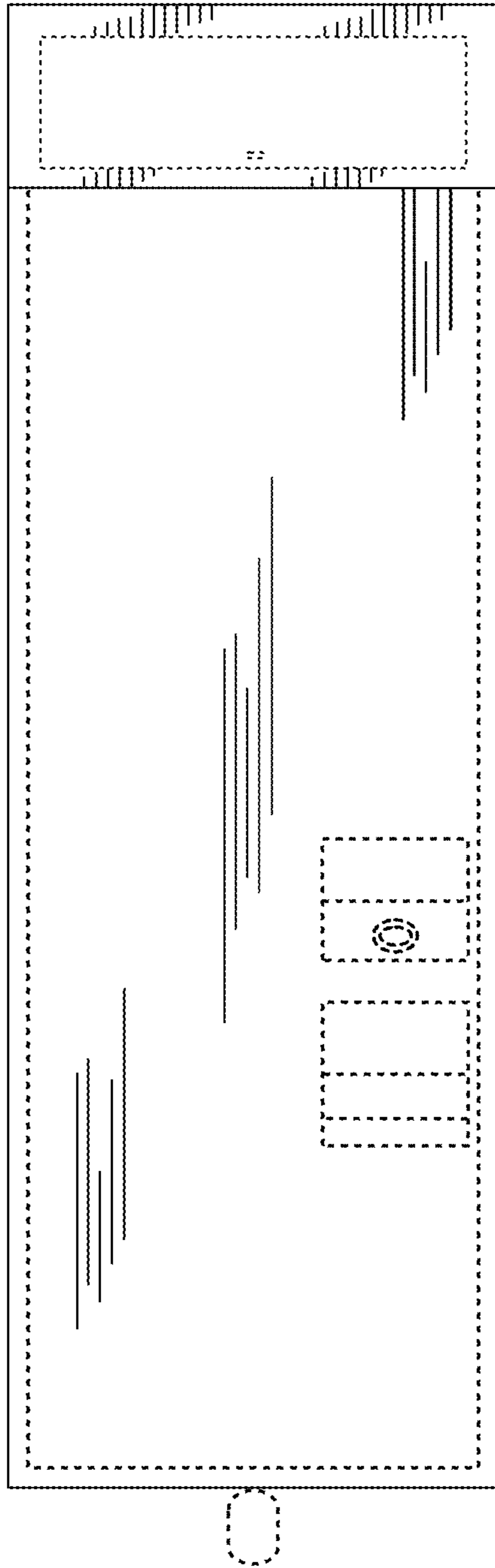


Fig. 3

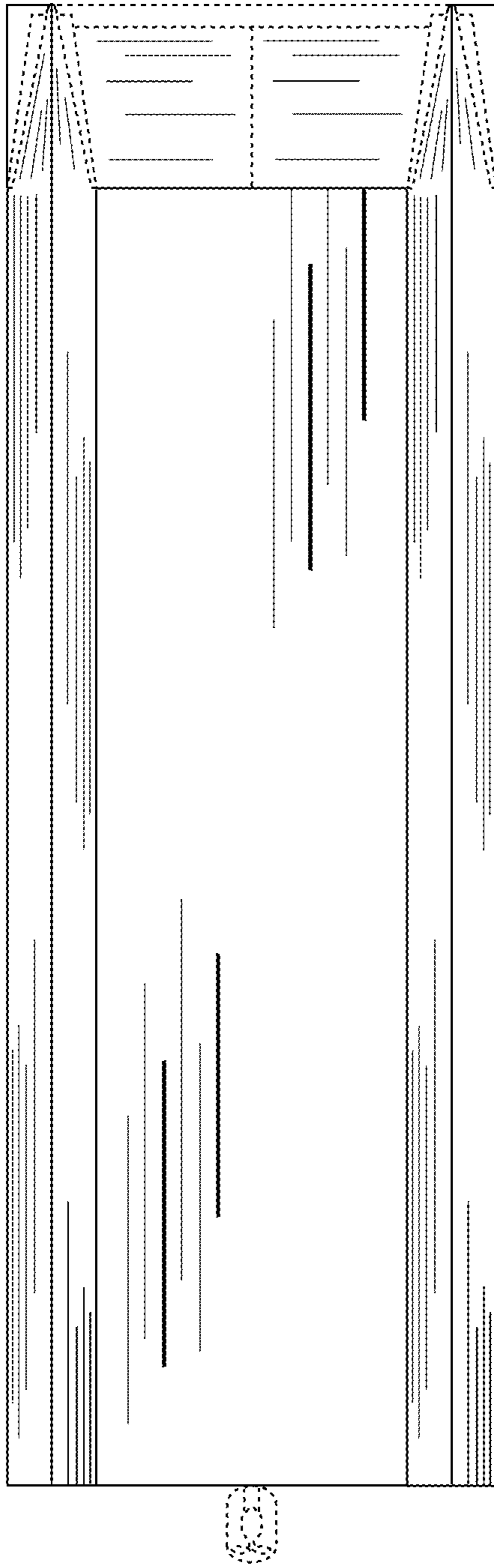


Fig. 4

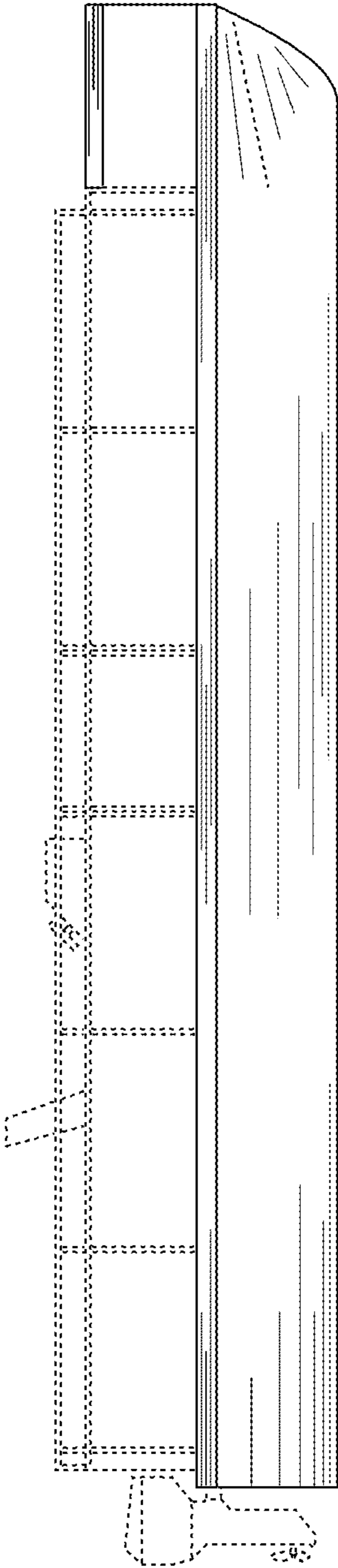


Fig. 5

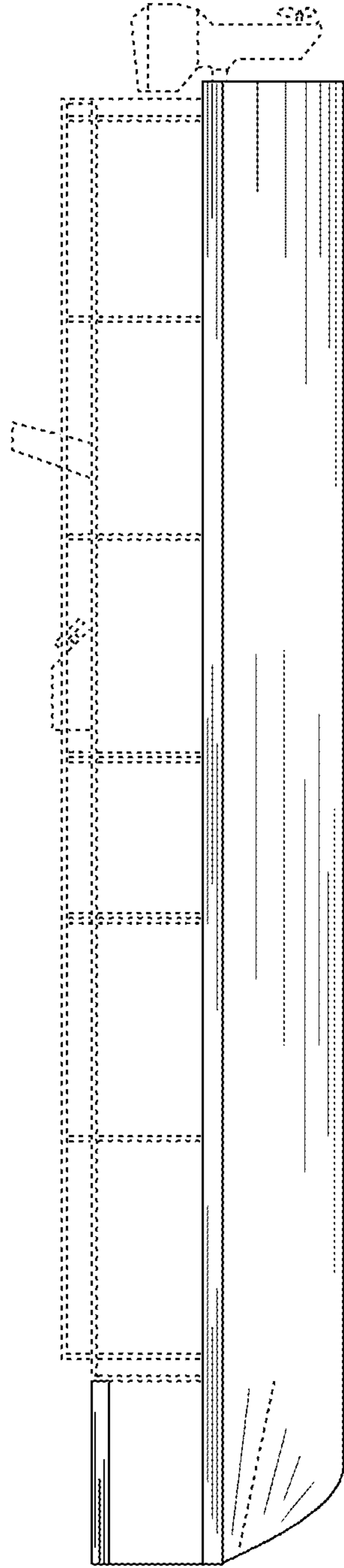


Fig. 6

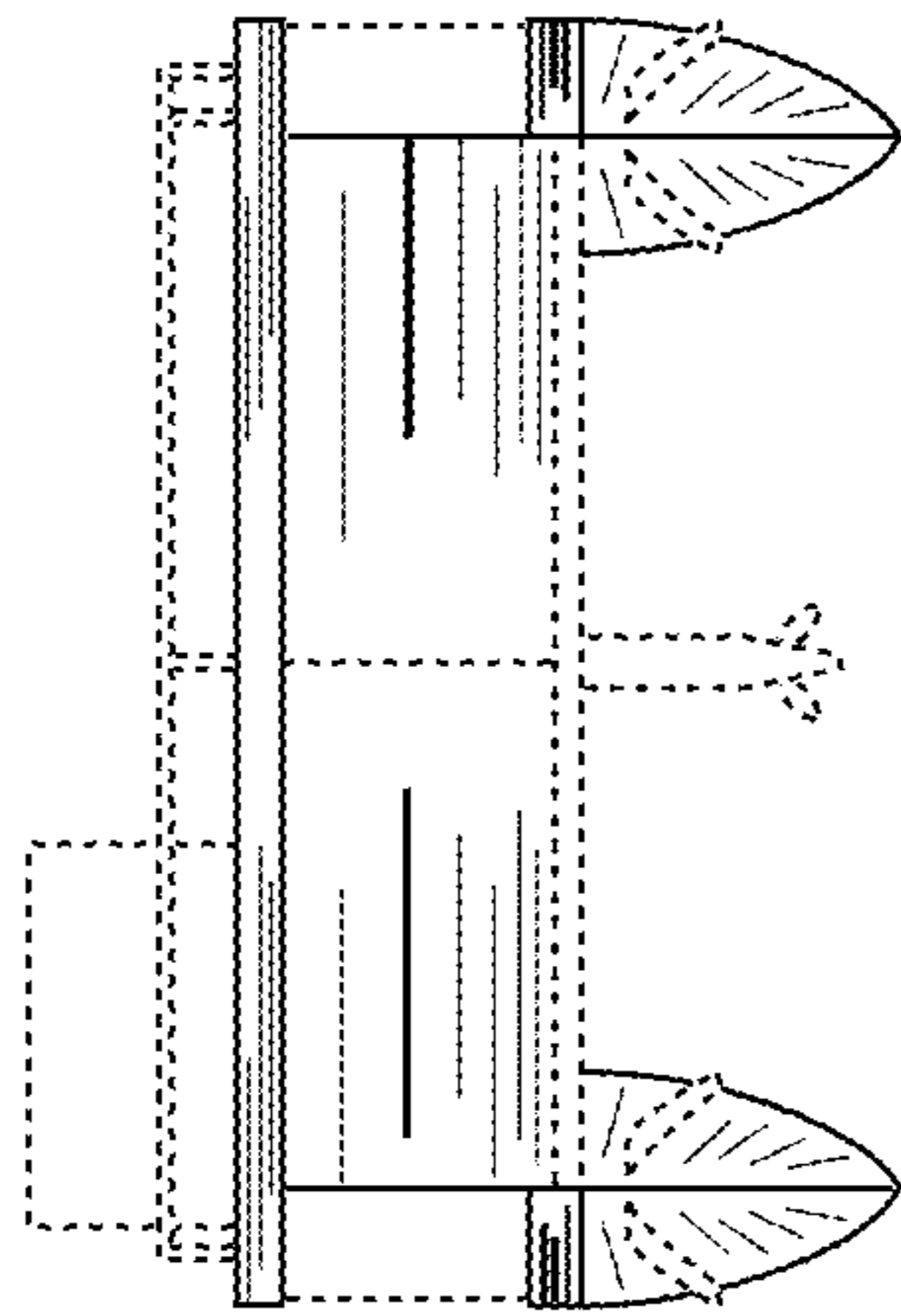


Fig. 7

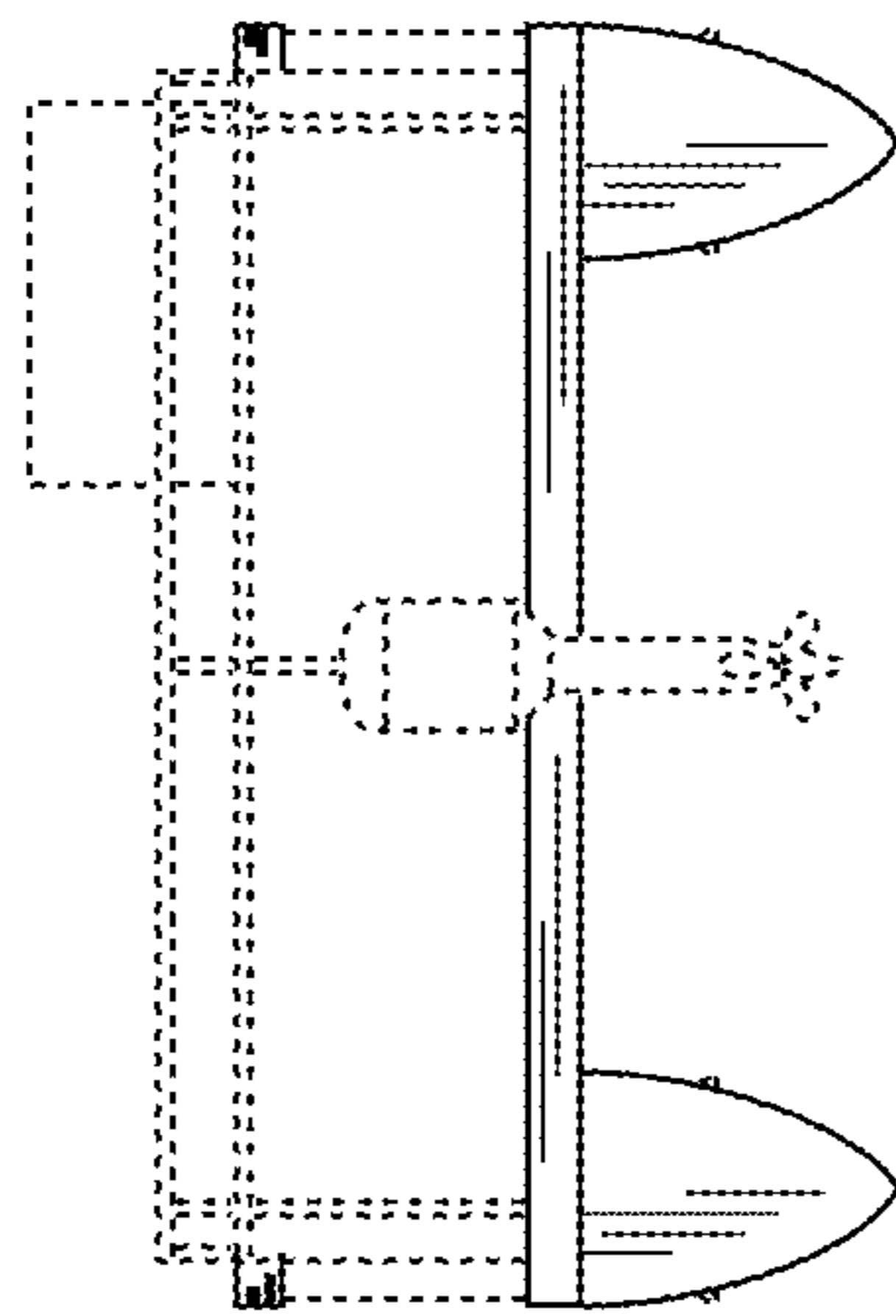


Fig. 8

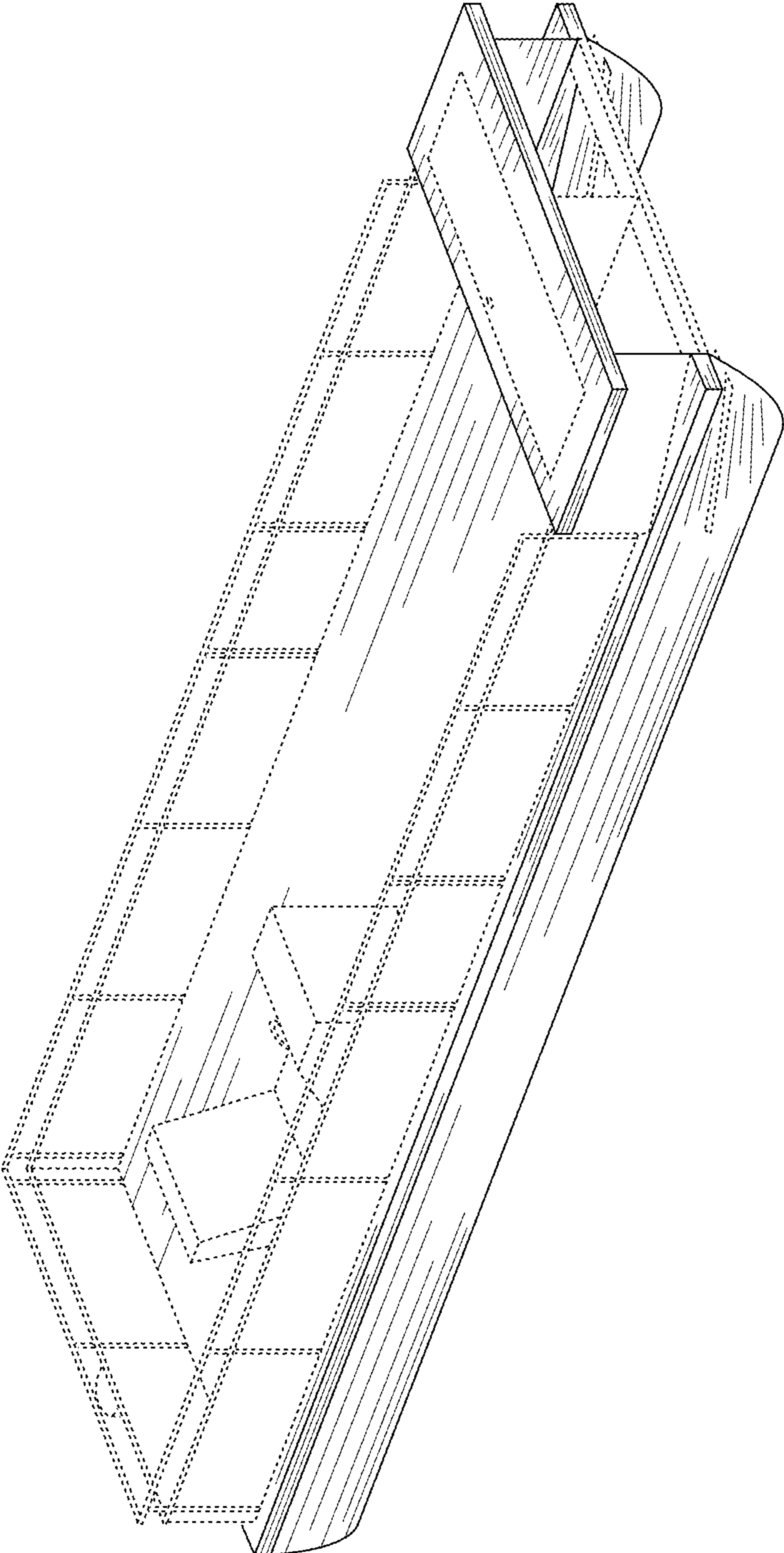


Fig. 9

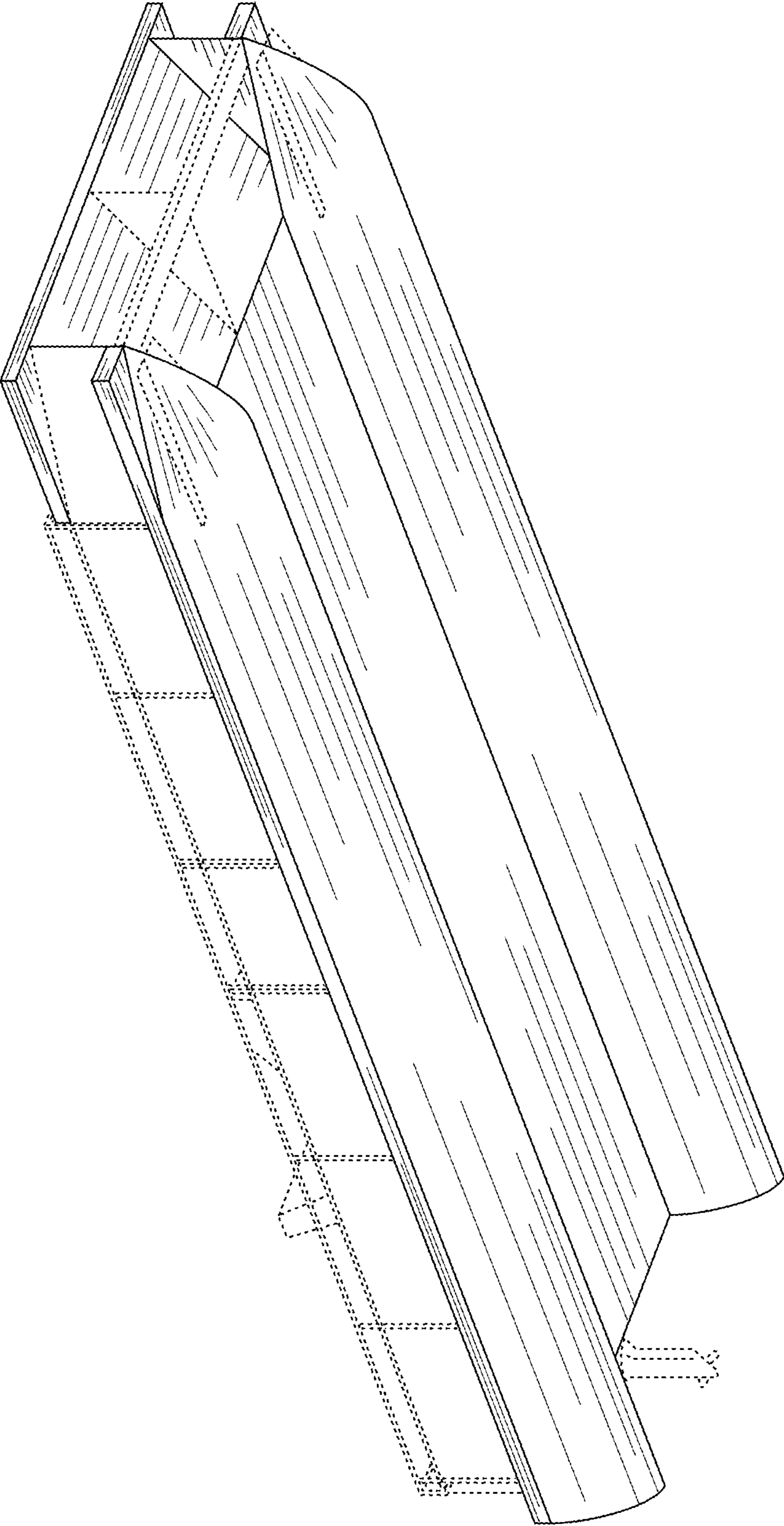


Fig. 10

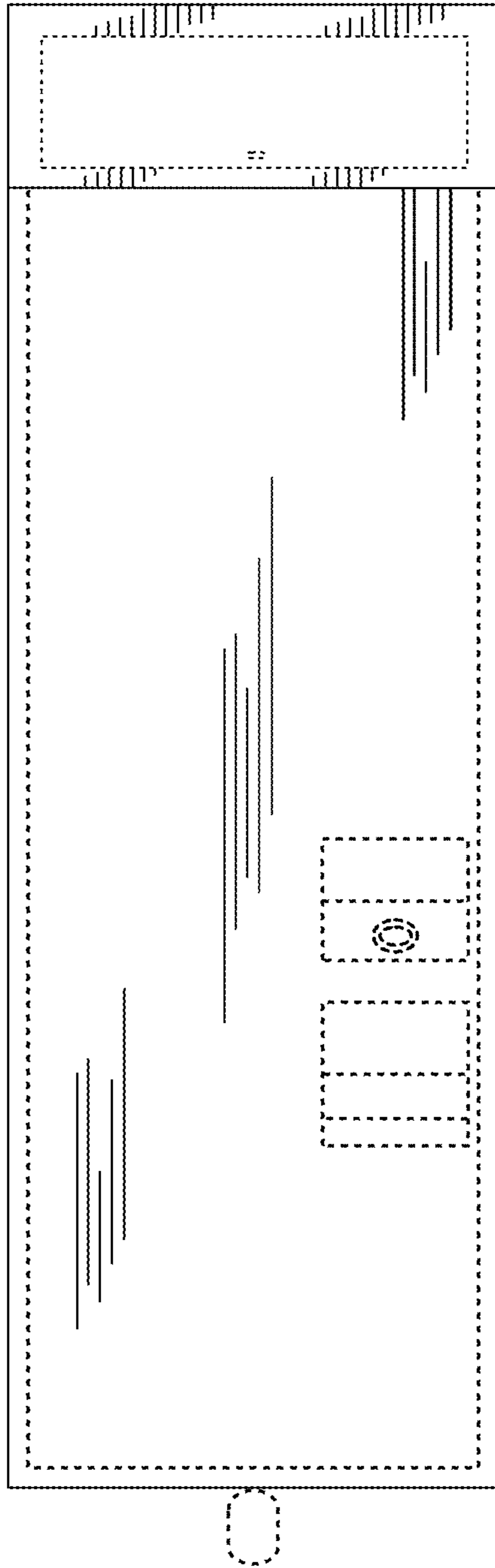


Fig. 11

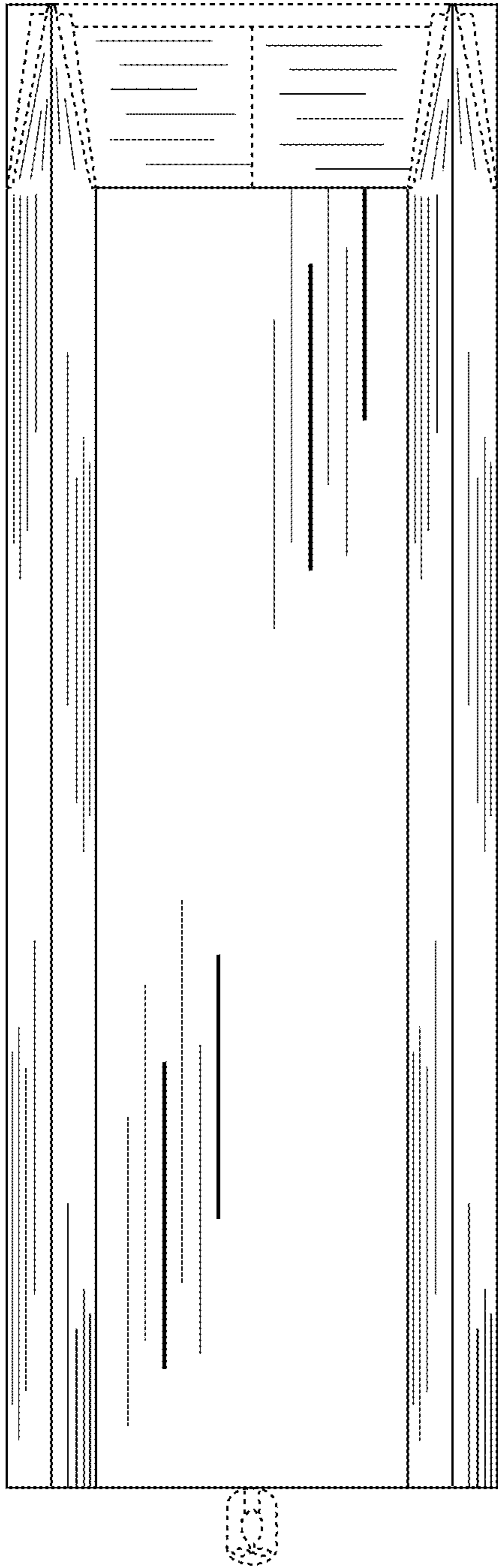


Fig. 12

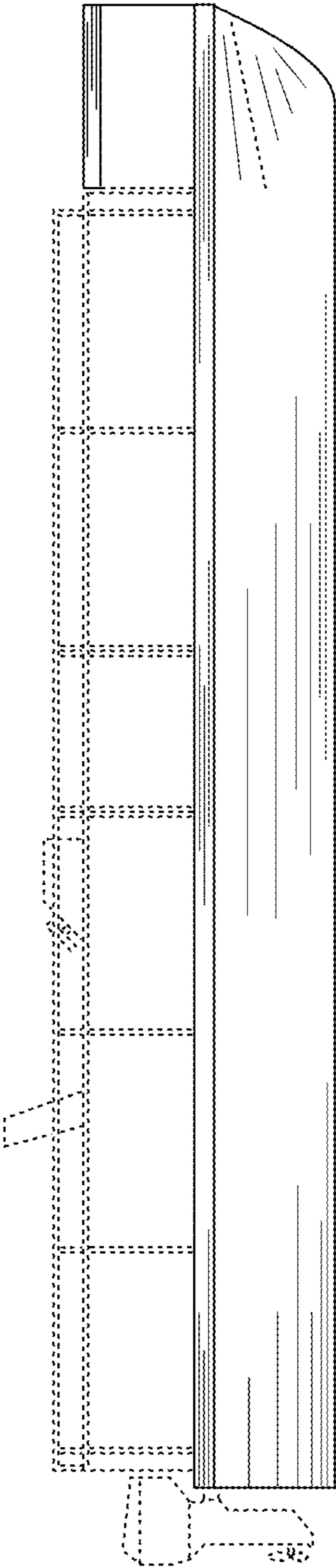


Fig. 13

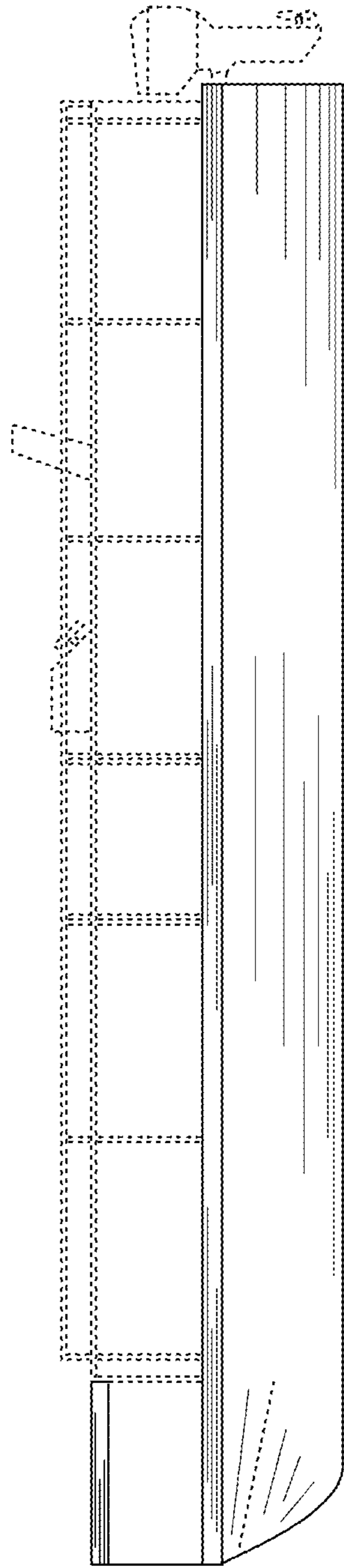


Fig. 14

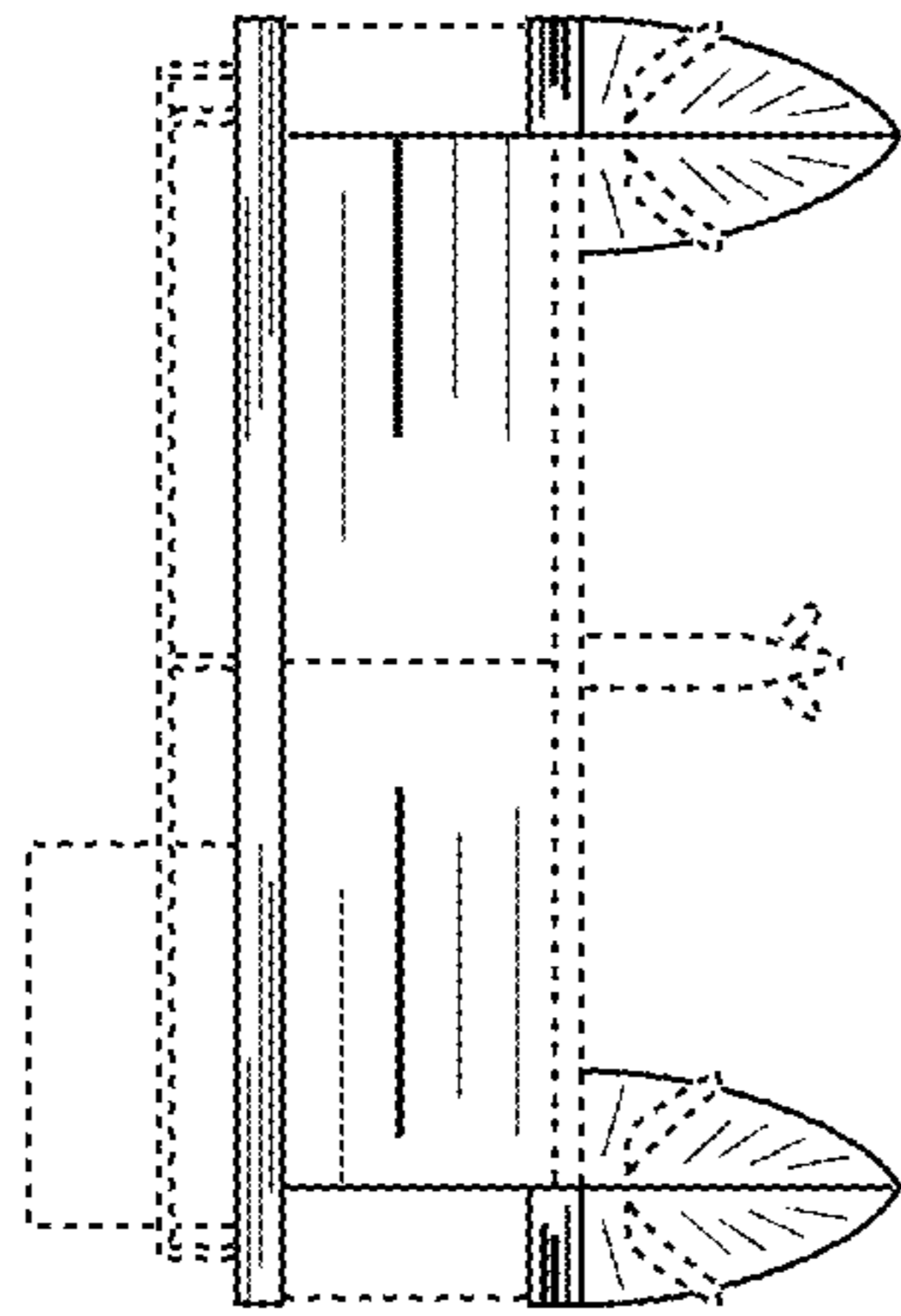


Fig. 15

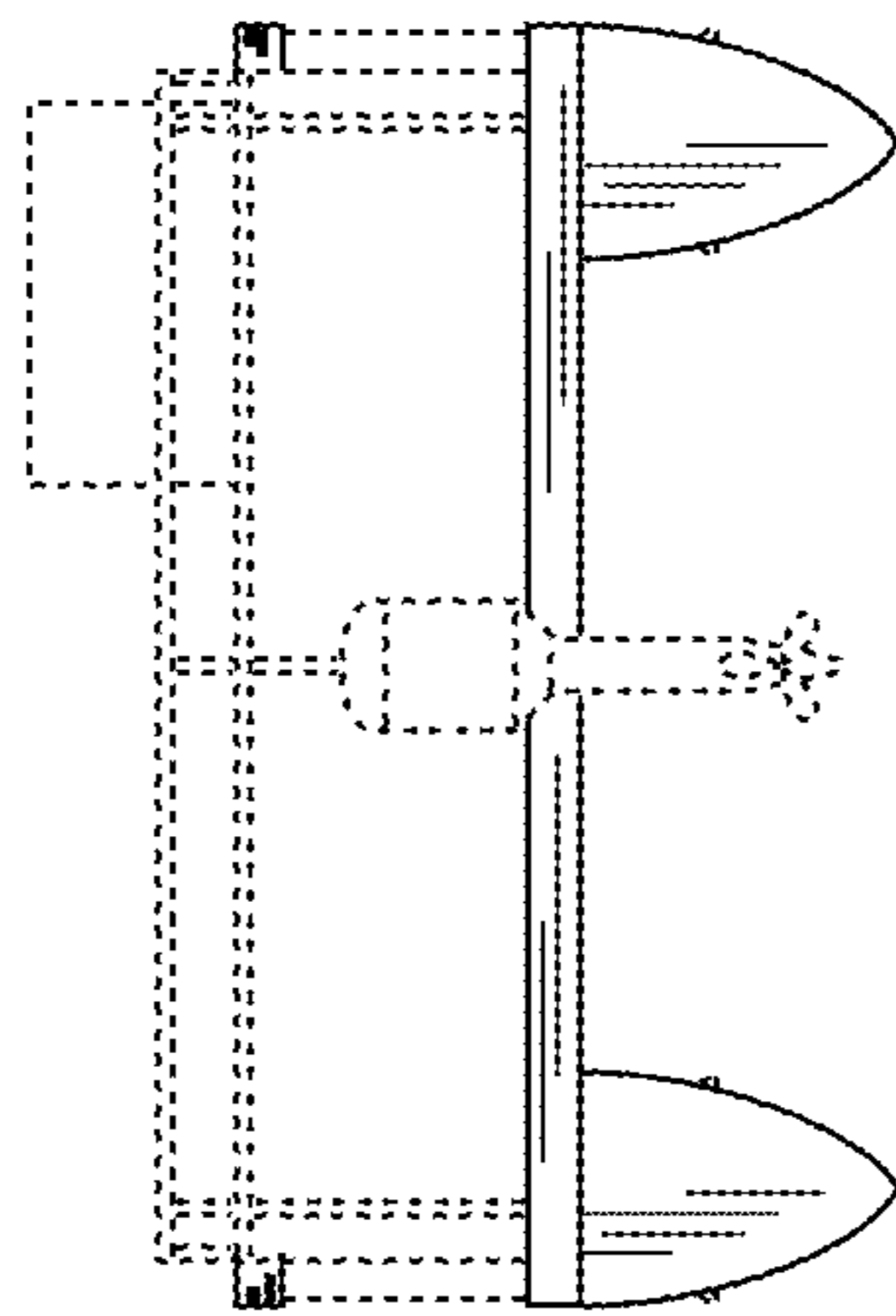


Fig. 16