



US00D868665S

(12) **United States Design Patent**
Rike

(10) **Patent No.:** **US D868,665 S**

(45) **Date of Patent:** **** Dec. 3, 2019**

(54) **CYLINDER SUPPORT SYSTEM**

2,410,182 A * 10/1946 Prior B60K 15/067
248/315

(71) Applicant: **WORTHINGTON INDUSTRIES, INC.**, Columbus, OH (US)

(Continued)

(72) Inventor: **James B. Rike**, Mooresville, IN (US)

FOREIGN PATENT DOCUMENTS

(73) Assignee: **WORTHINGTON INDUSTRIES, INC.**, Columbus, OH (US)

WO 199623721 8/1996
WO 200168446 9/2001

(**) Term: **15 Years**

(Continued)

(21) Appl. No.: **29/678,488**

Primary Examiner — T Chase Nelson

(22) Filed: **Jan. 29, 2019**

Assistant Examiner — Ania Aman

(74) *Attorney, Agent, or Firm* — Tucker Ellis LLP

Related U.S. Application Data

(63) Continuation of application No. 29/641,843, filed on Mar. 26, 2018, now Pat. No. Des. 849,662, which is a continuation-in-part of application No. 29/640,271, filed on Mar. 13, 2018, now Pat. No. Des. 840,908, and a continuation-in-part of application No. 29/565,543, filed on May 21, 2016, now Pat. No. Des. 816,010.

(57) **CLAIM**

The ornamental design for a cylinder support system, as shown and described.

DESCRIPTION

(51) **LOC (12) Cl.** **12-06**

(52) **U.S. Cl.**

USPC **D12/223**; D8/396; D12/15

(58) **Field of Classification Search**

USPC D15/5; D23/393; D12/223, 217, 220, D12/95, 218, 181, 96, 97; D8/380, 373, D8/354, 356, 394–396, 349, 363, 355, D8/364, 366, 371, 381

CPC B60K 15/07; B60K 15/03006; B60K 15/063; B60K 15/067; B60R 19/04; B60R 19/023; B60R 19/42; B60R 19/24; B60R 19/48

See application file for complete search history.

FIG. 1 is a perspective view of a cylinder support system showing a new design;

FIG. 2 is a left side view of the cylinder support system illustrated in FIG. 1;

FIG. 3 is a front view of the cylinder support system illustrated in FIG. 1;

FIG. 4 is a right side view of the cylinder support system illustrated in FIG. 1;

FIG. 5 is a rear view of the cylinder support system illustrated in FIG. 1;

FIG. 6 is a top view of the cylinder support system illustrated in FIG. 1; and,

FIG. 7 is a bottom view of the cylinder support system illustrated in FIG. 1

In the drawings, the broken lines depict unclaimed environmental subject matter only and form no part of the claimed design.

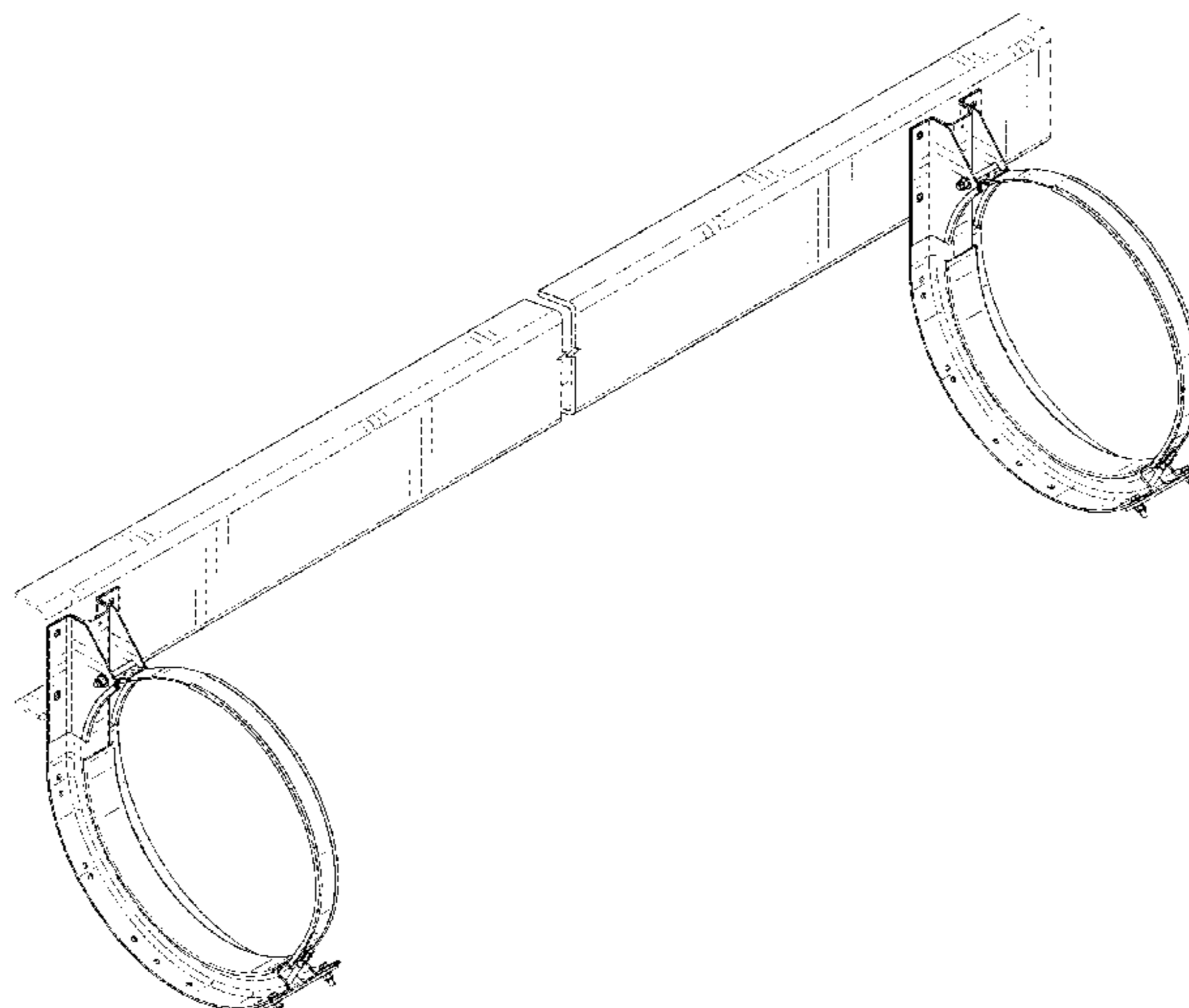
The cut away portions in the drawings indicate the appearance of any portion of the article between the cut away lines forms no part of the claimed design.

(56) **References Cited**

U.S. PATENT DOCUMENTS

845,578 A 2/1907 Austin
2,357,148 A 8/1944 Turner

1 Claim, 7 Drawing Sheets



(56)

References Cited

U.S. PATENT DOCUMENTS

3,227,410 A * 1/1966 McCuen B60K 15/00
224/401
D204,313 S 4/1966 Engman et al.
D211,163 S * 5/1968 Mendez D12/95
D244,255 S * 5/1977 Snyder D8/355
D253,091 S 10/1979 Fritz
D273,606 S 4/1984 Landry
D294,994 S 3/1988 Burgett
4,925,235 A 5/1990 Fingerle
5,054,799 A 10/1991 Fingerle
RE33,934 E 5/1992 Oetiker
5,810,309 A 9/1998 Augustine
D414,405 S 9/1999 Tompkins
5,996,207 A 12/1999 Brown et al.
6,029,989 A * 2/2000 Stuart B60R 3/00
182/150
6,042,071 A 3/2000 Watanabe
6,053,533 A 4/2000 Osborn
D442,538 S 5/2001 Wagner
6,257,360 B1 7/2001 Wozniak et al.
6,347,678 B1 2/2002 Osborn
6,402,198 B2 6/2002 Gollungberg
6,634,321 B2 10/2003 Hussain et al.
6,896,318 B2 * 5/2005 Marrs B62D 27/02
280/833
7,117,896 B2 10/2006 Eberling
7,305,836 B2 12/2007 Egan
D591,324 S 4/2009 Sukhov
D632,555 S 2/2011 Sarkissian
D646,214 S 2/2011 Sarkissian
D646,618 S 10/2011 Mulanon
D646,619 S 10/2011 Mulanon
D655,669 S 3/2012 Matijevich
D704,900 S 5/2014 Childs et al.
8,944,469 B2 2/2015 Mulanon
9,033,178 B2 5/2015 White
9,057,483 B2 6/2015 Espinosa-Loza et al.
9,120,372 B2 9/2015 Sloan
9,145,052 B2 9/2015 De Biasi
9,193,261 B2 11/2015 Sloan et al.
9,217,519 B2 12/2015 Masters et al.

9,217,538 B2 12/2015 Griffith et al.
9,234,625 B2 1/2016 Sirosh
9,249,931 B2 2/2016 Morales et al.
9,266,642 B2 2/2016 Prakash et al.
9,434,333 B2 9/2016 Sloan
D782,931 S 4/2017 Takakuwa
9,756,780 B2 9/2017 Blunier
9,908,406 B2 * 3/2018 Rike B60K 15/07
9,909,535 B2 * 3/2018 Sirosh F02M 21/0221
2002/0005312 A1 1/2002 Gollungberg
2003/0001059 A1 1/2003 Kim et al.
2003/0029977 A1 2/2003 Kim
2006/0006635 A1 1/2006 Sonderegger
2006/0061081 A1 3/2006 Kresse et al.
2007/0170180 A1 7/2007 Watanabe
2009/0114784 A1 5/2009 Tam
2010/0320727 A1 * 12/2010 Haut B62D 21/20
280/414.5
2012/0161430 A1 * 6/2012 Mulanon F17C 13/084
280/834
2013/0069357 A1 3/2013 Green
2013/0306695 A1 11/2013 Guaresimo
2014/0174159 A1 6/2014 Kim
2014/0175782 A1 6/2014 Sloan
2015/0096977 A1 4/2015 Sirosh et al.
2015/0097364 A1 * 4/2015 Moloney B60K 15/07
280/834
2016/0082910 A1 3/2016 Sloan et al.
2016/0332514 A1 11/2016 Arold et al.
2017/0057348 A1 3/2017 Arold et al.
2017/0080798 A1 * 3/2017 Van Der Linden B60K 15/07
2017/0101003 A1 * 4/2017 Zimmerman B60K 15/07
2017/0334288 A1 11/2017 Rike
2019/0160941 A1 * 5/2019 Fujii B60K 15/07

FOREIGN PATENT DOCUMENTS

WO 2011152733 12/2011
WO 2013168080 11/2013
WO 2014149060 9/2014
WO 2015014517 2/2015
WO 2015175842 11/2015

* cited by examiner

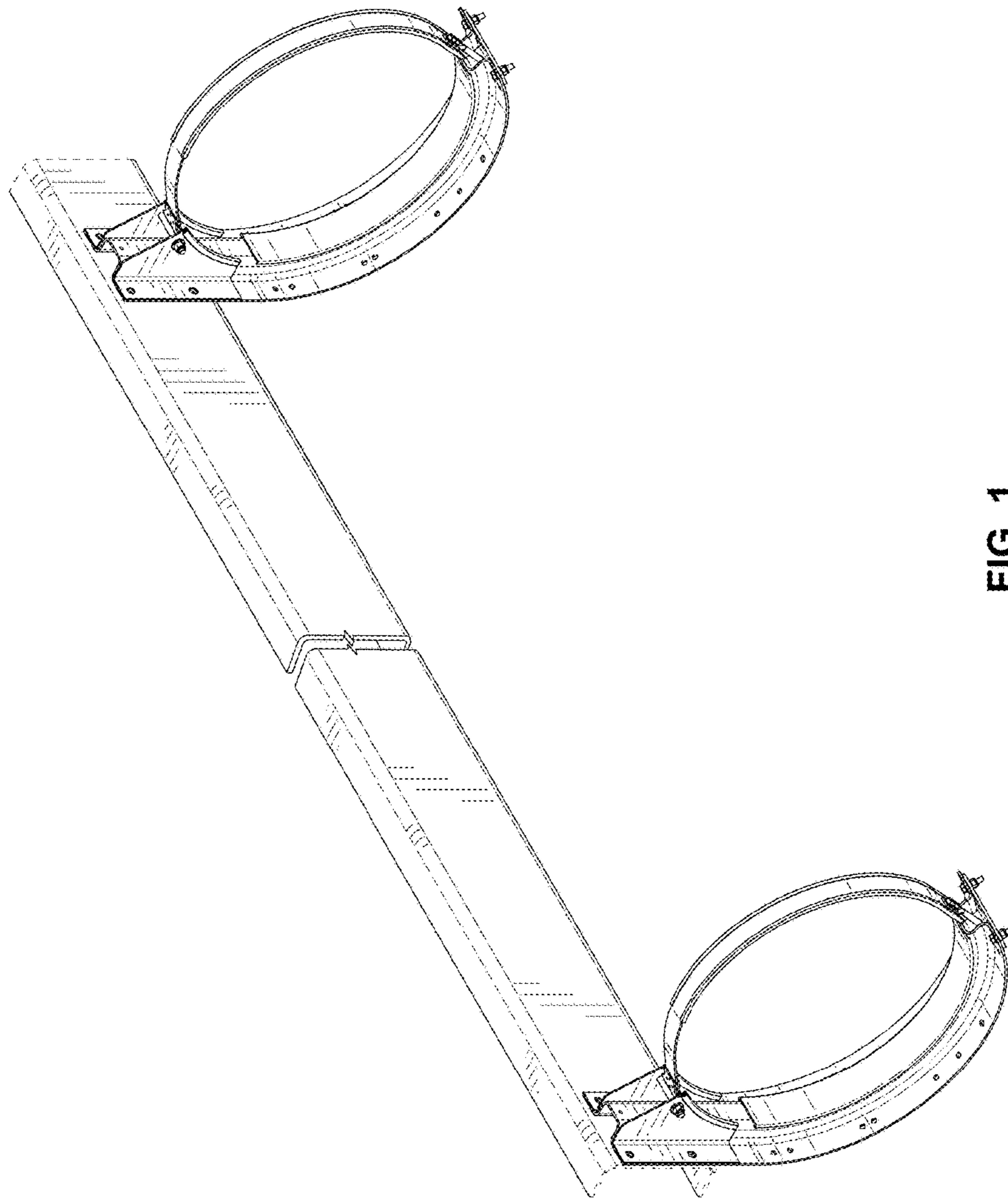


FIG. 1

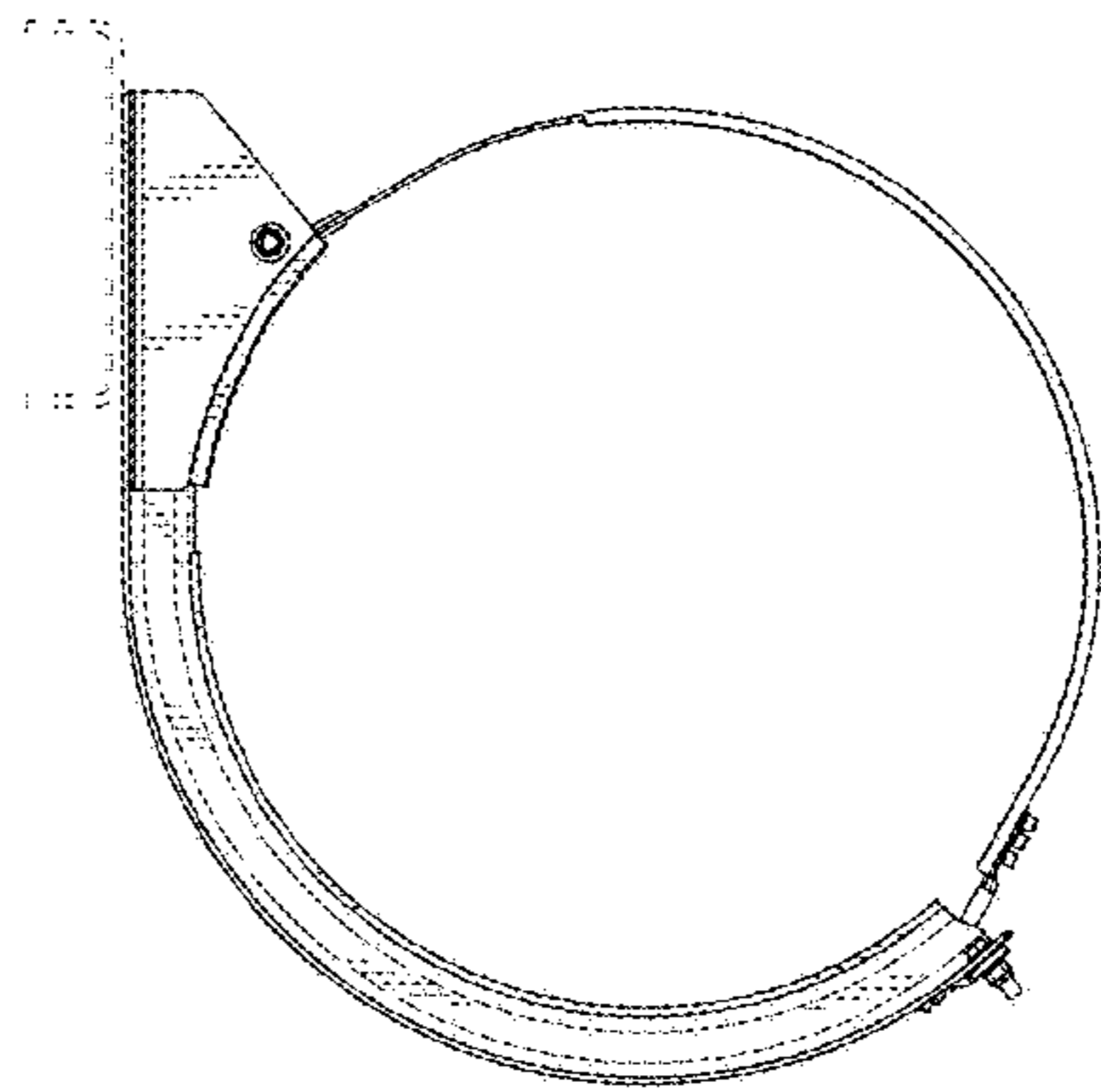


FIG. 2

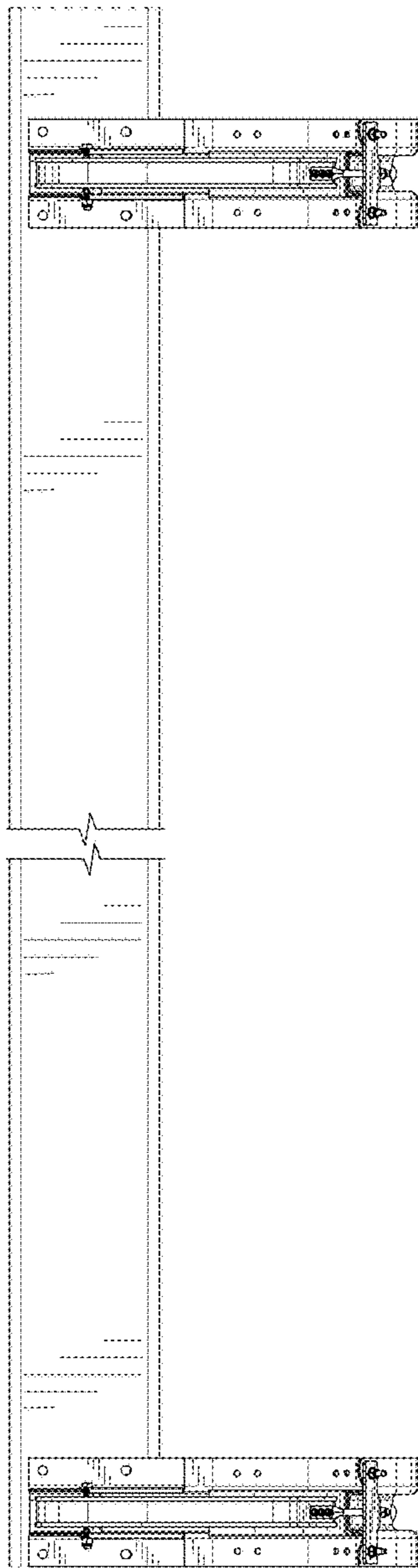


FIG. 3

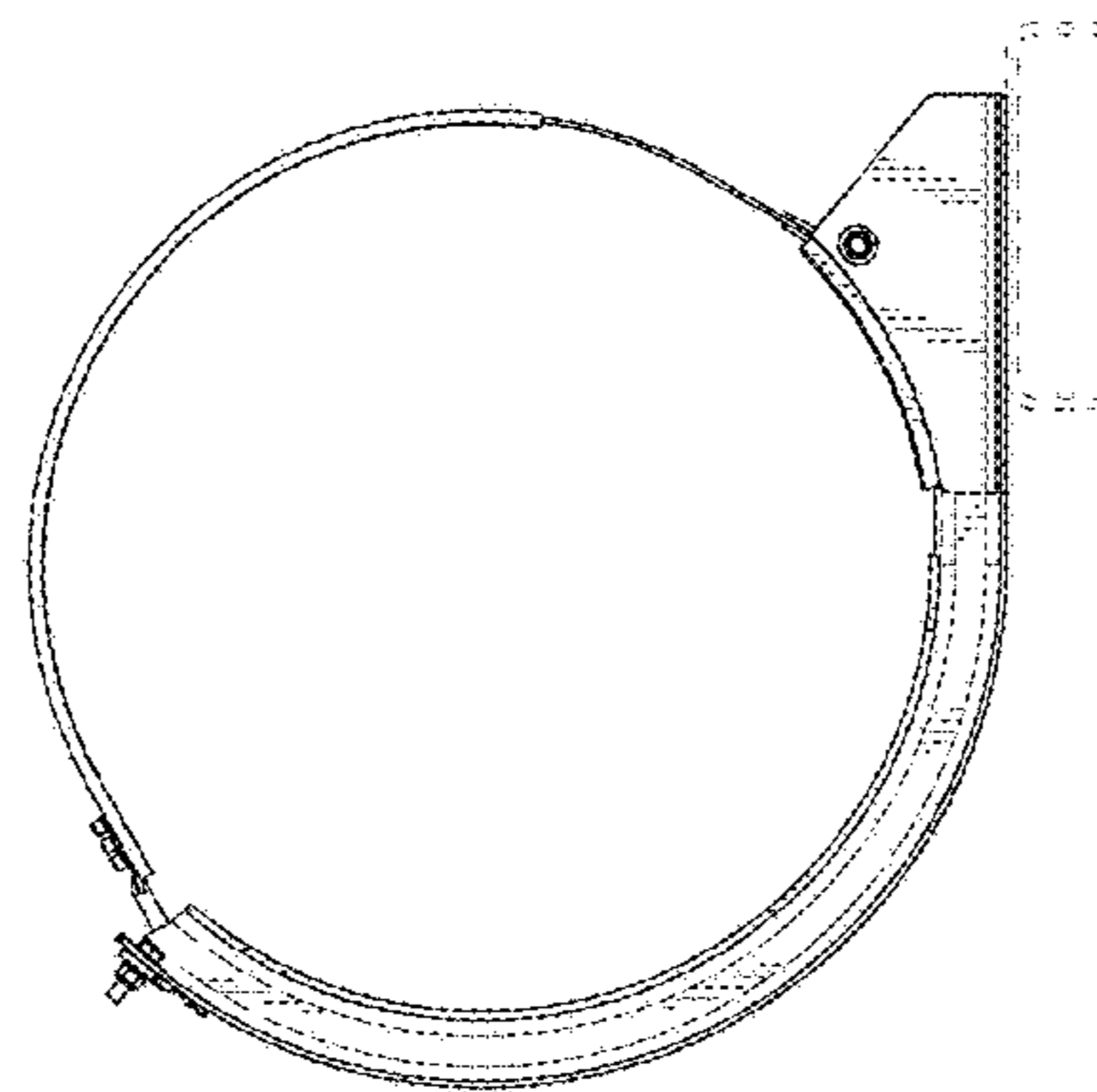


FIG. 4

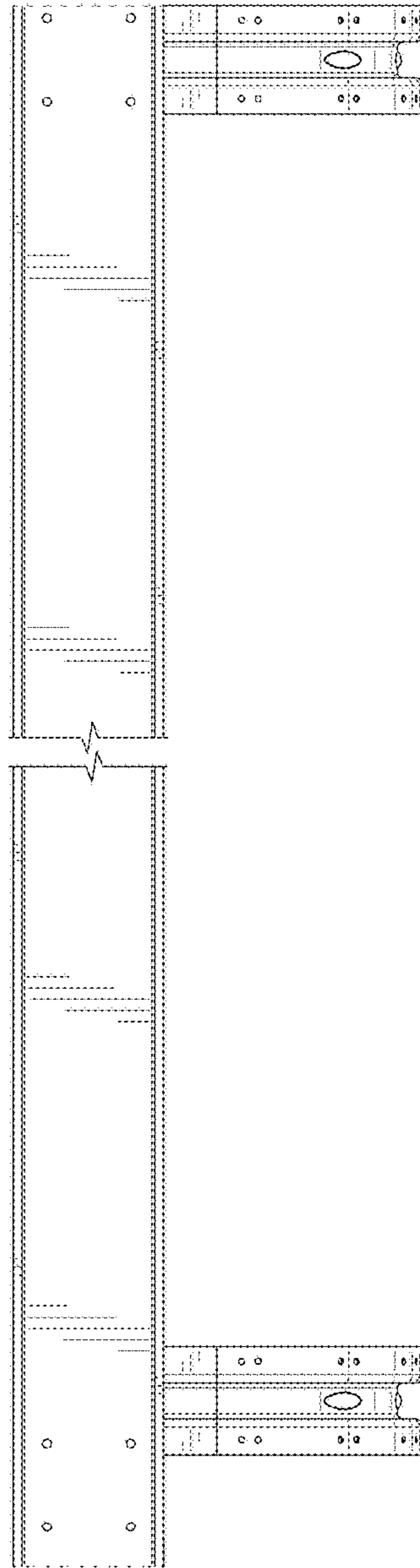


FIG. 5

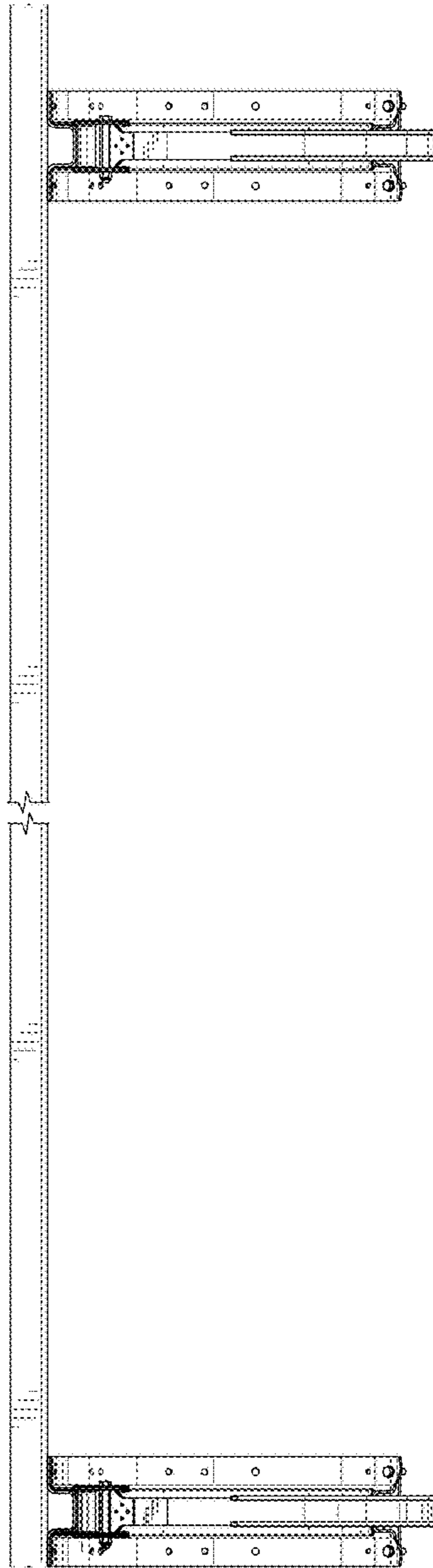


FIG. 6

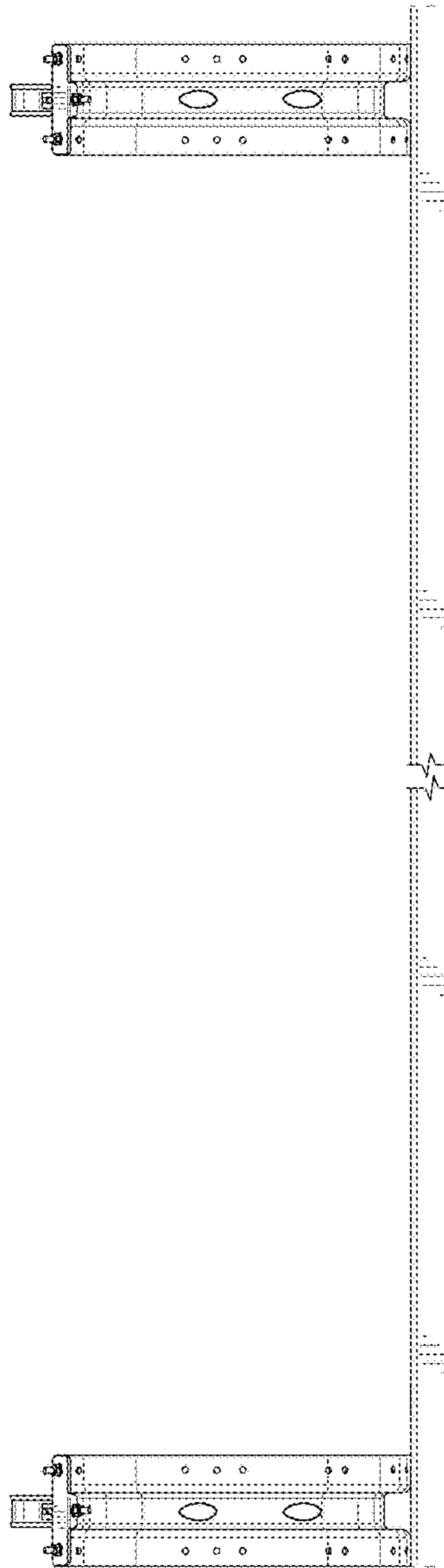


FIG. 7