



US00D868664S

(12) **United States Design Patent** (10) **Patent No.:** **US D868,664 S**
Dewitt et al. (45) **Date of Patent:** **** Dec. 3, 2019**

(54) **VEHICLE WHEEL**
(71) Applicant: **Ford Global Technologies, LLC**,
Dearborn, MI (US)
(72) Inventors: **David Dewitt**, Docklands (AU); **Todd Willing**, East Melbourne (AU); **Max Wolff**, Birmingham, MI (US)
(73) Assignee: **Ford Global Technologies, LLC**,
Dearborn, MI (US)
(**) Term: **15 Years**
(21) Appl. No.: **29/635,018**
(22) Filed: **Jan. 26, 2018**
(51) **LOC (12) Cl.** **12-16**
(52) **U.S. Cl.**
USPC **D12/211**
(58) **Field of Classification Search**
USPC D12/204–213
CPC B60B 7/00; B60B 7/02; B60B 7/04; B60B 7/01; B60B 7/06; B60B 3/02; B60B 3/04; B60B 3/06; B60B 3/10; B60B 1/00; B60B 1/08; B60B 1/10; B60B 1/12
See application file for complete search history.

(56) **References Cited**
U.S. PATENT DOCUMENTS
D542,209 S * 5/2007 Pfeiffer D12/211
D548,165 S * 8/2007 Young D12/211
D569,778 S * 5/2008 Kim D12/211
D597,012 S * 7/2009 Chung D12/211
D604,685 S * 11/2009 Zhou D12/211
D614,112 S * 4/2010 Tant D12/211
D707,167 S * 6/2014 Chung D12/209

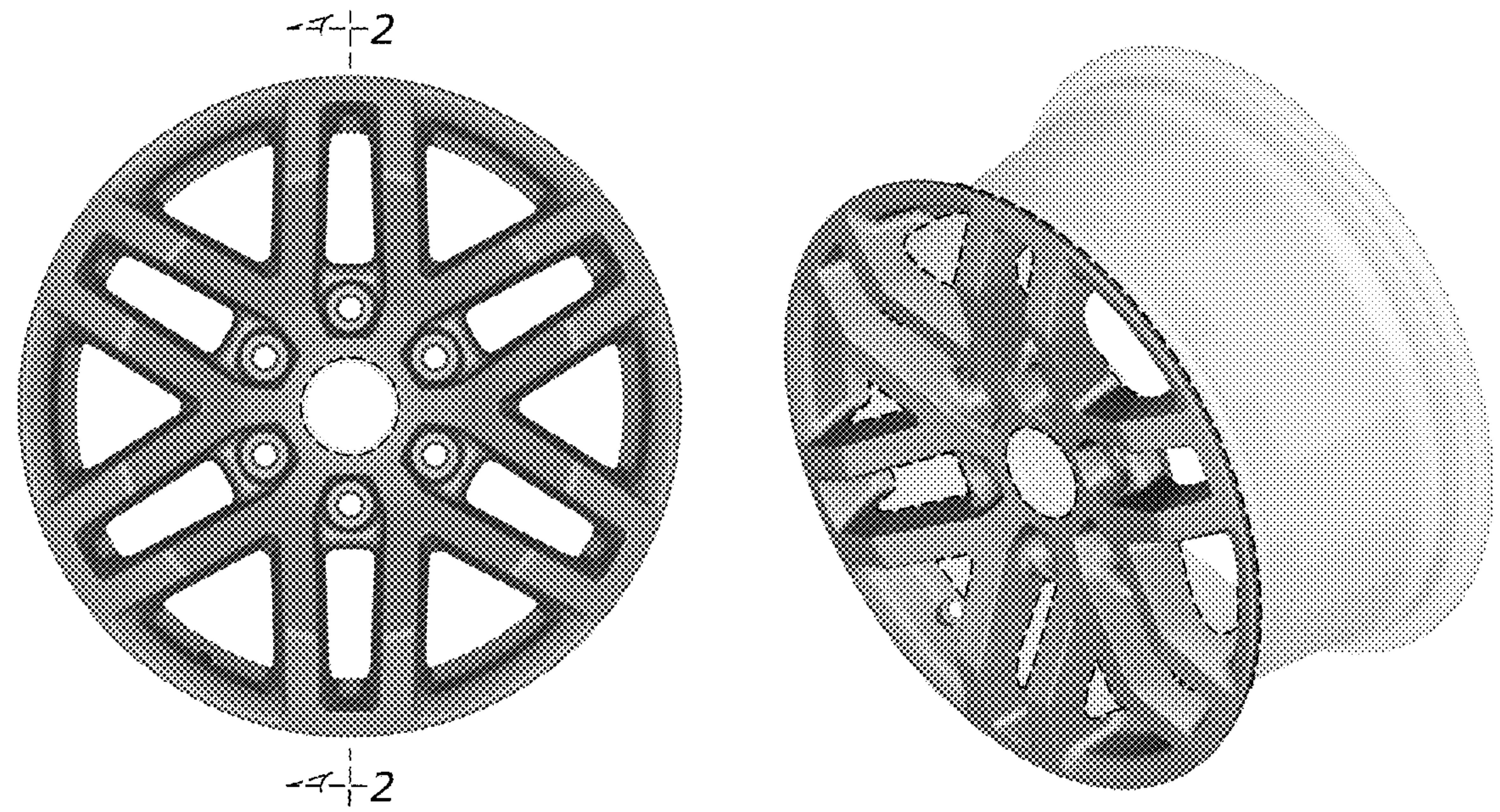
D713,316 S * 9/2014 Song D12/211
D727,829 S * 4/2015 Chung D12/211
D736,135 S * 8/2015 Grake D12/211
D753,573 S * 4/2016 Watkin D12/211
D758,279 S * 6/2016 Platto D12/211
D763,163 S * 8/2016 Chung D12/211
D765,005 S * 8/2016 Garbas D12/211
D783,488 S * 4/2017 Platto D12/209
D783,498 S * 4/2017 Platto D12/211
D784,895 S * 4/2017 Platto D12/211
D786,161 S * 5/2017 Vartola D12/211
D787,407 S * 5/2017 Chung D12/211
D792,315 S * 7/2017 Mielke D12/211
D805,991 S * 12/2017 Platto D12/209
D826,820 S * 8/2018 Bucher D12/209
D840,903 S * 2/2019 Schittko D12/211
D847,721 S * 5/2019 Chung D12/211
D848,927 S * 5/2019 Kleinschuster D12/211
D849,658 S * 5/2019 Lickliter D12/211

* cited by examiner
Primary Examiner — Stacia A Cadmus
(74) *Attorney, Agent, or Firm* — Vichit Chea

(57) **CLAIM**
The ornamental design for a vehicle wheel, as shown and described.

DESCRIPTION
FIG. 1 is a front view of a vehicle wheel showing our new design;
FIG. 2 is a cross sectional view thereof, taken along line 2-2 in FIG. 1; and,
FIG. 3 is a perspective view thereof.
Any broken lines represent boundaries of the design; the line itself and the area within, or outside the boundary form no part of the claim.

1 Claim, 3 Drawing Sheets



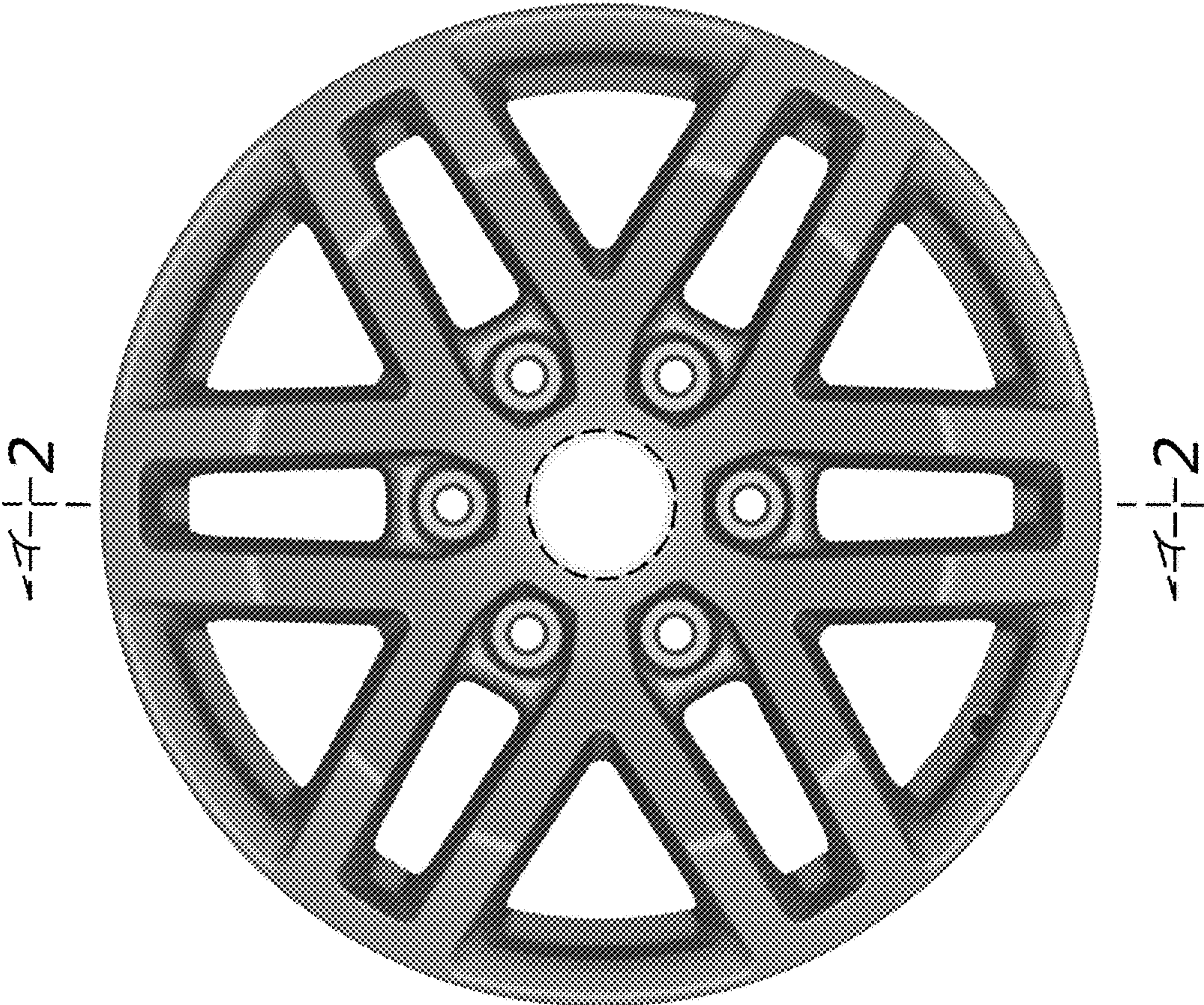


Fig. 1

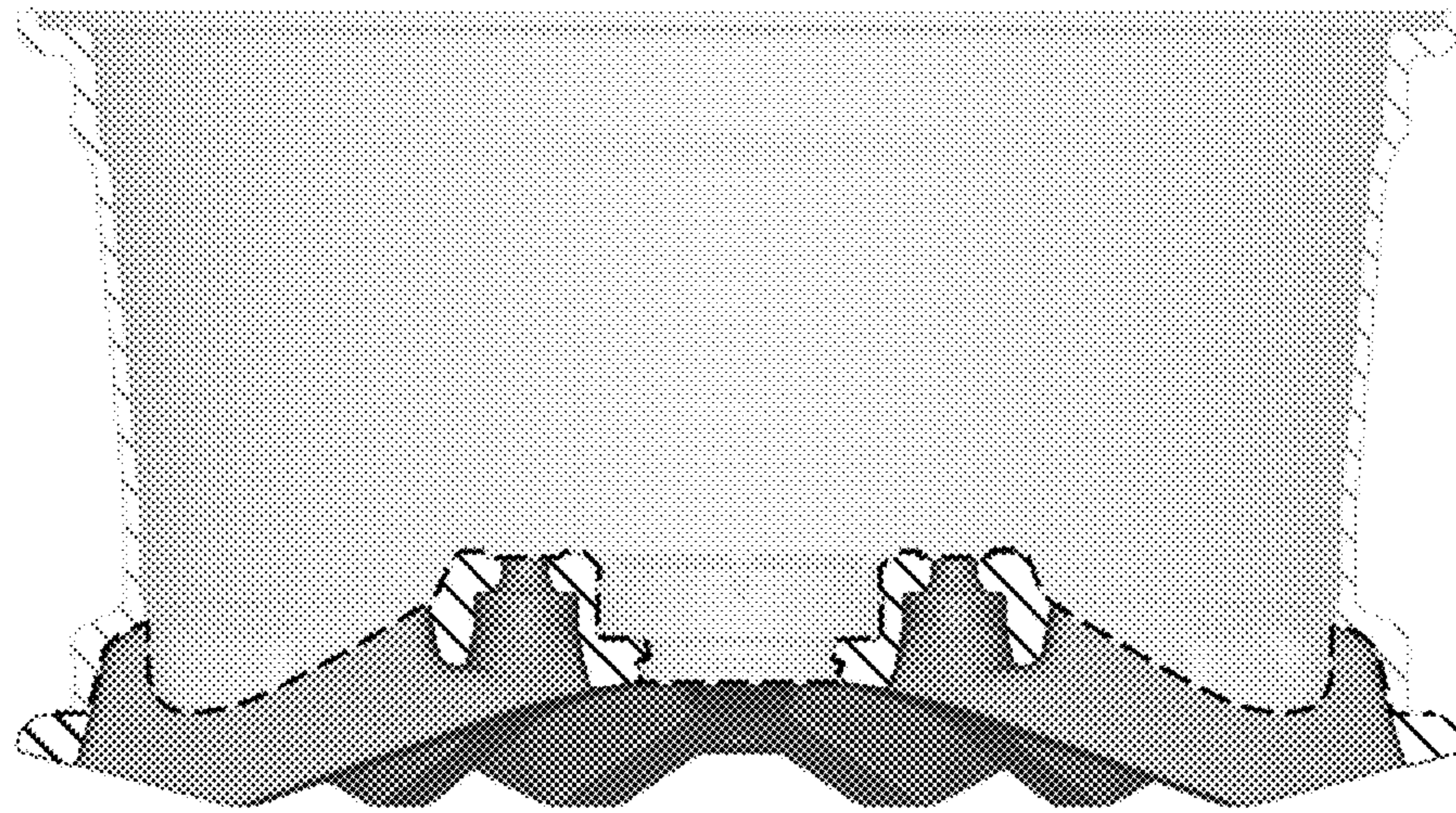


Fig. 2



Fig. 3