



US00D868663S

(12) **United States Design Patent**
Sham

(10) **Patent No.:** **US D868,663 S**

(45) **Date of Patent:** **** Dec. 3, 2019**

(54) **VEHICLE WHEEL**

(71) Applicant: **Thunder Power New Energy Vehicle Development Company Limited,**
Central (HK)

(72) Inventor: **Wellen Sham,** Taipei (TW)

(**) Term: **15 Years**

(21) Appl. No.: **29/663,097**

(22) Filed: **Sep. 12, 2018**

(51) **LOC (12) Cl.** **12-16**

(52) **U.S. Cl.**
USPC **D12/209**

(58) **Field of Classification Search**
USPC D12/204–213
CPC B60B 7/00; B60B 7/02; B60B 7/04; B60B 7/01;
B60B 7/06; B60B 3/02; B60B 3/04; B60B 3/06;
B60B 3/10; B60B 1/00; B60B 1/08; B60B 1/10; B60B 1/12
See application file for complete search history.

(56) **References Cited**

U.S. PATENT DOCUMENTS

D385,839 S * 11/1997 Cullen D12/209
D394,836 S * 6/1998 Cullen D12/209

D684,516 S * 6/2013 Bennion D12/209
D791,046 S * 7/2017 Ishii D12/209
D801,252 S * 10/2017 McMath D12/209
D803,131 S * 11/2017 Bridan D12/209
D806,627 S * 1/2018 Lee D12/211
D839,171 S * 1/2019 Hodges D12/209
D843,293 S * 3/2019 Tomasson D12/209

* cited by examiner

Primary Examiner — Stacia A Cadmus

(74) *Attorney, Agent, or Firm* — Kilpatrick Townsend & Stockton, LLP

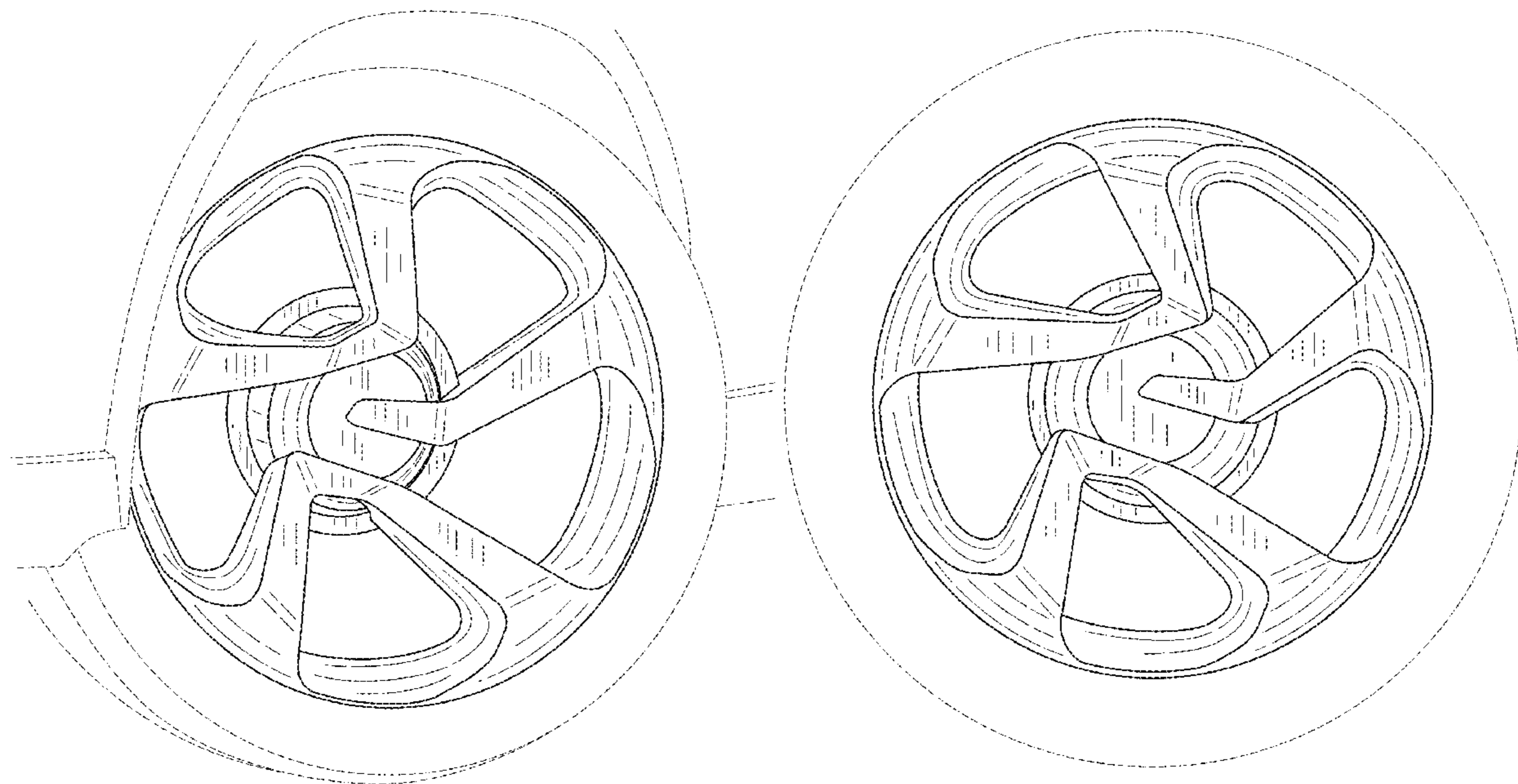
(57) **CLAIM**

I claim the ornamental design for a vehicle wheel, as shown and described.

DESCRIPTION

FIG. 1 is a perspective view of a vehicle wheel, showing my new design; and,
FIG. 2 is a front view thereof.
In the drawings, the broken lines depict environmental subject matter and form no part of the claimed design.

1 Claim, 2 Drawing Sheets



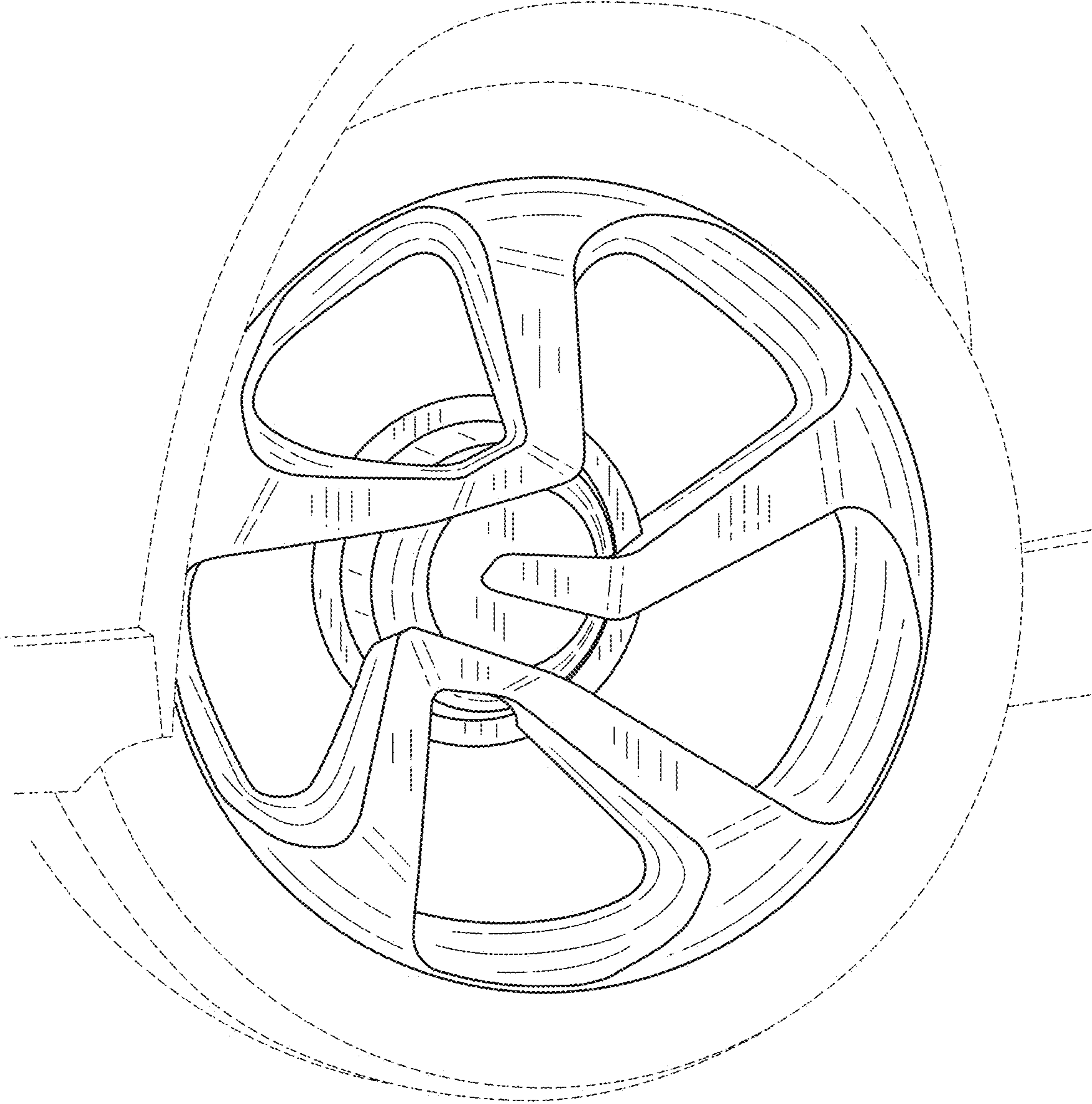


FIG. 1

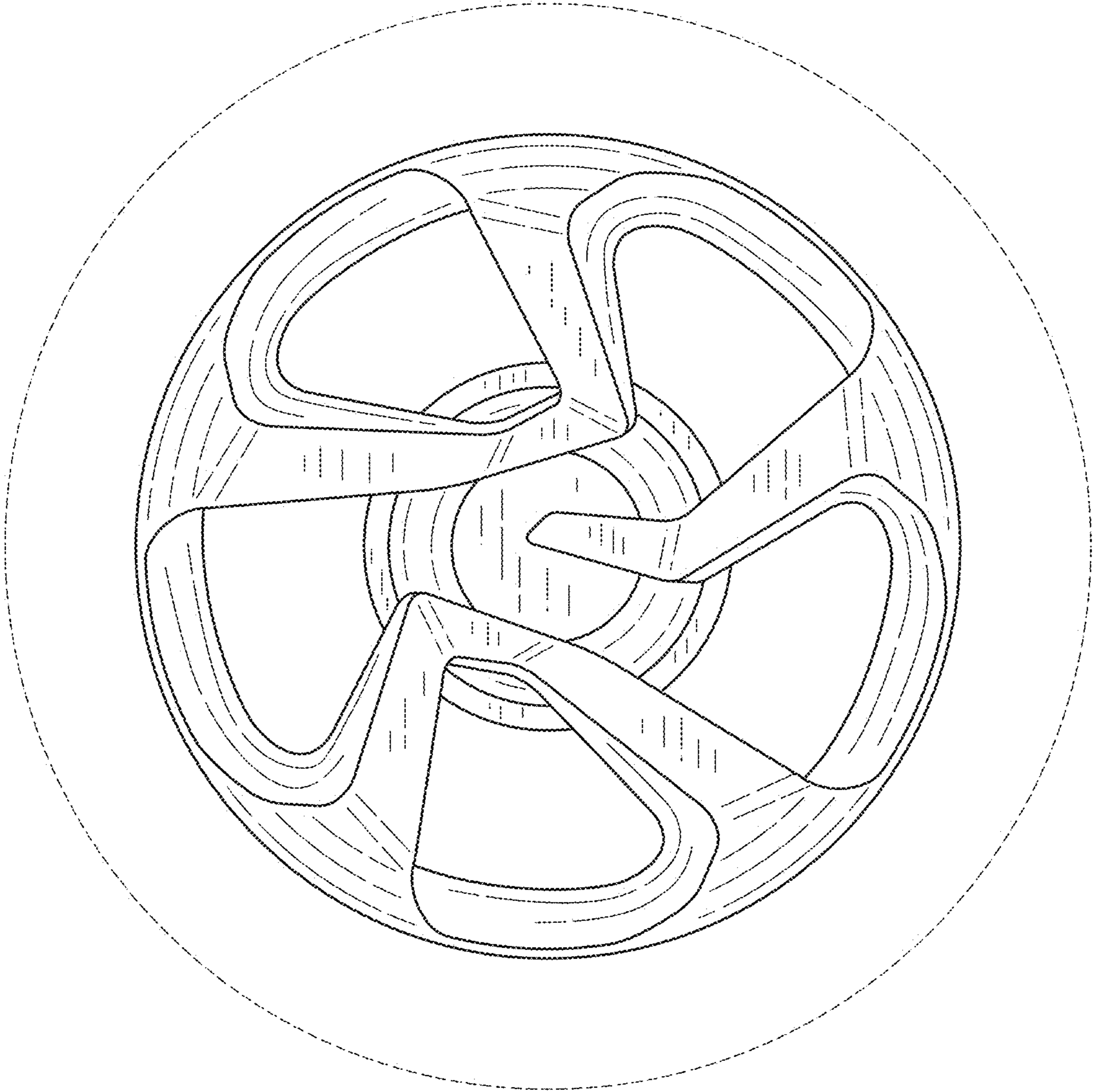


FIG.2