



US00D868662S

(12) **United States Design Patent**
Moore et al.

(10) **Patent No.:** **US D868,662 S**
(45) **Date of Patent:** **** Dec. 3, 2019**

- (54) **VEHICLE WHEEL**
- (71) Applicant: **Ford Global Technologies, LLC**,
Dearborn, MI (US)
- (72) Inventors: **William K. Moore**, West Bloomfield,
MI (US); **Damon G. Depeyster**,
Northville, MI (US); **Gordon M. Platto**, Troy, MI (US)
- (73) Assignee: **Ford Gloabal Technologies, LLC**,
Dearborn, MI (US)
- (**) Term: **15 Years**
- (21) Appl. No.: **29/650,645**
- (22) Filed: **Jun. 8, 2018**
- (51) **LOC (12) Cl.** **12-16**
- (52) **U.S. Cl.**
USPC **D12/209; D12/211**
- (58) **Field of Classification Search**
USPC D12/204–213
CPC B60B 7/00; B60B 7/02; B60B 7/04; B60B
7/01; B60B 7/06; B60B 3/02; B60B 3/04;
B60B 3/06; B60B 3/10; B60B 1/00;
B60B 1/08; B60B 1/10; B60B 1/12
See application file for complete search history.

- (56) **References Cited**
U.S. PATENT DOCUMENTS
- D608,713 S 1/2010 Bucher et al.
- D608,714 S 1/2010 Bucher et al.
- D608,715 S 1/2010 Bucher et al.
- D615,018 S * 5/2010 Truebsbach D12/211
- D634,691 S * 3/2011 Park D12/211
- D651,961 S * 1/2012 Ectors D12/211
- D660,768 S * 5/2012 De Bono D12/211
- D666,957 S * 9/2012 Antoniadis D12/211
- D675,554 S * 2/2013 Nissl D12/211

- D707,167 S * 6/2014 Chung D12/209
- D730,800 S 6/2015 Behmer et al.
- D731,390 S * 6/2015 Kobayashi D12/211
- D734,701 S * 7/2015 Mielke D12/209
- D736,135 S * 8/2015 Grake D12/211
- D747,252 S * 1/2016 Buckingham D12/211
- D750,543 S 3/2016 Behmer et al.
- D751,019 S 3/2016 Behmer et al.
- D754,051 S * 4/2016 Baum D12/211
- D758,278 S 6/2016 Behmer et al.
- D764,372 S 8/2016 Behmer et al.
- D768,046 S * 10/2016 Patel D12/211
- D769,169 S * 10/2016 Kumeya D12/211
- D784,894 S * 4/2017 Gardavsky D12/211
- D785,533 S * 5/2017 Pires D12/209
- D786,161 S * 5/2017 Vartola D12/211
- D791,050 S * 7/2017 Juergens D12/211
- D792,316 S * 7/2017 Groth D12/211
- D794,528 S * 8/2017 Setter D12/211
- D796,410 S * 9/2017 Churchill D12/211
- D799,395 S * 10/2017 Chung D12/209
- D800,631 S * 10/2017 Krause D12/211
- D800,632 S * 10/2017 Gonser D12/211
- D803,754 S * 11/2017 Chung D12/211

(Continued)

Primary Examiner — Stacia A Cadmus

(74) *Attorney, Agent, or Firm* — Vichit Chea

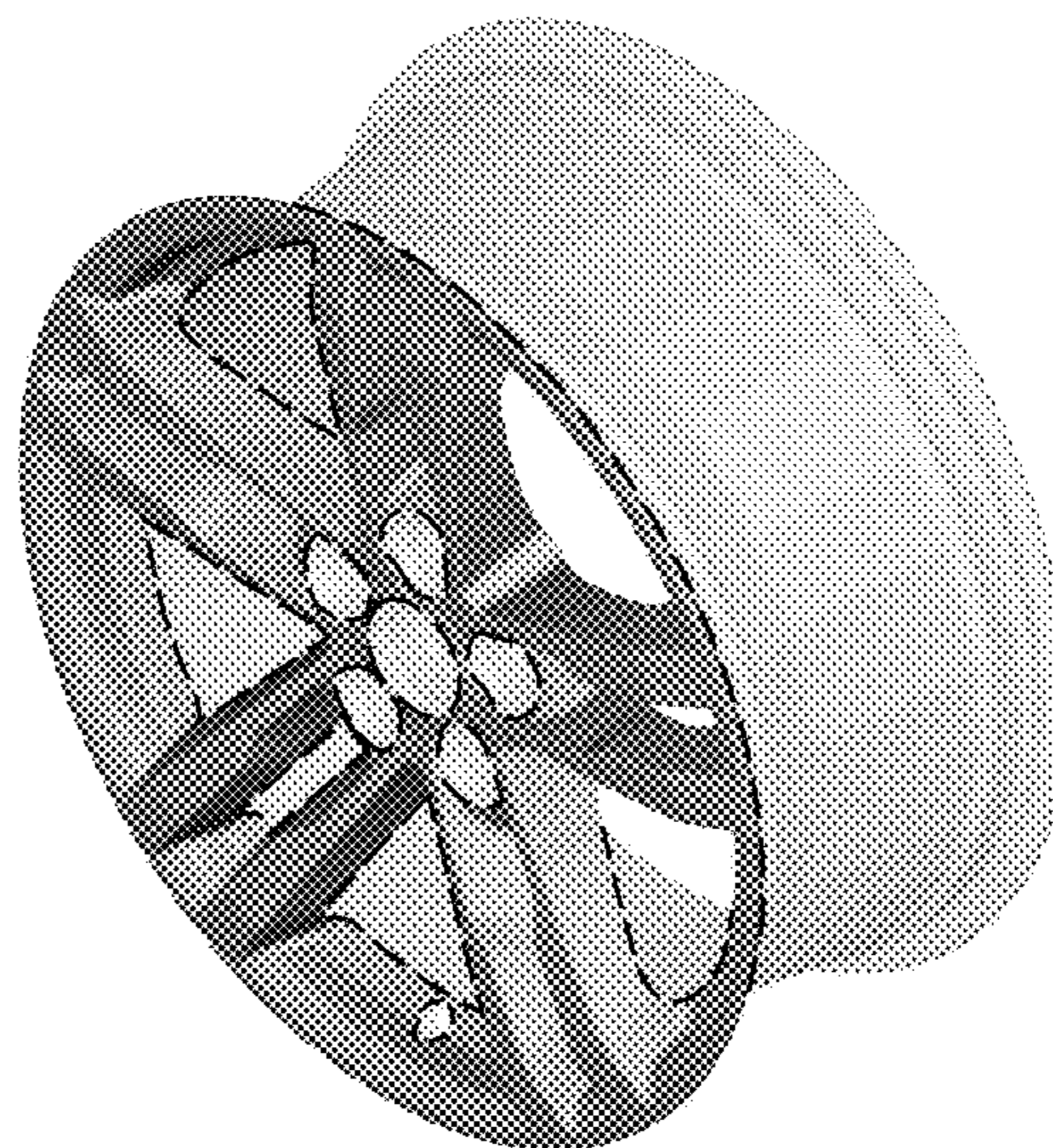
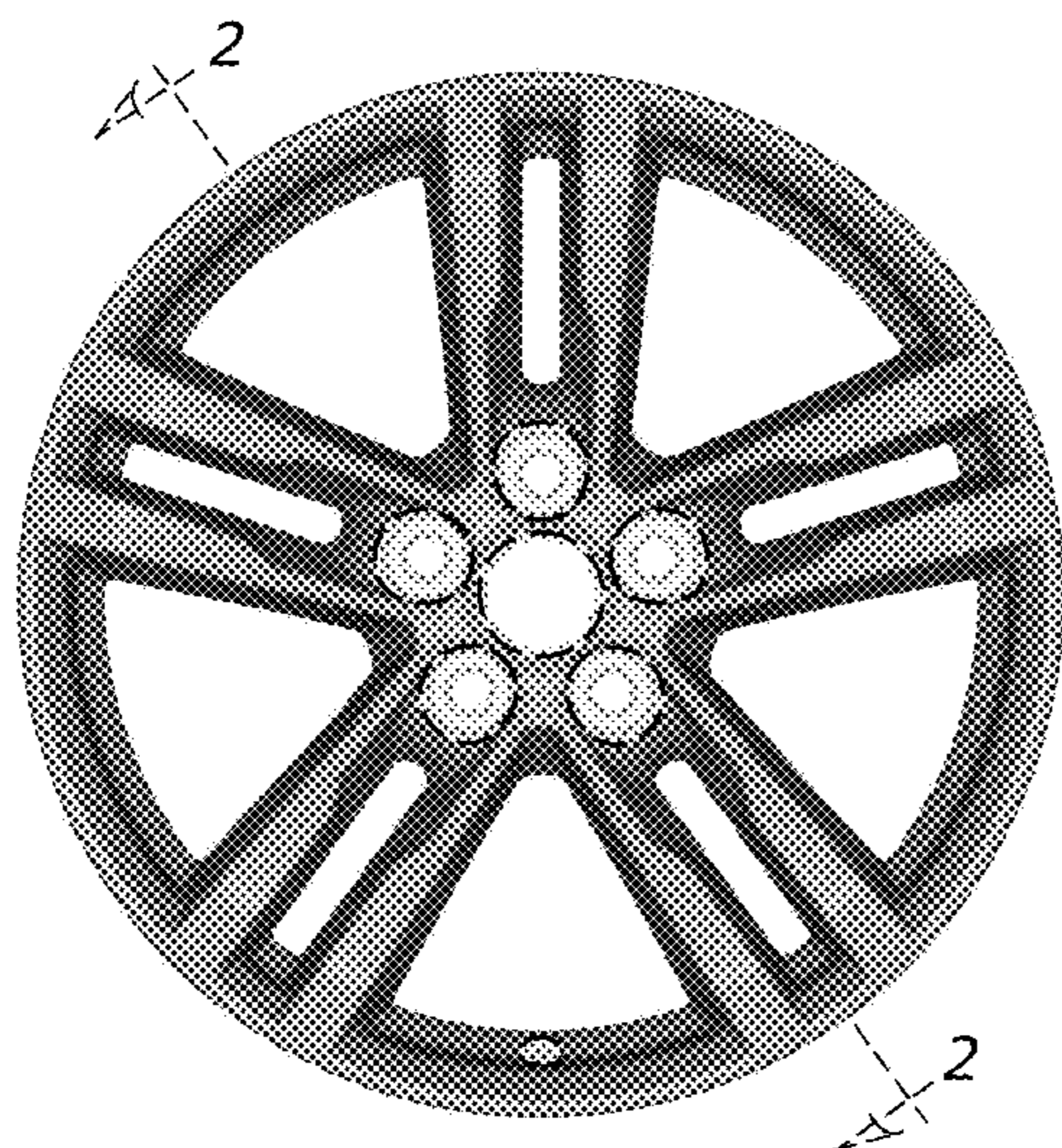
(57) **CLAIM**

The ornamental design for a vehicle wheel, as shown and described.

DESCRIPTION

FIG. 1 is a front view of a vehicle wheel showing our new design;
 FIG. 2 is a cross sectional view thereof, taken along line 2-2 in FIG. 1; and,
 FIG. 3 is a perspective view thereof.
 Any broken lines represent an internal boundary of the design; the line itself and the area within form no part of the claim.

1 Claim, 3 Drawing Sheets



(56)

References Cited

U.S. PATENT DOCUMENTS

D821,283 S *	6/2018	Juergens	D12/209
D822,573 S *	7/2018	Juergens	D12/209
D826,820 S *	8/2018	Bucher	D12/209
D826,824 S *	8/2018	Platto	D12/209
D832,181 S *	10/2018	Setter	D12/211
D834,488 S *	11/2018	Smith	D12/209
D847,076 S *	4/2019	Peat	D12/211
D849,645 S *	5/2019	Khachatryan	D12/209
D851,010 S *	6/2019	Sze	D12/209
D851,013 S *	6/2019	Rueckheim	D12/209
D854,481 S *	7/2019	Bucher	D12/209

* cited by examiner

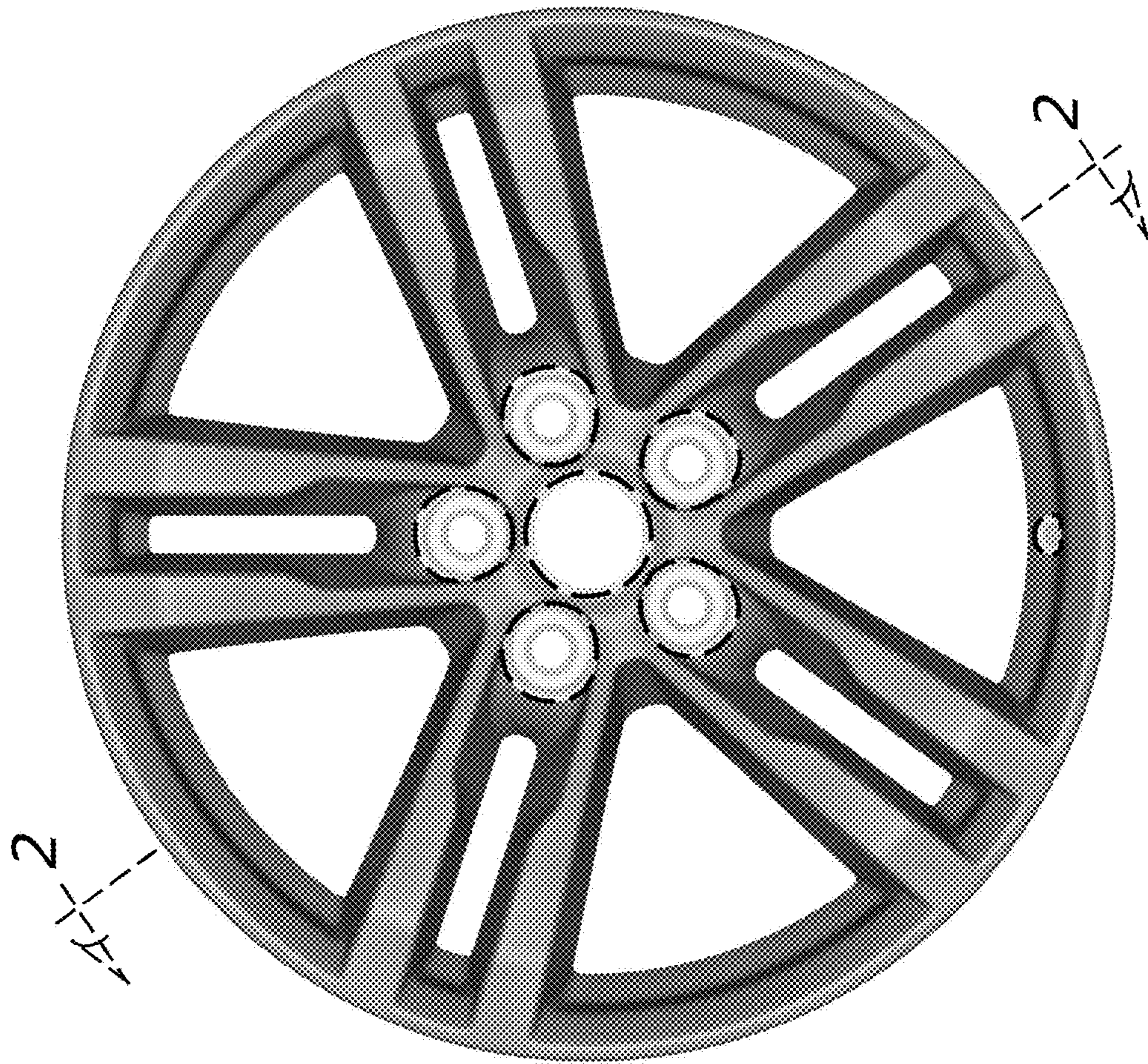


Fig. 1

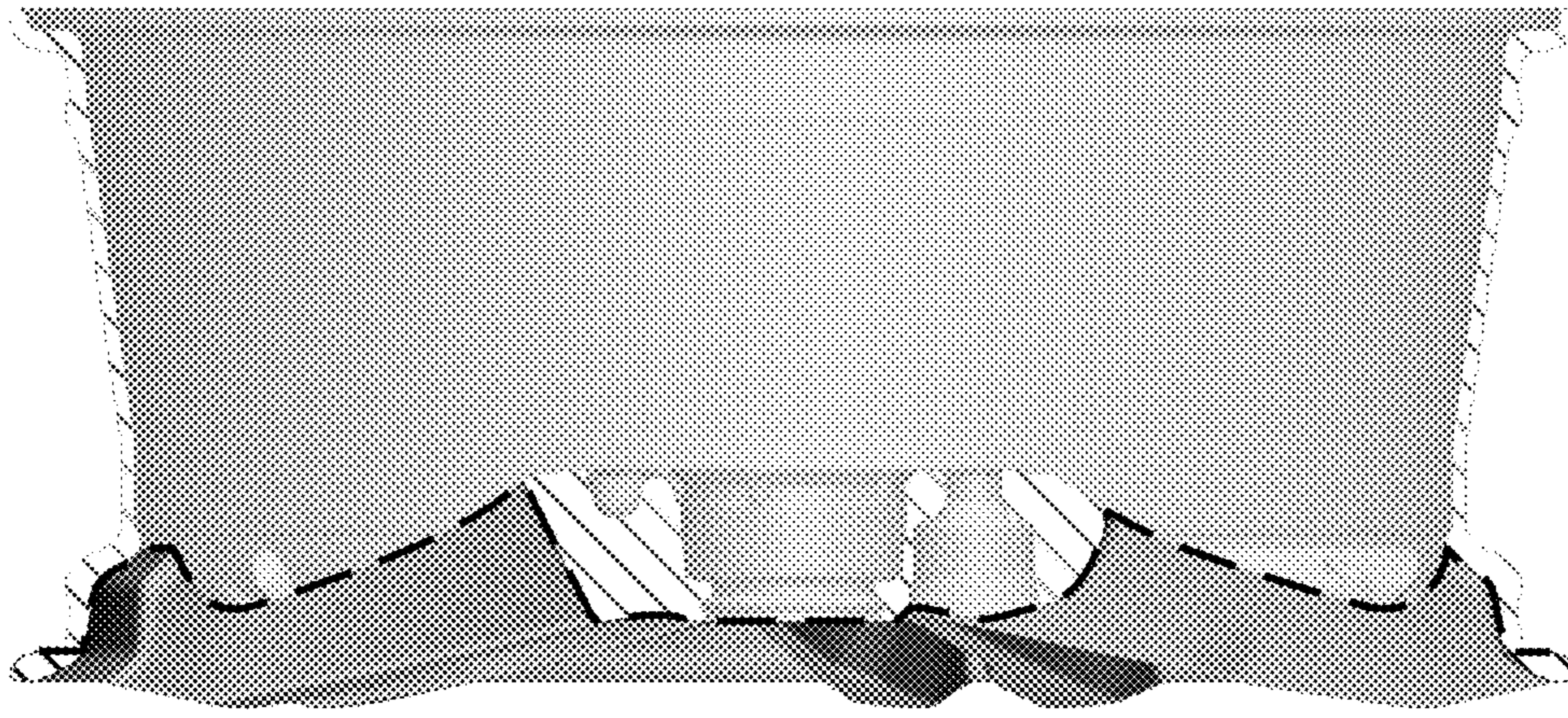


Fig. 2



Fig. 3