



US00D868661S

(12) **United States Design Patent** (10) **Patent No.:** **US D868,661 S**  
**Li** (45) **Date of Patent:** **\*\* Dec. 3, 2019**

(54) **RUNNING BOARD**  
(71) Applicant: **M2 Distribution Ltd.**, Port Coquitlam (CA)  
(72) Inventor: **Ming Li**, Coquitlam (CA)  
(73) Assignee: **M2 Distribution Ltd.**, Port Coquitlam (CA)  
(\*\*) Term: **15 Years**  
(21) Appl. No.: **29/664,720**  
(22) Filed: **Sep. 27, 2018**  
(51) **LOC (12) Cl.** ..... **12-16**  
(52) **U.S. Cl.**  
USPC ..... **D12/203**  
(58) **Field of Classification Search**  
USPC ..... D12/203, 89, 98, 314, 162, 190, 196  
CPC .. B60R 3/002; B60R 3/02; B60R 3/00; B60R 3/005; B60R 3/007  
See application file for complete search history.

(56) **References Cited**  
U.S. PATENT DOCUMENTS  
D436,336 S \* 1/2001 Sadr ..... D12/203  
D473,178 S \* 4/2003 Schumacher ..... D12/203  
D535,928 S \* 1/2007 Crandall ..... D12/203  
D559,755 S \* 1/2008 Ito ..... D12/203  
D588,514 S \* 3/2009 Kudelko ..... D12/203  
D656,873 S \* 4/2012 Barnhart ..... D12/203  
D676,368 S \* 2/2013 Cover ..... D12/203  
D738,803 S \* 9/2015 Zhu ..... D12/203  
D789,857 S \* 6/2017 Hare ..... D12/203  
D789,858 S \* 6/2017 Hare ..... D12/203  
D794,525 S \* 8/2017 Chen ..... D12/203  
D805,986 S \* 12/2017 Chi ..... D12/203

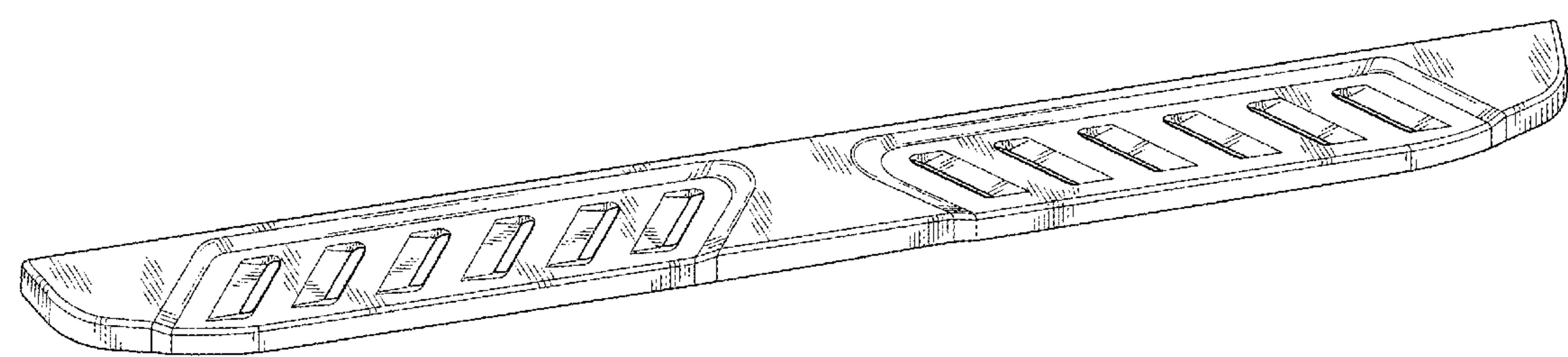
D807,804 S \* 1/2018 Huang ..... D12/203  
D809,446 S \* 2/2018 Montoya ..... D12/203  
D817,838 S \* 5/2018 Dionisopoulos ..... D12/203  
D817,839 S \* 5/2018 Rolfs ..... D12/203  
D818,923 S \* 5/2018 Baeza ..... D12/203  
D818,924 S \* 5/2018 Baeza ..... D12/203  
2005/0067741 A1\* 3/2005 Chapman ..... B29C 49/20  
264/516  
2017/0036596 A1\* 2/2017 Yang ..... B60Q 1/323  
\* cited by examiner

*Primary Examiner* — Michelle E. Wilson  
*Assistant Examiner* — Clese Moore, Jr.  
(74) *Attorney, Agent, or Firm* — Eric J. Sosenko;  
Jonathan P. O'Brien; Honigman LLP

(57) **CLAIM**  
The ornamental design for a running board, as shown.

**DESCRIPTION**  
FIG. 1 is a perspective view of a running board embodying the principles of the present invention;  
FIG. 2 is a top view of the running board seen in FIG. 1;  
FIG. 3 is a front view of the running board seen in FIG. 1;  
FIG. 4 is a bottom side view of the running board seen in FIG. 1;  
FIG. 5 is a back side view of the running board seen in FIG. 1;  
FIG. 6 is a right side view of the running board seen in FIG. 1; and,  
FIG. 7 is a left side view of the running board seen in FIG. 1.  
In the drawings, the broken lines depict environmental subject matter only and form no part of the claimed design. Shade lines having a combination of long and short lines in the drawings show contour and not surface ornamentation.

**1 Claim, 1 Drawing Sheet**



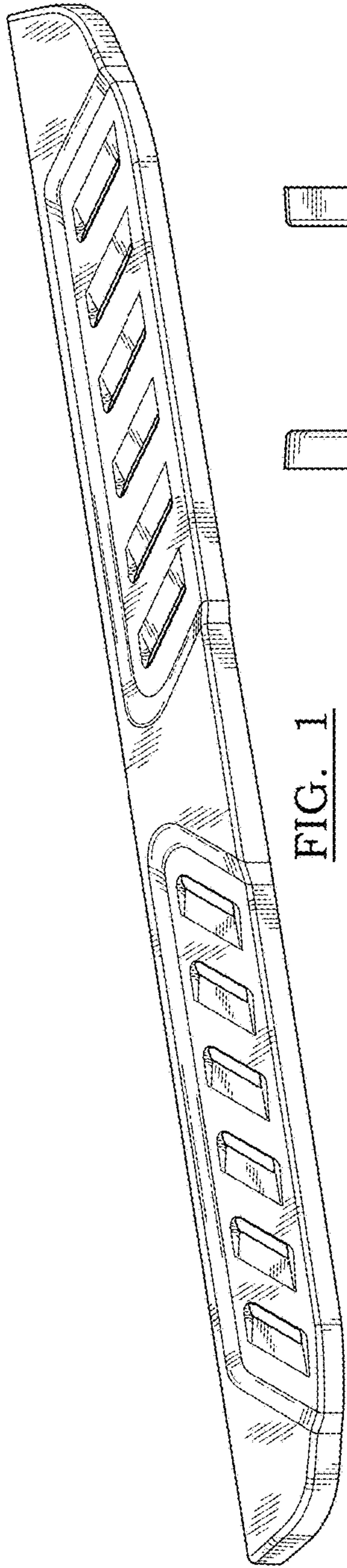


FIG. 1



FIG. 6   FIG. 7

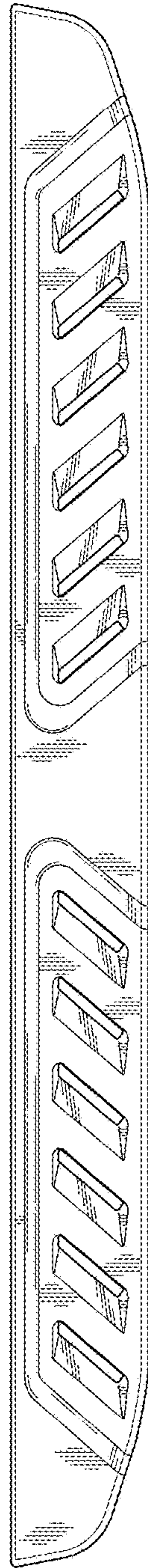


FIG. 2



FIG. 3

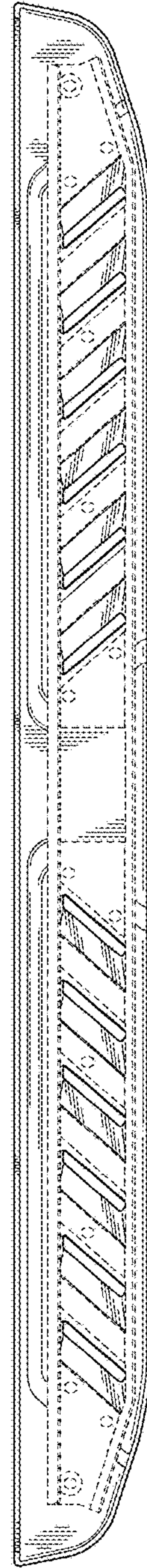


FIG. 4

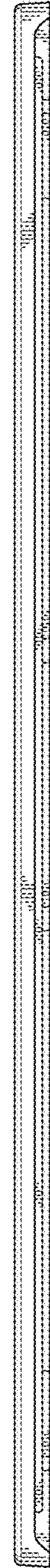


FIG. 5