



US00D868657S

(12) **United States Design Patent**  
**Shen**

(10) **Patent No.:** **US D868,657 S**

(45) **Date of Patent:** **\*\* Dec. 3, 2019**

(54) **SUNSHADE FASTENER**

D828,253 S \* 9/2018 Mao ..... D12/183  
D852,098 S \* 6/2019 Hu ..... D12/183

(71) Applicant: **Long Xiang Shen**, Pomona, CA (US)

\* cited by examiner

(72) Inventor: **Long Xiang Shen**, Pomona, CA (US)

*Primary Examiner* — Abraham Bahta

(\*\*) Term: **15 Years**

(74) *Attorney, Agent, or Firm* — Che-Yang Chen; Law offices of Scott Warmuth

(21) Appl. No.: **29/650,582**

(22) Filed: **Jun. 7, 2018**

(51) **LOC (12) Cl.** ..... **12-16**

(57) **CLAIM**

(52) **U.S. Cl.**  
USPC ..... **D12/183**

The ornamental design for a sunshade fastener, as shown and described.

(58) **Field of Classification Search**

USPC ..... D12/183, 182, 190, 191, 417; 150/168;  
160/DIG. 2, DIG. 3, 370.21; 224/312;  
296/97.1, 97.9; 49/502, 503  
CPC . B60J 3/02; B60J 3/0208; B60J 3/0204; B60J  
1/20; B60J 1/2005; B60J 1/2002; B60J  
1/06; B60J 1/08; B60J 1/12; B60J 1/10;  
B60J 1/14; B60J 1/16; B60J 1/18

See application file for complete search history.

**DESCRIPTION**

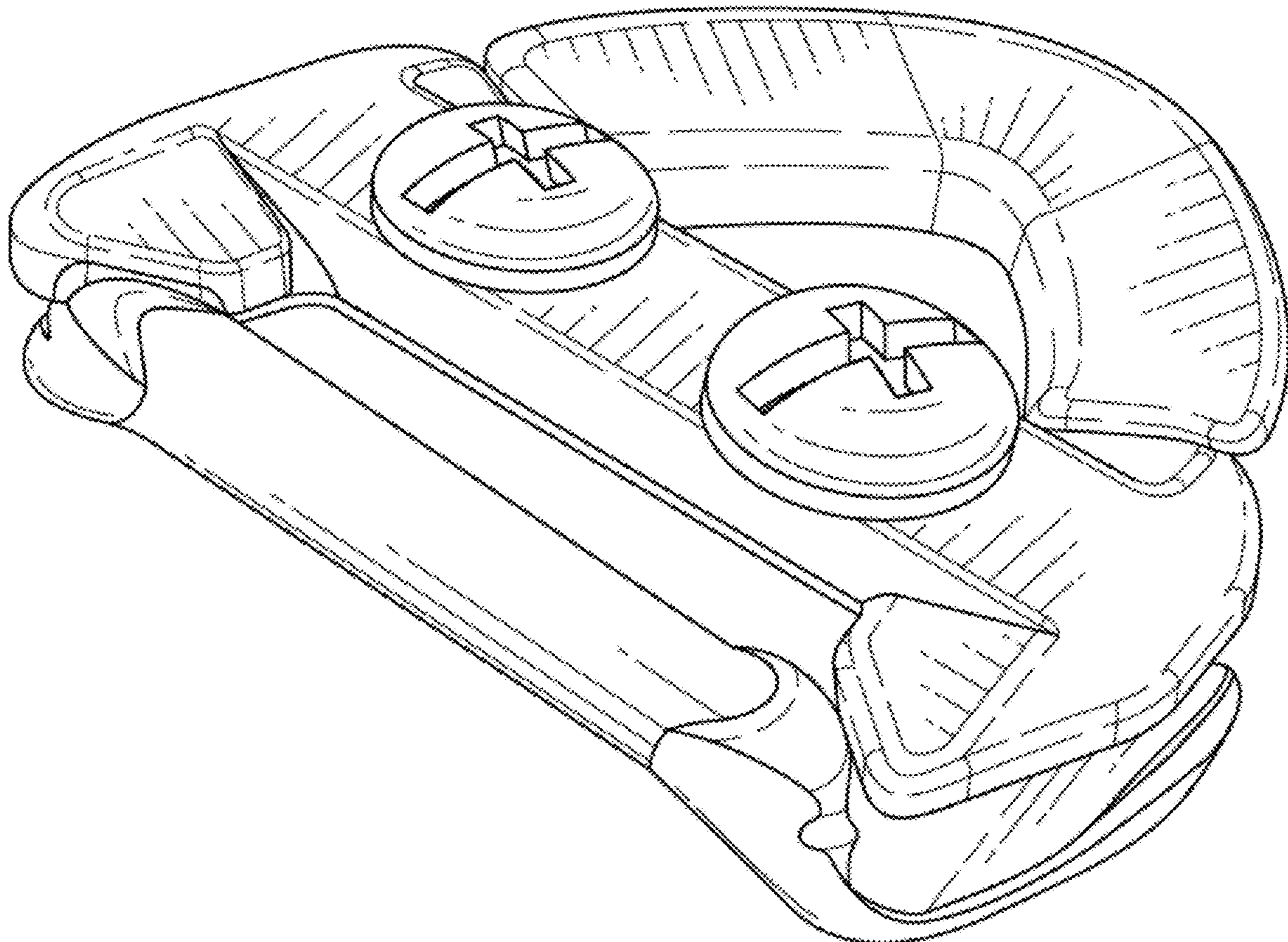
FIG. 1 is a perspective view of the sunshade fastener showing my new design;  
FIG. 2 is a front elevational view thereof;  
FIG. 3 is a rear elevational view thereof;  
FIG. 4 is a left side elevational view thereof;  
FIG. 5 is a right side elevational view thereof;  
FIG. 6 is a top plan view thereof; and,  
FIG. 7 is a bottom plan view thereof.

(56) **References Cited**

**U.S. PATENT DOCUMENTS**

D746,192 S \* 12/2015 Balfour ..... D12/183  
D762,078 S \* 7/2016 Freese ..... D6/580

**1 Claim, 5 Drawing Sheets**



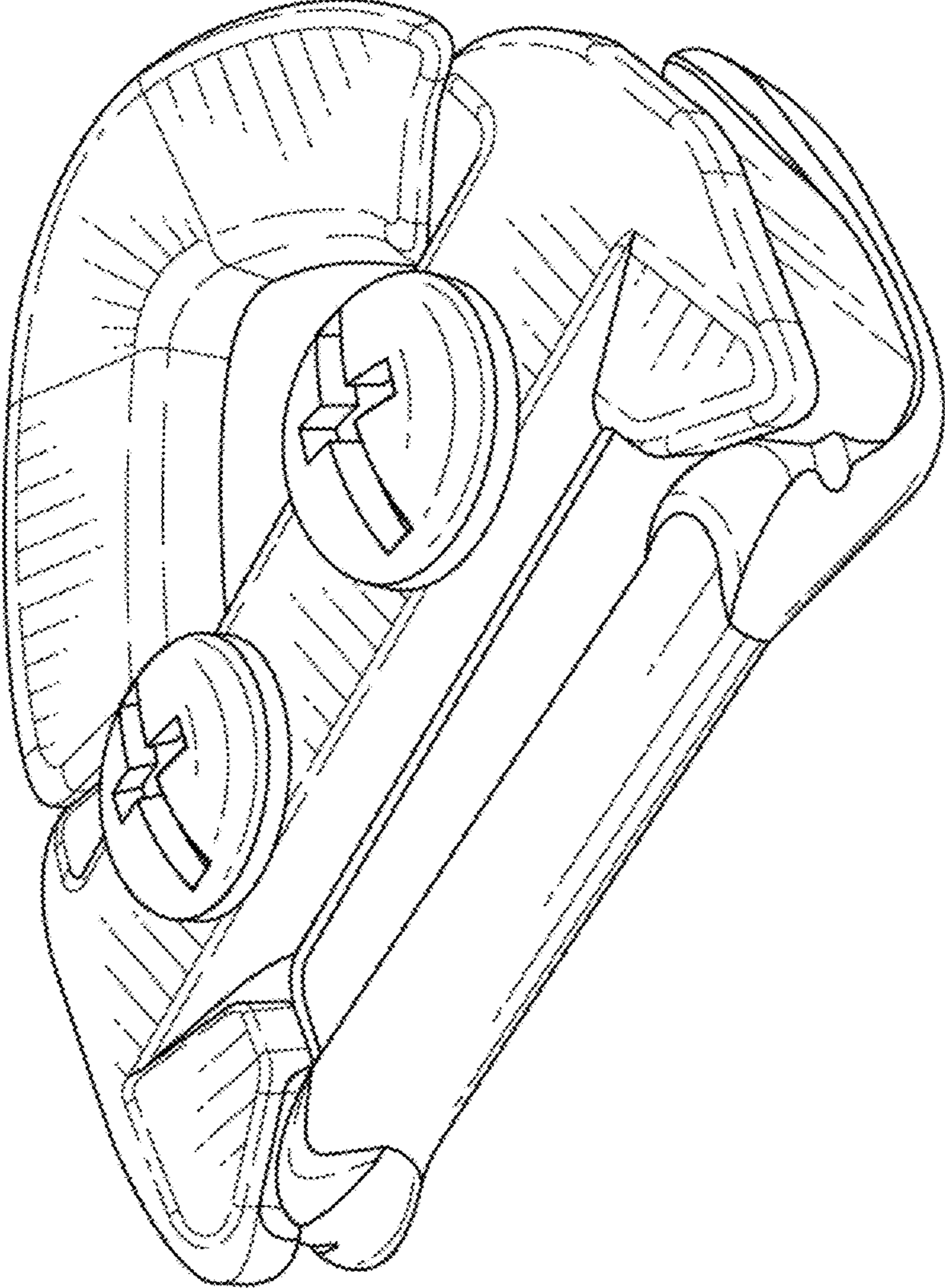


FIG. 1

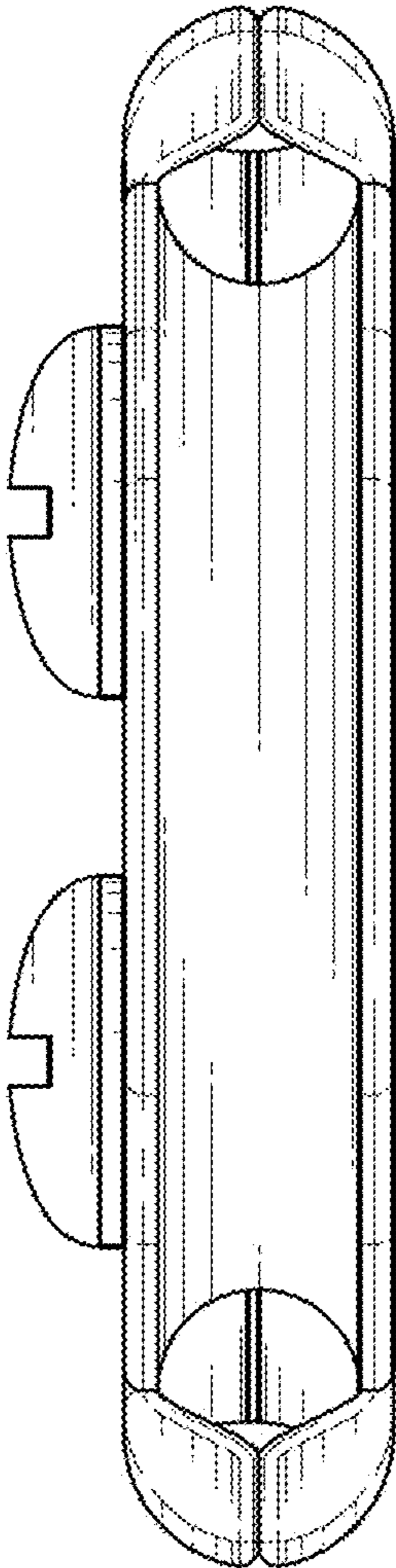


FIG. 2

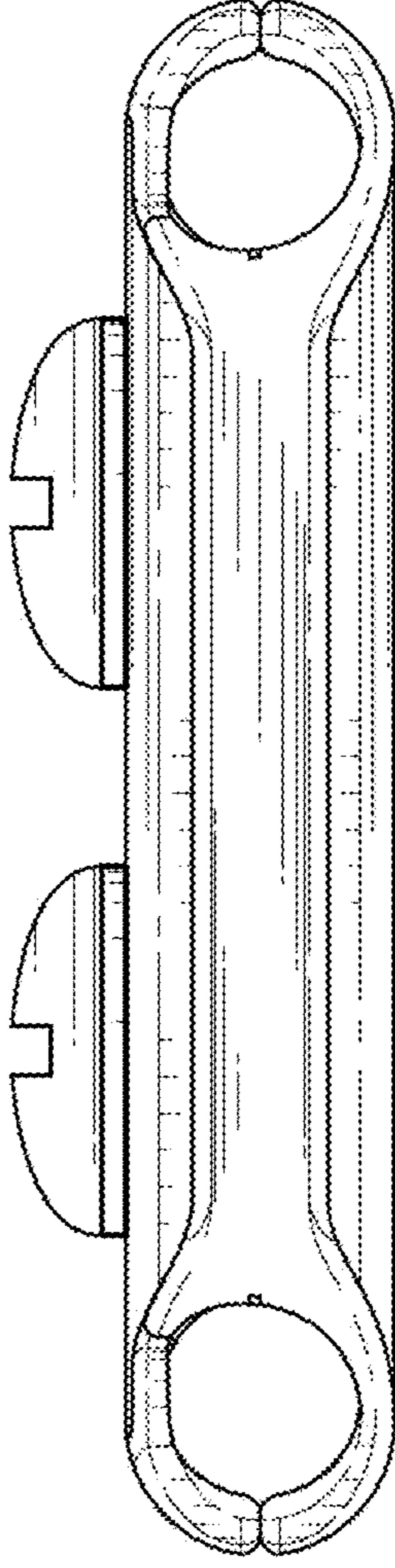


FIG. 3



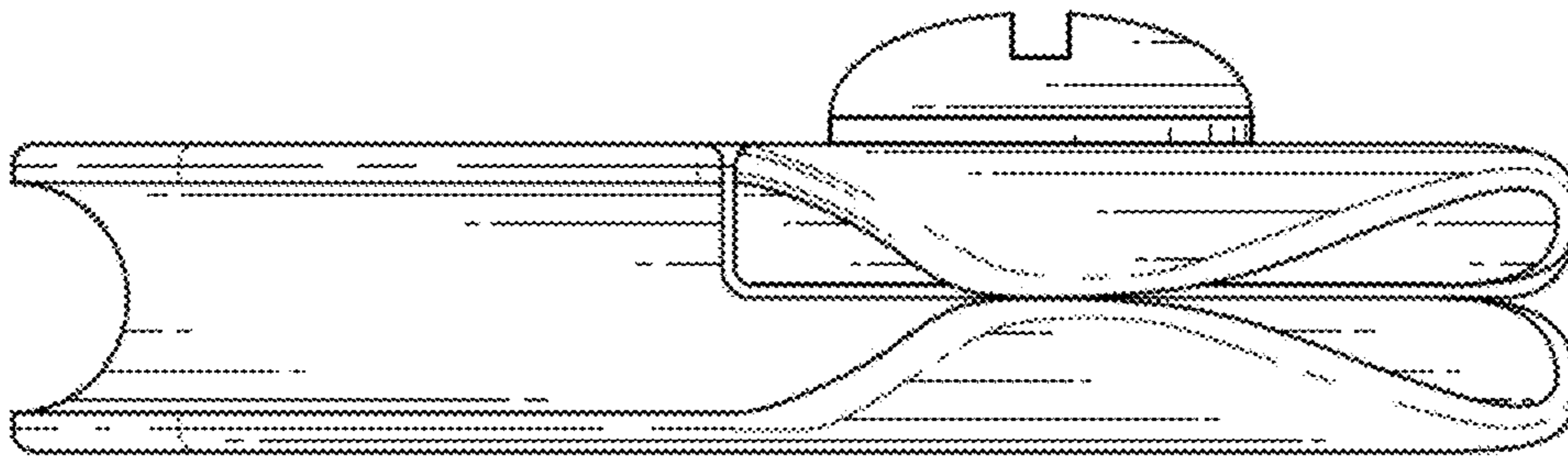


FIG. 5

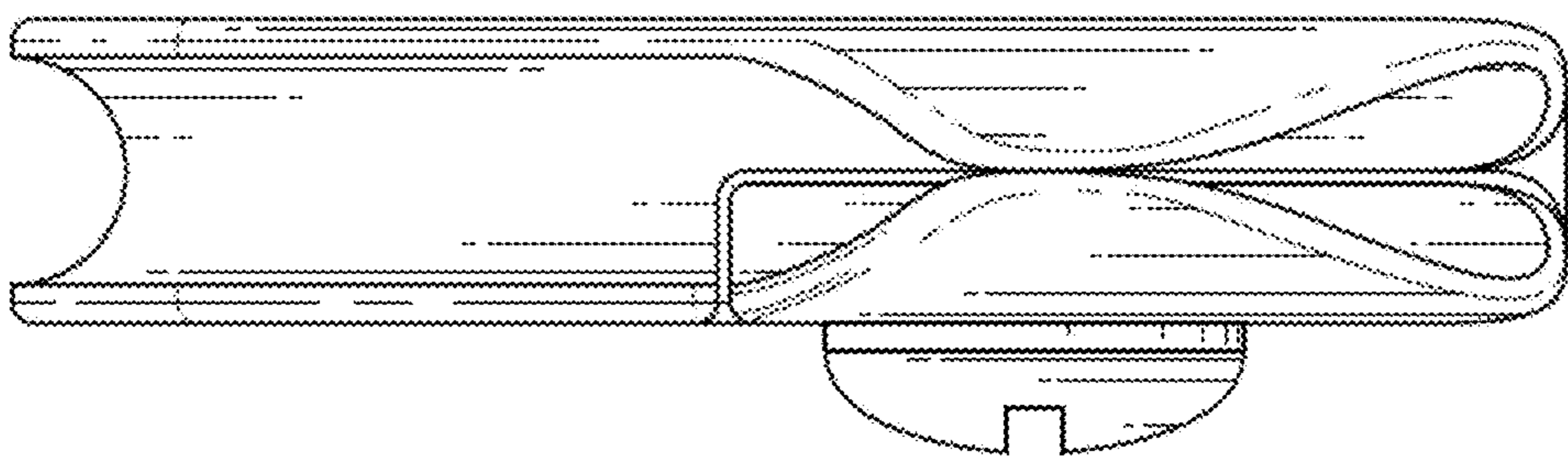


FIG. 4

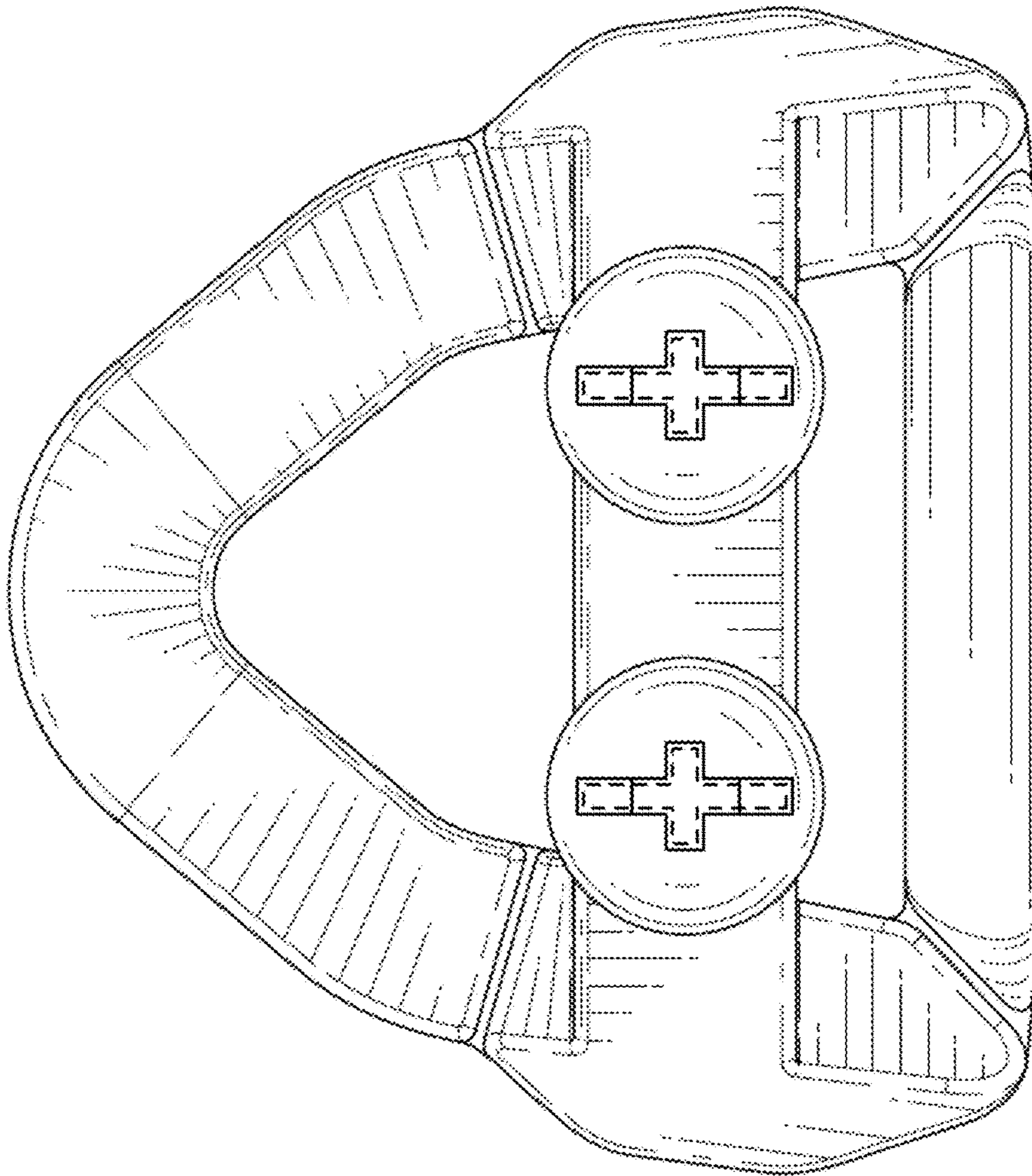


FIG. 6

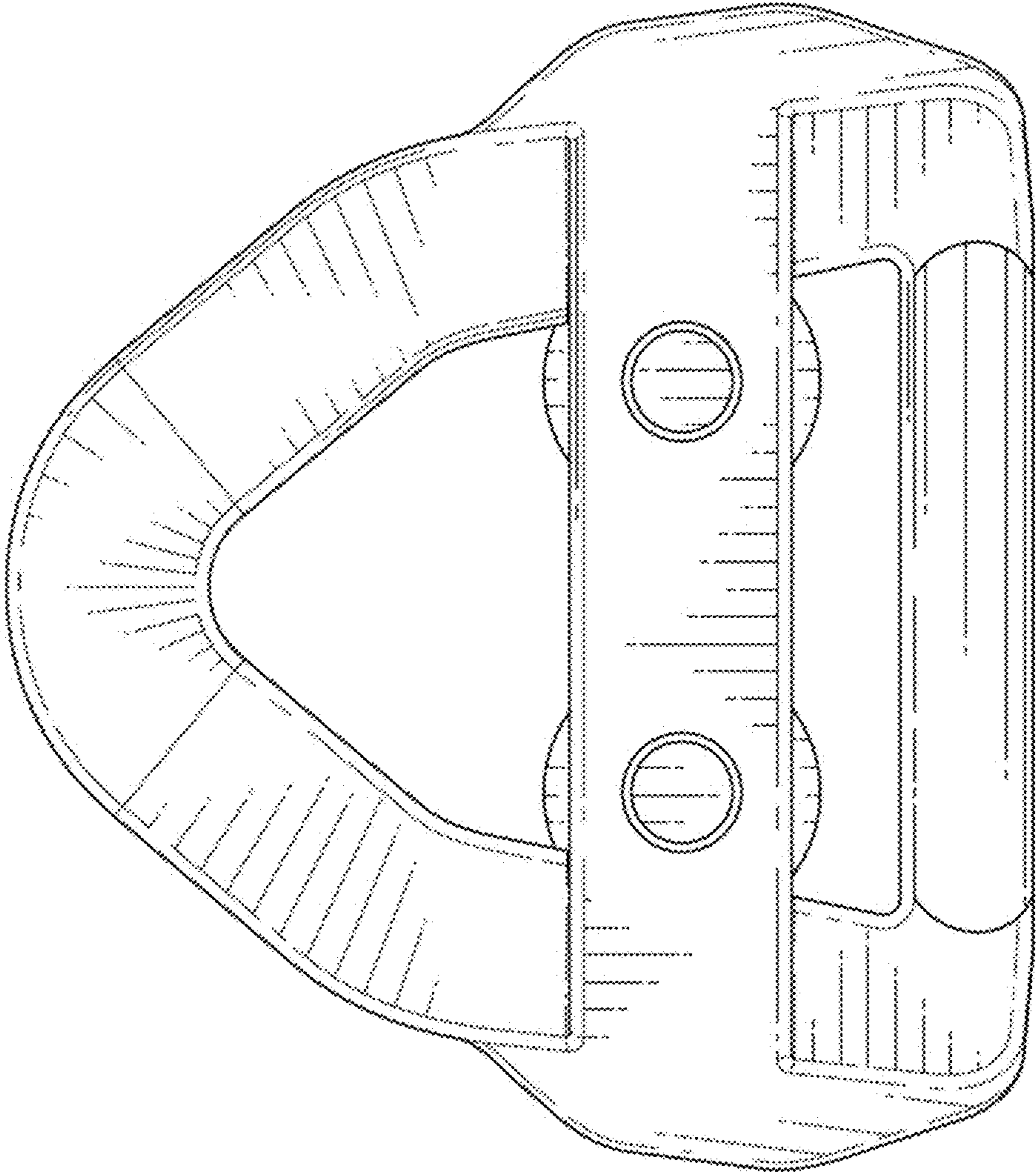


FIG. 7