



US00D868655S

(12) **United States Design Patent** (10) **Patent No.:** **US D868,655 S**
Thorpe (45) **Date of Patent:** **** Dec. 3, 2019**

(54) **DISC BRAKE CALLIPER**
(71) Applicant: **A.P. RACING LTD**, Coventry (GB)
(72) Inventor: **Andrew Thorpe**, Coventry (GB)
(73) Assignee: **A.P. Racing LTD**, Coventry (GB)
(**) Term: **15 Years**

(21) Appl. No.: **29/607,878**

(22) Filed: **Jun. 16, 2017**

(30) **Foreign Application Priority Data**

Dec. 19, 2016 (EM) 003526482

(51) **LOC (12) Cl.** **12-16**

(52) **U.S. Cl.**
USPC **D12/180**

(58) **Field of Classification Search**
USPC D12/123, 179, 180
CPC F16D 55/224; F16D 55/226; F16D 55/227;
F16D 55/228; F16D 55/22655; F16D
55/2262; F16D 65/0977; F16D 65/0978
See application file for complete search history.

(56) **References Cited**

U.S. PATENT DOCUMENTS

D522,420 S * 6/2006 Crippa D12/180
D522,421 S * 6/2006 Crippa D12/180
D523,794 S * 6/2006 Strumbo D12/180
D610,059 S * 2/2010 Azimonti D12/180
D642,100 S * 7/2011 Crippa D12/180
D804,375 S * 12/2017 Crippa D12/180
9,970,495 B2 * 5/2018 Crippa F16D 65/0977

2008/0029356 A1* 2/2008 Halasy-Wimmer
F16D 55/22655
188/73.45
2013/0020155 A1* 1/2013 Crippa F16D 55/228
188/73.31
2013/0092481 A1* 4/2013 Crippa F16D 55/228
188/73.31
2013/0256068 A1* 10/2013 Hazeki F16D 55/226
188/72.4
2015/0027821 A1* 1/2015 Nessi F16D 55/224
188/72.3
2017/0102042 A1* 4/2017 Crippa F16D 65/0977

* cited by examiner

Primary Examiner — Susan E Krakower

Assistant Examiner — Jerry Shiuian-Hua Hsu

(74) *Attorney, Agent, or Firm* — Thomas|Horstemeyer,
LLP

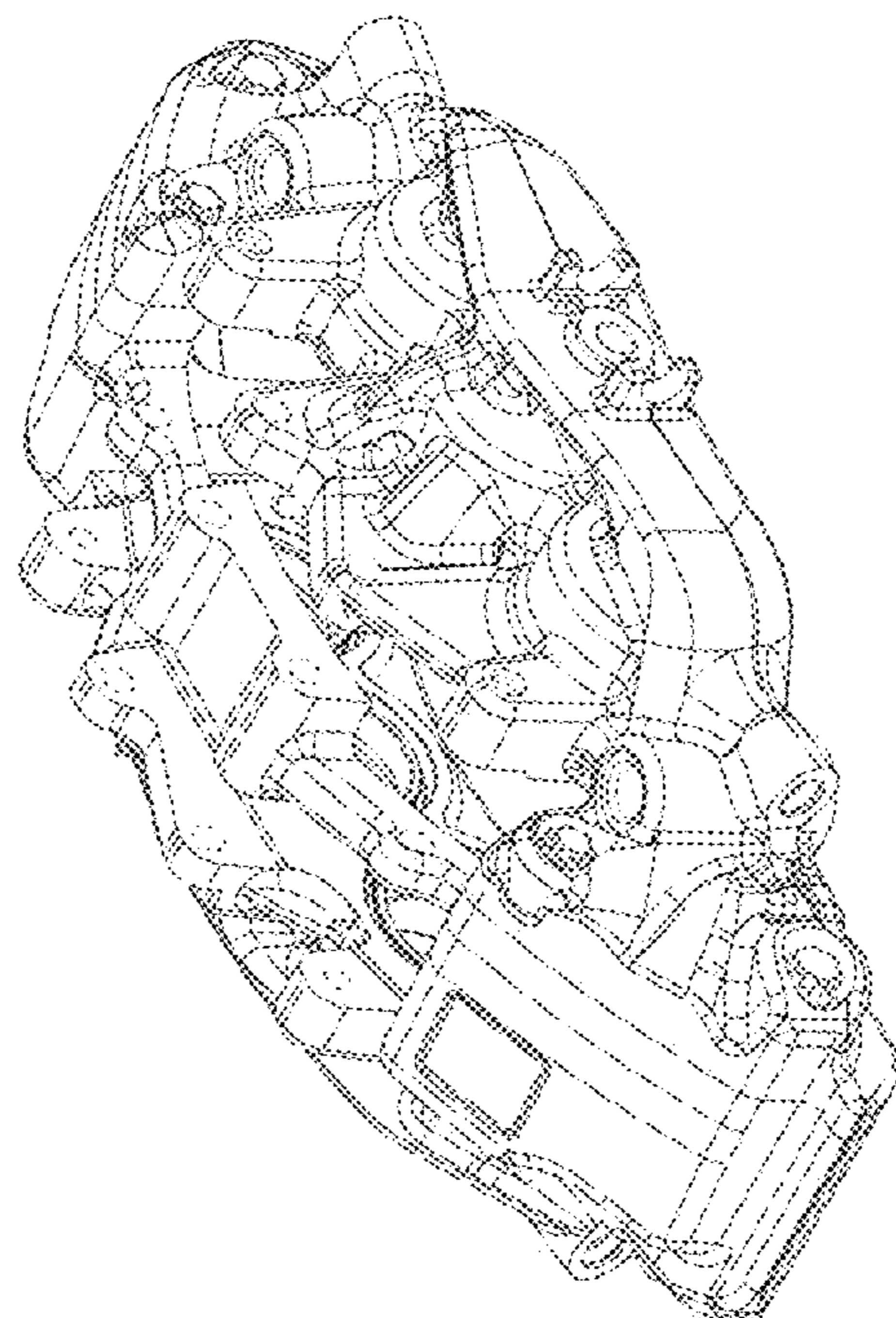
(57) **CLAIM**

The ornamental design for a disc brake calliper, as shown and described.

DESCRIPTION

FIG. 1 is a perspective view of a disc brake caliper showing my new design;
FIG. 2 is an end view thereof;
FIG. 3 is another end view thereof, opposite that of FIG. 2;
FIG. 4 is a side view thereof;
FIG. 5 is a side view thereof, from a side opposite that of FIG. 4;
FIG. 6 is a top view thereof; and,
FIG. 7 is a bottom view thereof.
The broken lines and areas within them illustrate portions of the disc brake caliper that form no part of the claimed design.

1 Claim, 7 Drawing Sheets



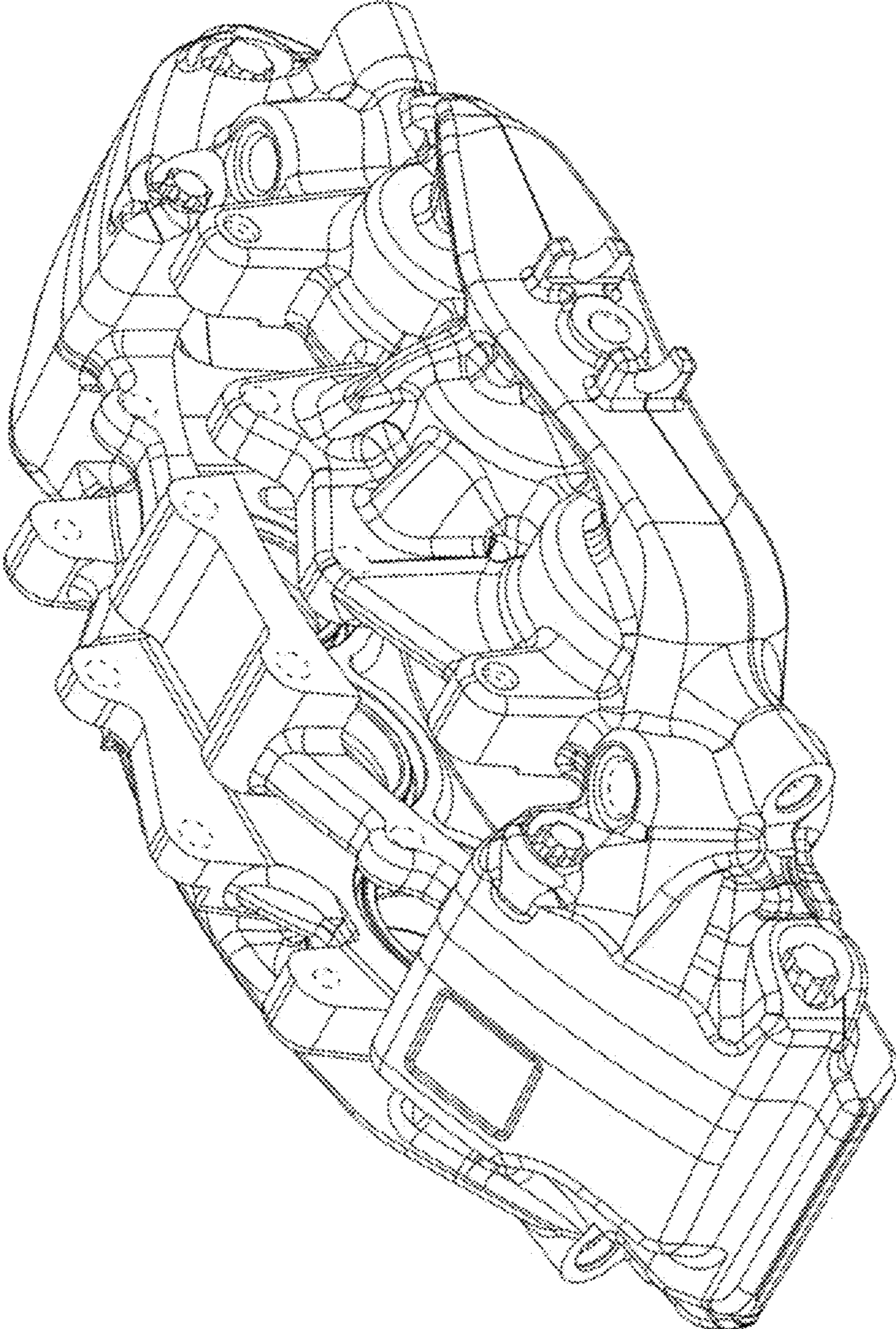


FIG. 1

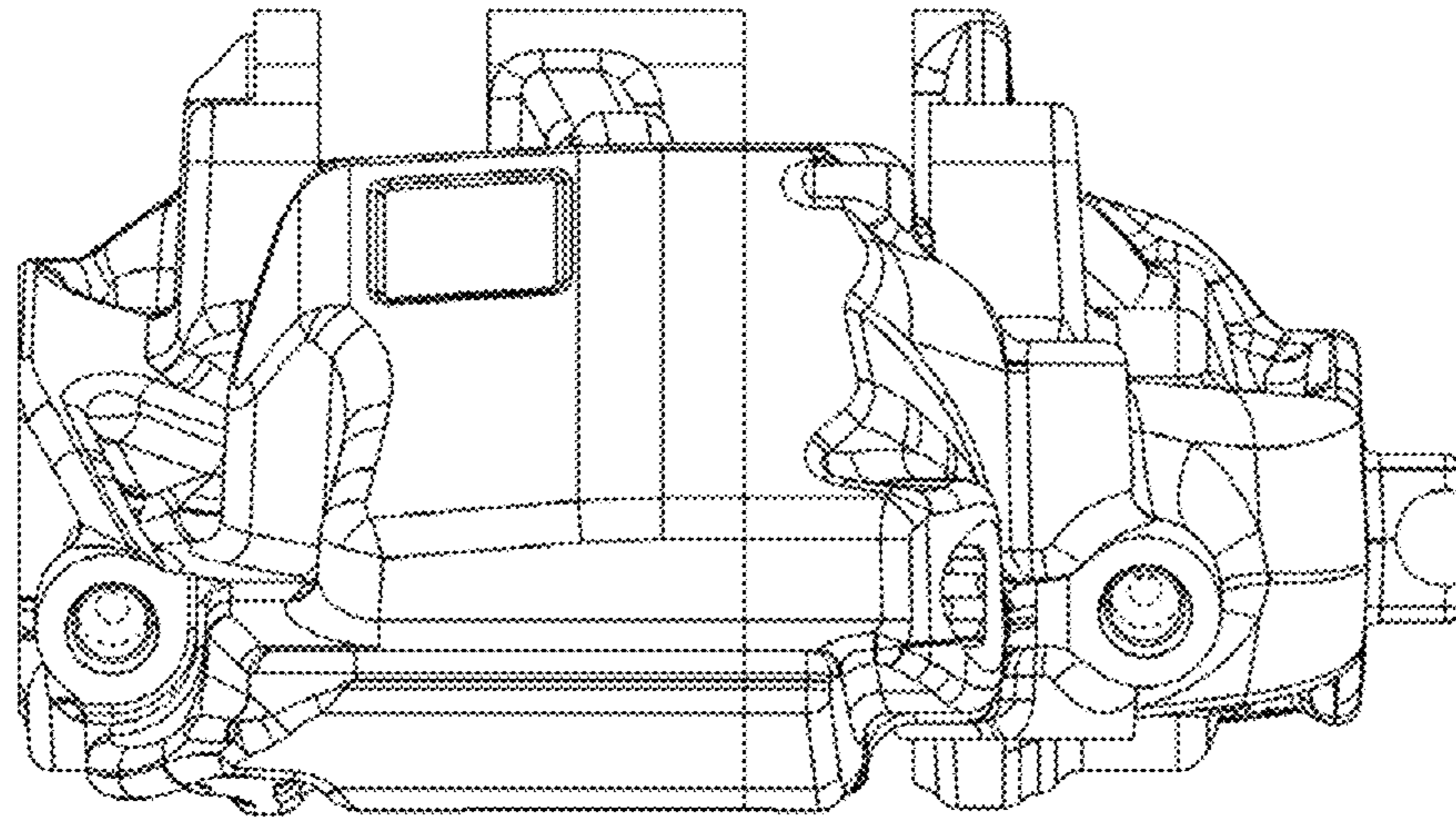


FIG. 2

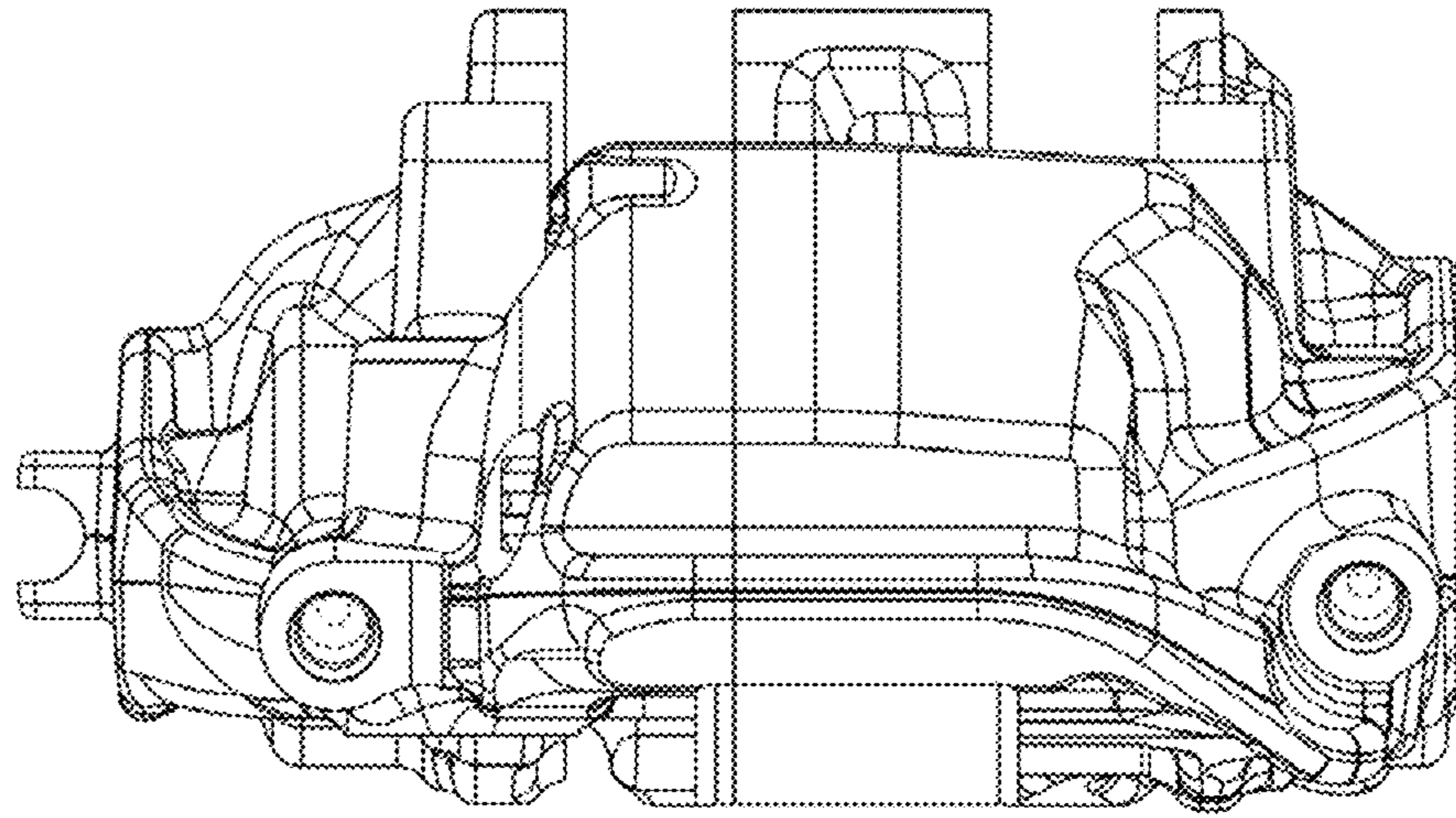


FIG. 3

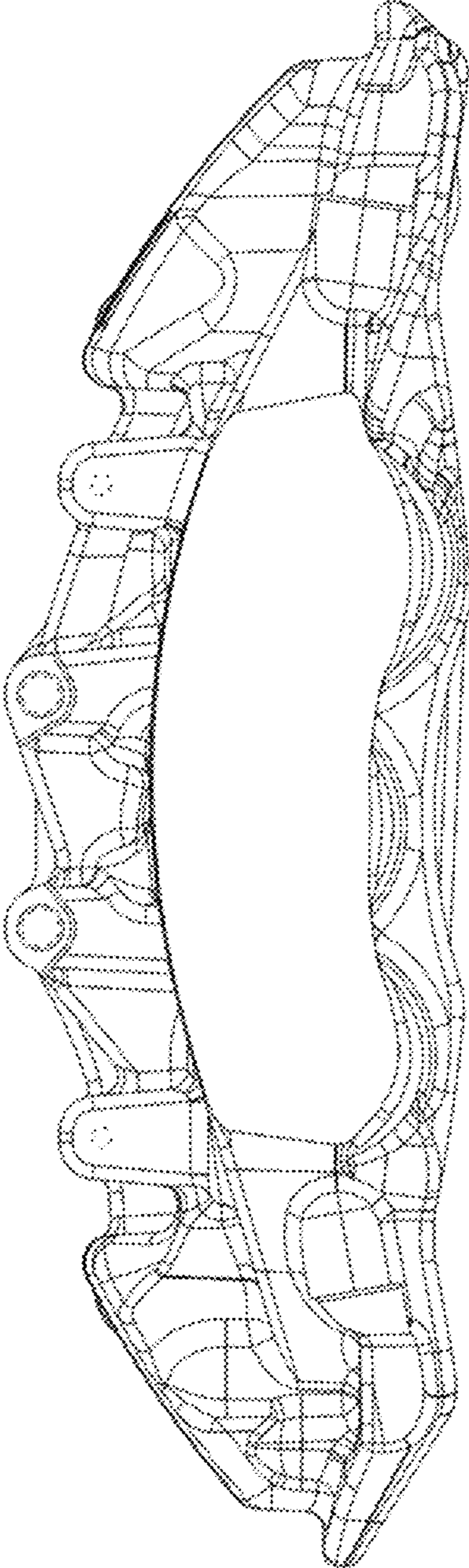


FIG. 4

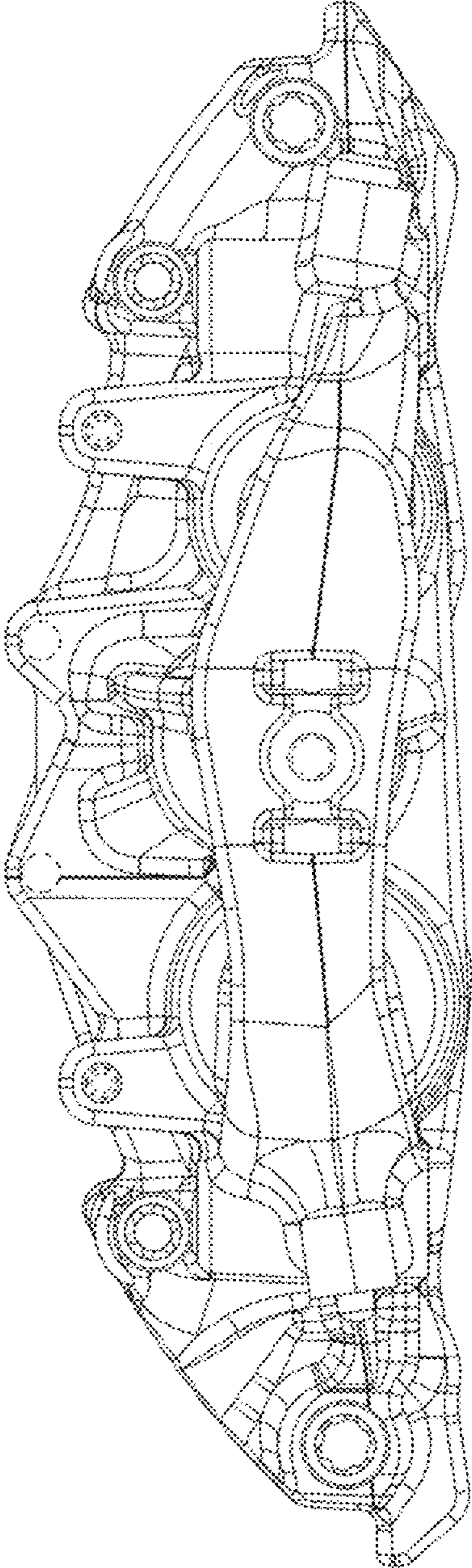


FIG. 5

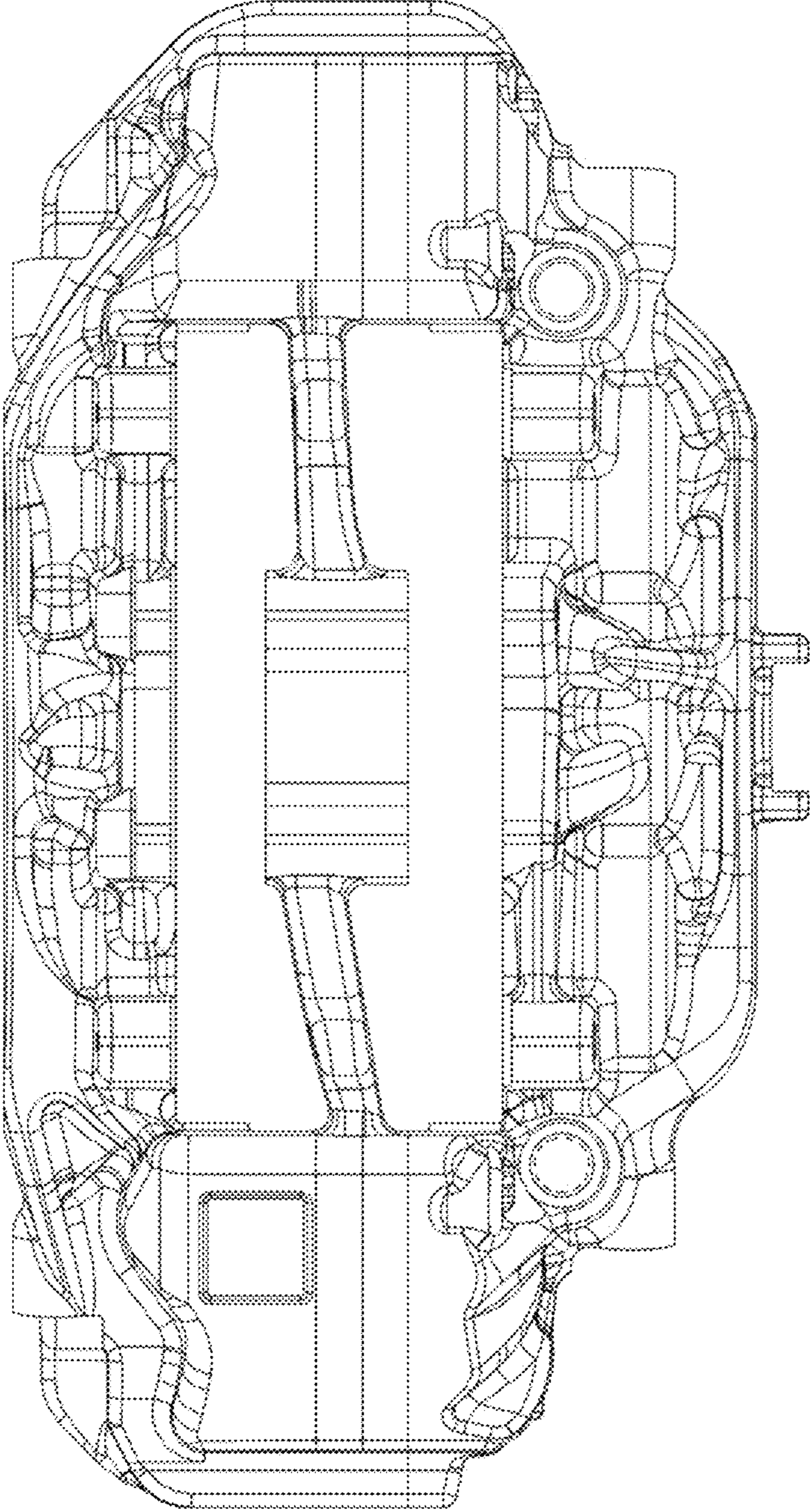


FIG. 6

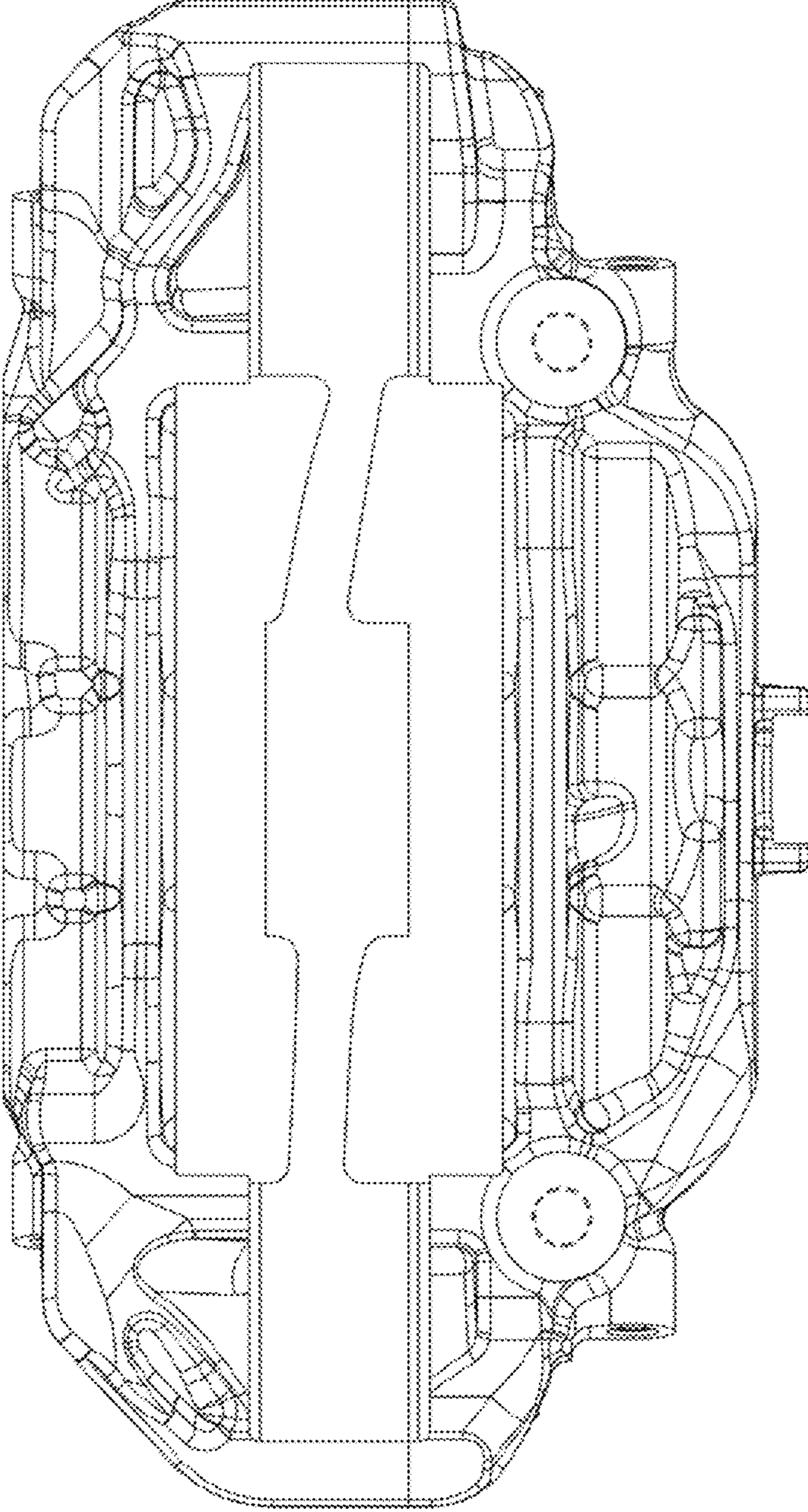


FIG. 7