



US00D868648S

(12) **United States Design Patent** (10) **Patent No.:** **US D868,648 S**
Lee et al. (45) **Date of Patent:** **** Dec. 3, 2019**

(54) **REAR BUMPER FOR AN AUTOMOBILE**

D824,300 S * 7/2018 Badstuebner D12/169
D841,535 S * 2/2019 Buckingham D12/169
D841,536 S * 2/2019 Ojea D12/169

(71) Applicants: **Chung Woo Lee**, Ypsilanti, MI (US);
Ian Richard Cartabiano, Torrance, CA
(US); **Tatsuya Kobayashi**, Kariya (JP)

(72) Inventors: **Chung Woo Lee**, Ypsilanti, MI (US);
Ian Richard Cartabiano, Torrance, CA
(US); **Tatsuya Kobayashi**, Kariya (JP)

(73) Assignee: **TOYOTA JIDOSHA KABUSHIKI**
KAISHA (JP)

(**) Term: **15 Years**

(21) Appl. No.: **29/638,826**

(22) Filed: **Mar. 1, 2018**

(51) **LOC (12) Cl.** **12-16**

(52) **U.S. Cl.**
USPC **D12/169**

(58) **Field of Classification Search**
USPC D12/169, 196, 86, 90-92, 163, 190, 98,
D12/164; 293/102, 113, 115, 117, 120,
293/193.11; 296/180.1, 180.2; 180/68.1,
180/68.6

CPC B60R 19/52; B60K 11/08; B62D 25/08;
B62B 9/16

See application file for complete search history.

(56) **References Cited**

U.S. PATENT DOCUMENTS

D788,657 S * 6/2017 Oohashi D12/169
D795,141 S * 8/2017 Ikeda D12/169
D796,395 S * 9/2017 Kojima D12/169
D807,799 S * 1/2018 Kimura D12/169
D820,739 S * 6/2018 Suga D12/169
D823,194 S * 7/2018 Gueler D12/169

OTHER PUBLICATIONS

Lexus, Lexus GS (2016), <<https://www.lexus.com/>>, available as early as Feb. 3, 2017.

Netcarshow, Mercedes-Benz C-Class (2015), <<https://www.netcarshow.com/mercedes-benz/2015-c-class/>>, available as early as Feb. 3, 2017.

Netcarshow, Lexus IS 350 (2017), <<https://www.netcarshow.com/lexus/2017-is/>>, available as early as Feb. 3, 2017.

Netcarshow, Mercedes-Benz CLA 200d (2017), <<https://www.netcarshow.com/mercedes-benz/2017-cla/>>, available as early as Feb. 3, 2017.

* cited by examiner

Primary Examiner — Melody N Brown

(74) *Attorney, Agent, or Firm* — Saidman DesignLaw Group, LLC

(57) **CLAIM**

The ornamental design for a rear bumper for an automobile, as shown and described.

DESCRIPTION

FIG. 1 is a perspective view of a rear bumper for an automobile showing our new design;

FIG. 2 is a front view thereof;

FIG. 3 is a rear view thereof;

FIG. 4 is a left side view thereof;

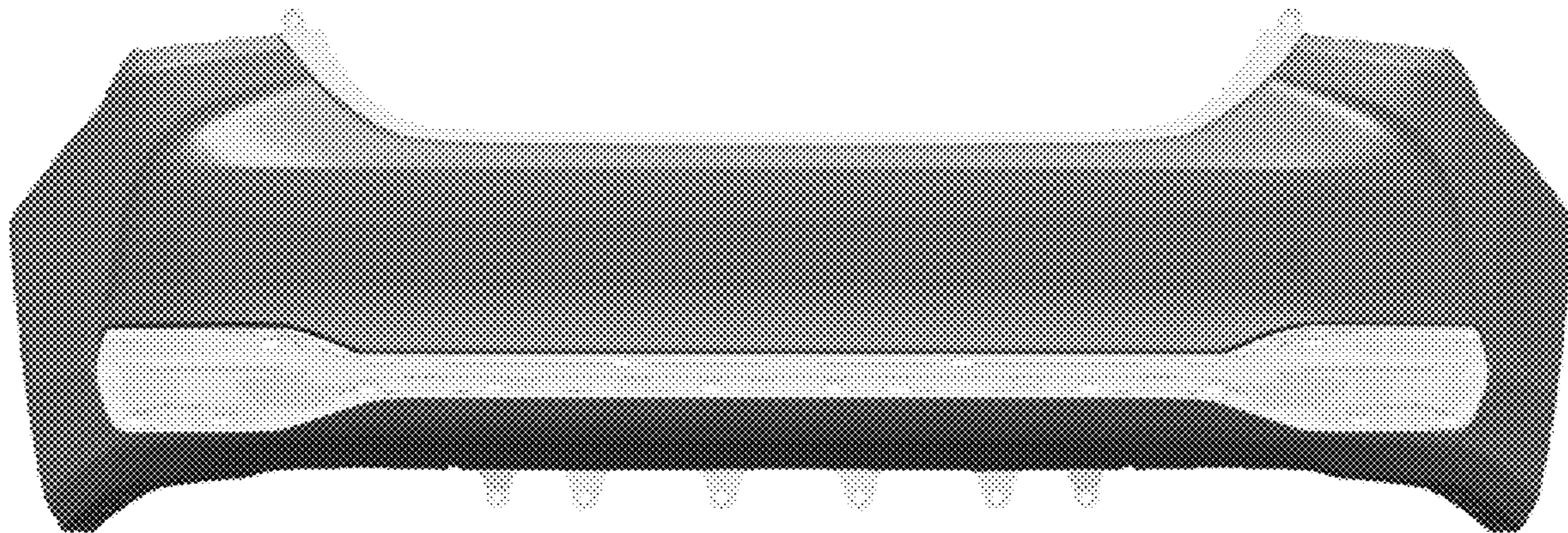
FIG. 5 is a right side view thereof;

FIG. 6 is a top view thereof; and,

FIG. 7 is a bottom view thereof.

The claimed design is indicated by the relatively dark portions in the figures. The relatively light portions form no part of the claimed design.

1 Claim, 7 Drawing Sheets



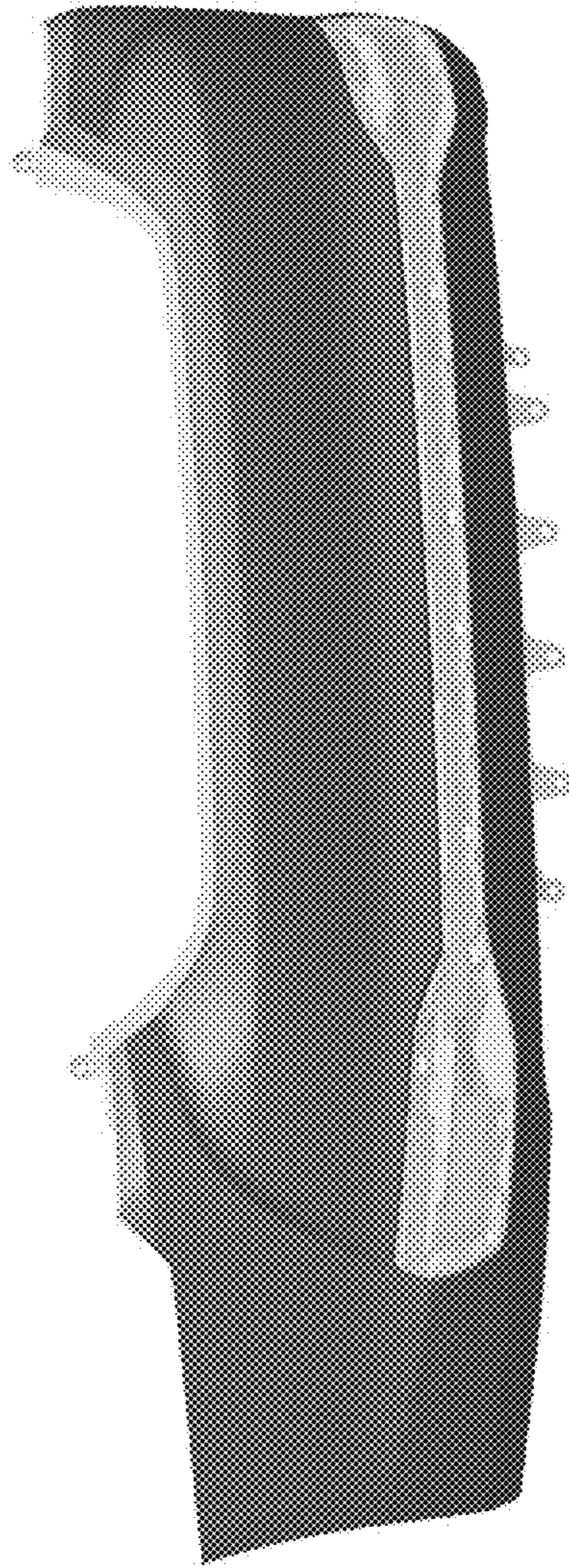


FIG. 1

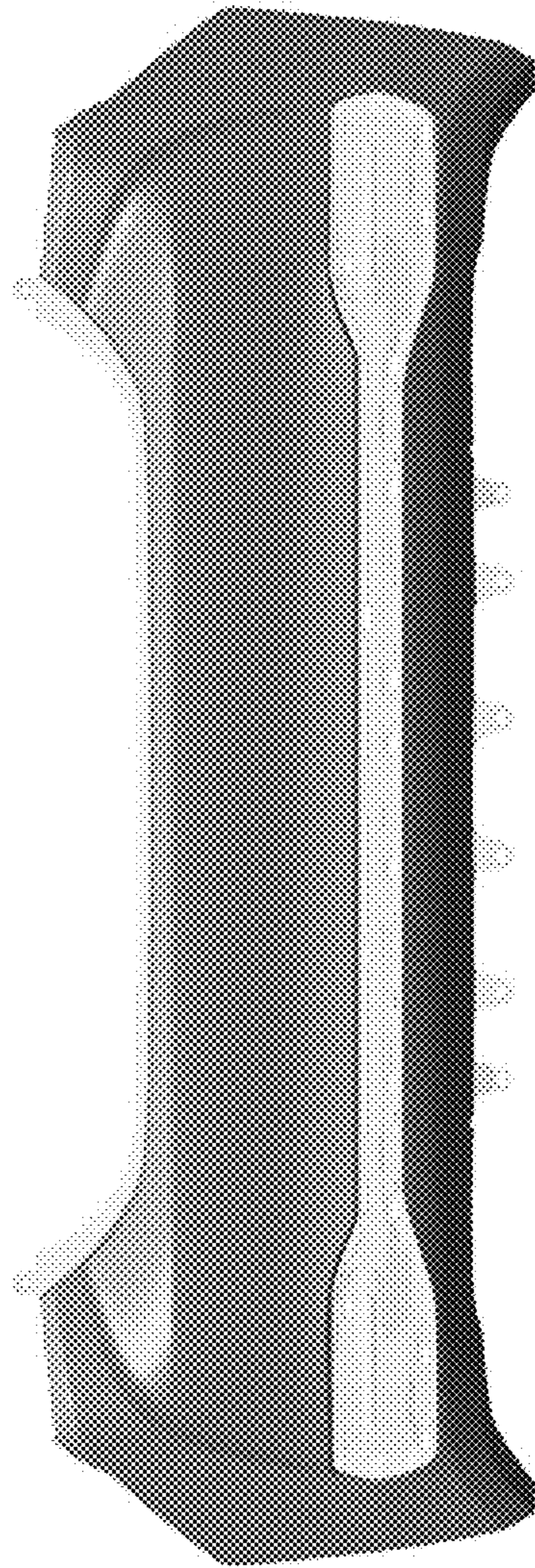


FIG. 2

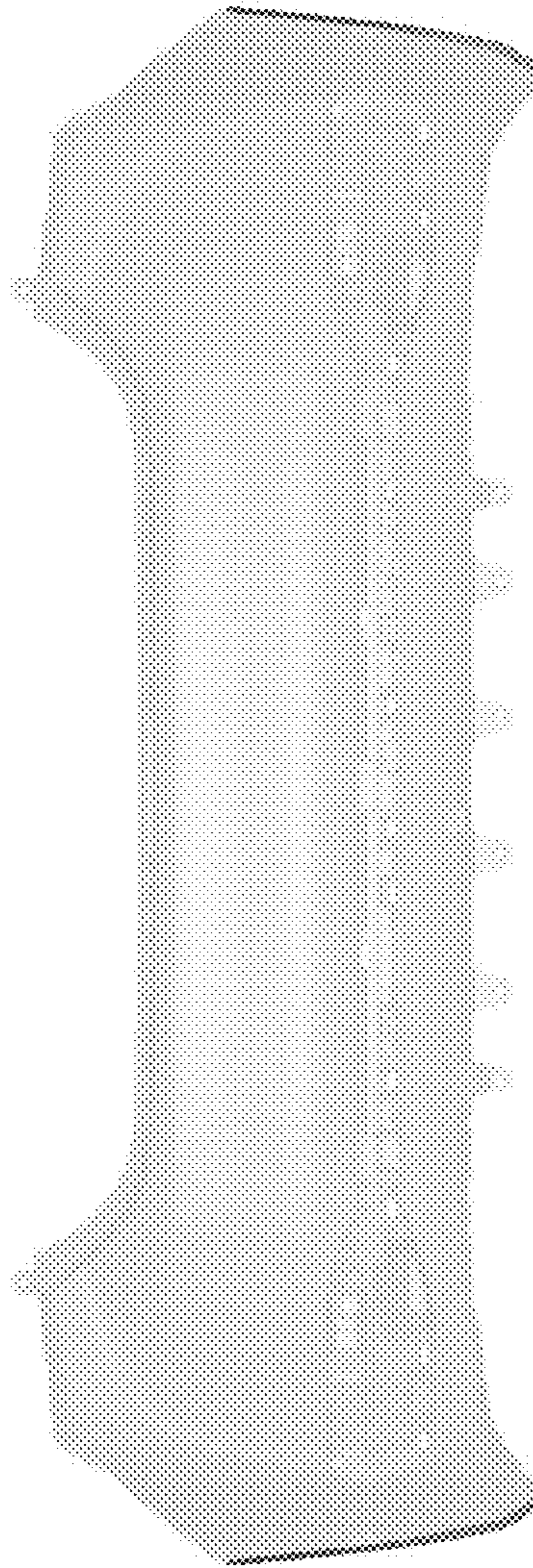


FIG. 3

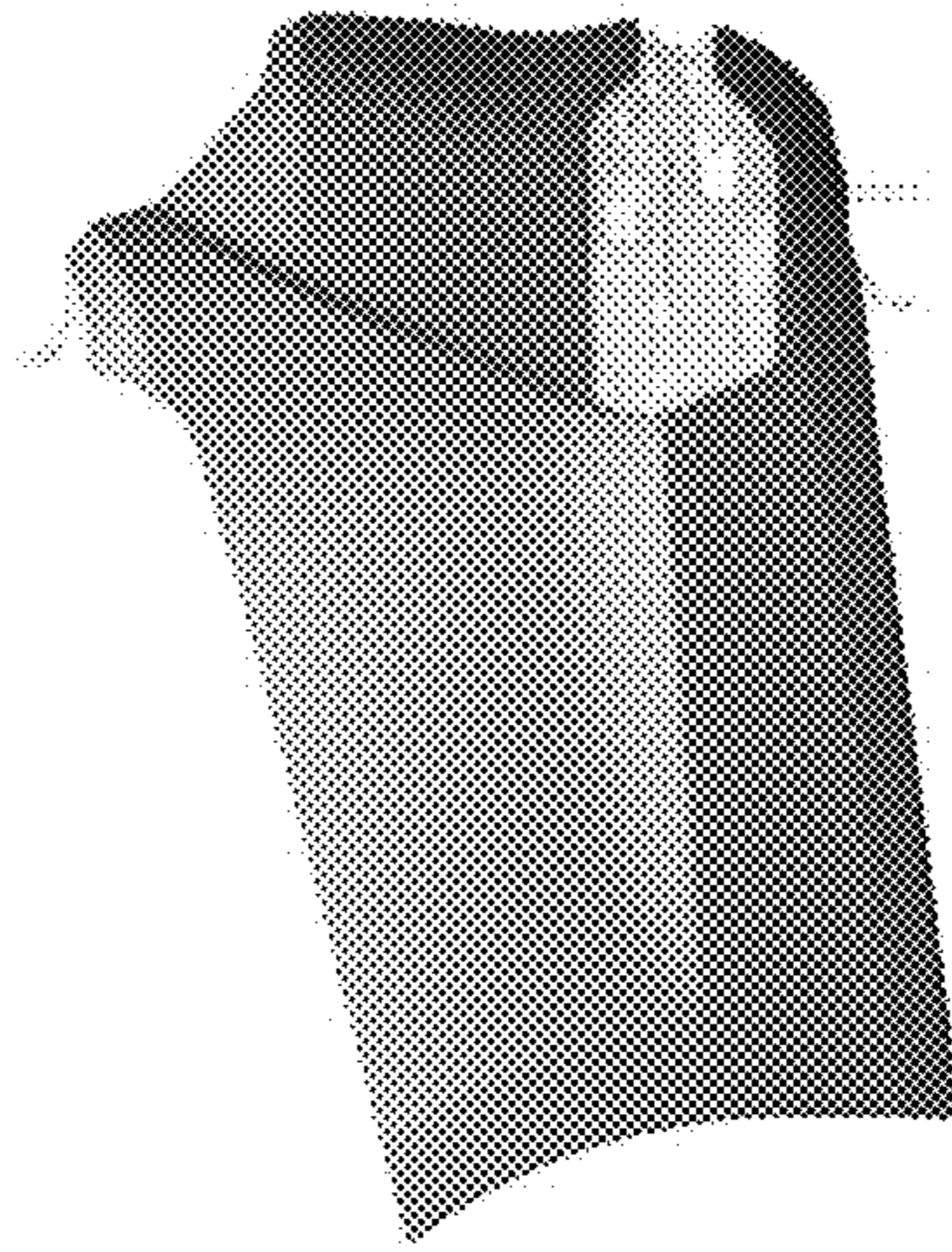


FIG. 4

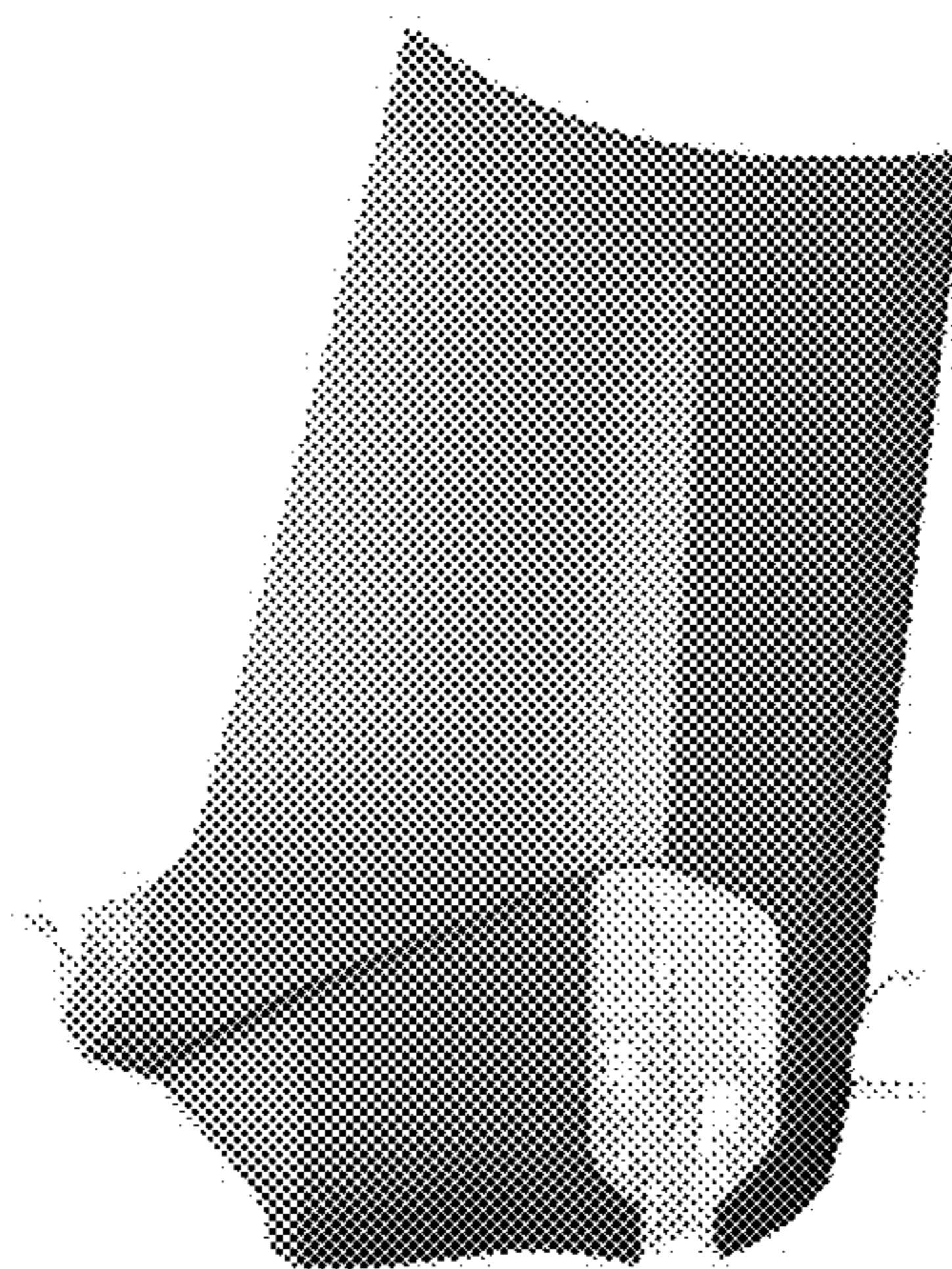


FIG. 5

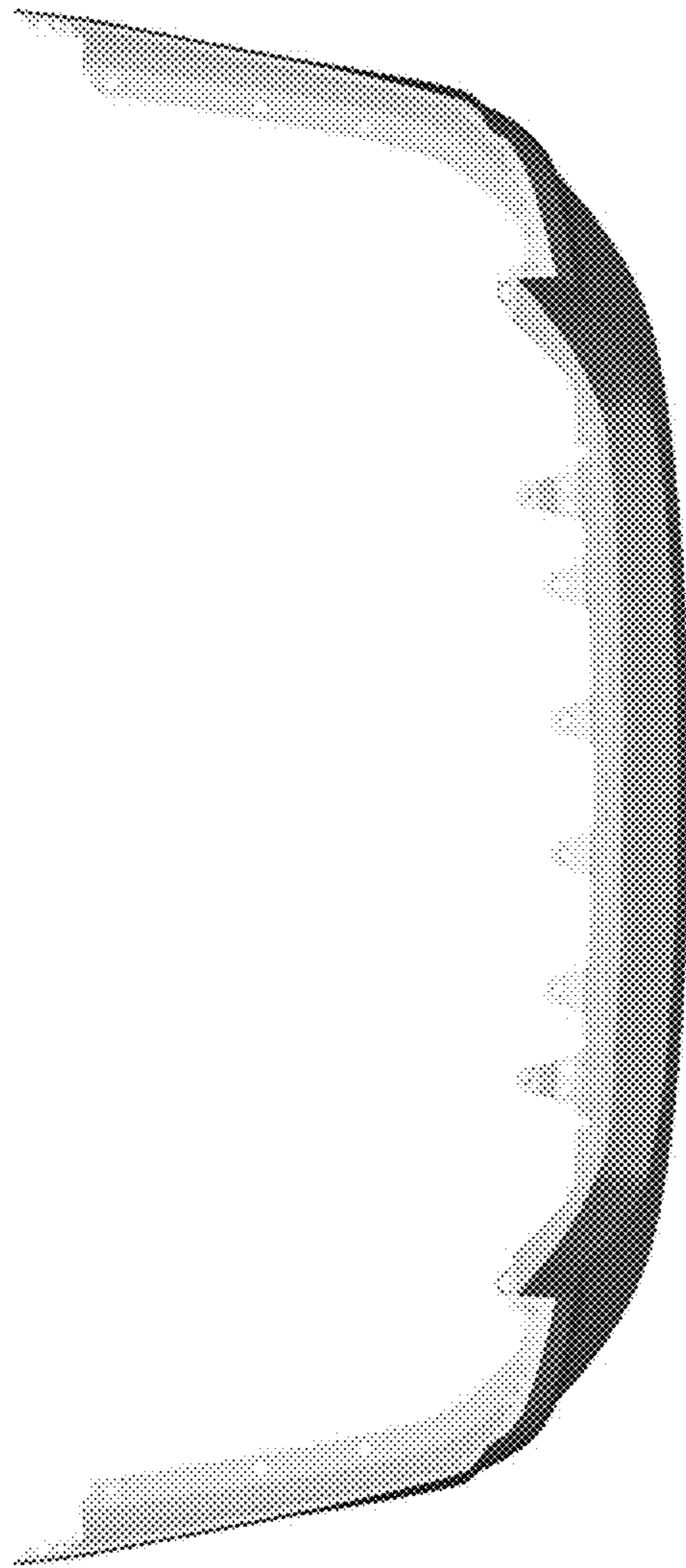


FIG. 6

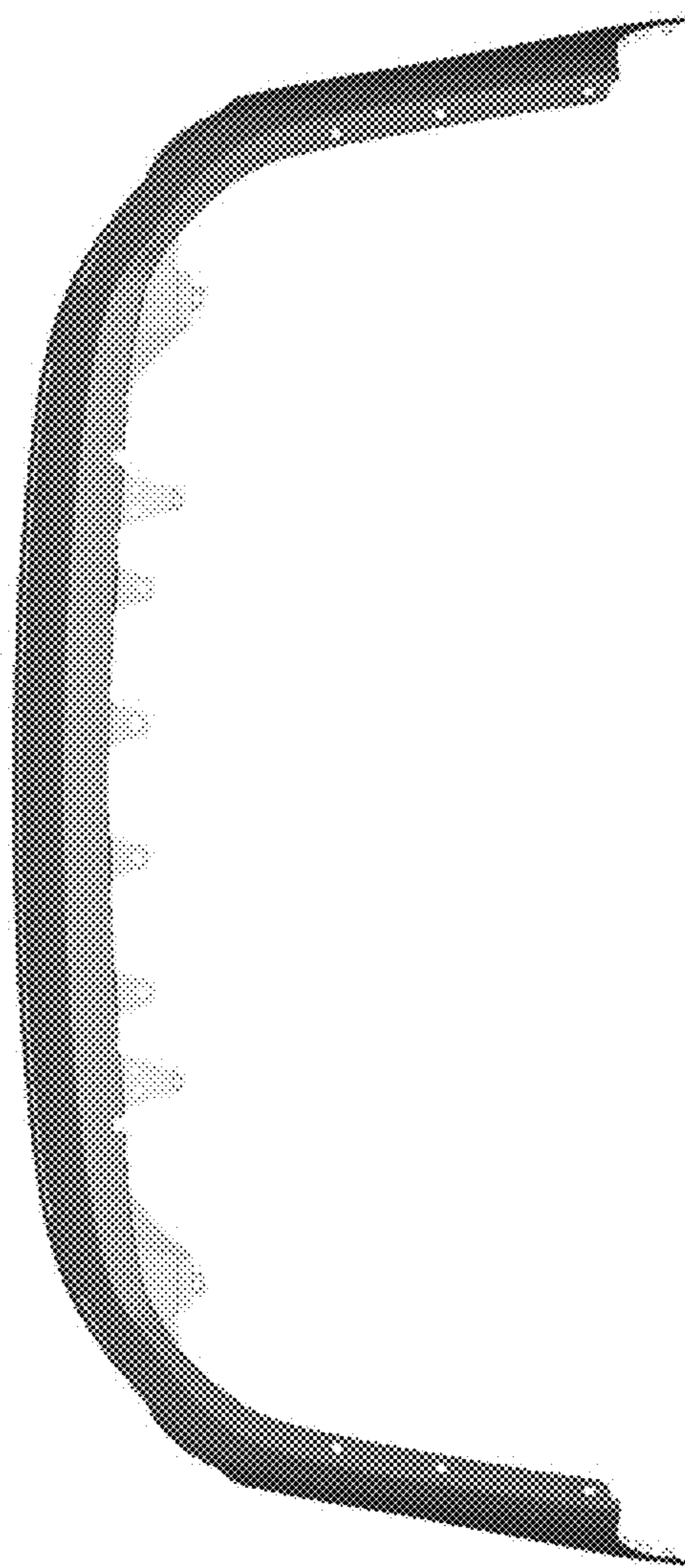


FIG. 7