

US00D868638S

(12) **United States Design Patent** (10) **Patent No.:** **US D868,638 S**
Tomasson et al. (45) **Date of Patent:** **** Dec. 3, 2019**

(54) **AIR-INTAKE GRILL FOR A VEHICLE**
(71) Applicant: **NIO NEXTEV LIMITED**, Hong Kong (HK)
(72) Inventors: **Kris Tomasson**, Hong Kong (HK); **Juho Suh**, Hong Kong (HK); **Jim Baste**, Hong Kong (HK); **Salvatore Aita**, Hong Kong (HK); **Vasily Kurkov**, Hong Kong (HK); **Soowan Park**, Hong Kong (HK)

D610,053 S 2/2010 Sakae et al.
D678,140 S * 3/2013 Hamilton D12/169
D679,225 S 4/2013 Gifford et al.
D680,918 S 4/2013 Yamada et al.
D701,151 S 3/2014 Cartabiano et al.
D714,686 S * 10/2014 Bischoff D12/91
D766,777 S * 9/2016 Suh D12/91
D775,003 S 12/2016 Pevovar et al.
D776,020 S 1/2017 Kapitonov
D780,646 S * 3/2017 Wolff D12/163
(Continued)

FOREIGN PATENT DOCUMENTS

(73) Assignee: **NIO NEXTEV LIMITED**, Hong Kong (HK)

EM 004382232-0015 * 10/2017
EM 005239548-0001 * 10/2017

(**) Term: **15 Years**

OTHER PUBLICATIONS

(21) Appl. No.: **29/614,096**

<http://inews.ifeng.com/51698315/news.shtml?&back&back> Aug. 21, 2017 (Year: 2017).*

(22) Filed: **Aug. 16, 2017**

(Continued)

(30) **Foreign Application Priority Data**

Apr. 14, 2017 (CN) 2017 3 0124151

Primary Examiner — Leanne Was-Englehart
(74) *Attorney, Agent, or Firm* — Hogan Lovells US LLP

(51) **LOC (12) Cl.** **12-16**

(57) **CLAIM**

(52) **U.S. Cl.**
USPC **D12/163**

The ornamental design for an air-intake grill for a vehicle, as shown and described.

(58) **Field of Classification Search**

DESCRIPTION

USPC D12/86, 163, 164, 167, 169–172, 216;
D21/424, 427, 433, 483, 533, 548
CPC B60R 19/02; B60R 19/04; B60R 19/18;
B60R 19/24; B60R 19/26; B60R 19/52;
B62D 25/08; B60K 11/08
See application file for complete search history.

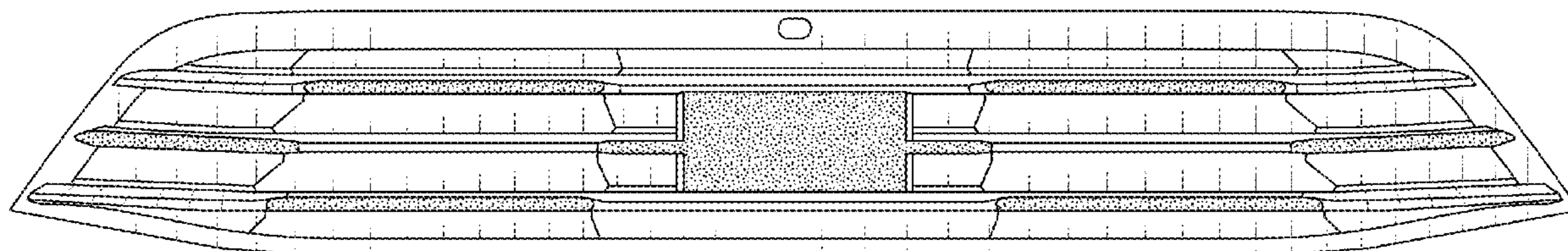
FIG. 1 is a front view thereof;
FIG. 2 is a rear view thereof;
FIG. 3 is a left side view thereof;
FIG. 4 is a right side view thereof;
FIG. 5 is a top view thereof;
FIG. 6 is a bottom view thereof;
FIG. 7 is a perspective view thereof;
FIG. 8 is a perspective view thereof;
FIG. 9 is an enlarged left side view thereof; and,
FIG. 10 is an enlarged right side view thereof.

(56) **References Cited**

U.S. PATENT DOCUMENTS

2,854,104 A 9/1958 Marcy, Jr., et al.
D585,796 S 2/2009 Nagasaka et al.
D589,853 S 4/2009 Saridakis et al.
D589,856 S * 4/2009 Woolley D12/169
D591,210 S * 4/2009 Woolley D12/169

1 Claim, 10 Drawing Sheets



(56)

References Cited

U.S. PATENT DOCUMENTS

D782,943	S	4/2017	Kavaja	
D782,944	S	4/2017	Pevovar et al.	
D794,517	S	8/2017	Woolley	
D796,999	S *	9/2017	Klimov	D12/92
D801,867	S *	11/2017	Bischoff	D12/91
D827,513	S *	9/2018	Gueler	D12/163
D835,000	S *	12/2018	Tomasson	D12/91
D837,700	S *	1/2019	Gueler	D12/163
2007/0182174	A1	8/2007	Nakayama et al.	
2011/0181062	A1	7/2011	Bernt et al.	
2014/0291056	A1	10/2014	Takanaga et al.	

OTHER PUBLICATIONS

Non-Final Office Action, corresponding to U.S. Appl. No. 29/614,100, dated May 24, 2018.

* cited by examiner

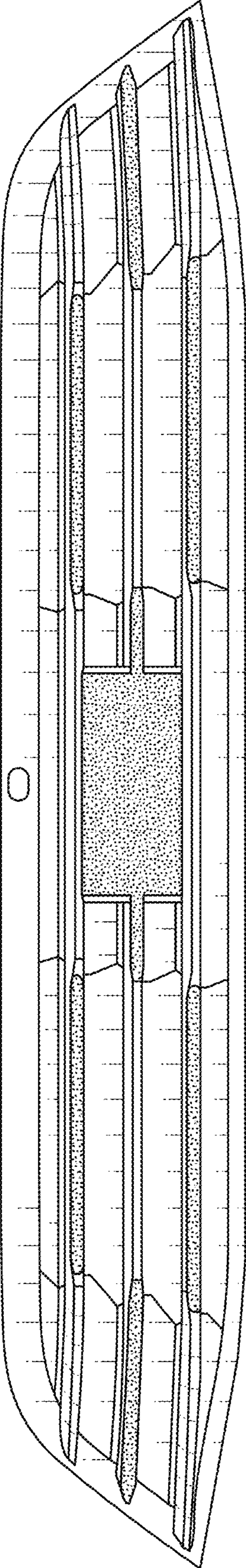


FIG. 1

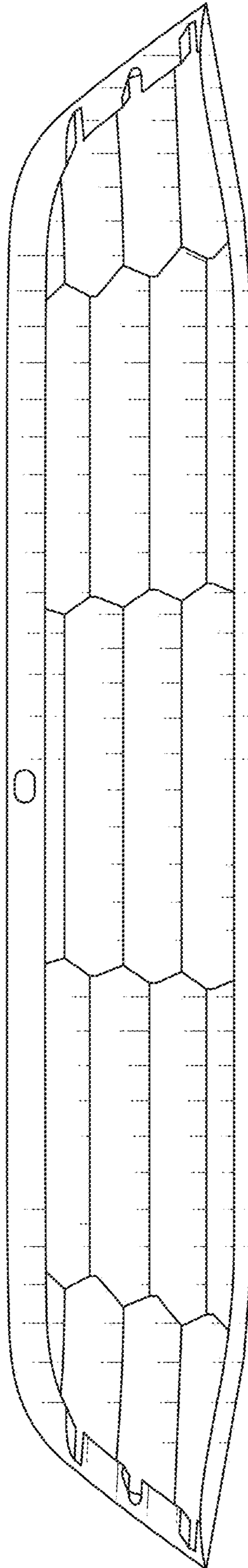


FIG. 2

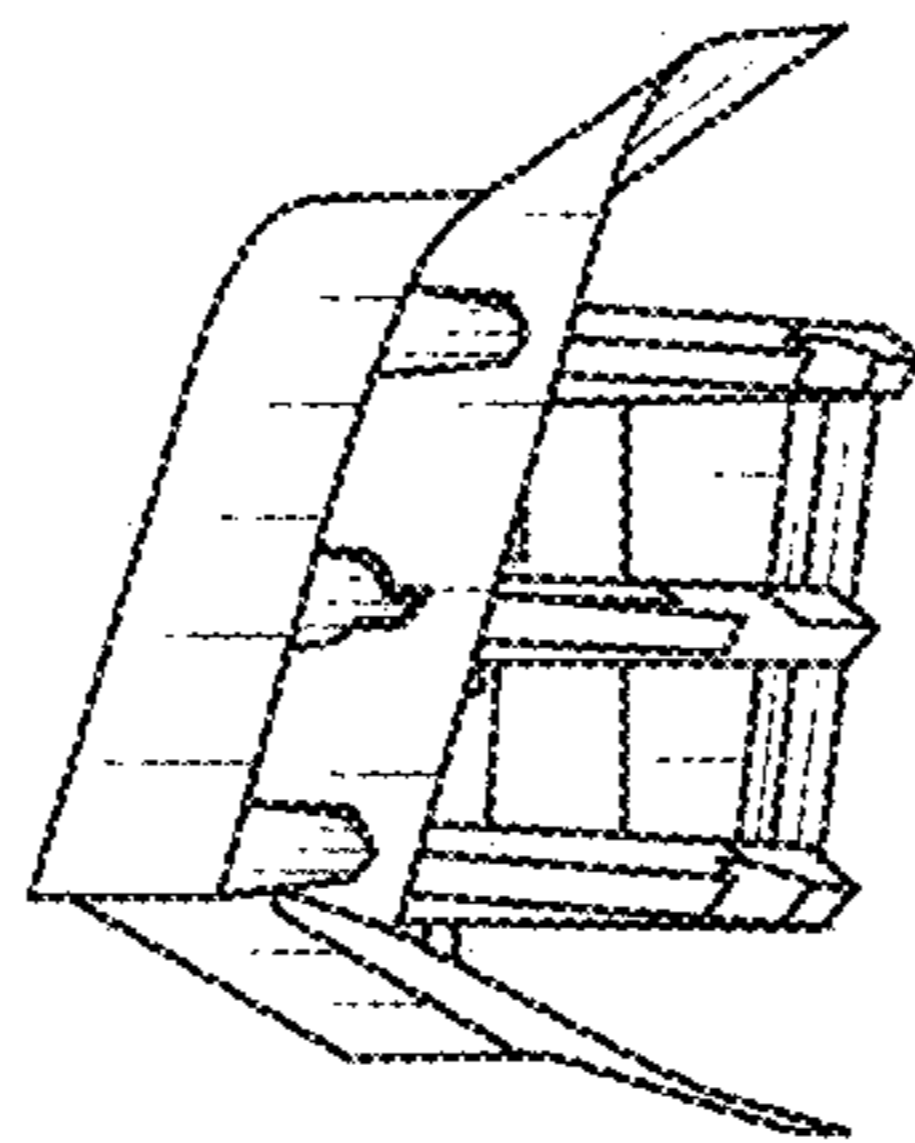


FIG. 3

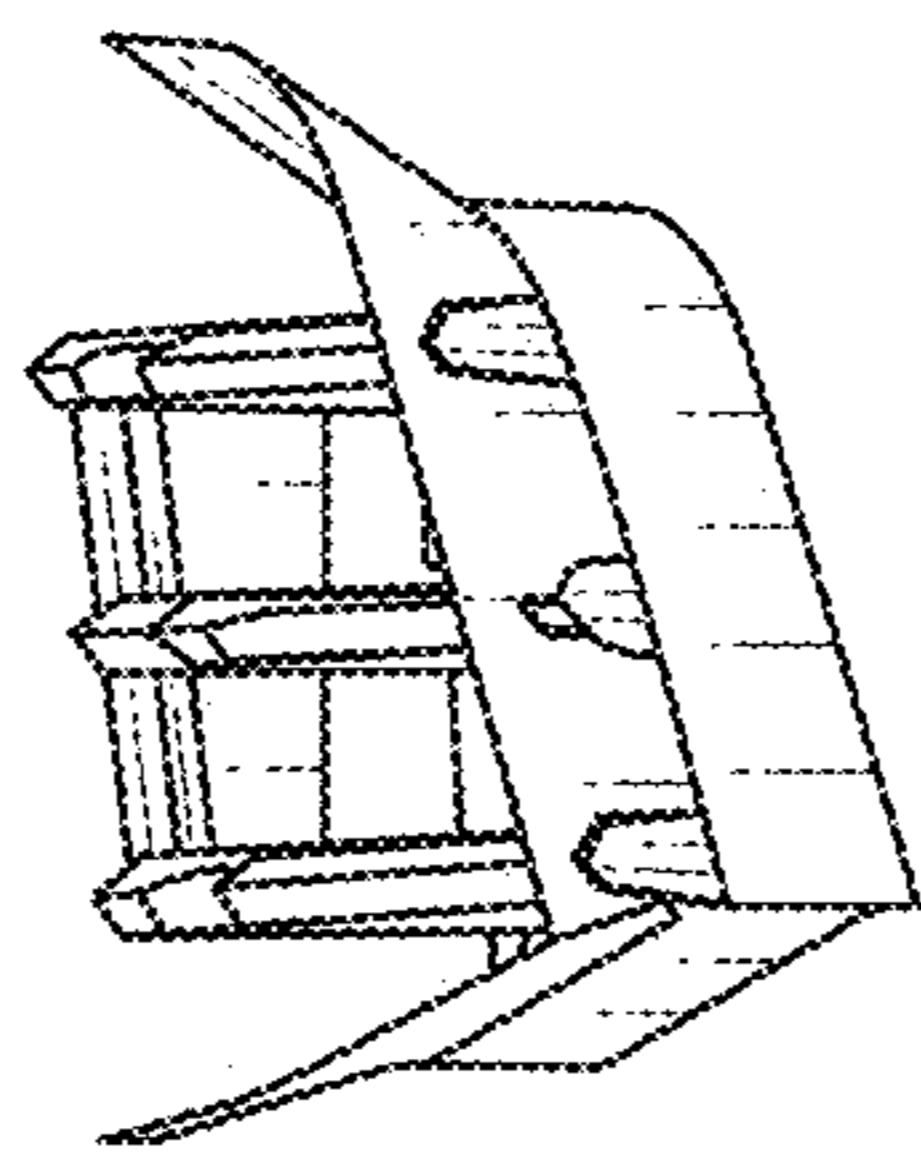


FIG. 4

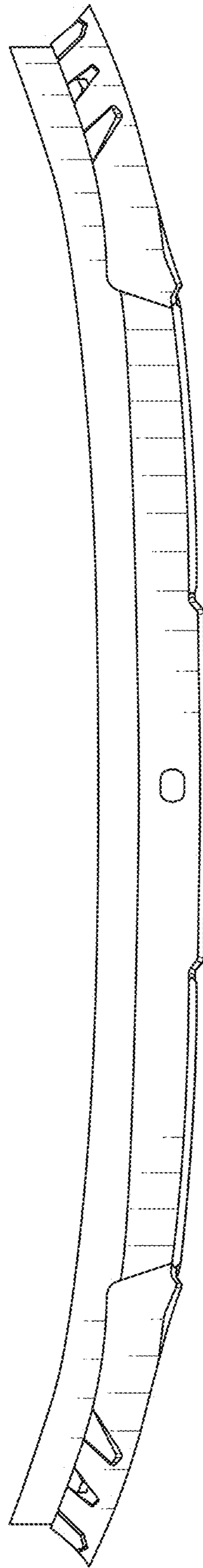


FIG. 5

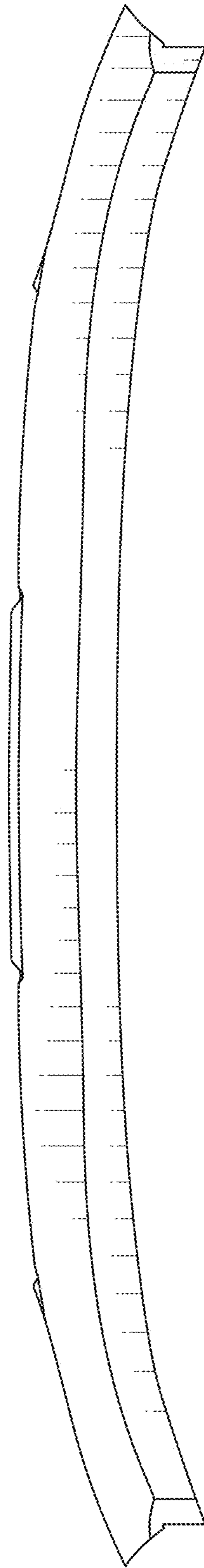


FIG. 6

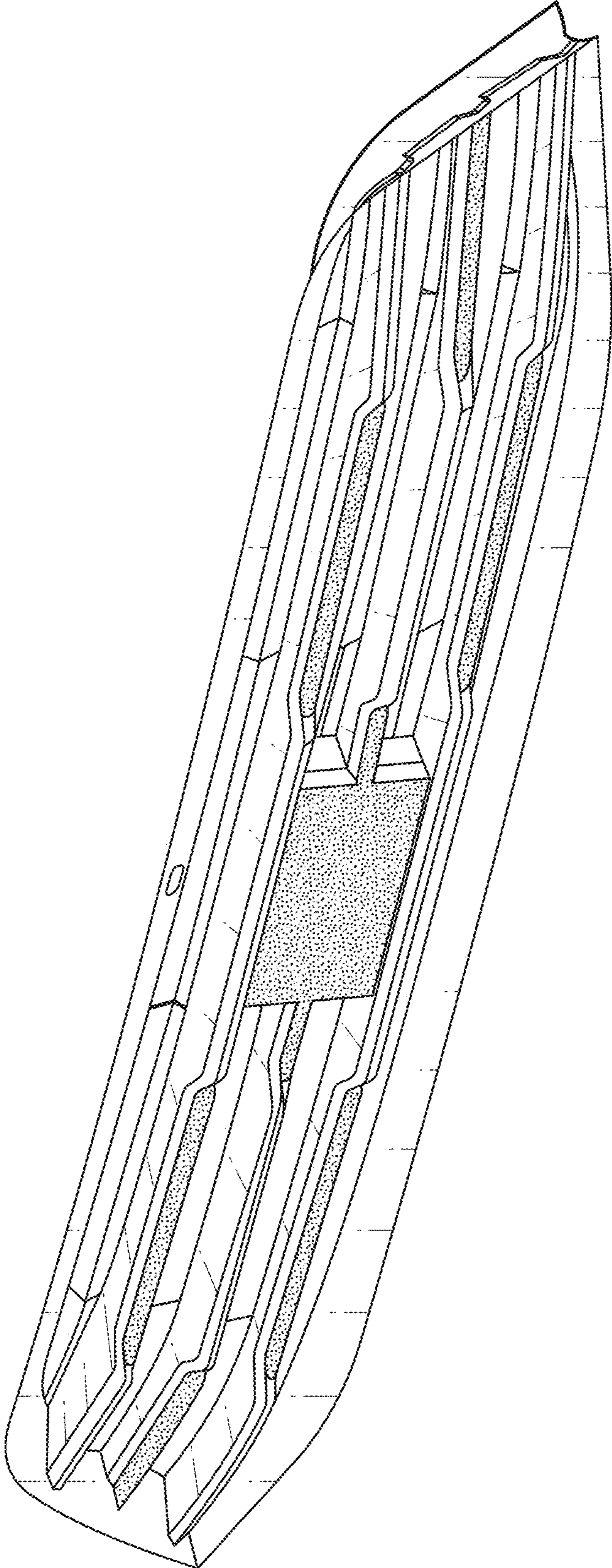


FIG. 7

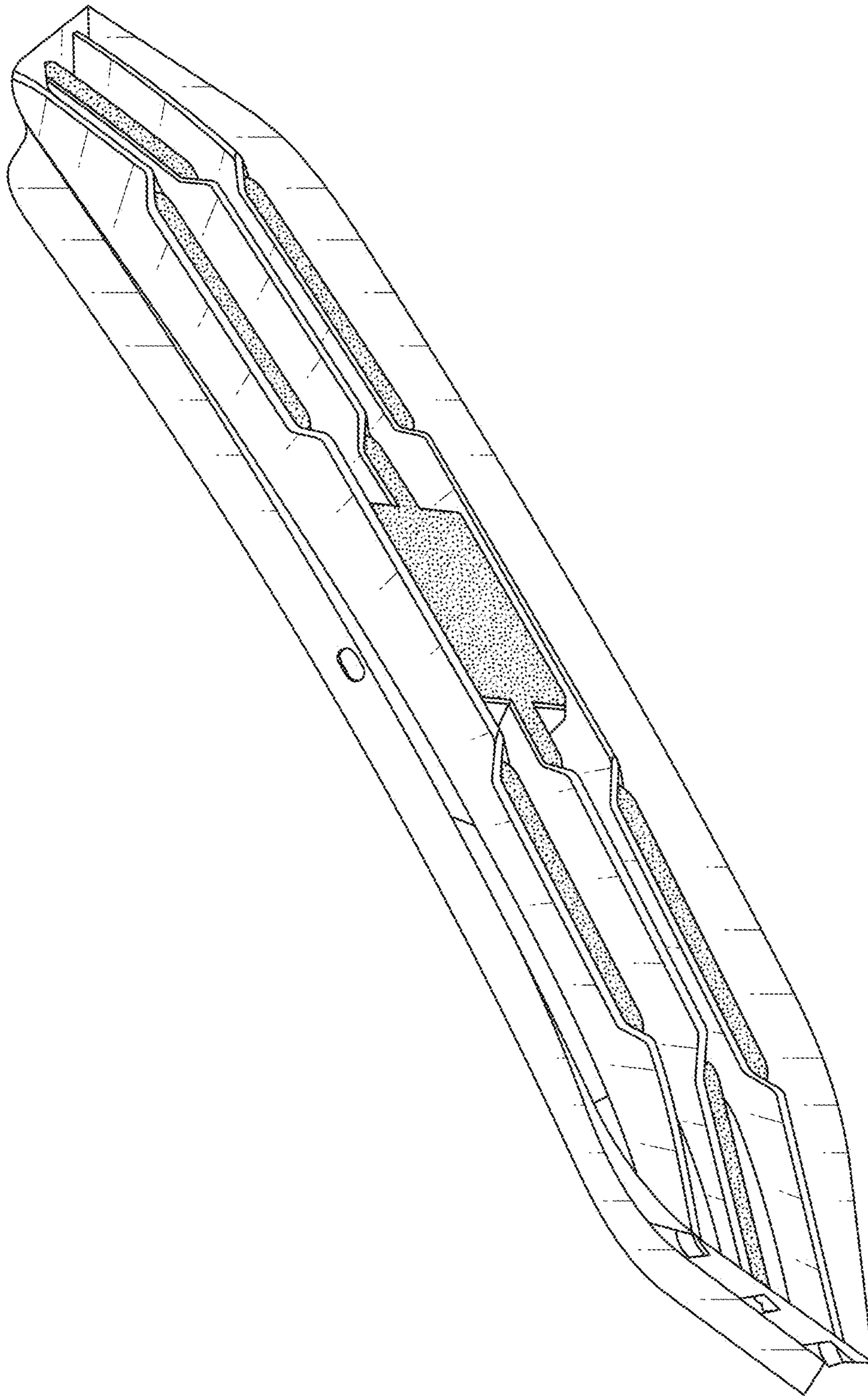


FIG. 8

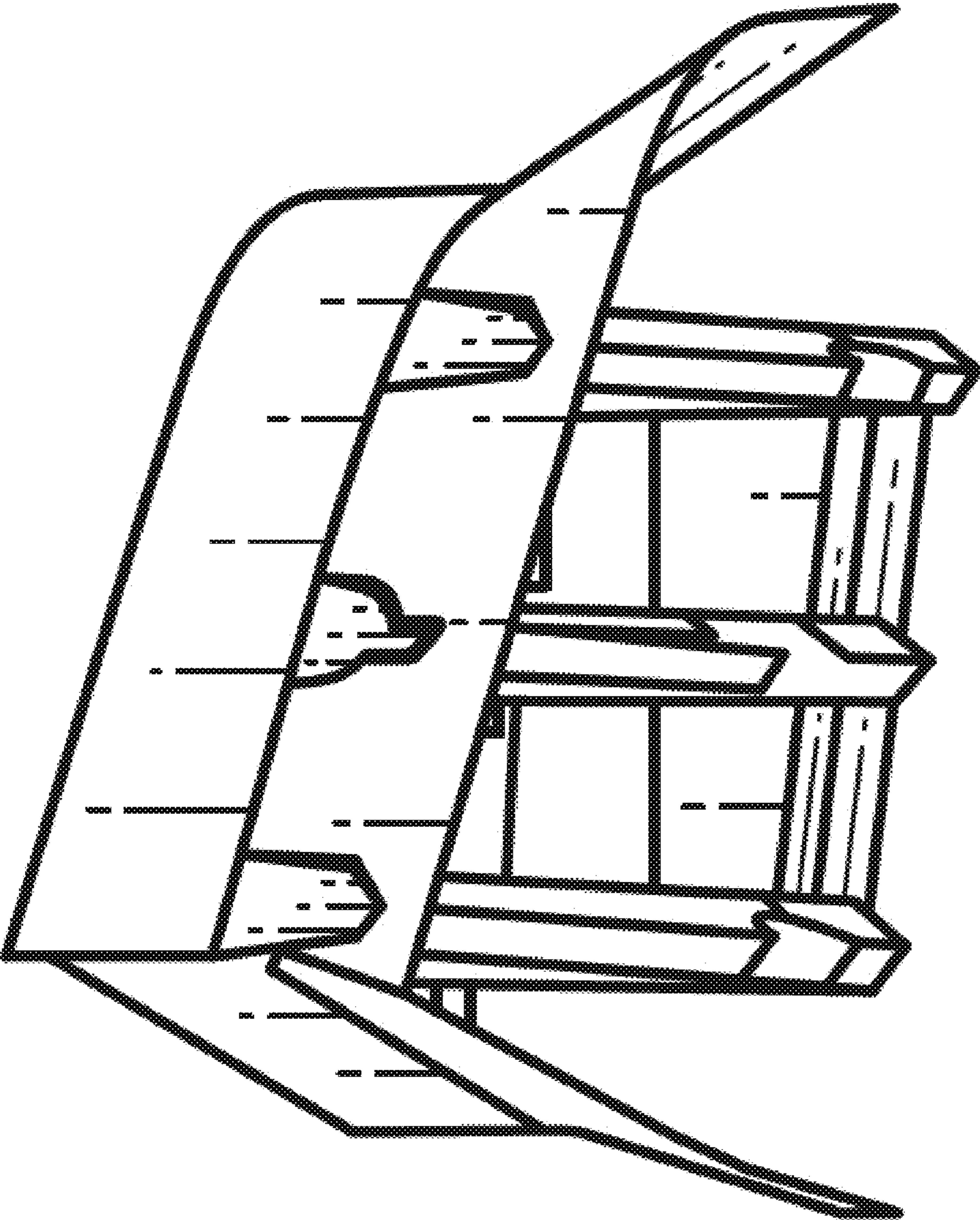


FIG. 9

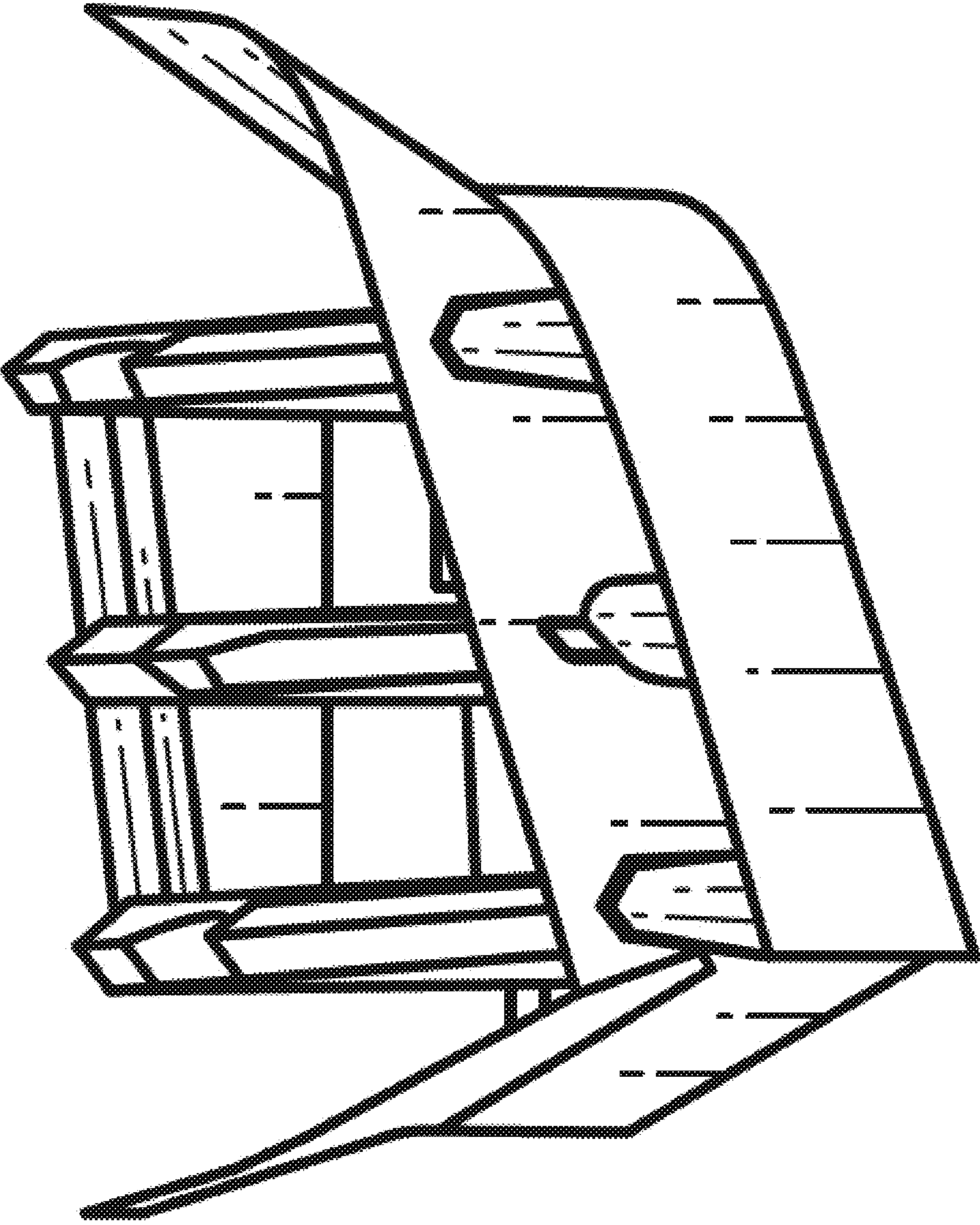


FIG. 10