



US00D868637S

(12) **United States Design Patent** (10) **Patent No.:** **US D868,637 S**
Donahue (45) **Date of Patent:** **** Dec. 3, 2019**

(54) **FOOT CLIP**
 (71) Applicant: **Kevin Donahue**, Dallas, TX (US)
 (72) Inventor: **Kevin Donahue**, Dallas, TX (US)
 (**) Term: **15 Years**

D440,618 S * 4/2001 McKenzie D21/768
 6,510,764 B2 * 1/2003 Vito B62M 3/083
 74/594.6
 6,513,309 B1 * 2/2003 Morgante B68C 3/00
 54/47

(Continued)

(21) Appl. No.: **29/622,447**
 (22) Filed: **Oct. 17, 2017**
 (51) **LOC (12) Cl.** **12-11**
 (52) **U.S. Cl.**
 USPC **D12/125**
 (58) **Field of Classification Search**
 USPC D12/125; D21/663, 694, 768; 74/594.6;
 36/122
 CPC B62M 3/083; B62M 3/086; A43B 11/00
 See application file for complete search history.

FOREIGN PATENT DOCUMENTS

WO 2016048161 A1 3/2013
Primary Examiner — David G Muller
 (74) *Attorney, Agent, or Firm* — Polsinelli PC; Adam C. Rehm

(57) **CLAIM**

The ornamental design for a foot clip, as shown and described.

DESCRIPTION

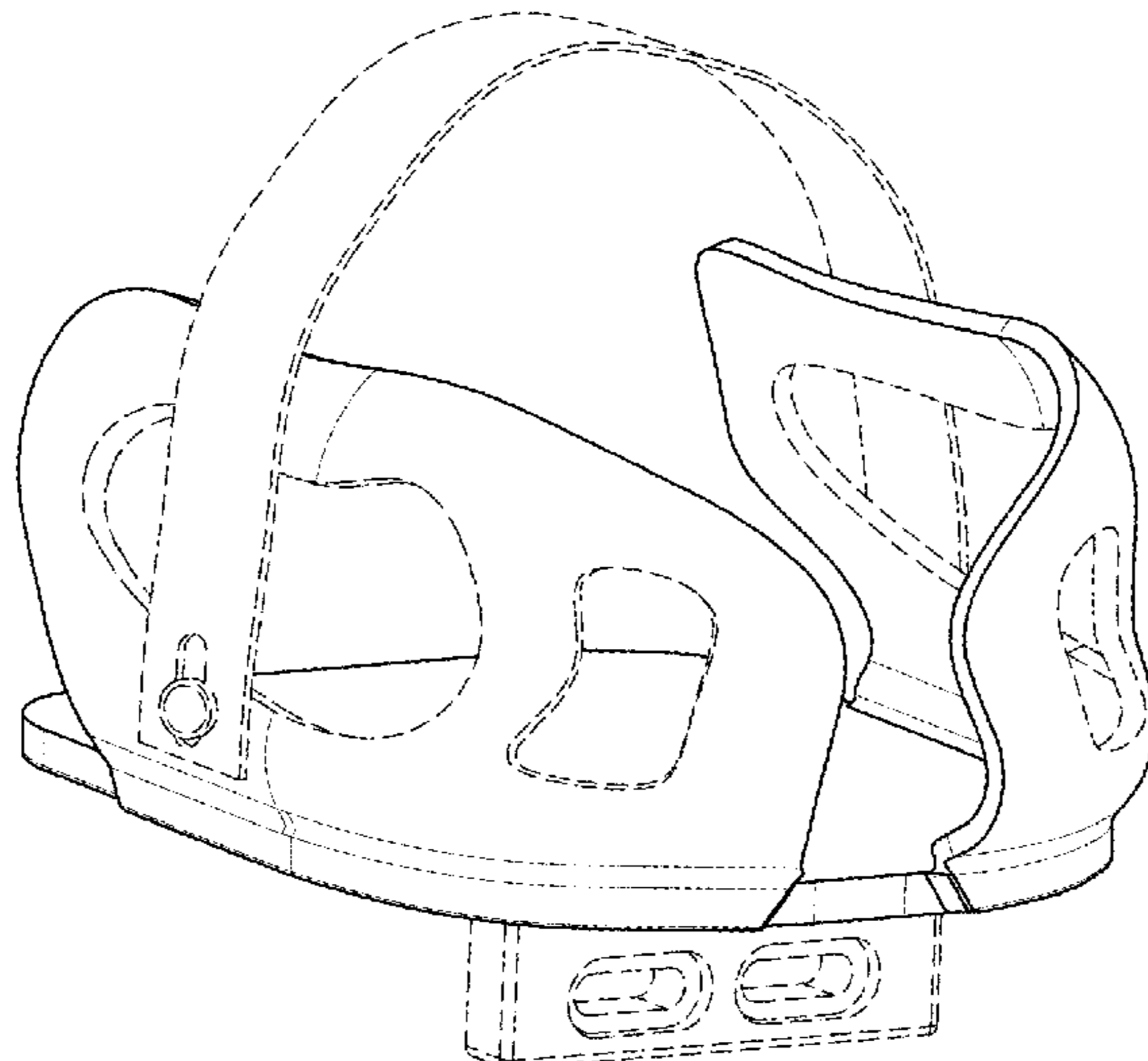
FIG. 1 is a front, top, right side perspective view of a foot clip according to an embodiment of the new design;
 FIG. 2 is a front side elevation view thereof;
 FIG. 3 is a right side elevation view thereof, the left side elevation view being a mirror image thereof;
 FIG. 4 is a rear side elevation view thereof;
 FIG. 5 is a top plan view thereof;
 FIG. 6 is a bottom plan view thereof;
 FIG. 7 is a front, top, left side perspective view of a foot clip according to an embodiment of the new design;
 FIG. 8 is a front side elevation view thereof;
 FIG. 9 is a left side elevation view thereof, the right side elevation view being a mirror image thereof;
 FIG. 10 is a rear side elevation view thereof;
 FIG. 11 is a top plan view thereof; and
 FIG. 12 is a bottom plan view thereof.
 Various embodiments of the foot clip are foreseen, which are disclosed and described using solid lines and broken lines, the broken lines forming no part of the claimed design.

(56) **References Cited**

U.S. PATENT DOCUMENTS

589,988 A 9/1897 Young
 3,808,910 A * 5/1974 Desbois A43B 5/14
 74/594.6
 4,237,628 A * 12/1980 Etancelin A43B 5/14
 36/131
 D262,873 S * 2/1982 Okajima D12/125
 D275,846 S * 10/1984 Buchanan, Jr. D12/125
 D286,993 S * 12/1986 Kotamaki D12/125
 4,638,685 A * 1/1987 Cigolini B62M 3/083
 280/288.4
 4,762,019 A * 8/1988 Beyl A43B 5/14
 36/131
 D302,259 S * 7/1989 Konzorr D12/125
 D308,840 S * 6/1990 Tackles D12/125
 4,945,787 A * 8/1990 Bigolin B62M 3/083
 36/131
 D323,478 S * 1/1992 Ueda 74/594.6
 6,035,743 A * 3/2000 Gapinski B62M 3/083
 36/131
 D424,644 S * 5/2000 Kiniry D21/768

1 Claim, 12 Drawing Sheets



(56)

References Cited

U.S. PATENT DOCUMENTS

7,000,500 B2 *	2/2006	Pyles	B62M 3/083 74/594.6
D572,321 S *	7/2008	Clark	D21/694
7,509,757 B2	3/2009	Monsees et al.	
7,938,040 B2 *	5/2011	Deng	B62M 3/08 74/594.4
D794,142 S *	8/2017	Zhou	D21/663

* cited by examiner

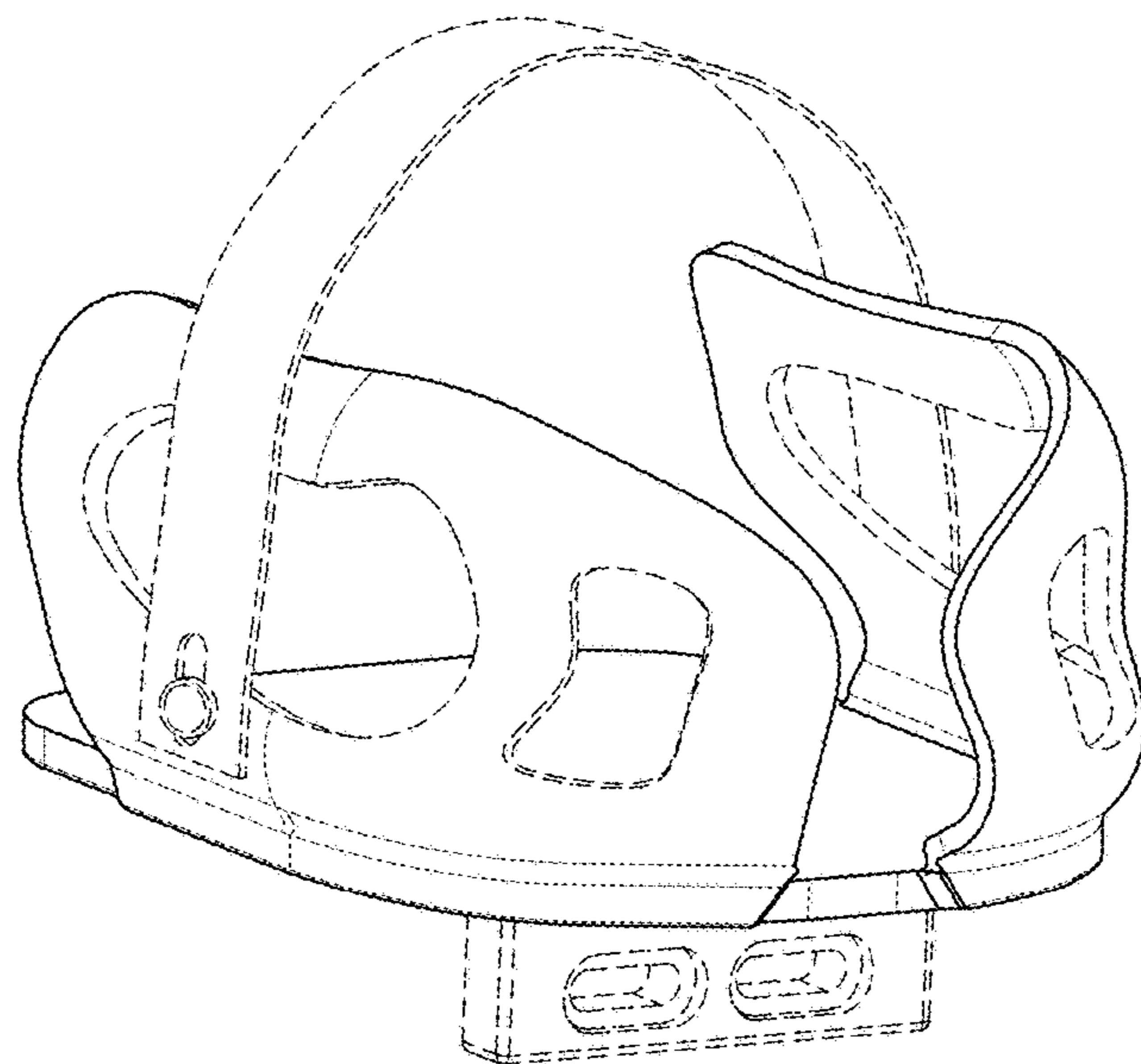


FIG. 1

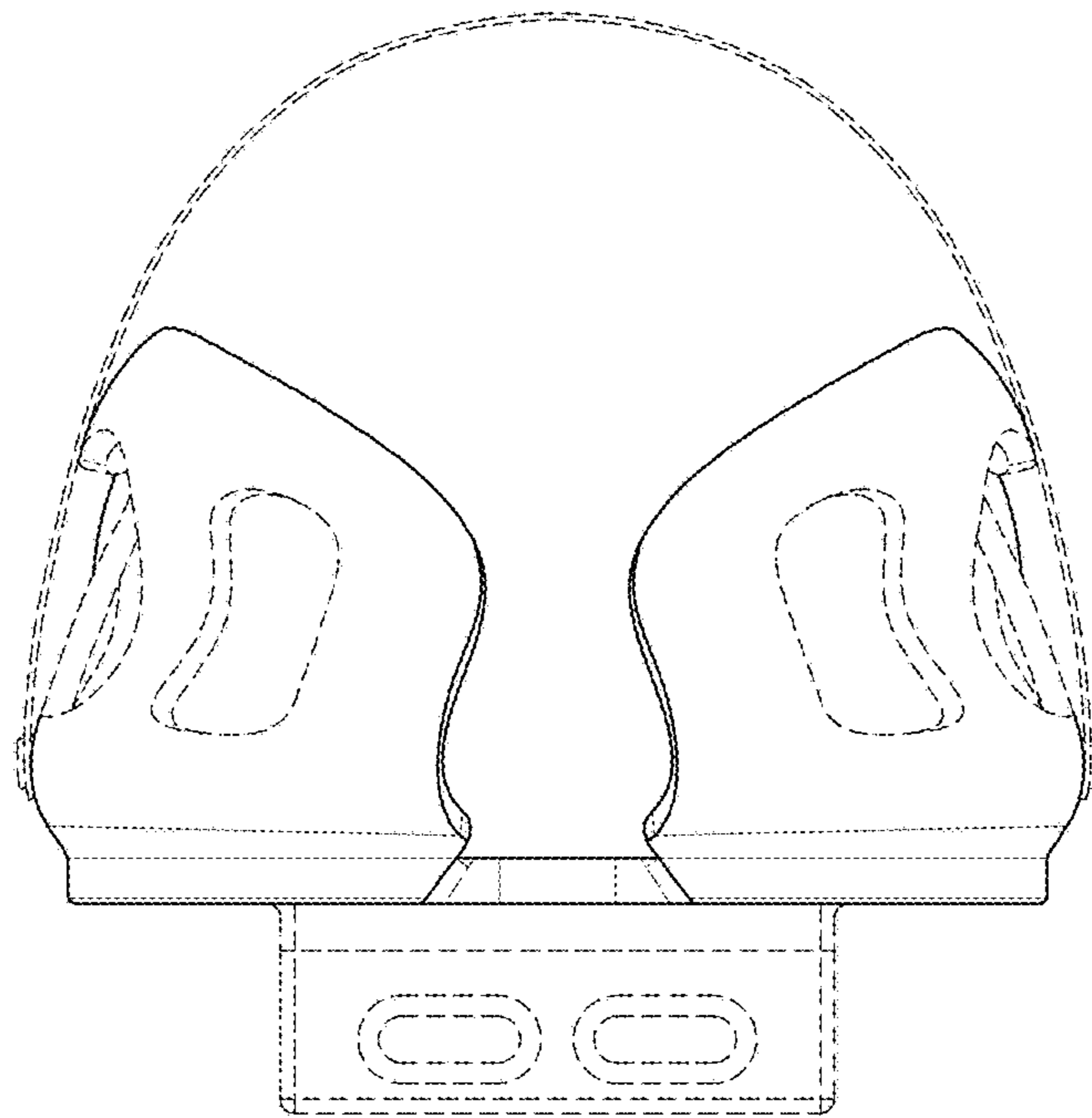


FIG. 2

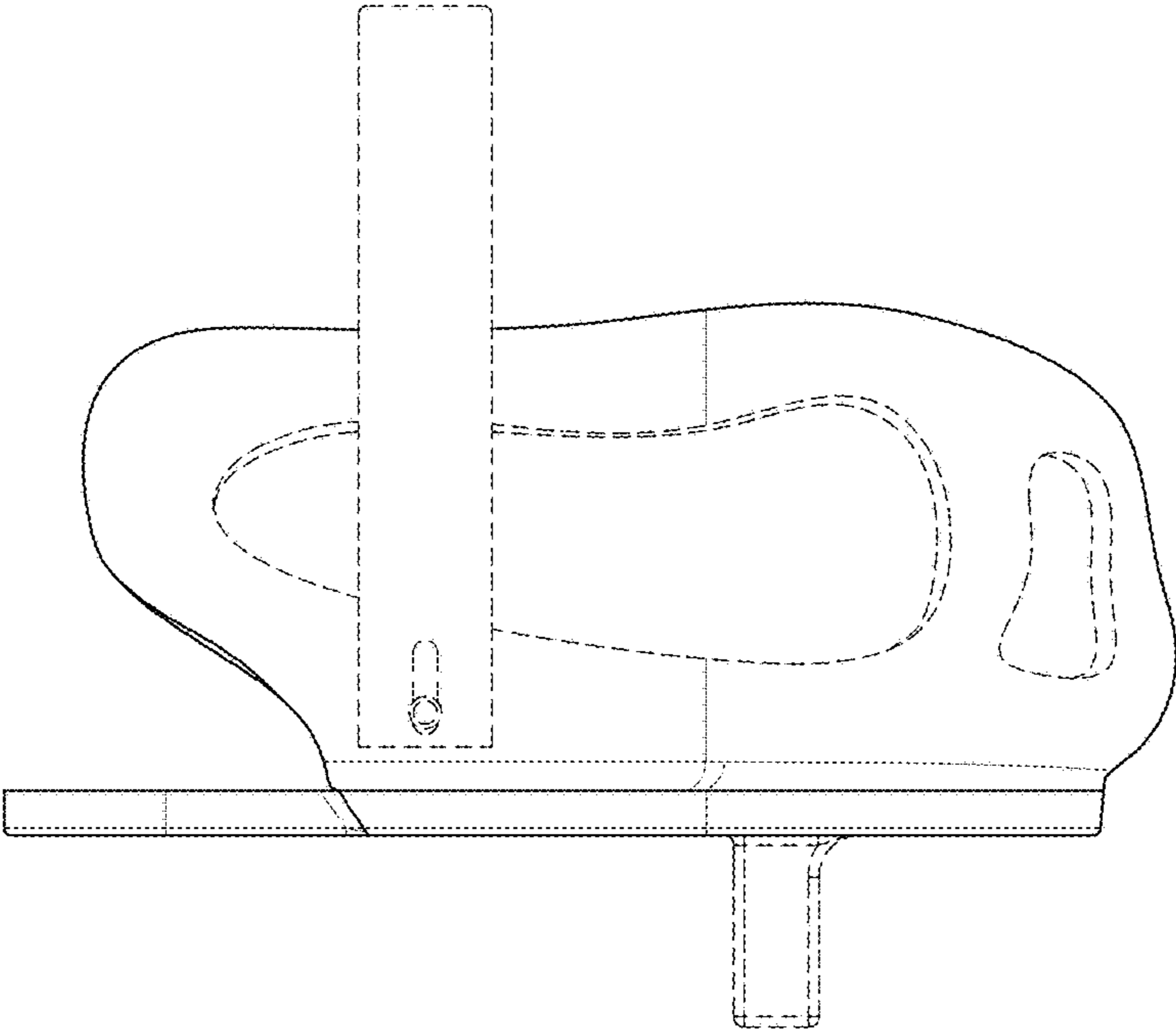


FIG. 3

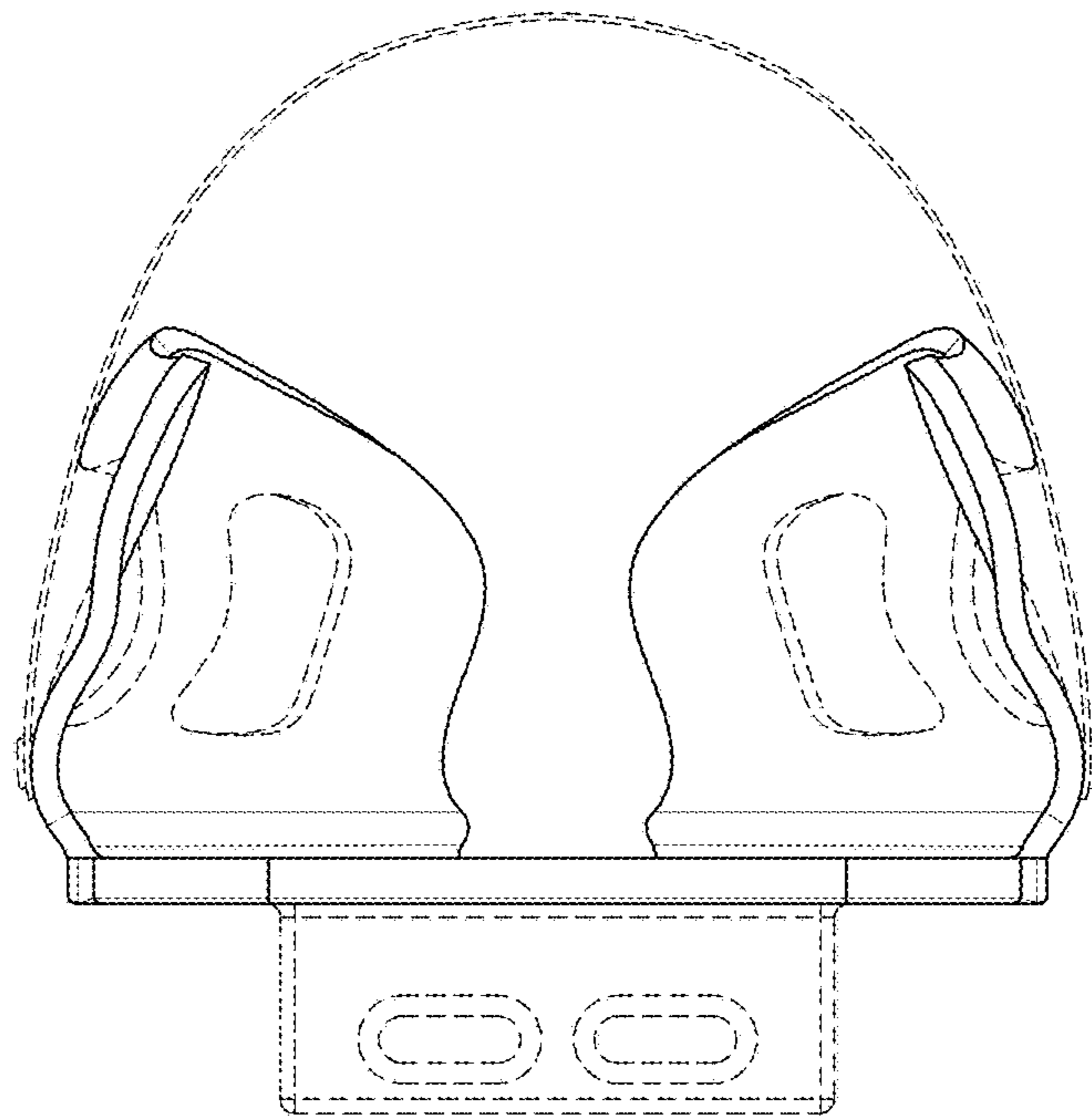


FIG. 4

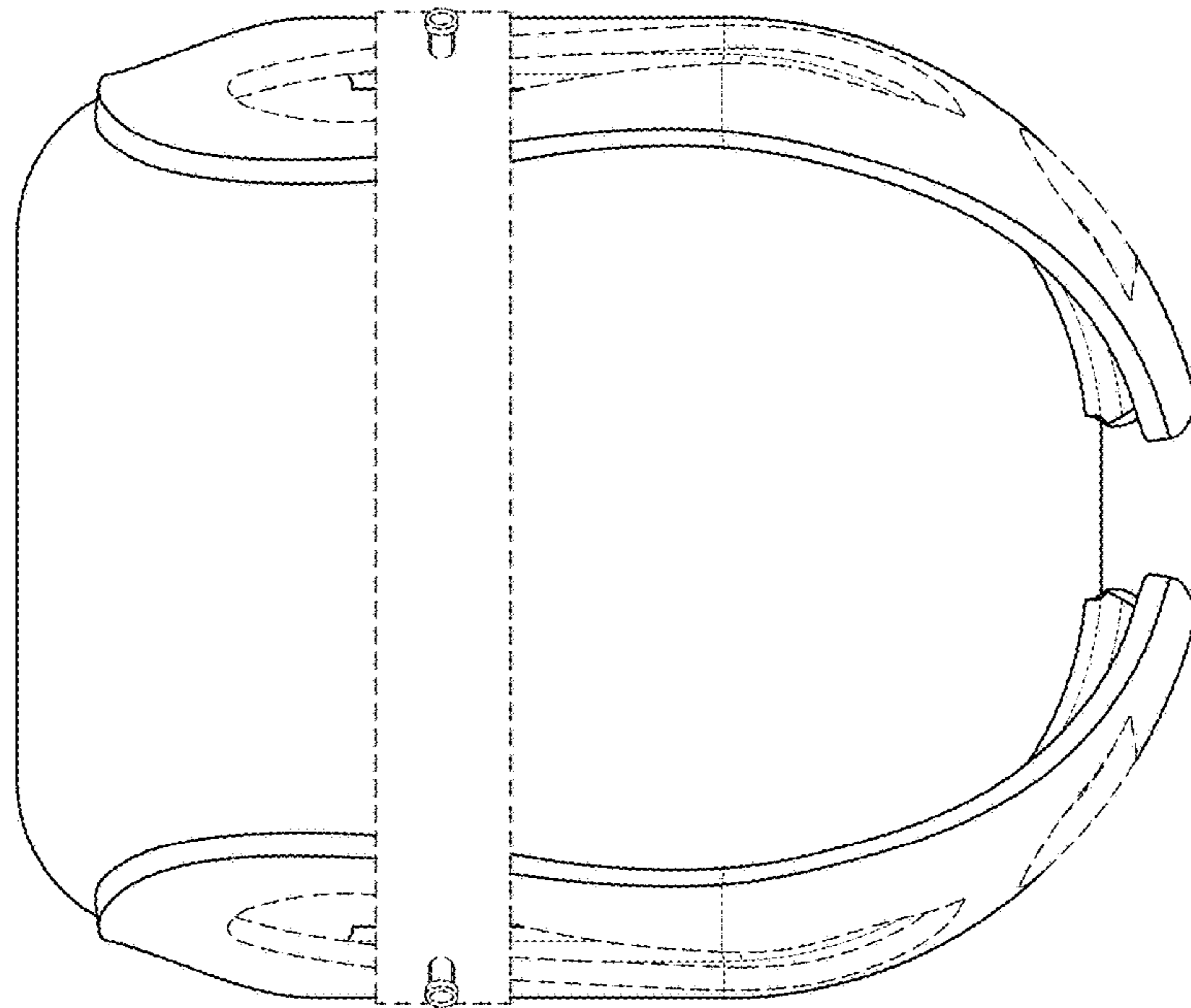


FIG. 5

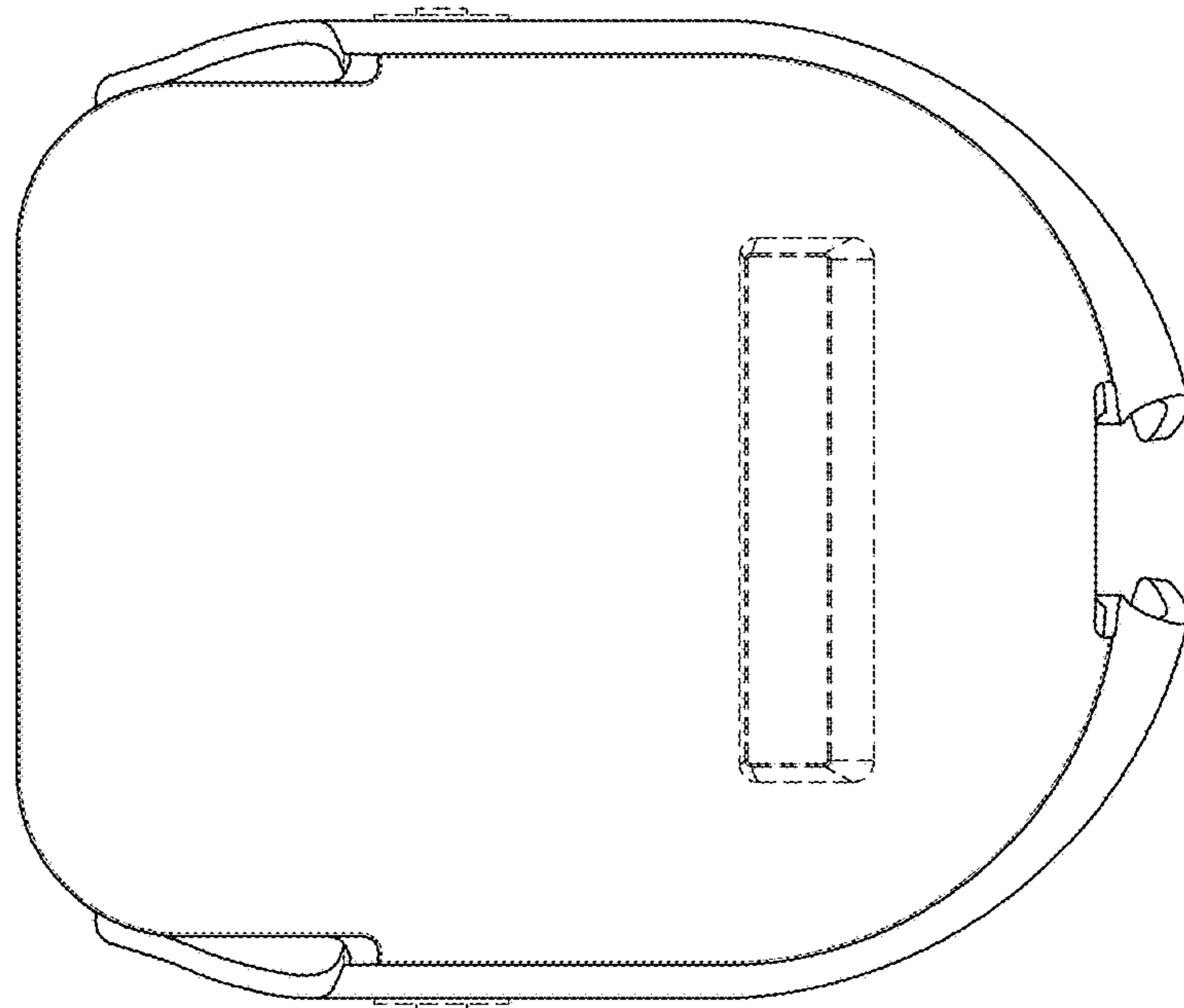


FIG. 6

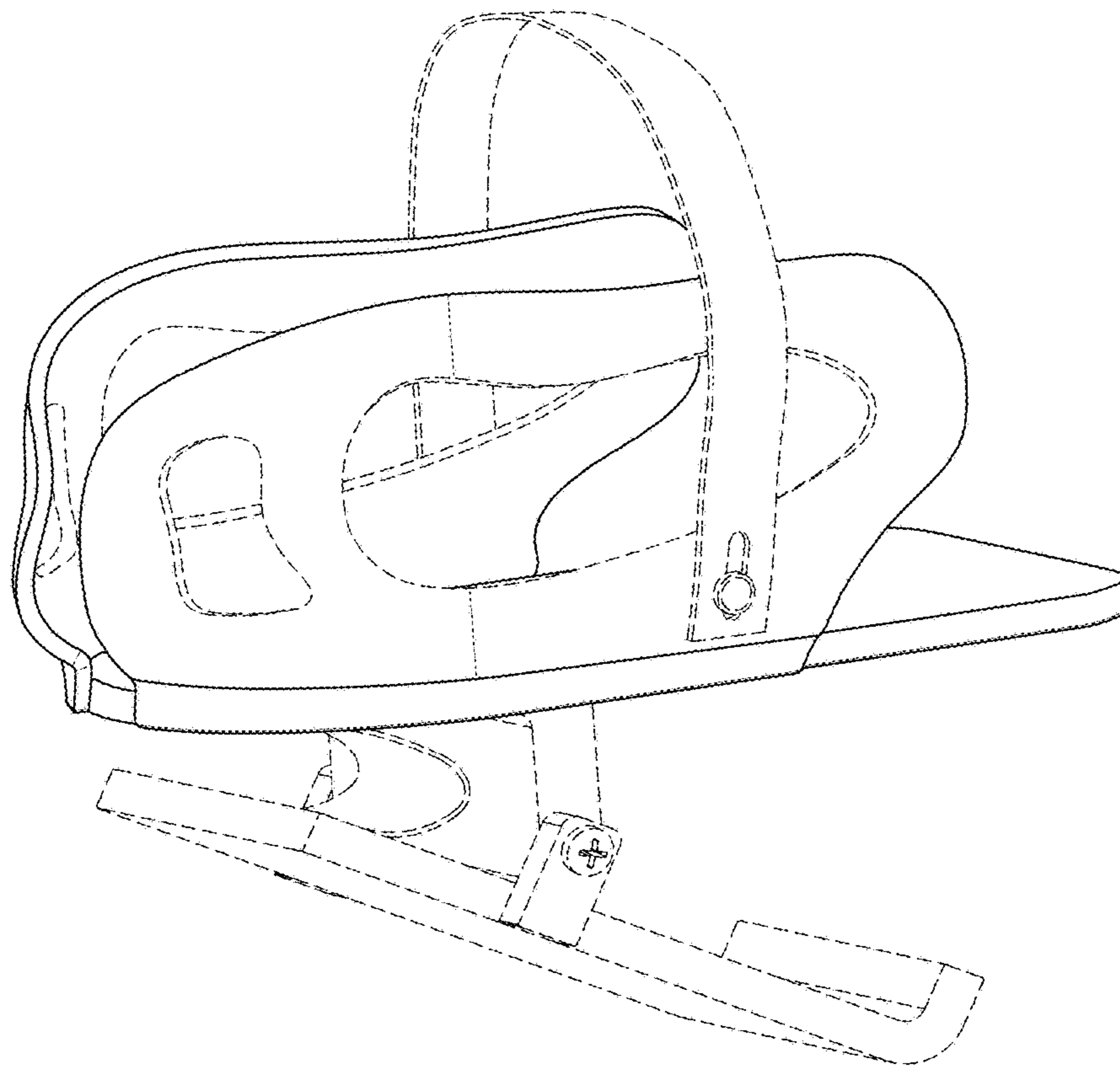


FIG. 7

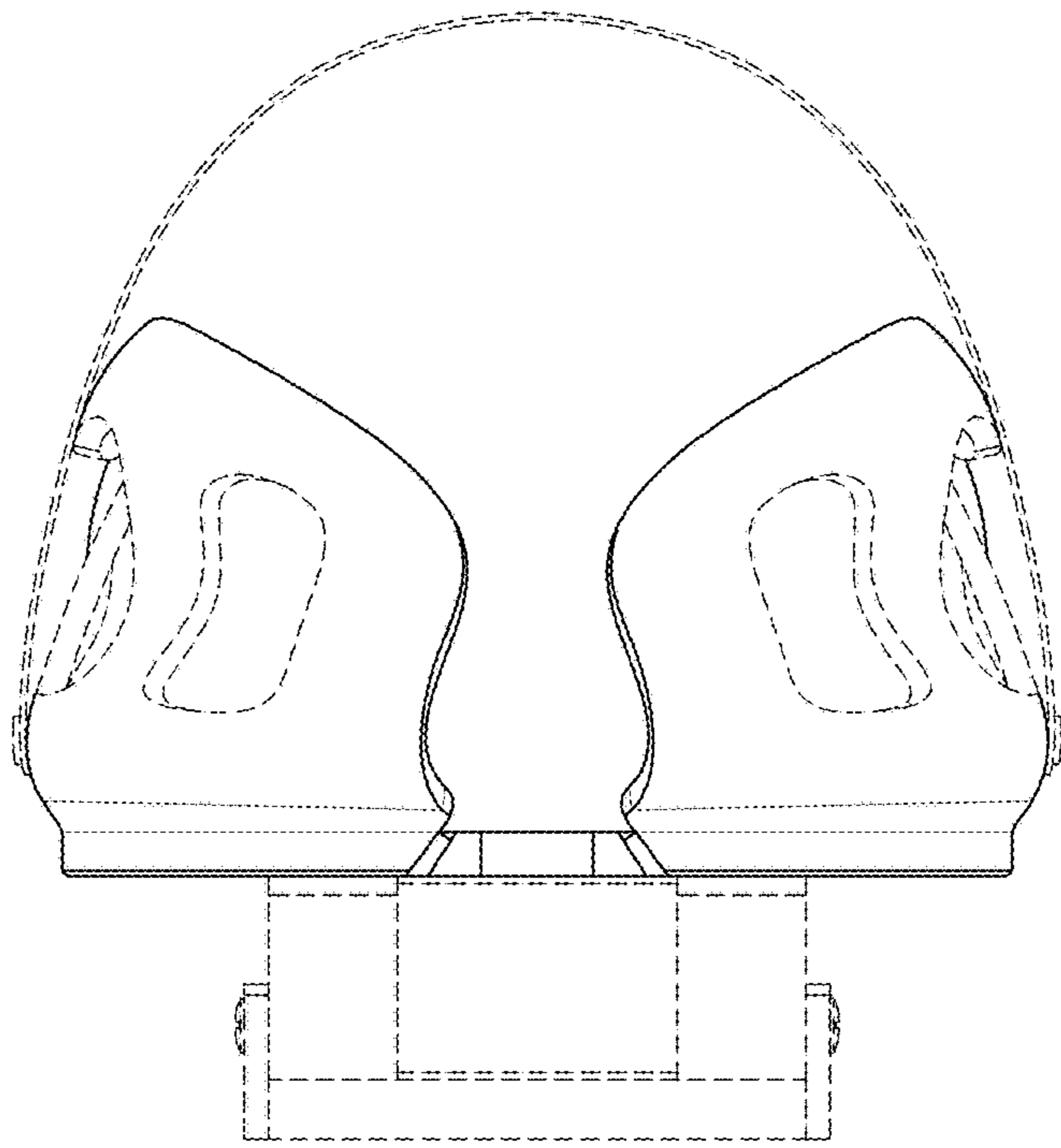


FIG. 8

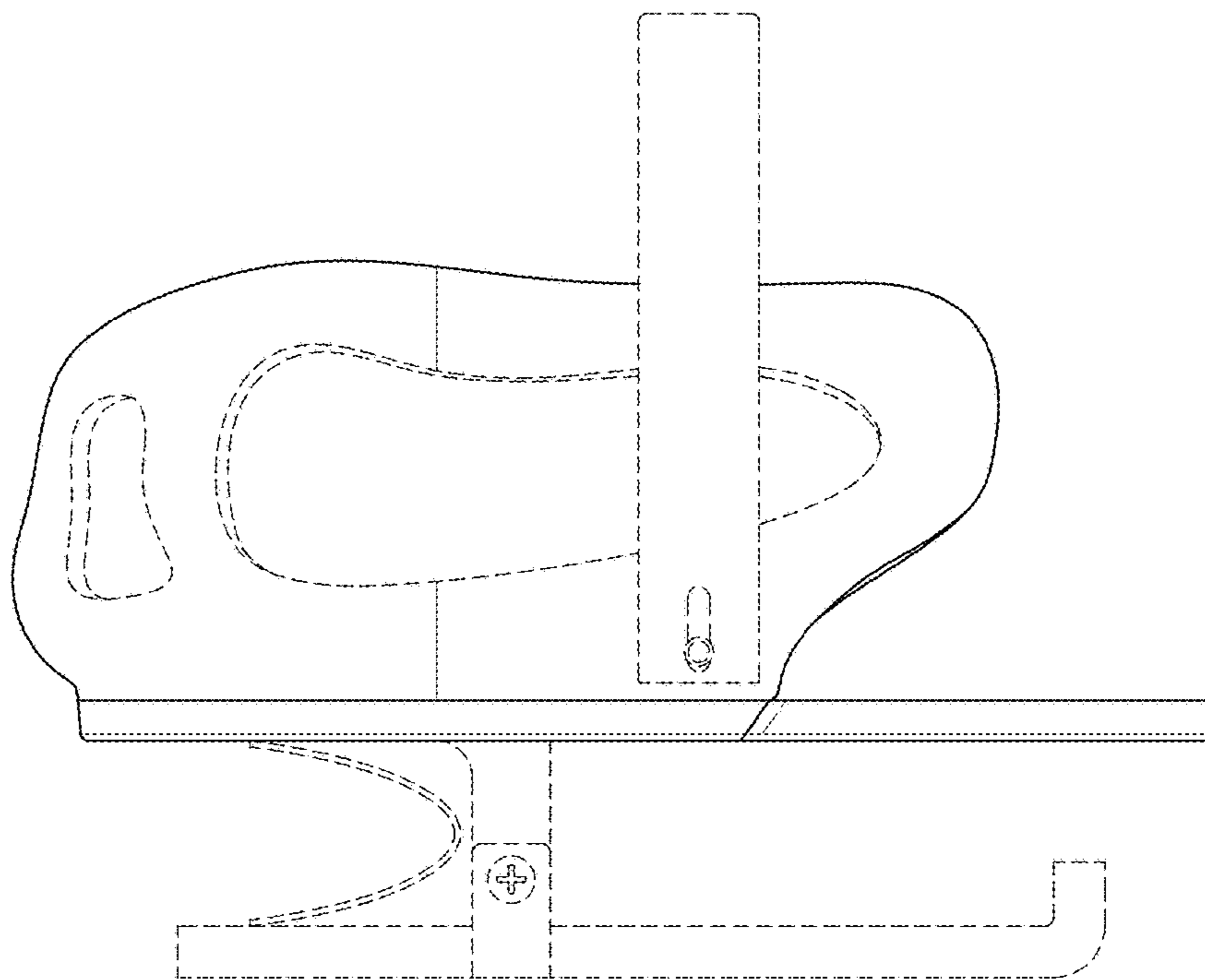


FIG. 9

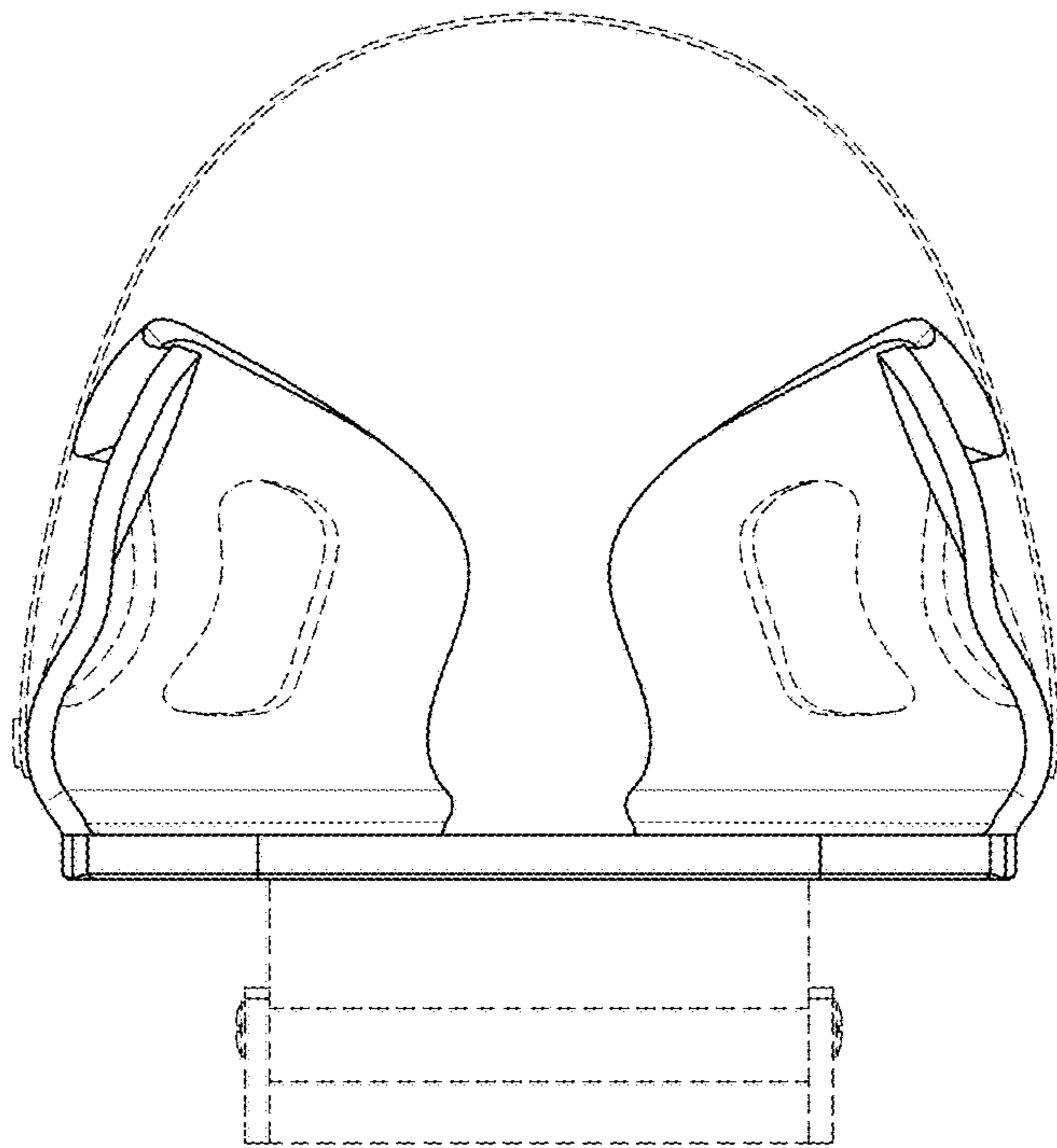


FIG. 10

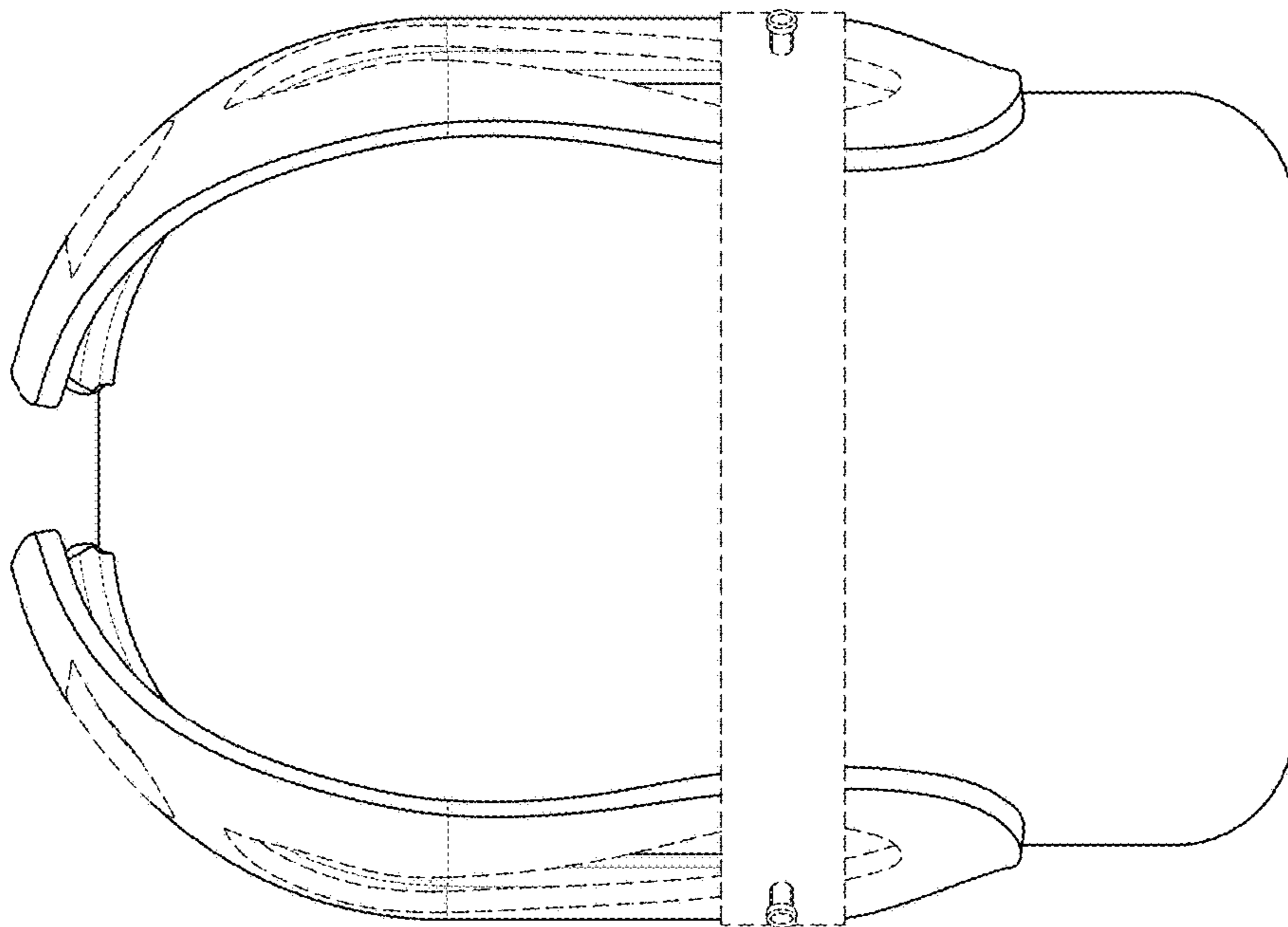


FIG. 11

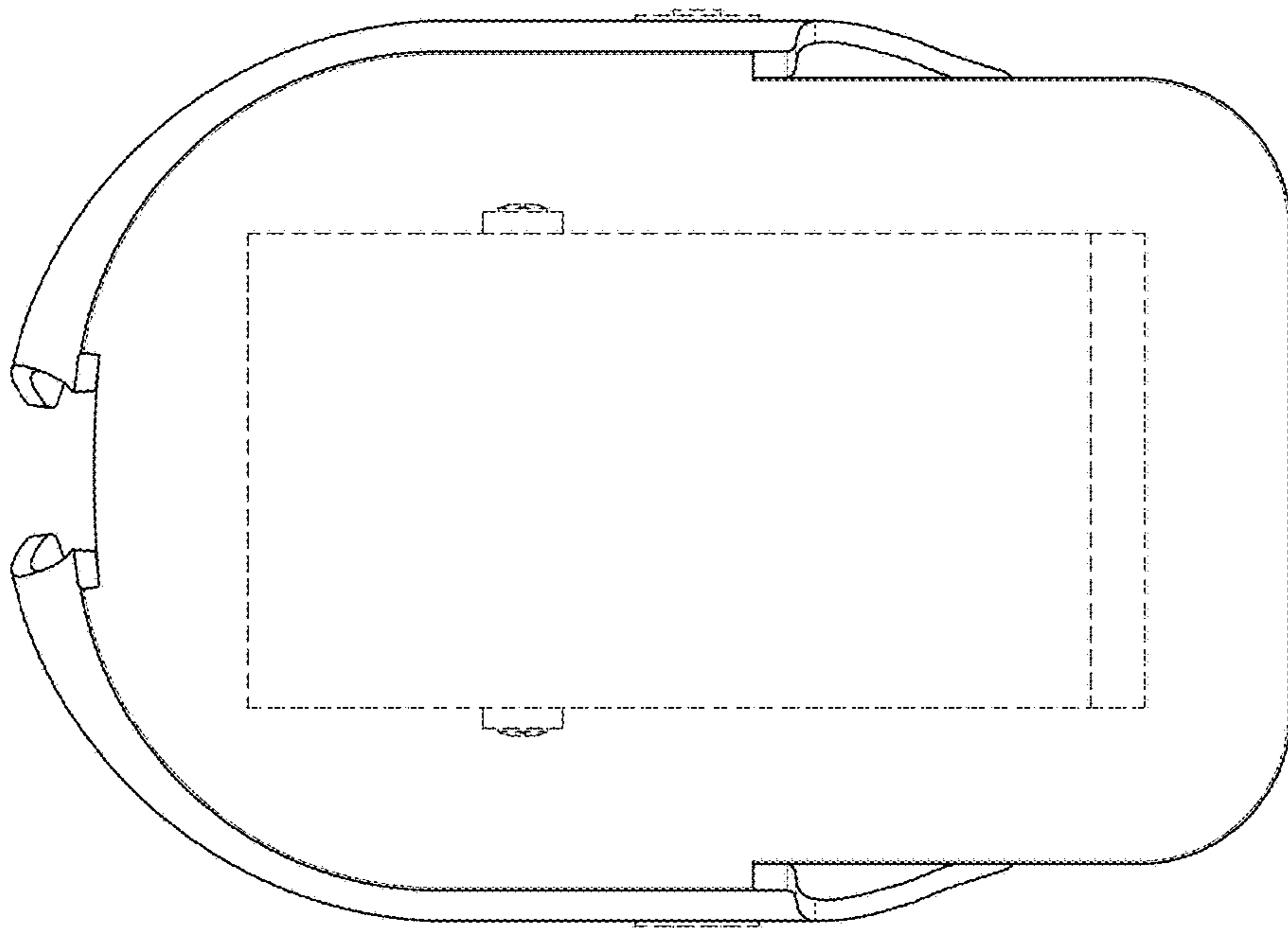


FIG. 12