



US00D868634S

(12) **United States Design Patent**  
**Beet**

(10) **Patent No.:** **US D868,634 S**

(45) **Date of Patent:** **\*\* Dec. 3, 2019**

(54) **AUTOMOTIVE TRAY**

D452,472 S \* 12/2001 Darbshire ..... D12/221  
D577,328 S \* 9/2008 Vrbas ..... D12/414.1  
D701,815 S \* 4/2014 Miller ..... D12/221  
D719,497 S \* 12/2014 Conroy ..... D12/221

(71) Applicant: **PATRIOT CAMPERS PTY. LTD.**,  
Molendinar (AU)

\* cited by examiner

(72) Inventor: **Jack Beet**, Molendinar (AU)

*Primary Examiner* — Abraham Bahta

(73) Assignee: **Patriot Campers Pty Ltd.**, Molendinar,  
Queensland (AU)

(74) *Attorney, Agent, or Firm* — Tucker Ellis LLP; Carlos  
P. Garritano

(\*\*) Term: **15 Years**

(57) **CLAIM**

(21) Appl. No.: **29/650,475**

The ornamental design for an automotive tray, as shown and  
described.

(22) Filed: **Jun. 7, 2018**

(51) **LOC (12) Cl.** ..... **12-10**

(52) **U.S. Cl.**  
USPC ..... **D12/105**

**DESCRIPTION**

(58) **Field of Classification Search**  
USPC .... D12/126, 105, 406, 414, 414.1, 423-425,  
D12/221, 98; 296/181.1, 181.2, 181.3,  
296/184.1, 39.1, 39.2, 39.3, 3, 7, 26.4,  
296/26.09, 26.05; 206/372-373, 349;  
280/727, 756, 901; 224/400-405,  
224/500-501, 281, 553, 539, 42.33,  
224/42.34, 542  
CPC .. B60R 99/00; B60R 5/00; B60R 7/04; B60N  
2/30  
See application file for complete search history.

FIG. 1 is a top rear perspective view of an embodiment of  
an automotive tray showing a new design;  
FIG. 2 is a rear view of the automotive tray illustrated in  
FIG. 1;  
FIG. 3 is a front view of the automotive tray illustrated in  
FIG. 1;  
FIG. 4 is a right side view of the automotive tray illustrated  
in FIG. 1;  
FIG. 5 is a left side view of the automotive tray illustrated  
in FIG. 1;  
FIG. 6 is a top view of the automotive tray illustrated in FIG.  
1; and,  
FIG. 7 is a bottom view of the automotive tray illustrated in  
FIG. 1.

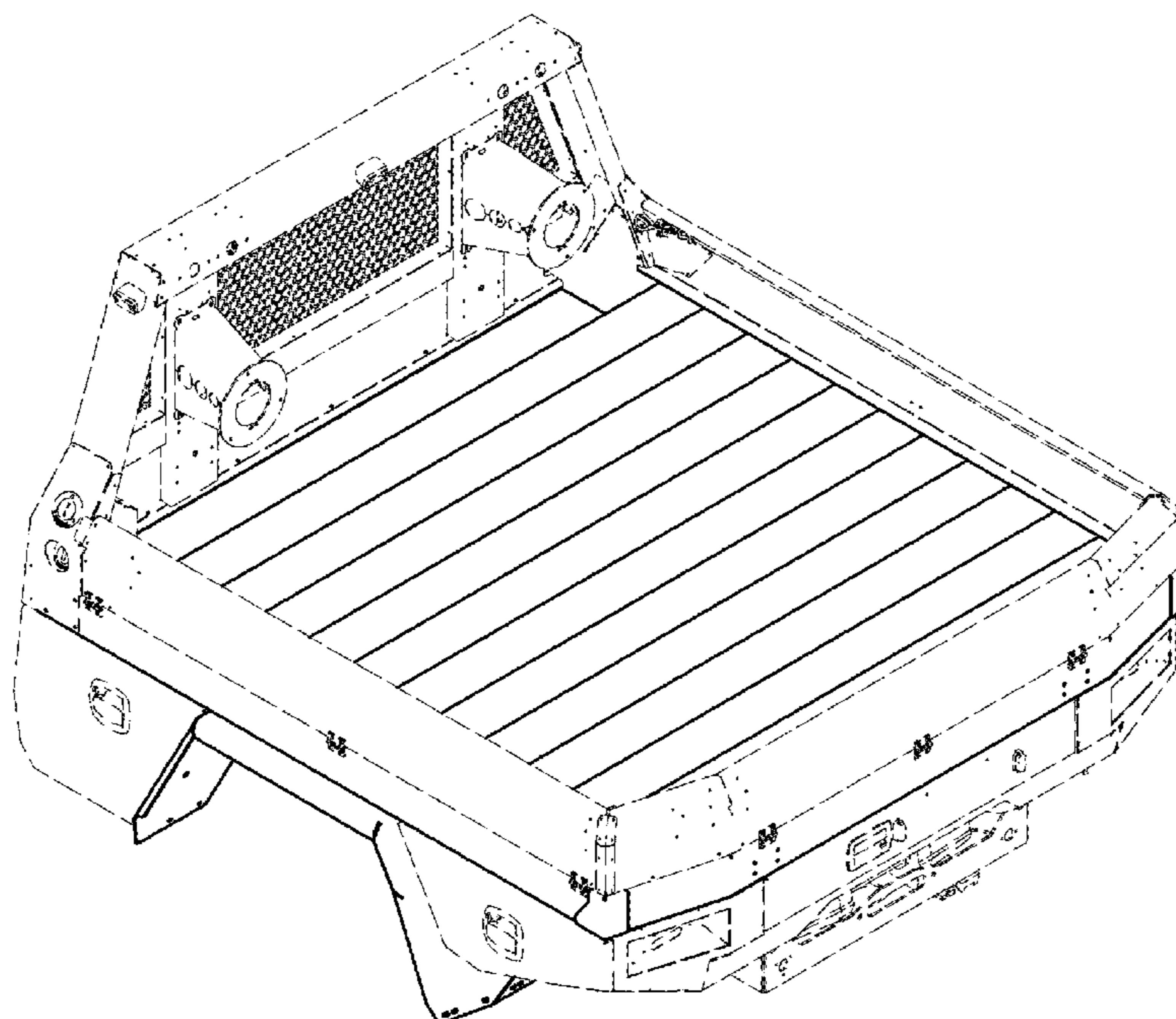
The broken lines show portions of the design that form no  
part of the claimed design.

(56) **References Cited**

**U.S. PATENT DOCUMENTS**

D382,232 S \* 8/1997 Hines ..... D12/98  
D419,951 S \* 2/2000 Emery ..... D12/221

**1 Claim, 7 Drawing Sheets**



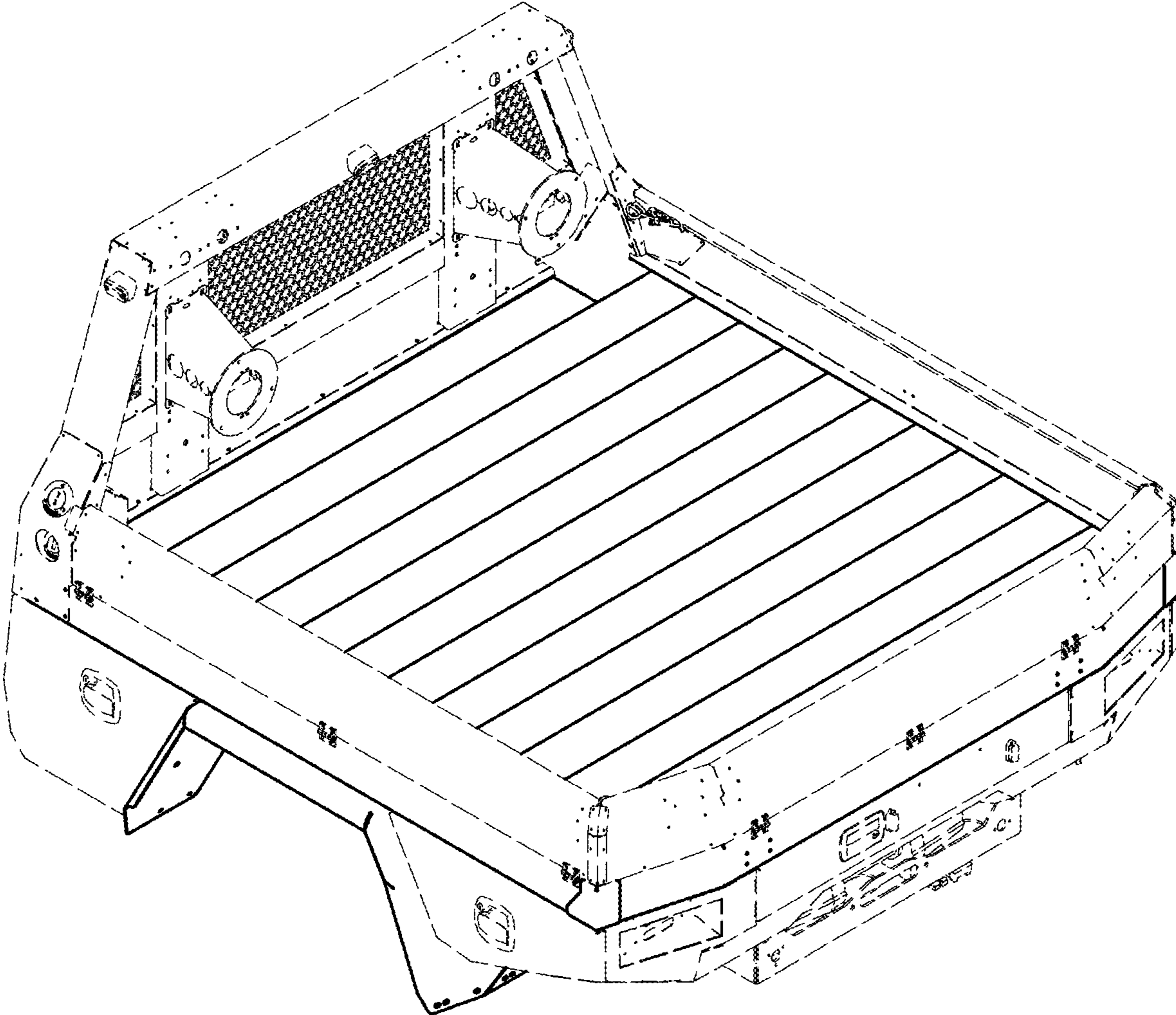


FIG. 1

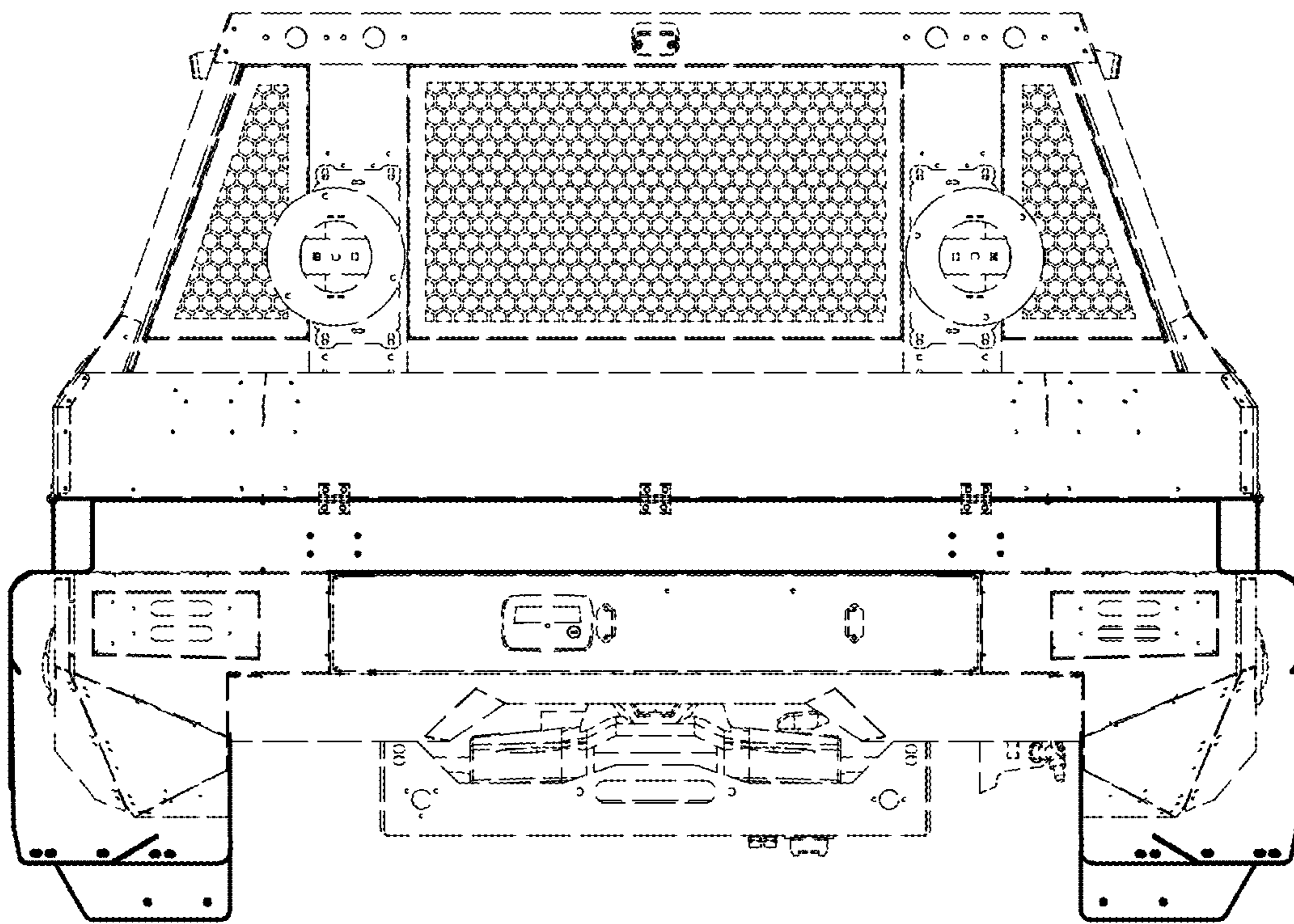


FIG. 2

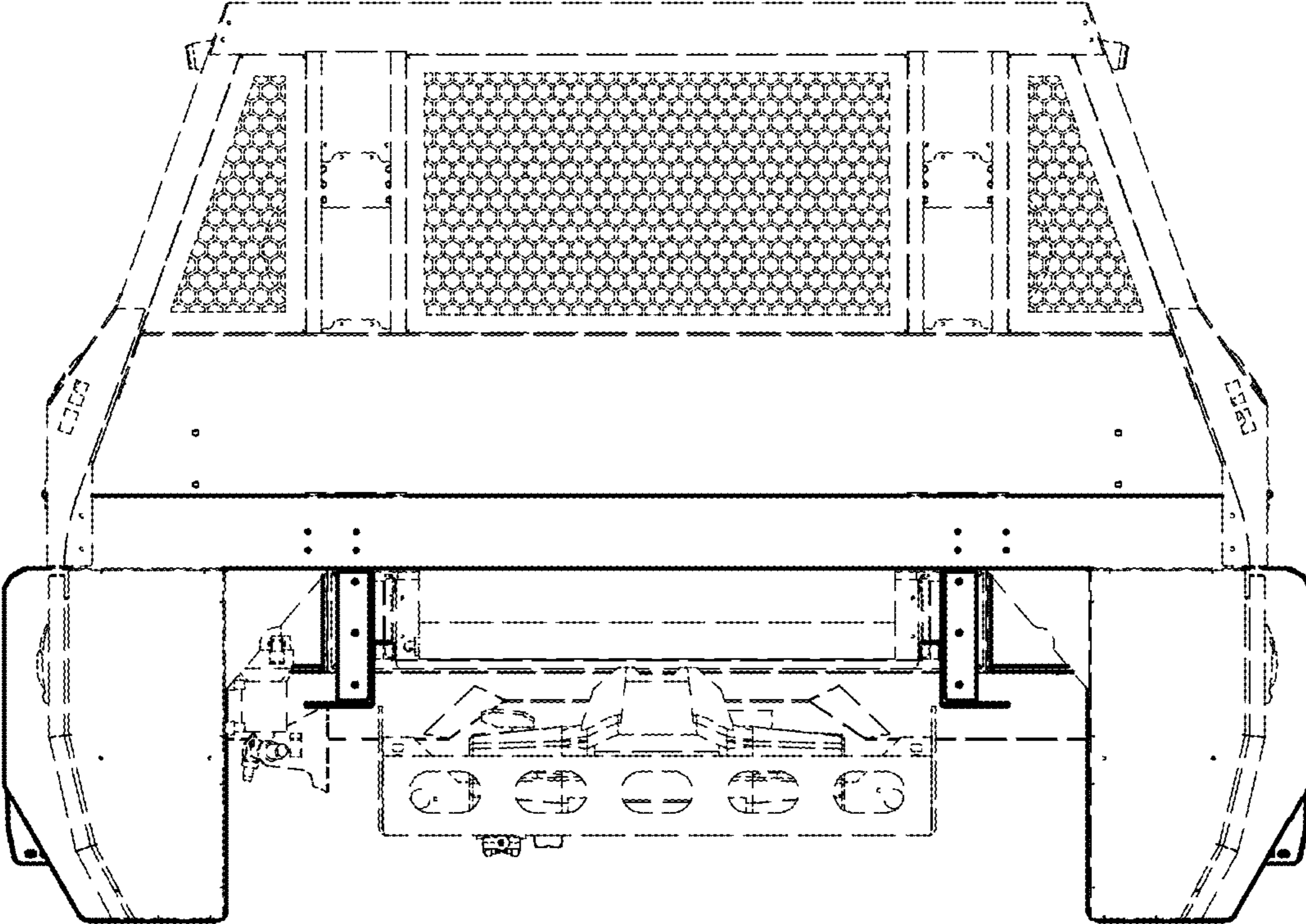


FIG. 3

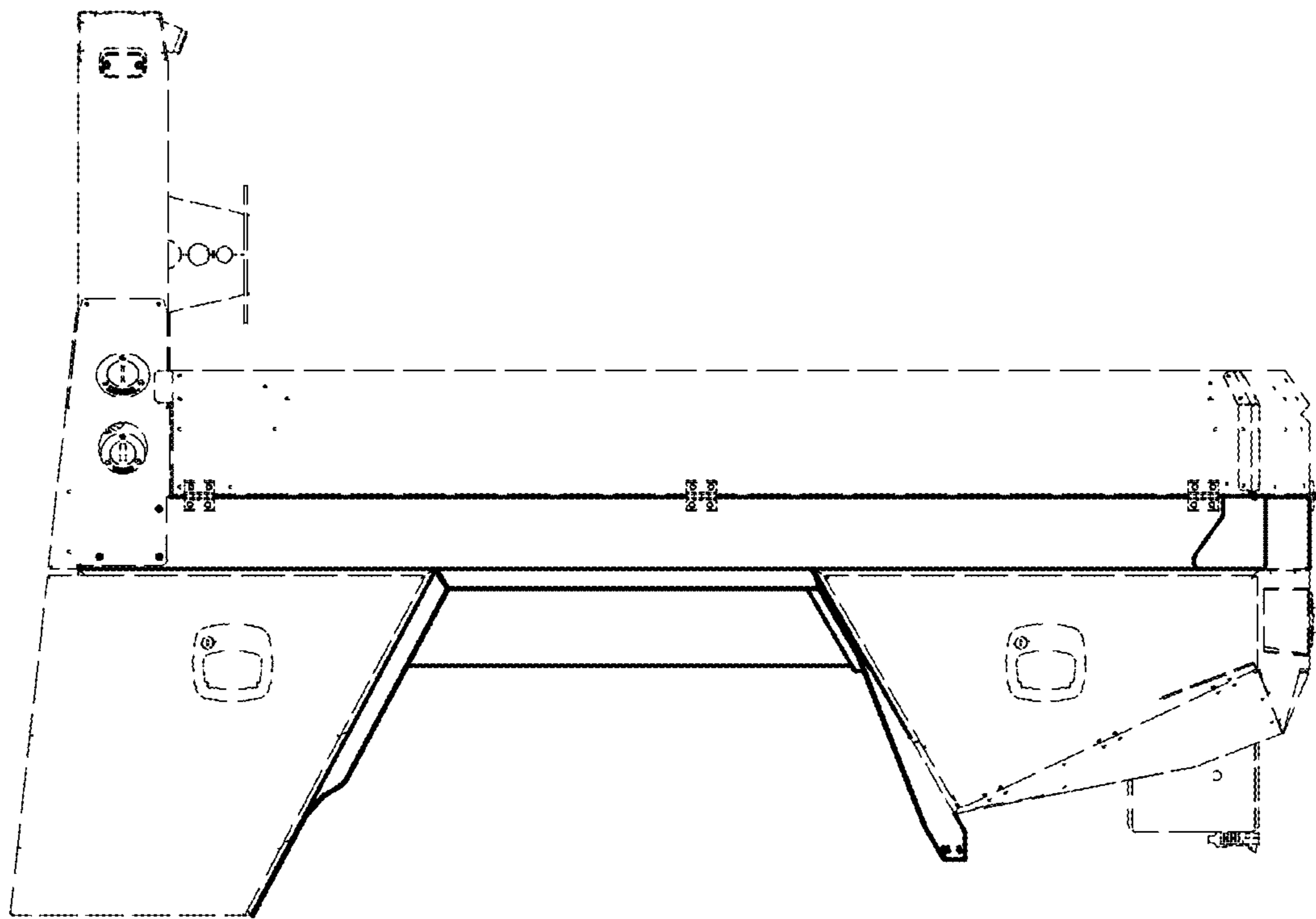


FIG. 4

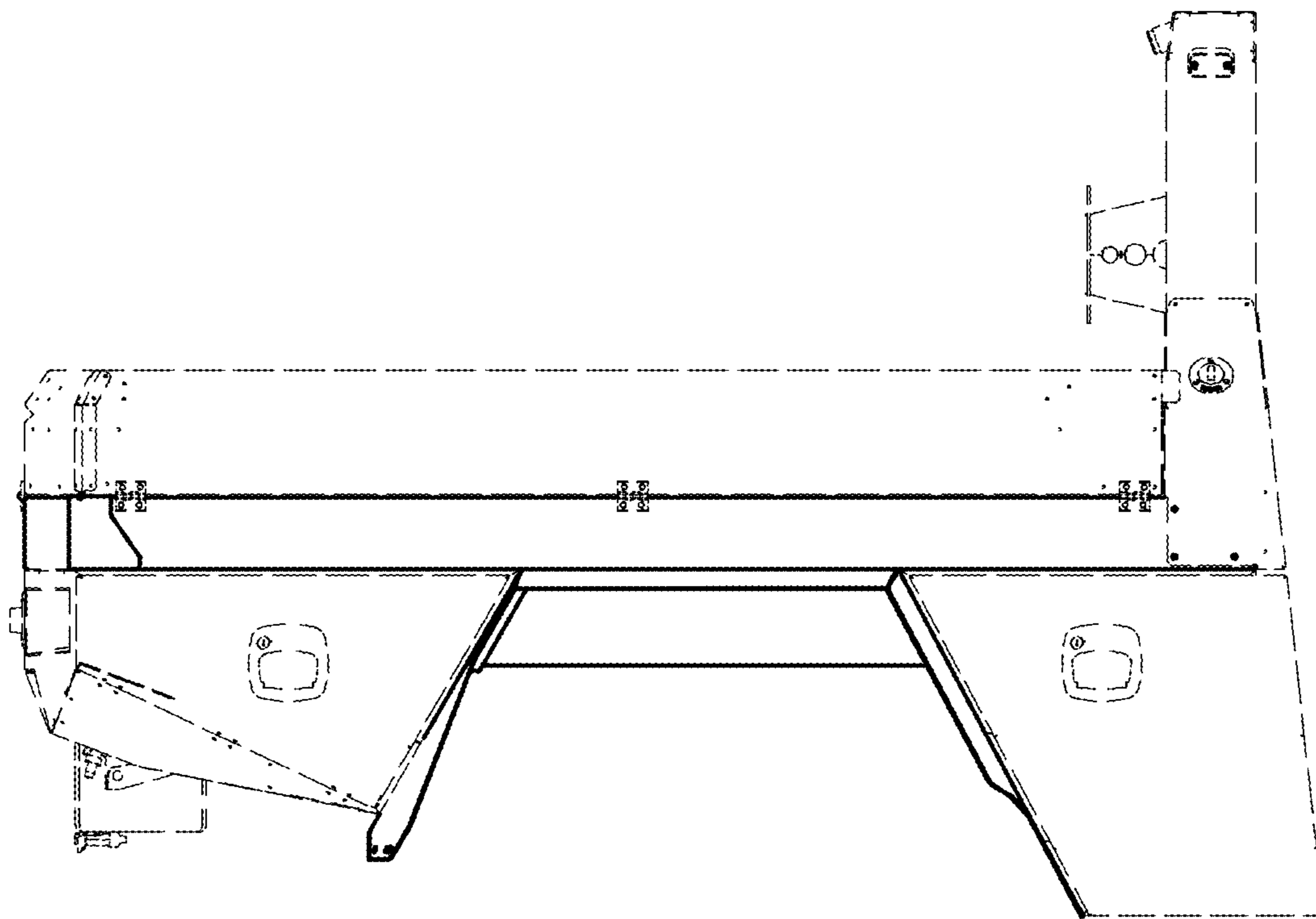


FIG. 5

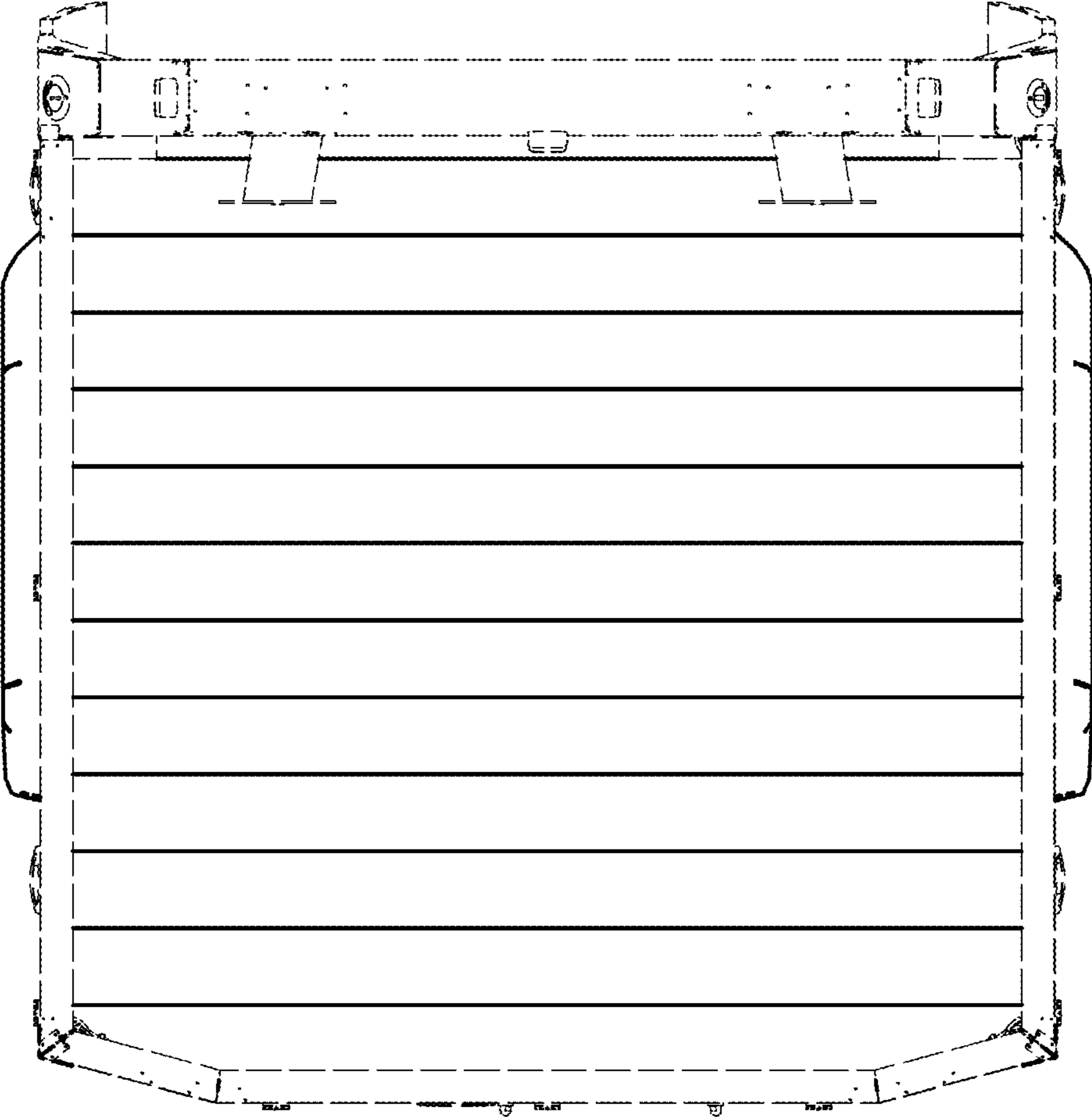


FIG. 6

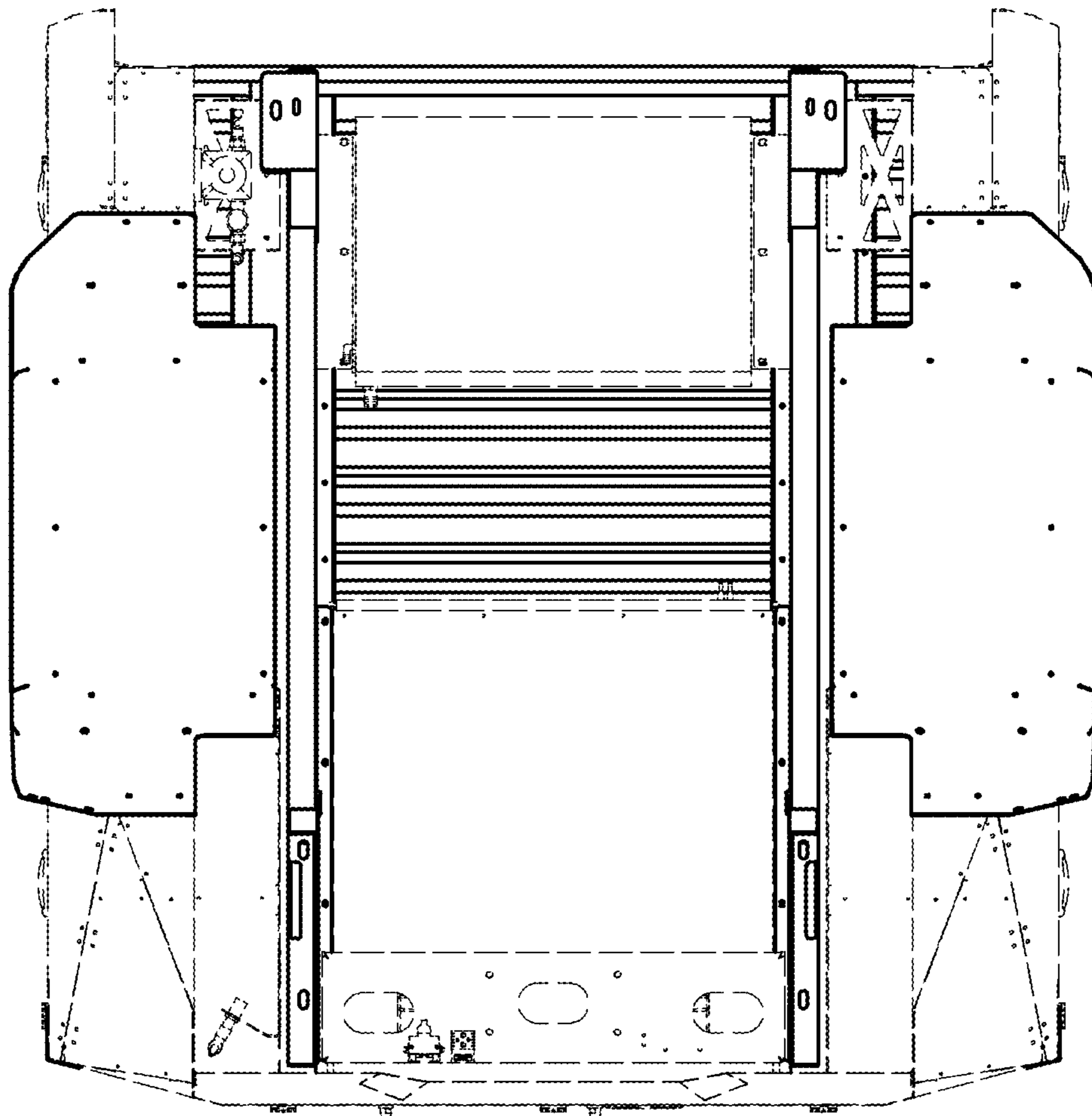


FIG. 7