



US00D868633S

(12) **United States Design Patent** (10) **Patent No.:** **US D868,633 S**
Krenelka et al. (45) **Date of Patent:** **** Dec. 3, 2019**

(54) **CAMPING TRAILER**
(71) Applicants: **Todd Krenelka**, Hilliard, OH (US);
Michael Larkins, Columbus, OH (US)
(72) Inventors: **Todd Krenelka**, Hilliard, OH (US);
Michael Larkins, Columbus, OH (US)

D737,726 S * 9/2015 Austin D12/104
D801,229 S * 10/2017 Brock B62D 63/06
D12/102
D826,787 S * 8/2018 Goral D12/103
2008/0211259 A1 * 9/2008 Nadeau B60P 3/34
296/173
2016/0288690 A1 * 10/2016 Wills B60P 3/34

(**) Term: **15 Years**

(21) Appl. No.: **29/608,463**

(22) Filed: **Jun. 22, 2017**

(51) **LOC (12) Cl.** **12-10**

(52) **U.S. Cl.**
USPC **D12/102**

(58) **Field of Classification Search**
USPC D12/1, 101, 102, 103, 104, 105, 106,
D12/111, 112, 86, 88, 90, 91, 92, 93, 95,
D12/96, 99
CPC B60P 3/00; B60P 3/07; B60P 3/122; B60P
3/32; B60P 3/34; B62D 63/06; B62K
27/003; B63C 9/06

See application file for complete search history.

(56) **References Cited**

U.S. PATENT DOCUMENTS

D144,748 S * 5/1946 Weissberg 296/168
D148,300 S * 1/1948 Hoffman 293/23
D181,915 S * 1/1958 Spencer D12/104
D288,419 S * 2/1987 Read D12/102
D298,810 S * 12/1988 Vilval D12/102
D329,215 S * 9/1992 Alexander D12/102
7,488,030 B2 2/2009 Nadeau
D594,385 S * 6/2009 Cadotte D12/102
D610,489 S * 2/2010 Rodabaugh D12/102
D662,444 S * 6/2012 Smoak D12/102
D689,402 S * 9/2013 Lee D12/103
D692,353 S * 10/2013 Kiez D12/103

OTHER PUBLICATIONS

The A-Liner Lil Demon Teardrop Trailer, <http://www.starling-travel.com/2015/02/26/the-a-liner-lil-demon-teardrop-trailer/>, 2006.

* cited by examiner

Primary Examiner — Susan E Krakower
Assistant Examiner — Jerry Shiuan-Hua Hsu
(74) *Attorney, Agent, or Firm* — Standley Law Group
LLP

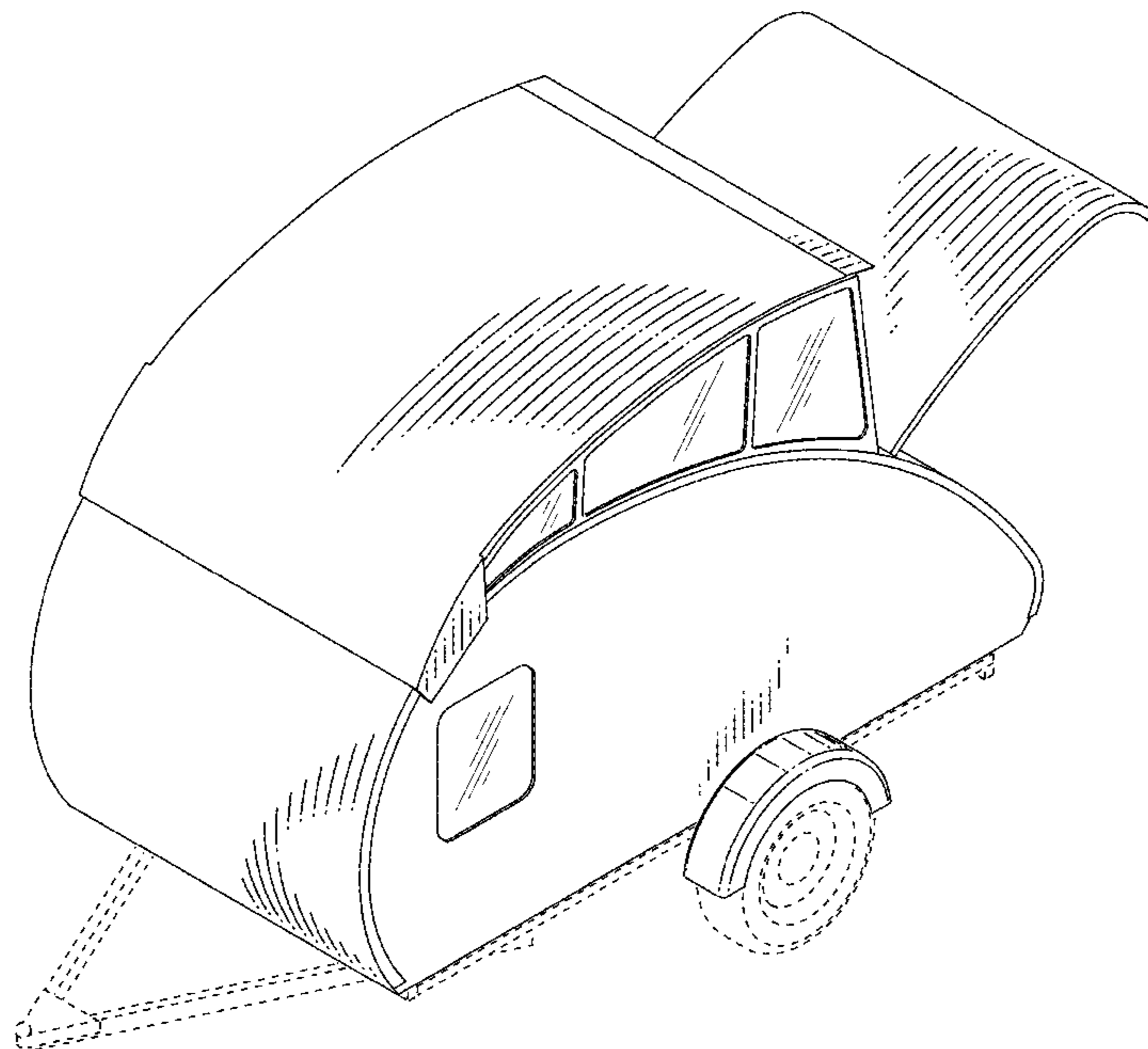
(57) **CLAIM**

The ornamental design for a camping trailer, as shown and described.

DESCRIPTION

FIG. 1 is a front perspective view of a camping trailer, showing our new design;
FIG. 2 is a back perspective view thereof;
FIG. 3 is a front elevational view thereof;
FIG. 4 is back elevational view thereof;
FIG. 5 is a right side elevational view thereof;
FIG. 6 is a left side elevational view thereof;
FIG. 7 is a top plan view thereof;
FIG. 8 is a back perspective view in an alternate configuration thereof; and,
FIG. 9 is a left side elevational view thereof.
The broken lines illustrate portions of the camping trailer that form no part of the claimed design.

1 Claim, 8 Drawing Sheets



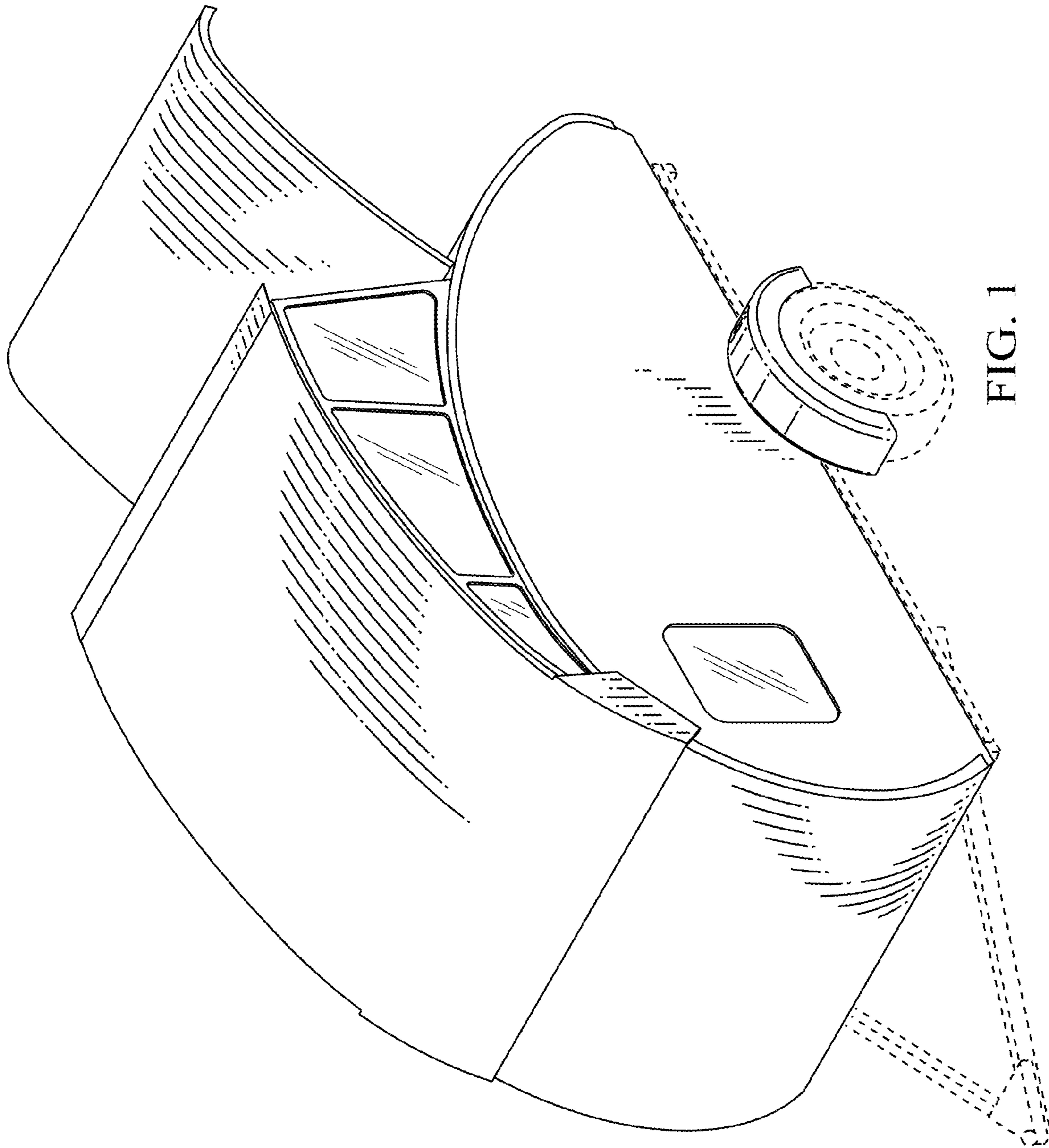
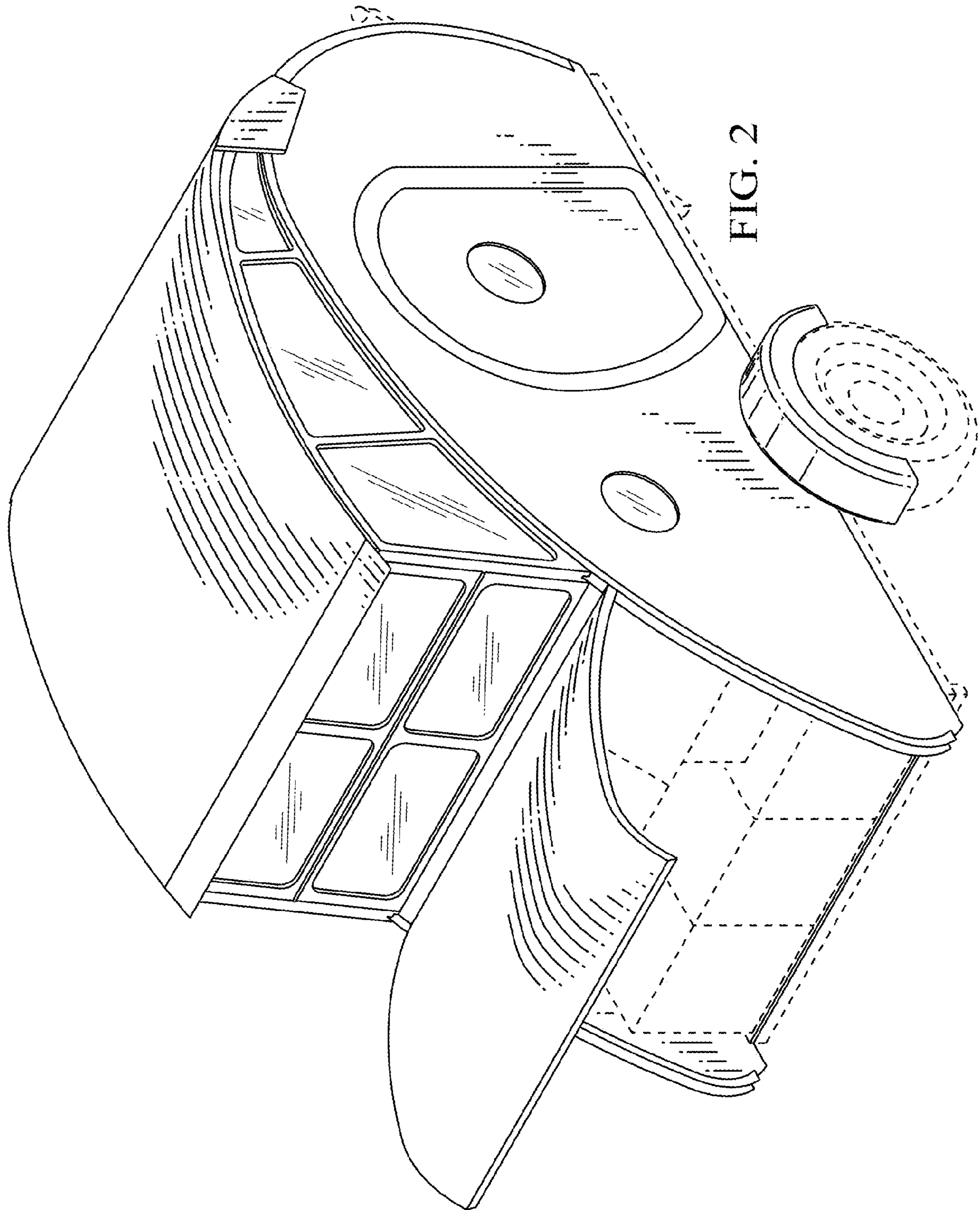


FIG. 1



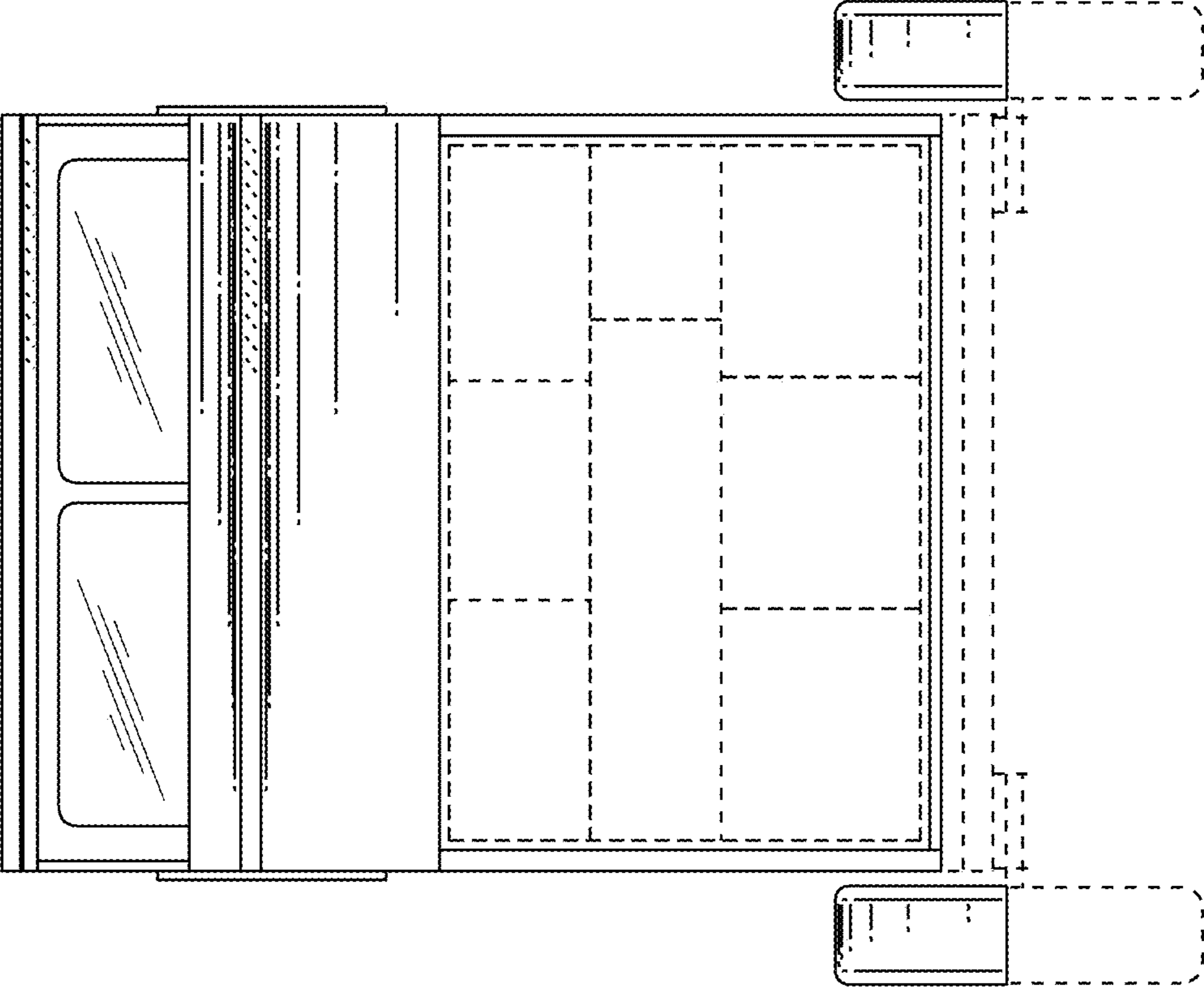


FIG. 4

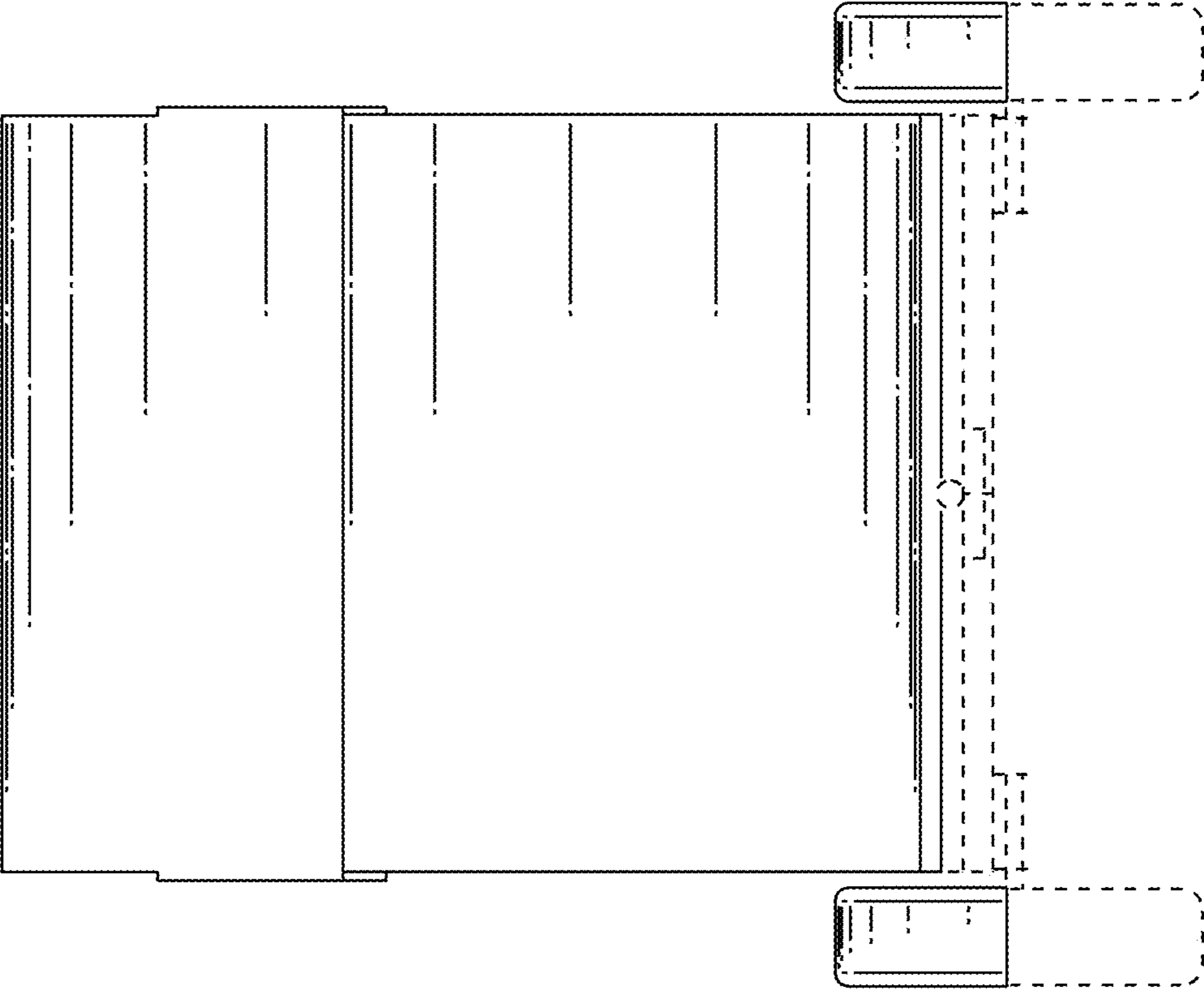


FIG. 3

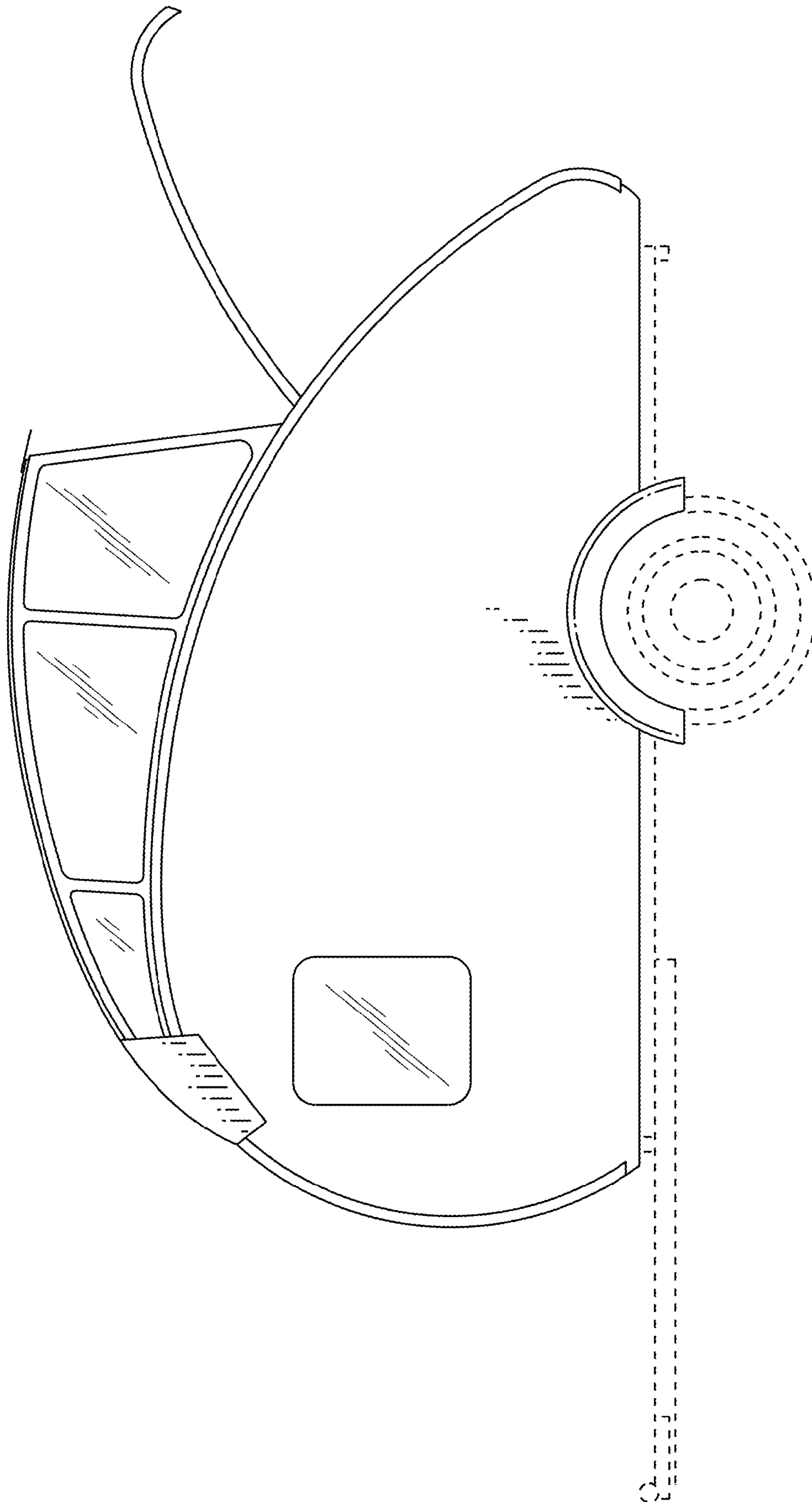


FIG. 5

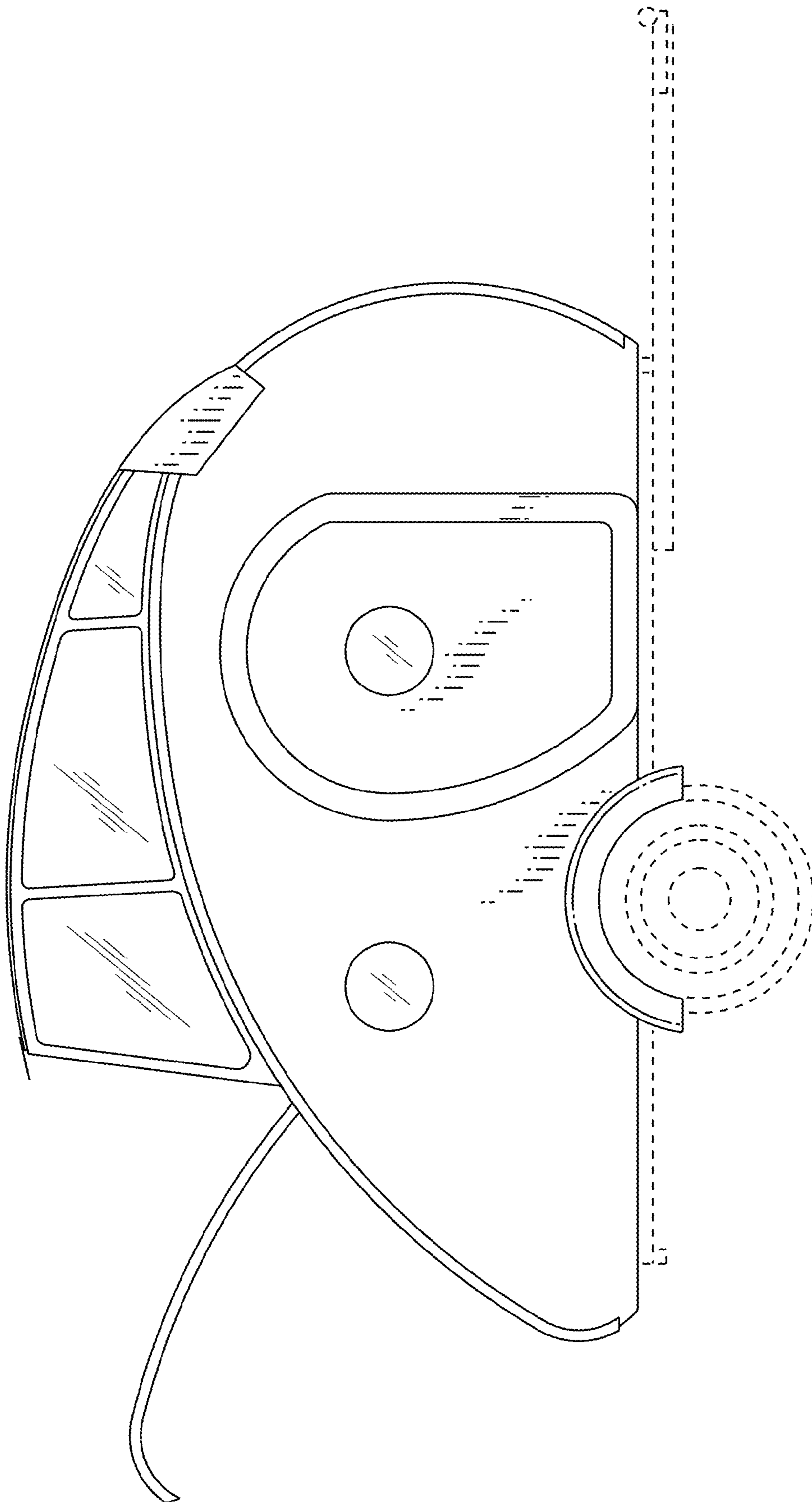


FIG. 6

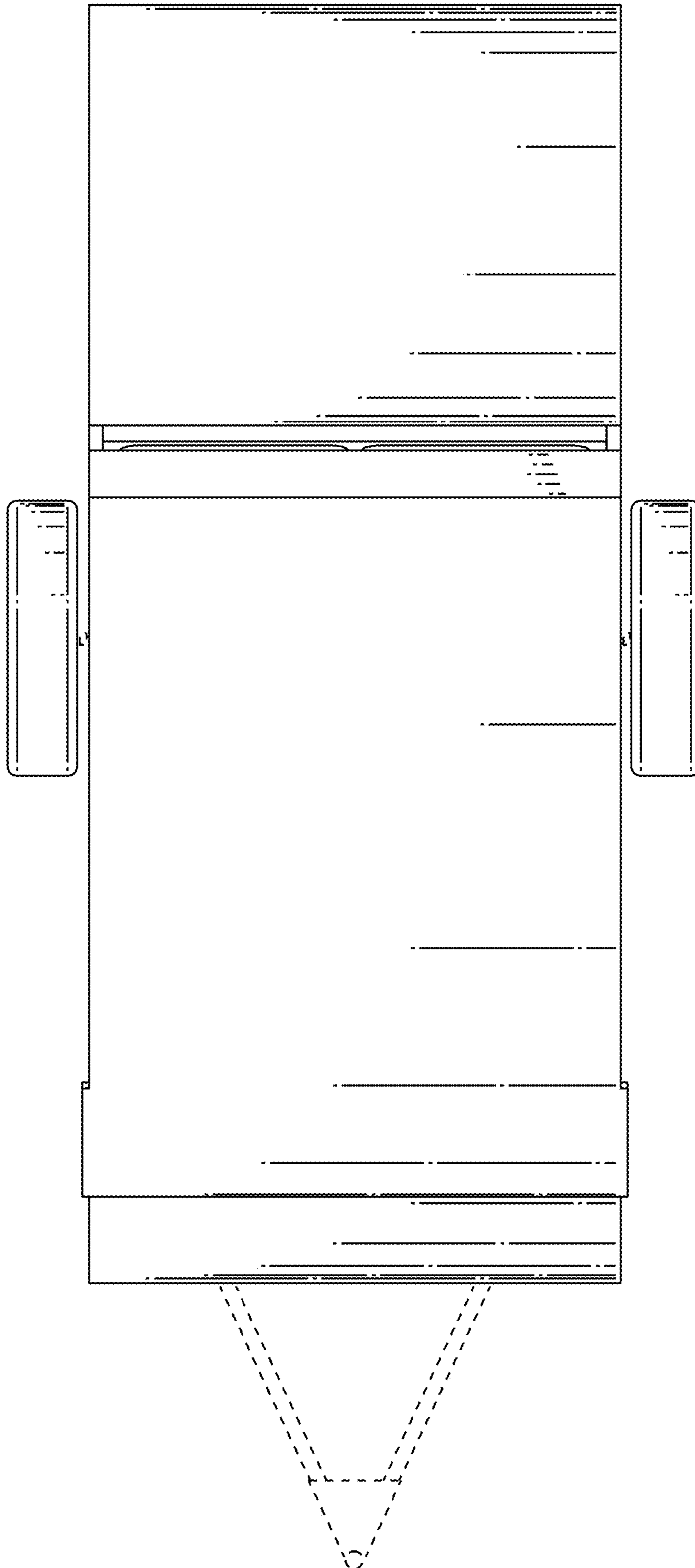


FIG. 7

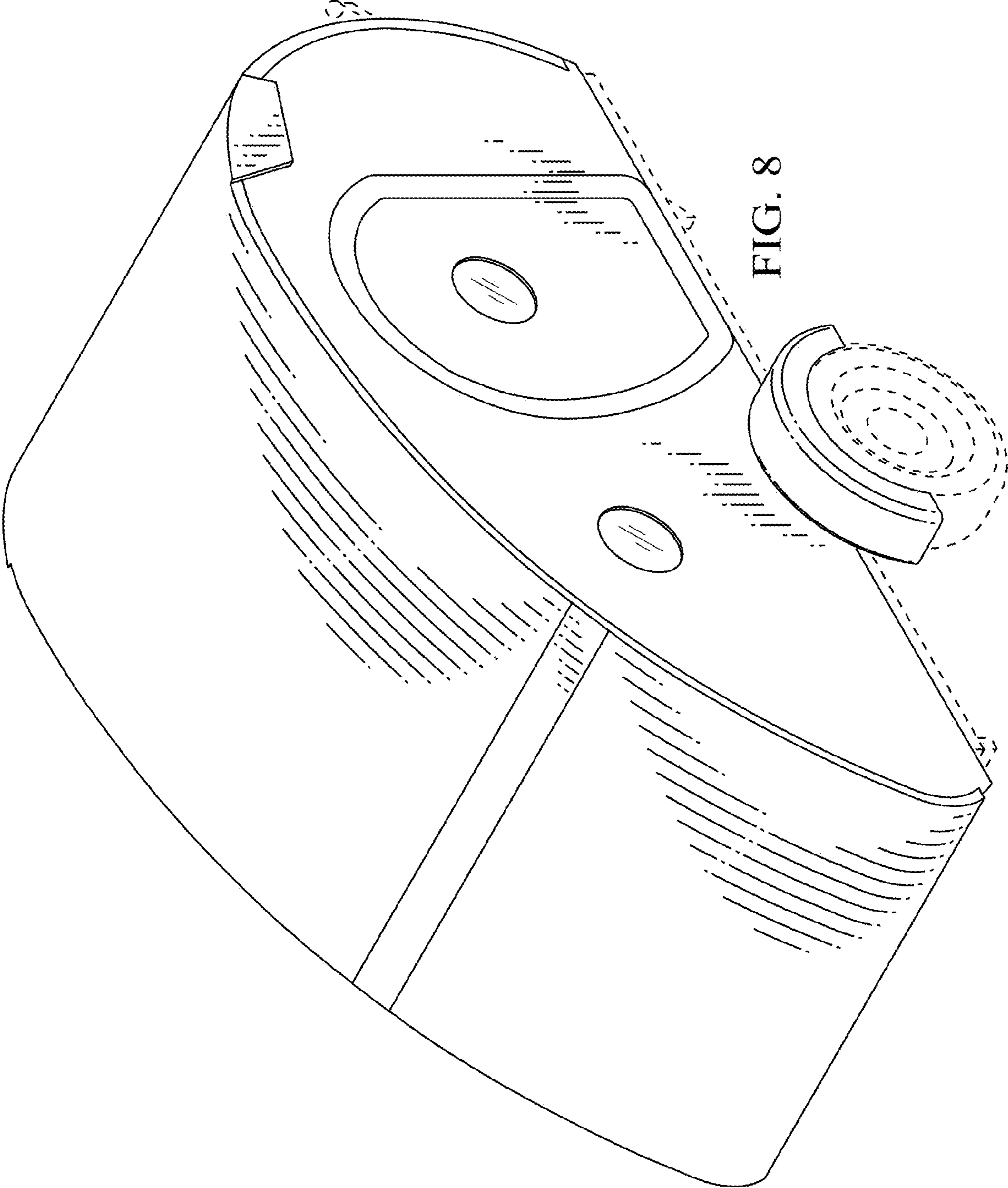


FIG. 8

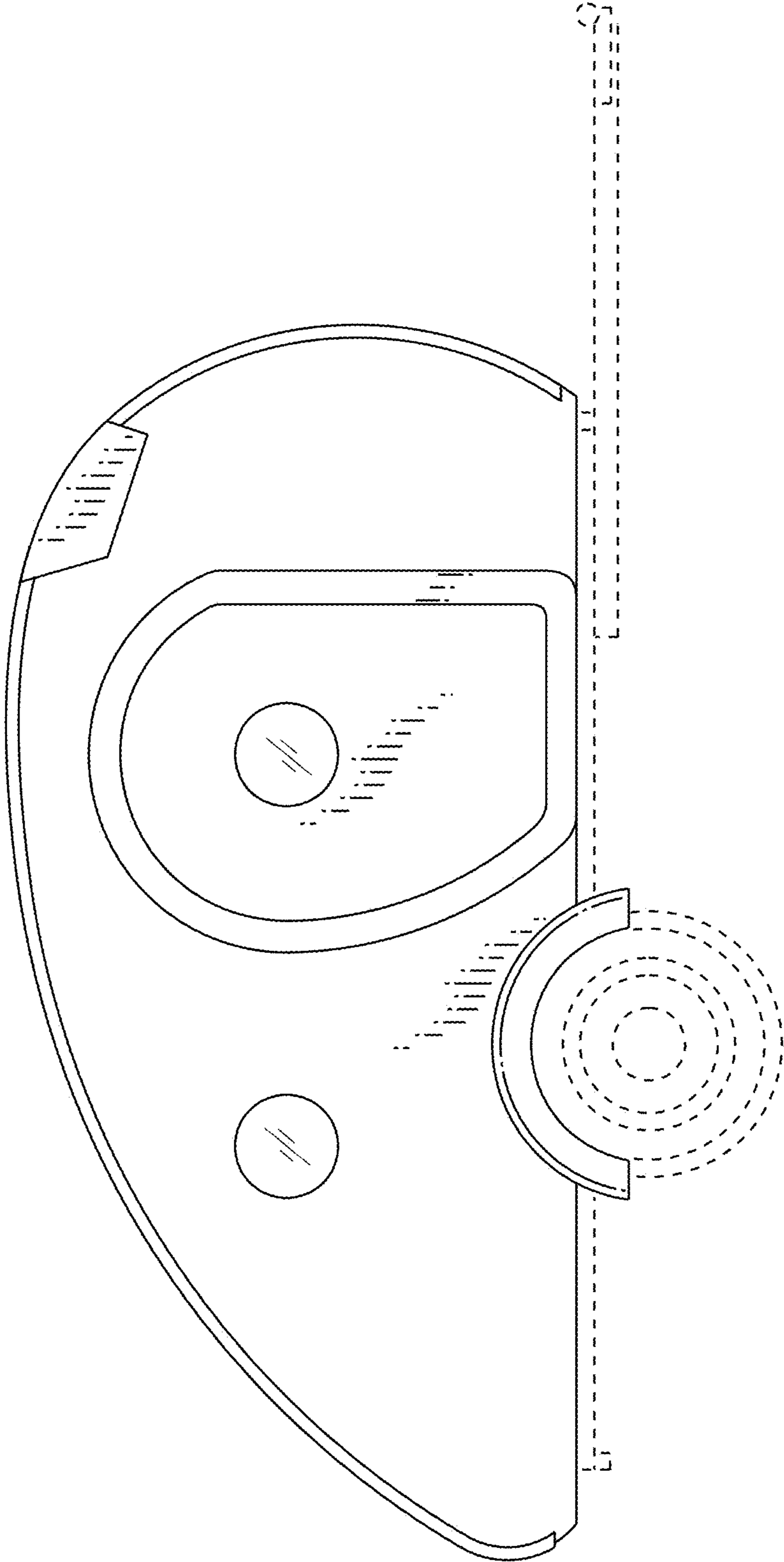


FIG. 9