



US00D868629S

(12) **United States Design Patent**
Mikhailov

(10) **Patent No.:** **US D868,629 S**

(45) **Date of Patent:** **** Dec. 3, 2019**

(54) **OFF-ROAD VEHICLE BODY**

(71) Applicant: **BOMBARDIER RECREATIONAL PRODUCTS INC.**, Valcourt (CA)

(72) Inventor: **Alexei Mikhailov**, Bromont (CA)

(73) Assignee: **BOMBARDIER RECREATIONAL PRODUCTS INC.**, Valcourt (CA)

(**) Term: **15 Years**

(21) Appl. No.: **29/640,673**

(22) Filed: **Mar. 16, 2018**

Related U.S. Application Data

(63) Continuation-in-part of application No. 29/618,356, filed on Sep. 20, 2017.

(51) **LOC (12) Cl.** **12-08**

(52) **U.S. Cl.**
USPC **D12/87**

(58) **Field of Classification Search**
USPC D12/3, 4, 5, 14, 85, 86, 87, 107, 110
(Continued)

(56) **References Cited**

U.S. PATENT DOCUMENTS

D286,760 S 11/1986 Ooba et al.
D312,989 S 12/1990 Murata et al.
(Continued)

FOREIGN PATENT DOCUMENTS

EM 000946835-2 6/2008
EM 003396324-1 10/2016

OTHER PUBLICATIONS

Bibliographic data of Indian Design No. 259730; retrieved from <https://www.tmdn.org/tmdsview-web/welcome> on Sep. 26, 2018.

(Continued)

Primary Examiner — Darlington Ly

(74) *Attorney, Agent, or Firm* — BCF LLP

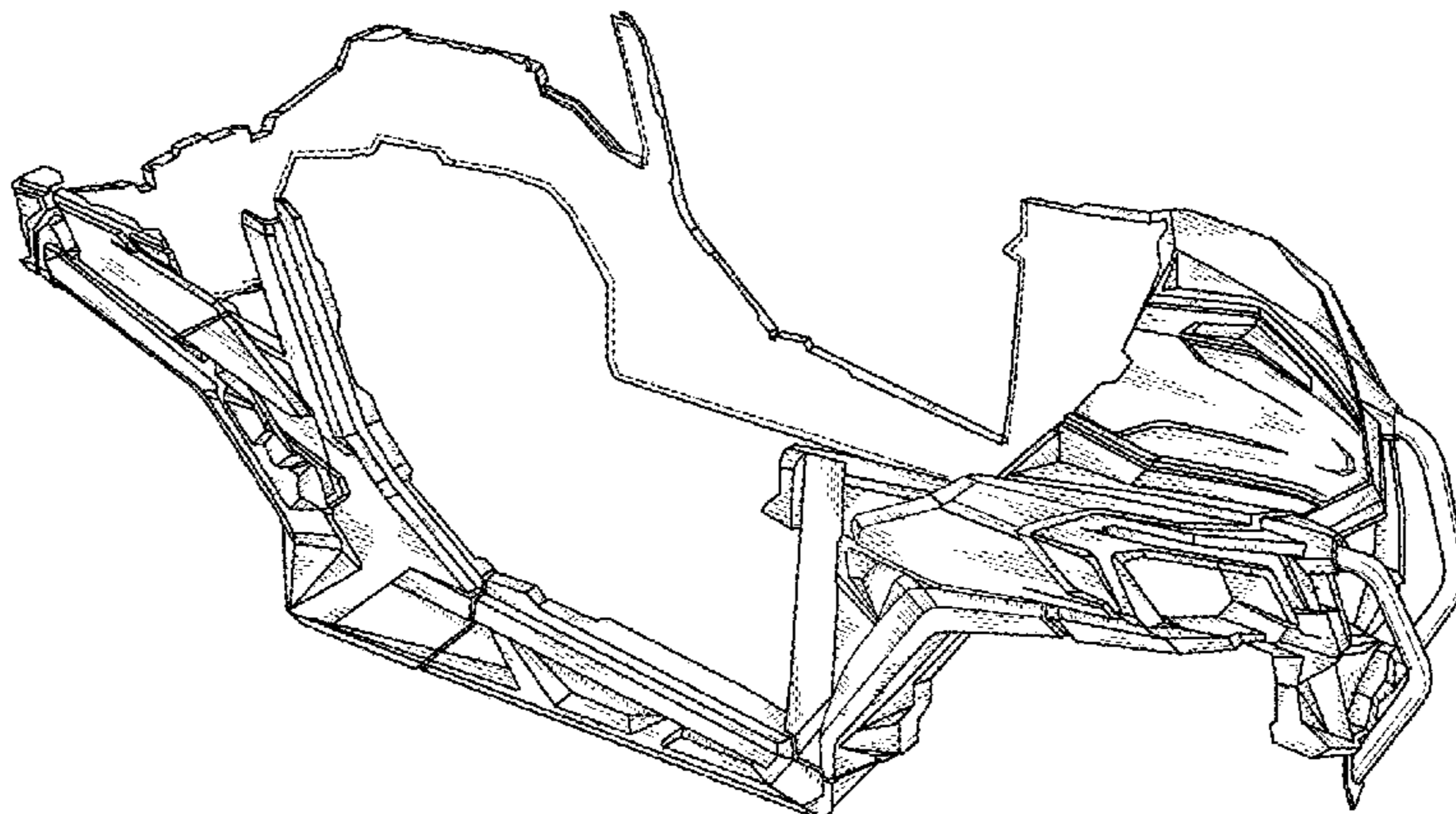
(57) **CLAIM**

The ornamental design for an off-road vehicle body, as shown and described.

DESCRIPTION

FIG. 1 is a right side elevation view of an off-road vehicle body showing my new design;
FIG. 2 is a front elevation view thereof;
FIG. 3 is a left side elevation view thereof;
FIG. 4 is a rear elevation view thereof;
FIG. 5 is a top plan view thereof;
FIG. 6 is a bottom plan view thereof;
FIG. 7 is a perspective view taken from a front, right side thereof;
FIG. 8 is a perspective view taken from a rear, left side thereof;
FIG. 9 is a right side elevation view thereof shown on a vehicle shown in dotted lines;
FIG. 10 is a front elevation view thereof shown on the vehicle shown in dotted lines;
FIG. 11 is a left side elevation view thereof shown on the vehicle shown in dotted lines;
FIG. 12 is a rear elevation view thereof shown on the vehicle shown in dotted lines;
FIG. 13 is a top plan view thereof shown on the vehicle shown in dotted lines;
FIG. 14 is a bottom plan view thereof shown on the vehicle shown in dotted lines;
FIG. 15 is a perspective view taken from a front, right side thereof shown on the vehicle shown in dotted lines; and,
FIG. 16 is a perspective view taken from a rear, left side thereof shown on the vehicle shown in dotted lines.
The broken line showing portions of the off-road vehicle is provided for the purpose of illustrating environmental structure and forms no part of the claimed design.

1 Claim, 16 Drawing Sheets



(58) **Field of Classification Search**
 CPC B62D 23/00; B62D 21/18; B62D 21/183;
 B62D 24/02; B62D 25/00; B62D 39/00;
 B62D 49/06; B62D 49/0621
 See application file for complete search history.

(56) **References Cited**

U.S. PATENT DOCUMENTS

D327,237	S	6/1992	Miyamoto et al.	
D500,707	S	1/2005	Lu	
D503,658	S	4/2005	Lu	
D549,133	S	8/2007	LePage	
D555,036	S *	11/2007	Eck	D12/87
D622,631	S	8/2010	Lai et al.	
D631,395	S *	1/2011	Tandrup	D12/14
D633,006	S *	2/2011	Sanschagrín	D12/14
D650,311	S	12/2011	Bracy	
D660,746	S *	5/2012	Bracy	D12/87
D682,739	S	5/2013	Patterson et al.	
D701,469	S	3/2014	Lai et al.	
D703,102	S *	4/2014	Eck	D12/87

D705,127	S	5/2014	Patterson et al.	
D712,311	S	9/2014	Morgan et al.	
D719,061	S *	12/2014	Tandrup	D12/87
D737,724	S	9/2015	Schroeder et al.	
D739,304	S	9/2015	Brown	
9,327,587	B2	5/2016	Spindler et al.	
D762,522	S *	8/2016	Kinoshita	D12/87
D764,974	S *	8/2016	Mikhailov	D12/14
D772,755	S *	11/2016	Tandrup	D12/14
9,725,023	B2 *	8/2017	Miller	B60P 1/04
9,776,481	B2	10/2017	Deckard et al.	
D804,993	S *	12/2017	Eck	D12/87
D805,009	S	12/2017	Eck et al.	
D805,015	S *	12/2017	Eck	D12/196
D835,545	S *	12/2018	Hanten	D12/87

OTHER PUBLICATIONS

Bibliographic data of Brazilian Design No. 302012006313; retrieved from <https://www.tmdn.org/tmdsview-web/welcome> on Sep. 26, 2018.

* cited by examiner

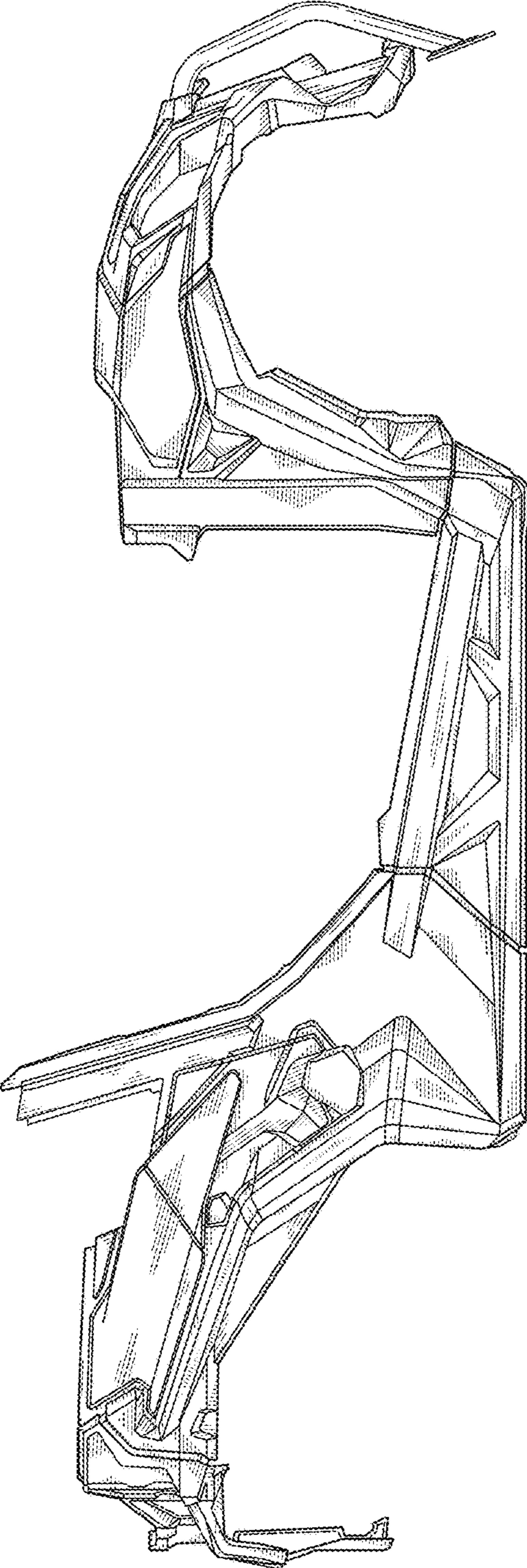


FIG.1

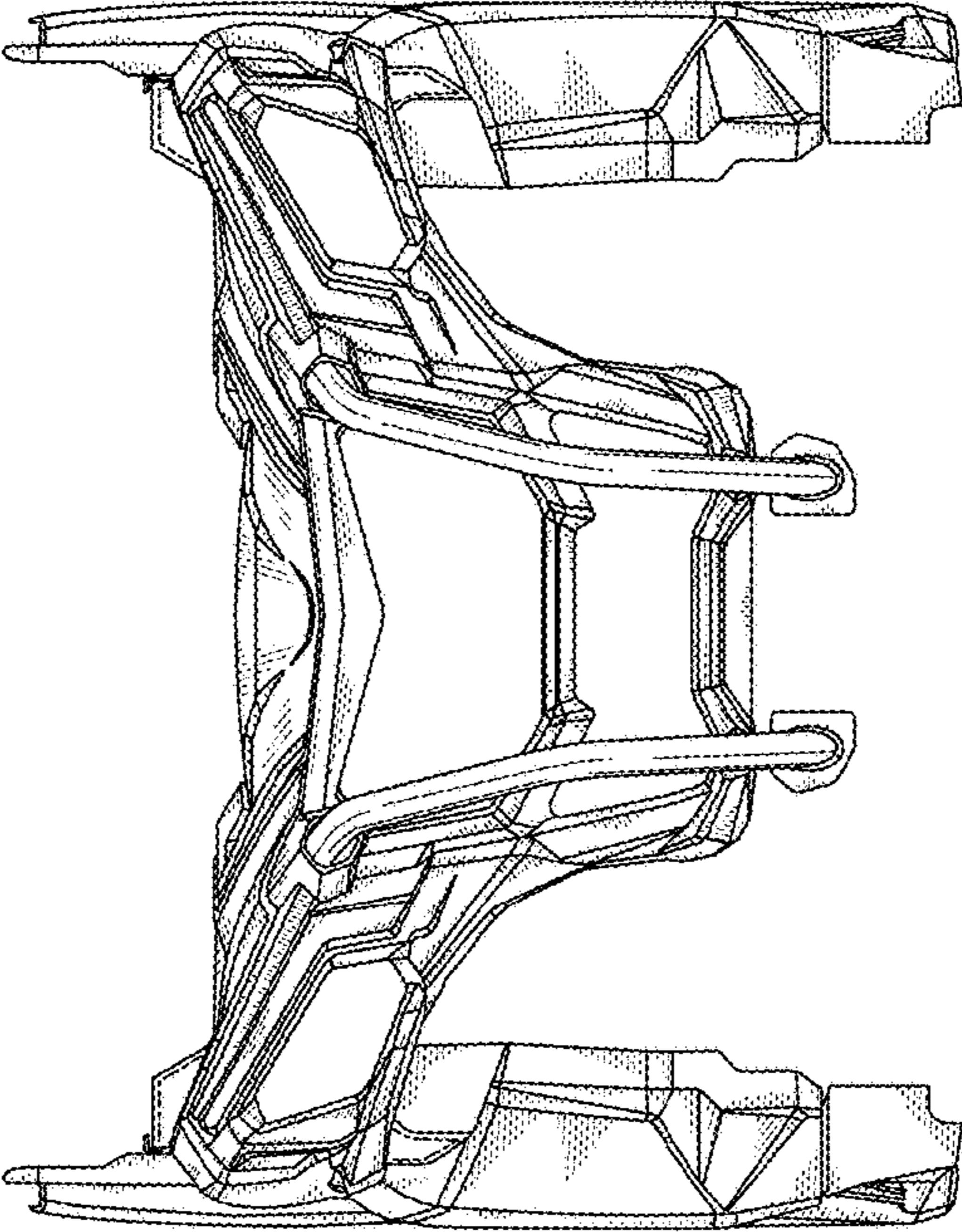


FIG.2

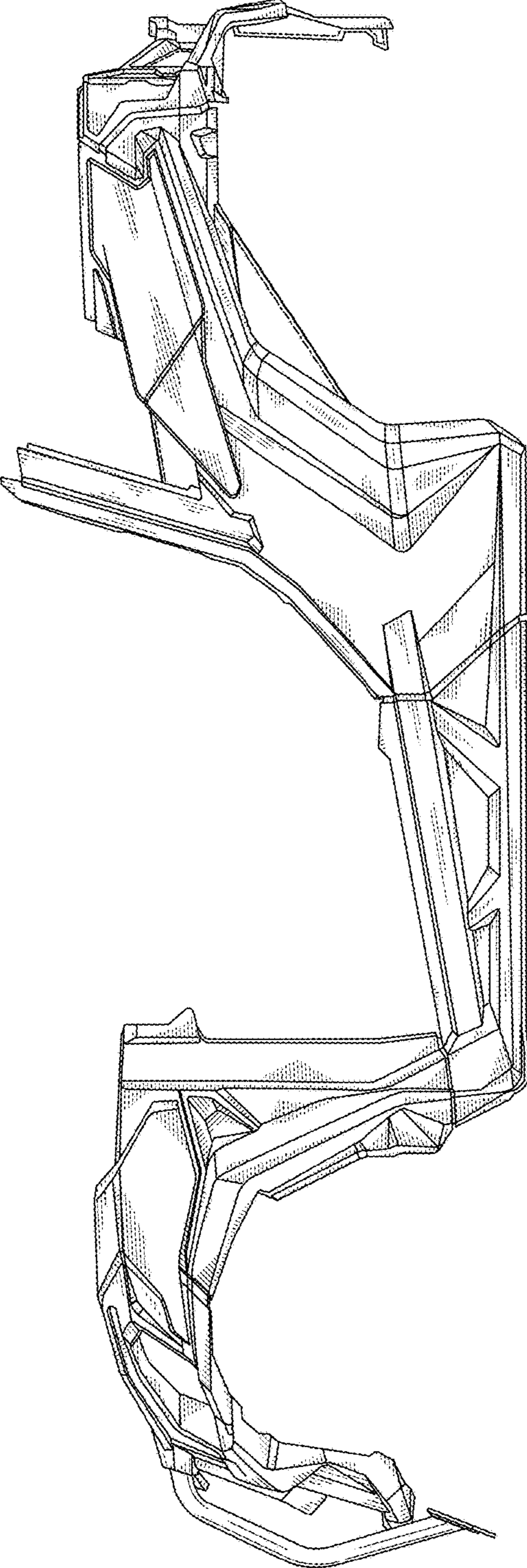


FIG.3

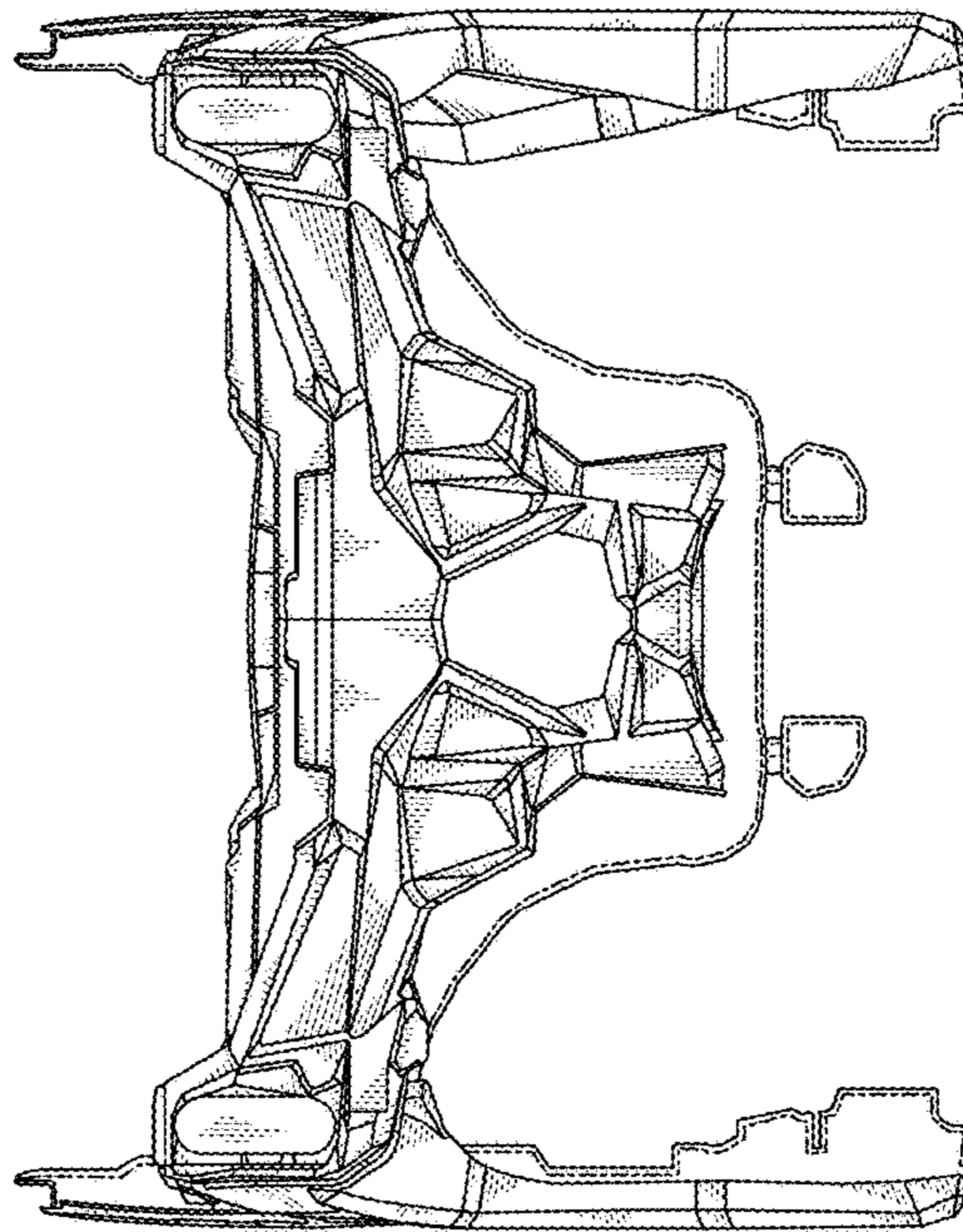


FIG.4

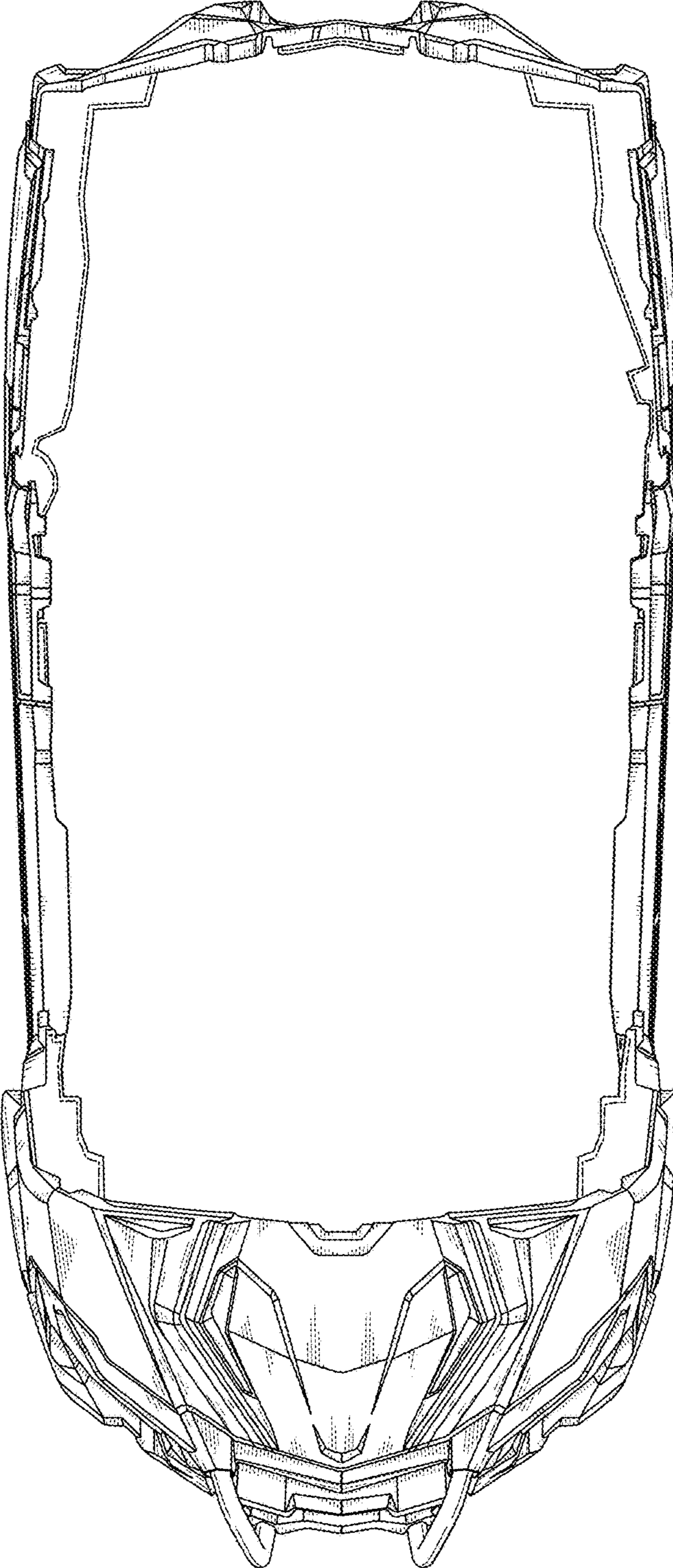


FIG.5

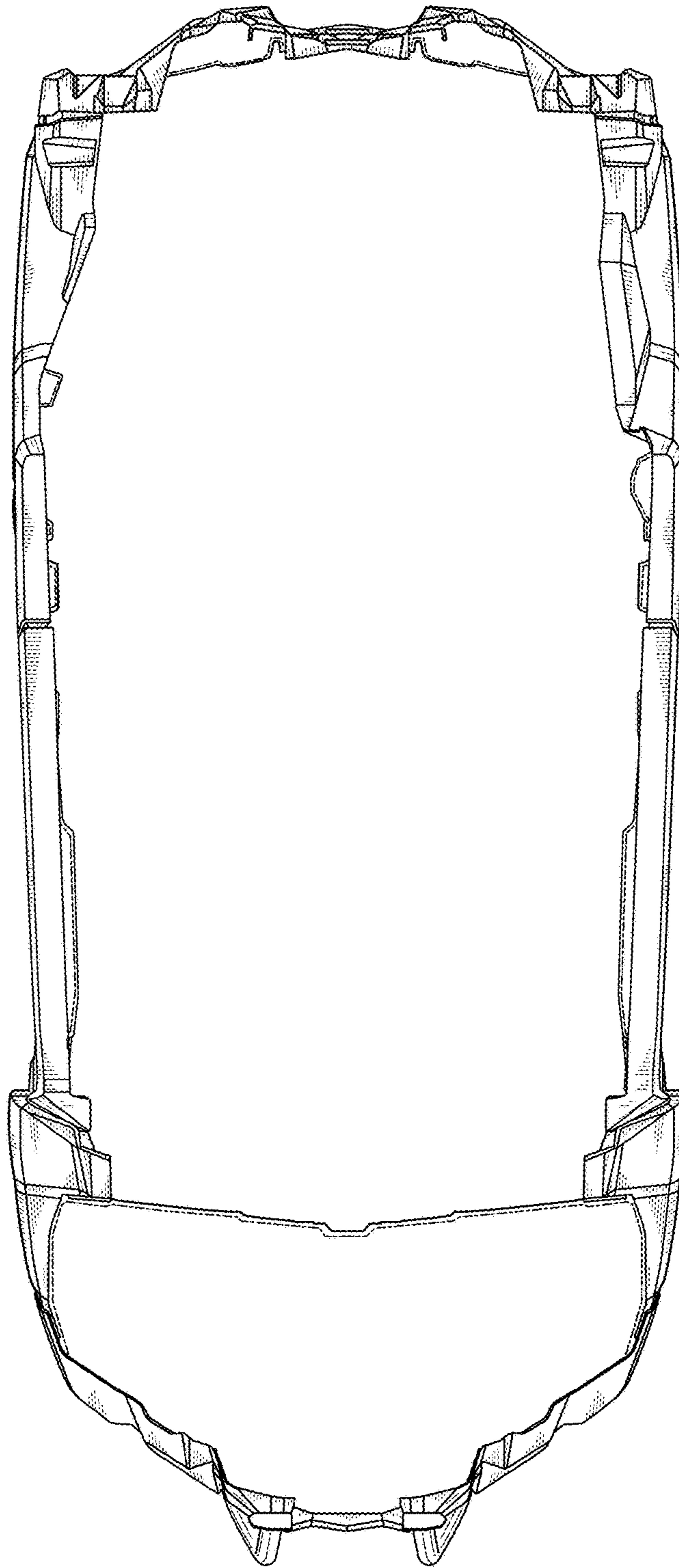


FIG.6

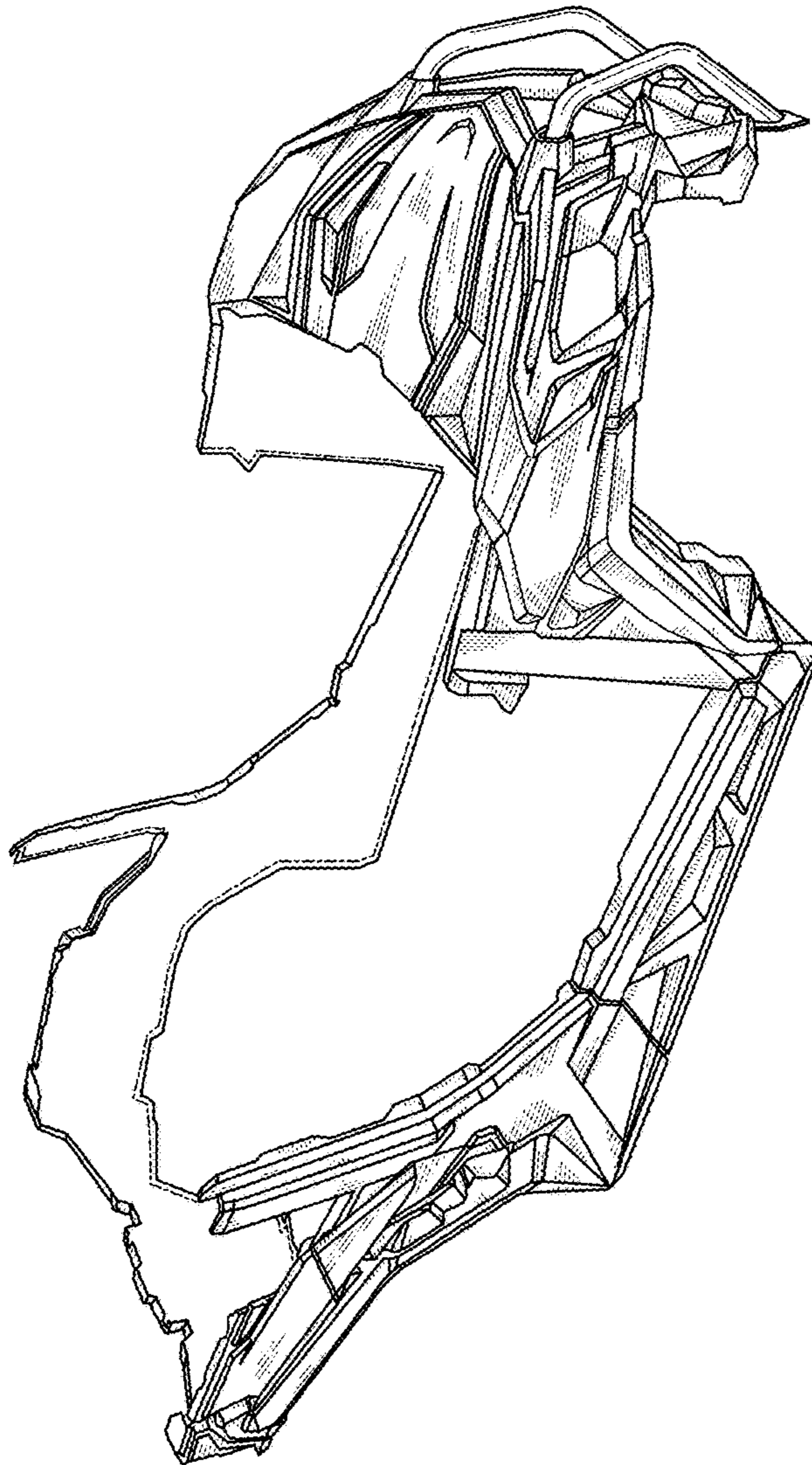


FIG.7

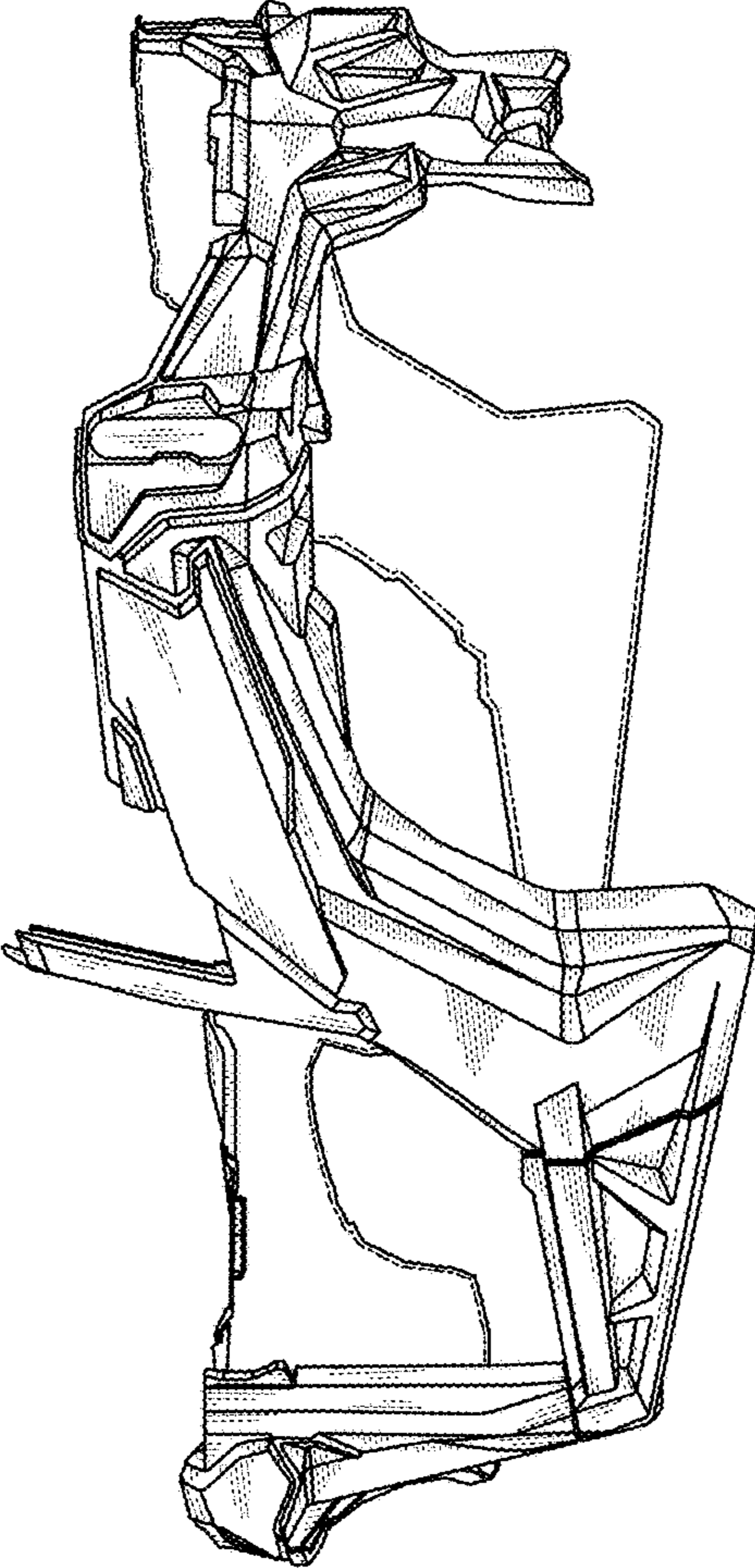


FIG. 8

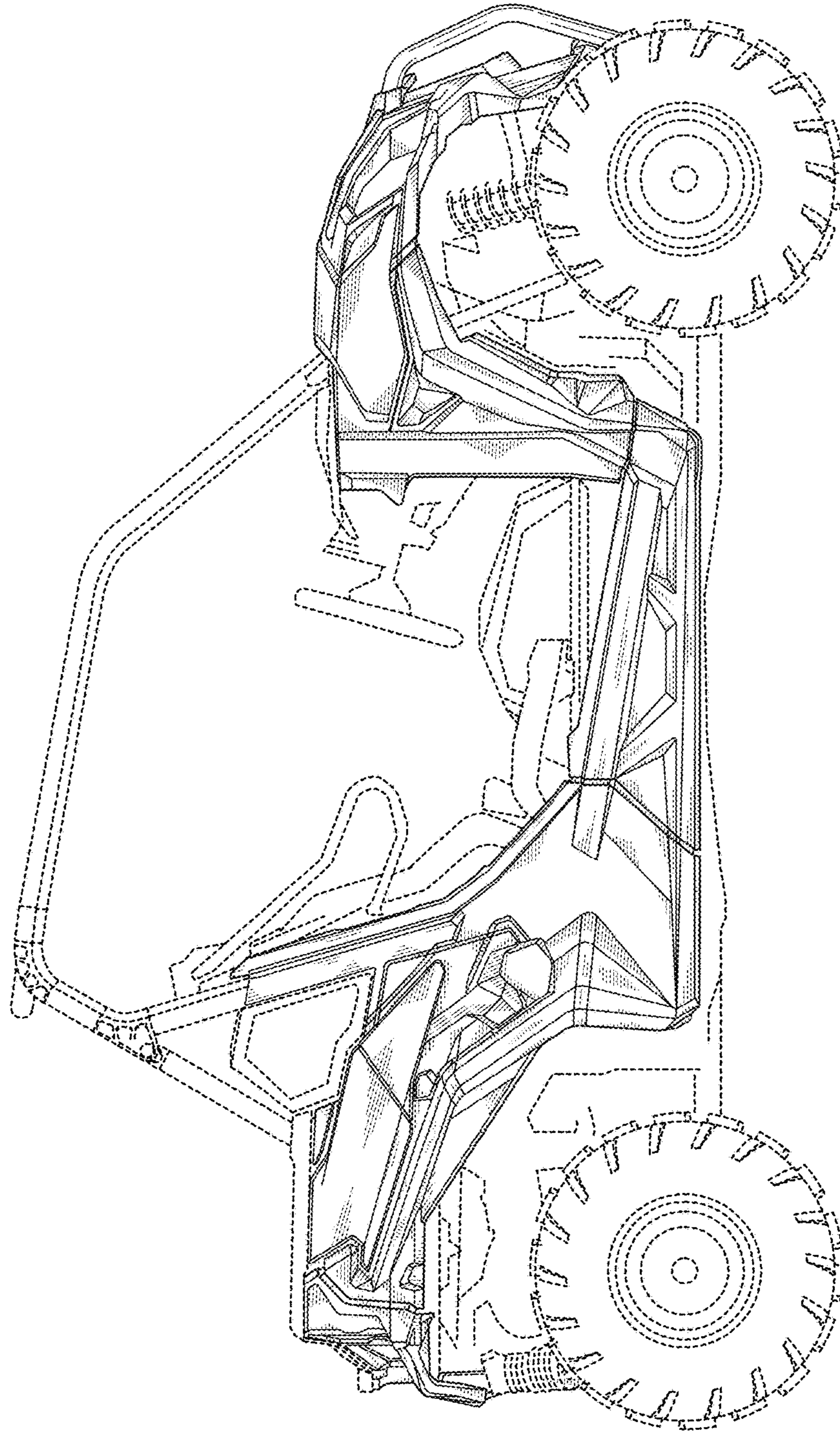


FIG. 9

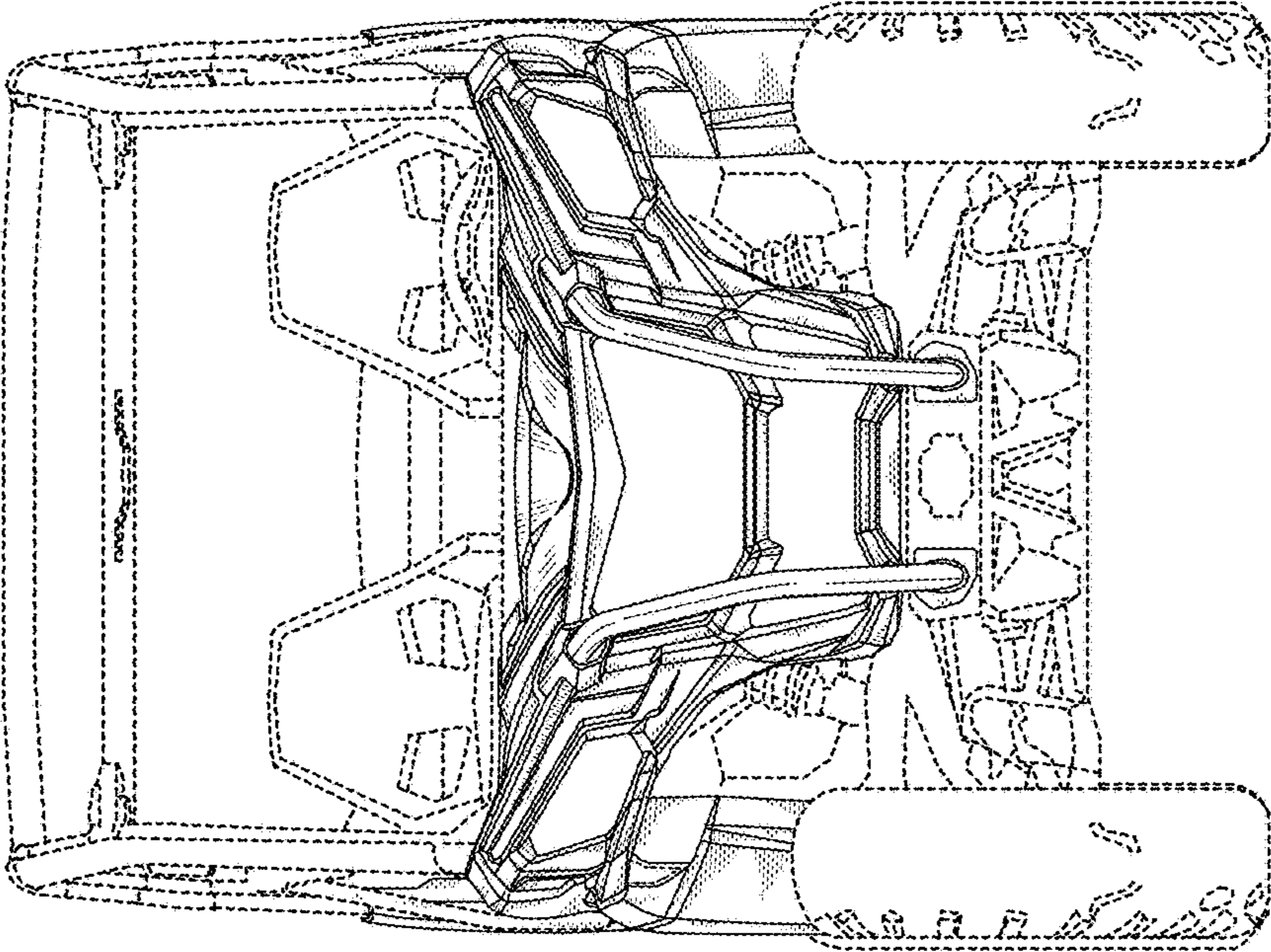


FIG.10

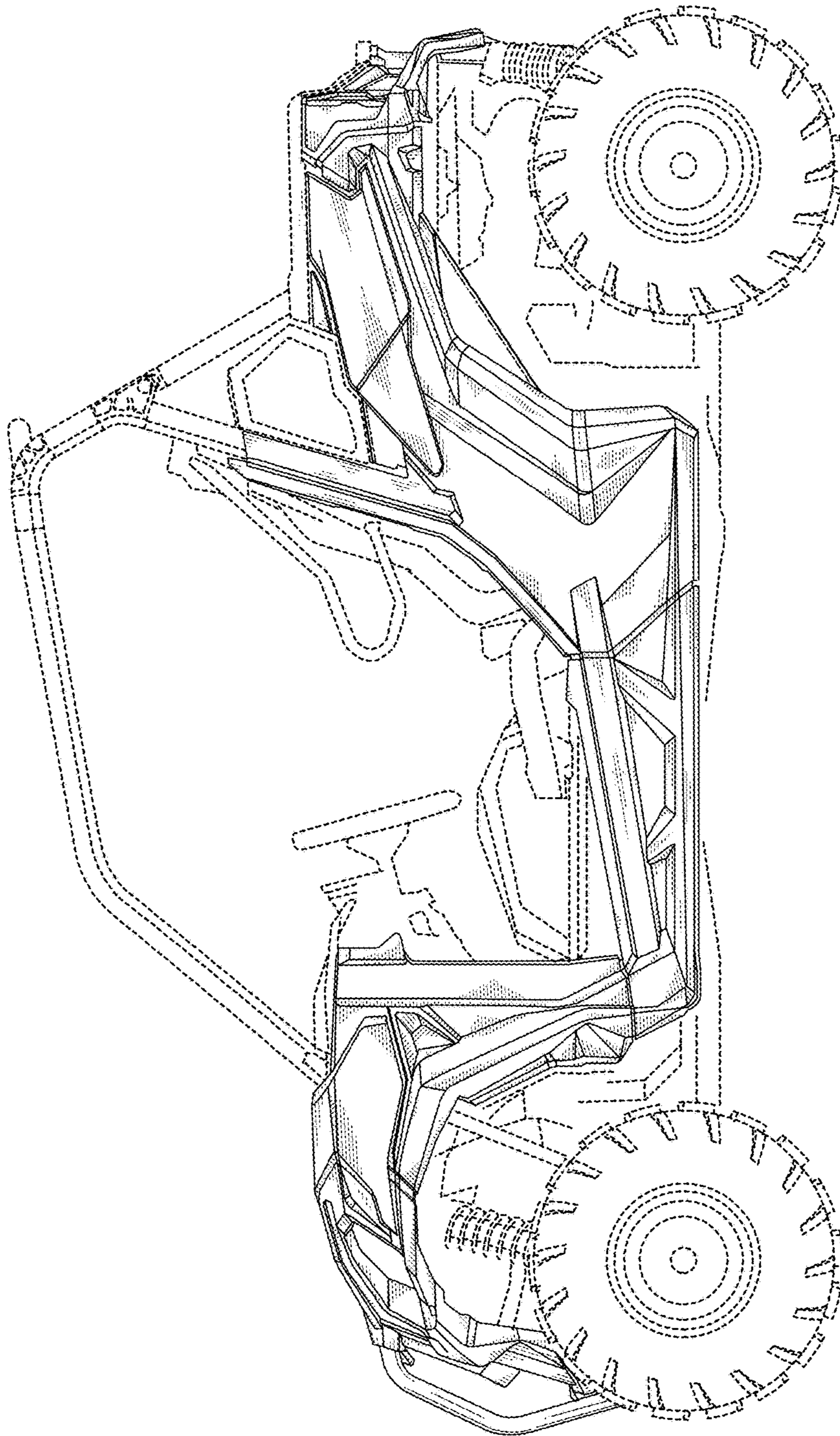


FIG.11

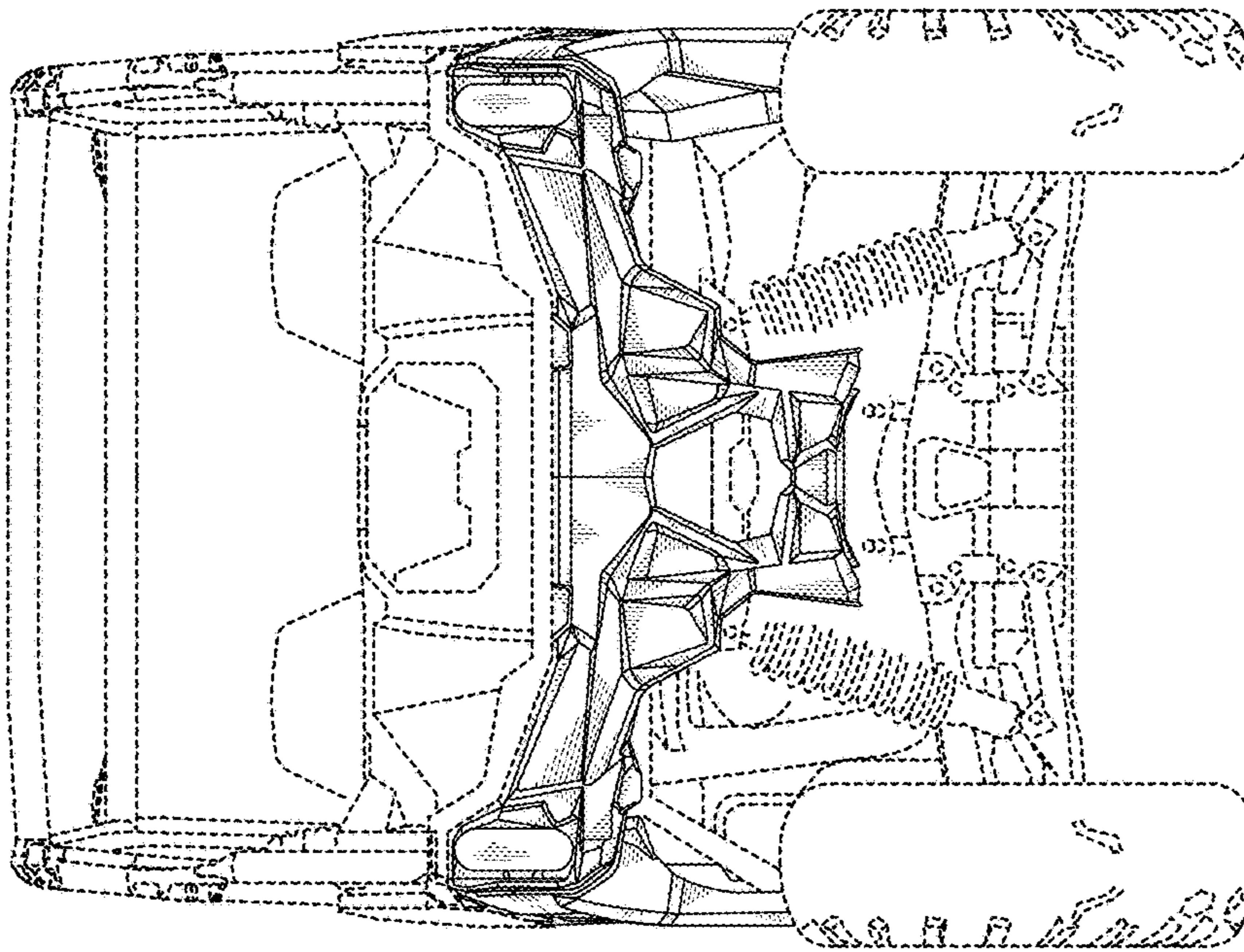


FIG.12

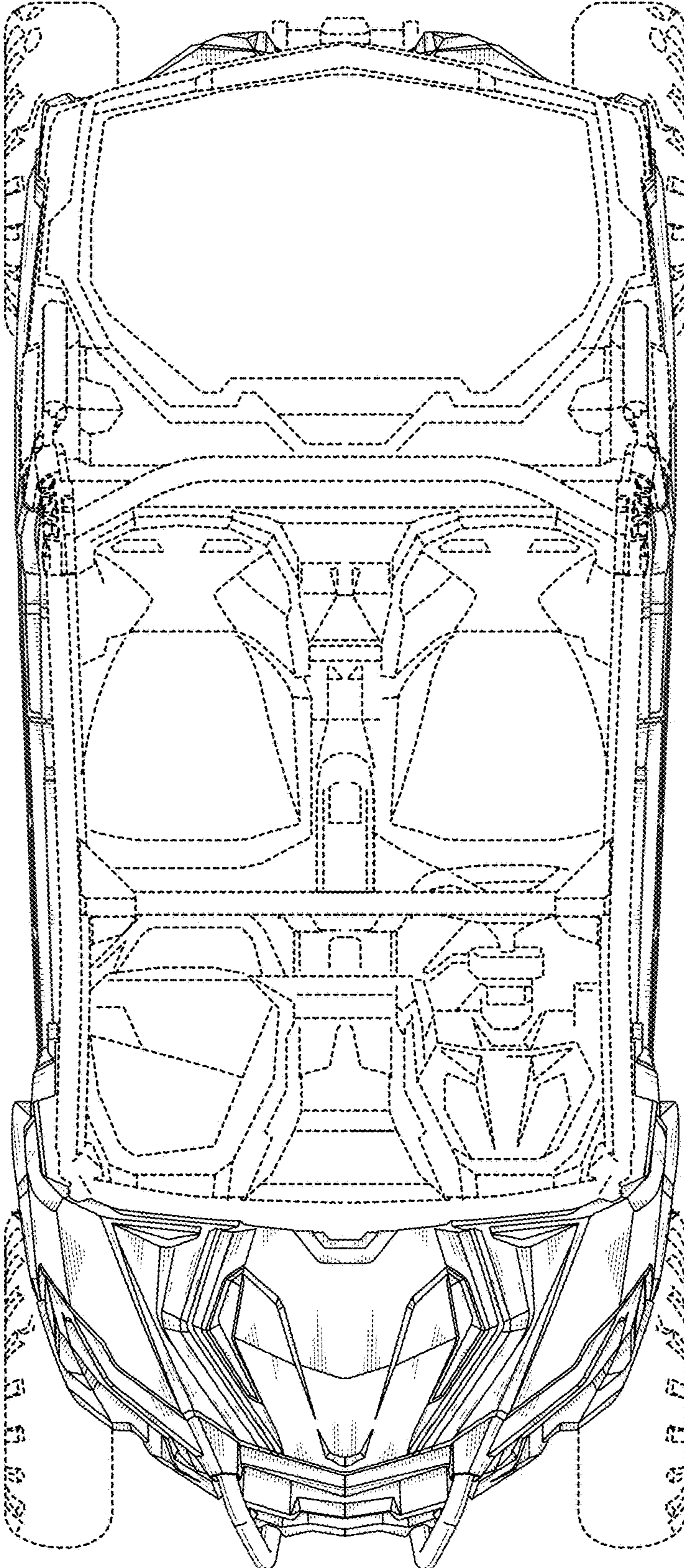


FIG.13

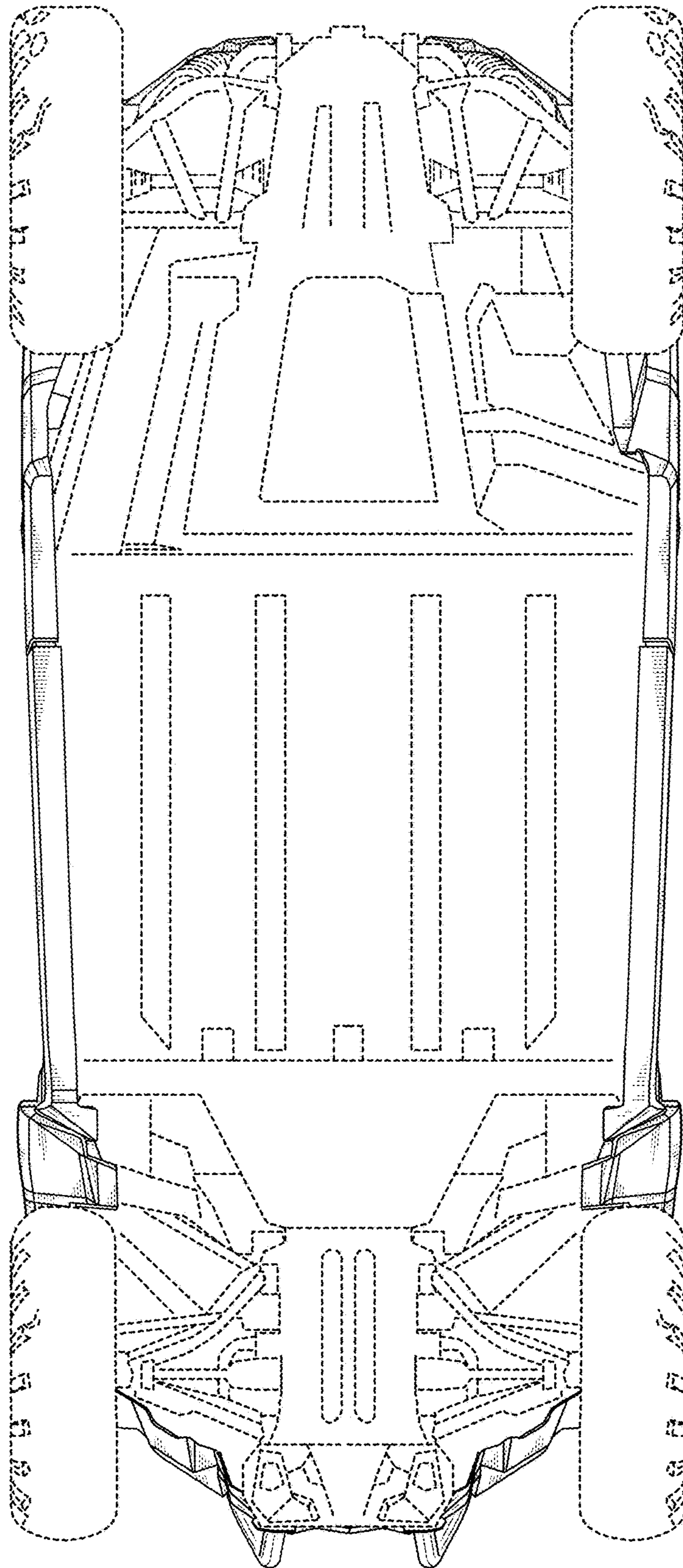


FIG.14

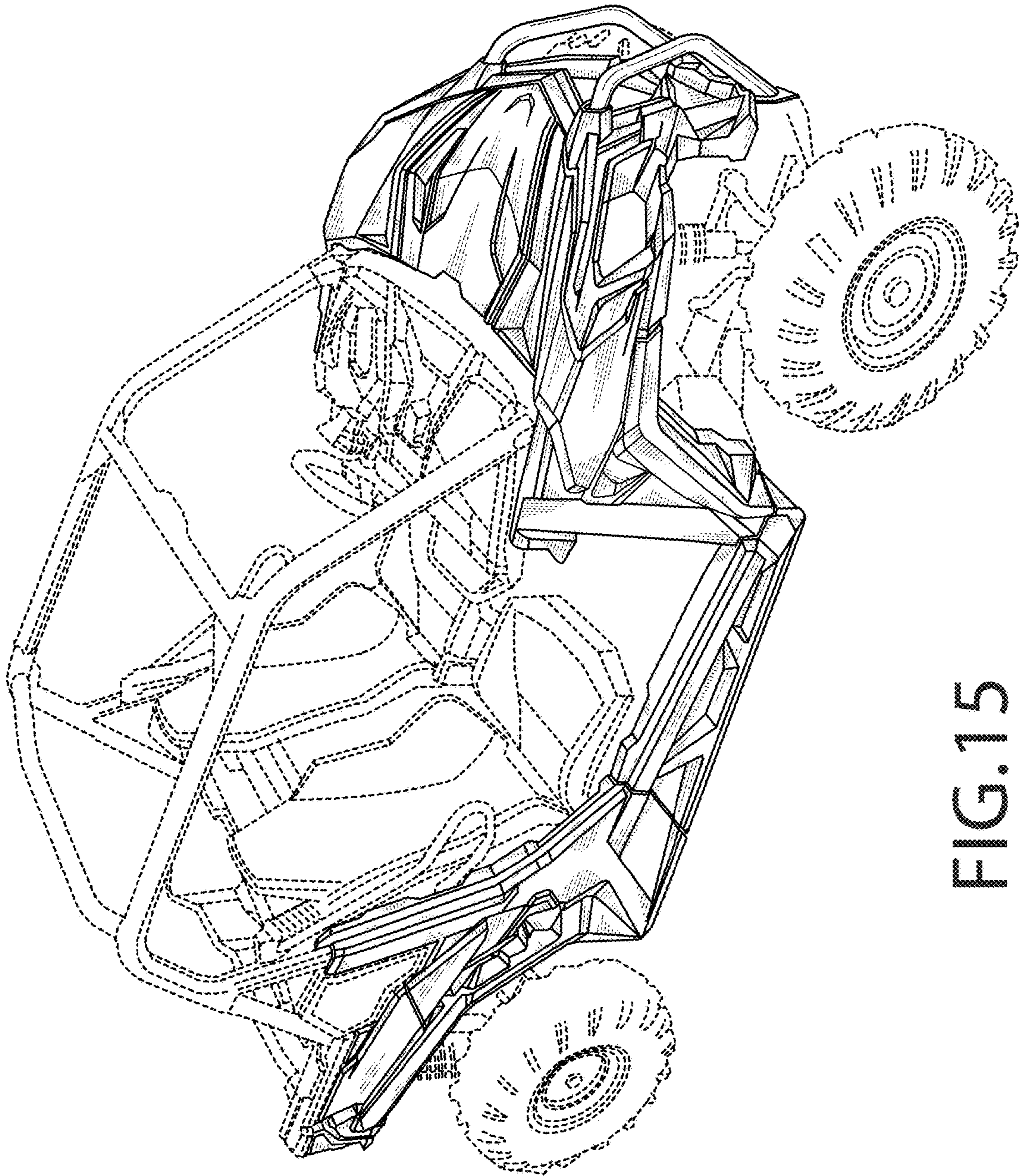


FIG.15

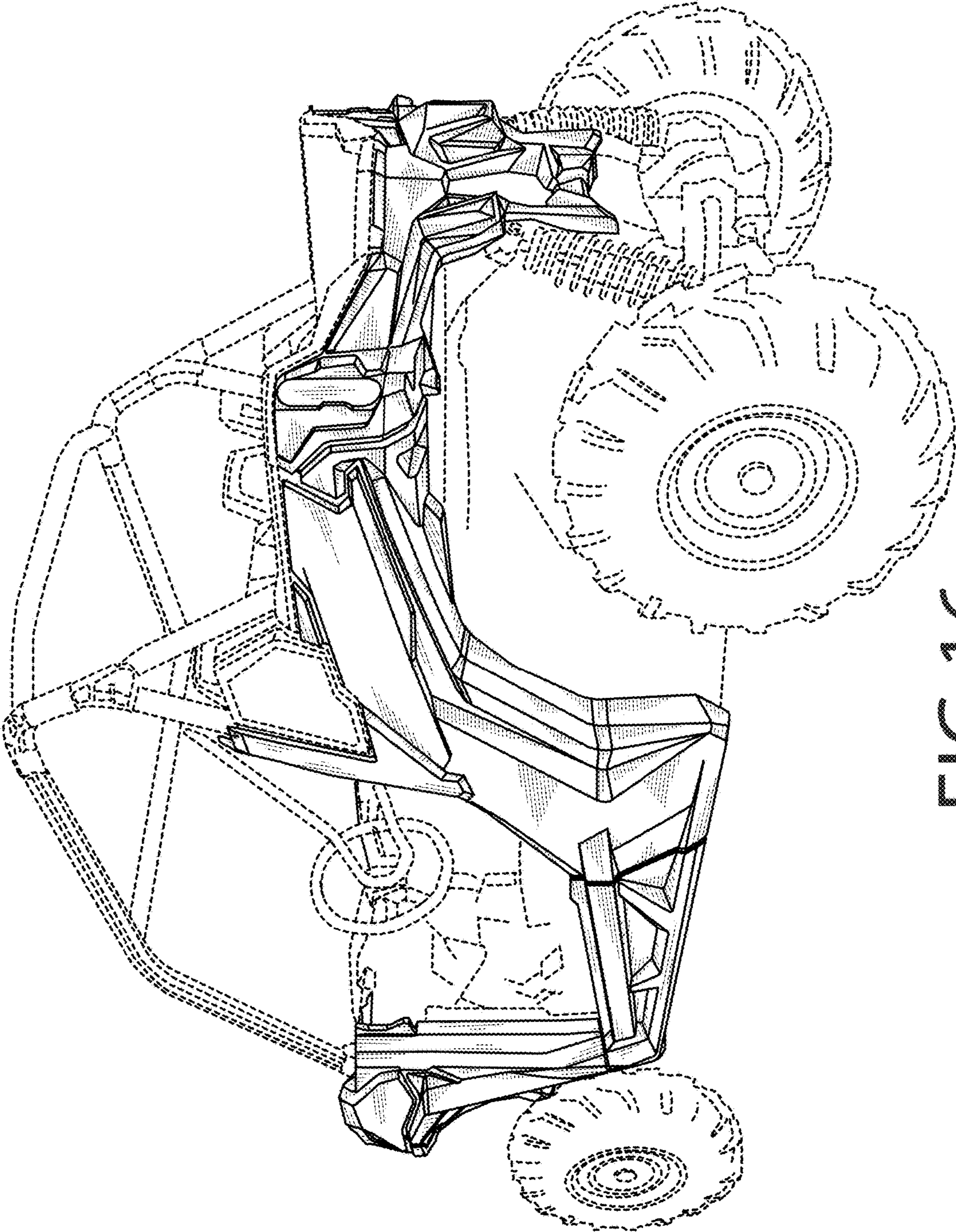


FIG.16