



US00D868627S

(12) **United States Design Patent** (10) **Patent No.:** **US D868,627 S**
Evulet et al. (45) **Date of Patent:** **** Dec. 3, 2019**

(54) **FLYING CAR**
(71) Applicant: **JETOPTERA, INC.**, Edmonds, WA (US)
(72) Inventors: **Andrei Evulet**, Edmonds, WA (US); **Tyler Smallwood**, Edmonds, WA (US)
(73) Assignee: **JETOPTERA, INC.**, Edmonds, WA (US)

D103,290 S * 2/1937 Wendt D12/324
D106,275 S * 10/1937 Bellanca D12/335
D112,834 S * 1/1939 Seversky 244/45 R
2,147,968 A * 2/1939 Delanne B64C 39/00
244/119
D113,649 S * 3/1939 Abrams 244/91
D114,122 S * 4/1939 Martin 244/105
(Continued)

(**) Term: **15 Years**
(21) Appl. No.: **29/645,616**

FOREIGN PATENT DOCUMENTS
CN 202508281 U 10/2012
CN 102991669 B 3/2013
(Continued)

(22) Filed: **Apr. 27, 2018**
(51) **LOC (12) Cl.** **12-14**
(52) **U.S. Cl.**
USPC **D12/4; D12/319**
(58) **Field of Classification Search**
USPC D12/319-345, 1-4, 16.1, 214;
D21/436-454; D30/160
CPC B64C 29/0025; B64C 2201/108; B64C
2201/048; B64C 2201/088; B64C 29/00;
B64C 29/0058; B64C 39/001; B64C
39/024; B64C 39/062; B64C 2201/141;
B64C 27/12
See application file for complete search history.

OTHER PUBLICATIONS
Jetoptera by Electric VTOL News. dated May 2018. found online
[Mar. 15, 2019] <http://evtol.news/aircraft/jetoptera-j2000/>.
(Continued)

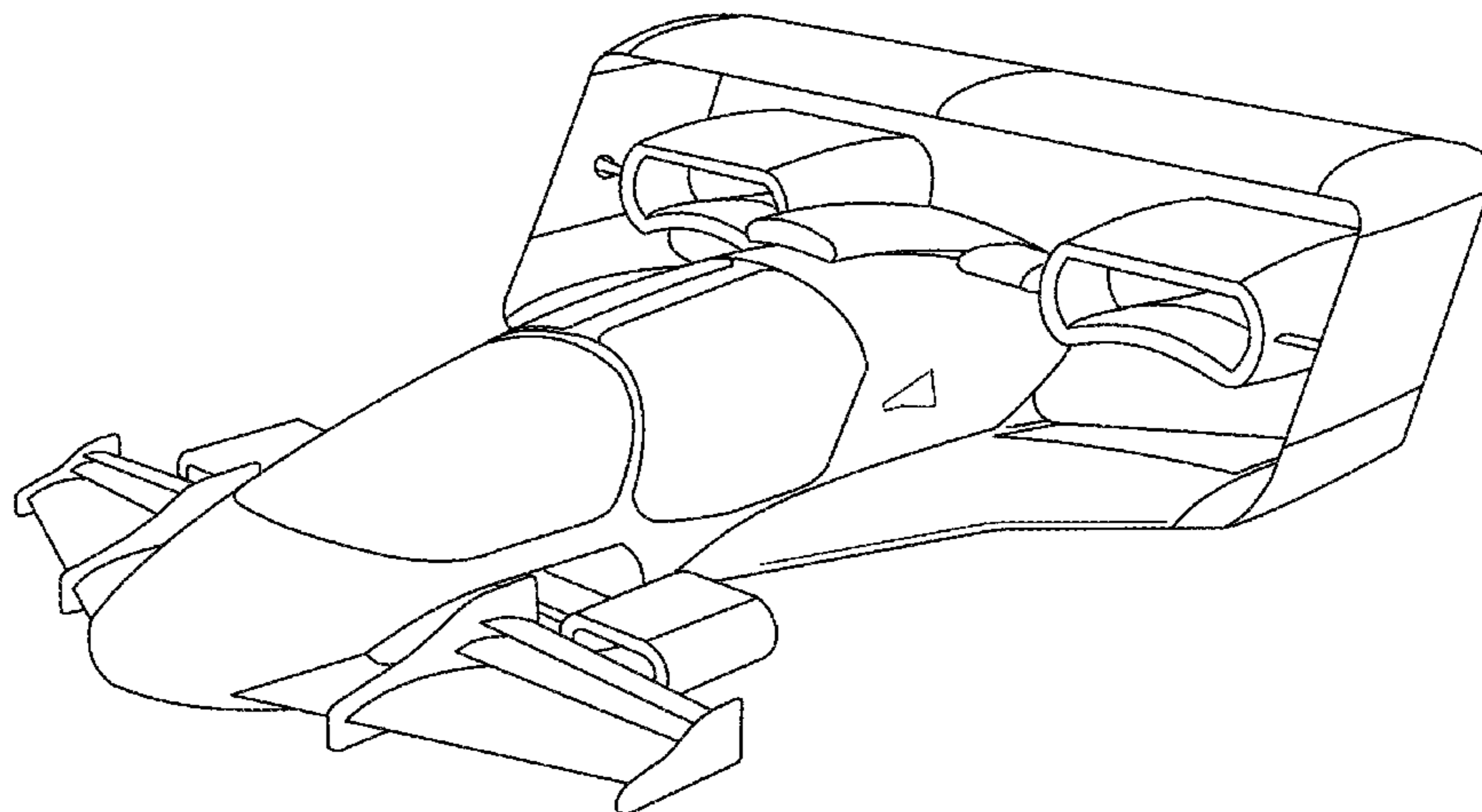
Primary Examiner — Marissa J Cash
(74) *Attorney, Agent, or Firm* — Foster Garvey PC

(56) **References Cited**
U.S. PATENT DOCUMENTS
1,495,185 A 5/1924 Kirgan
D82,314 S * 10/1930 Christmas D12/335
1,821,468 A 9/1931 Hanley
1,891,166 A 12/1932 Leupold
D91,444 S * 1/1934 Shelton D12/335
D97,361 S * 10/1935 Swanson D12/335
D97,652 S * 11/1935 Swanson D12/335
D98,660 S * 2/1936 Burnelli D12/335
D100,608 S * 7/1936 Taylor et al. D12/335
D100,609 S * 7/1936 Wilson et al. D12/335
D101,928 S * 11/1936 Wilson et al. D12/331

(57) **CLAIM**
The ornamental design for a flying car, is claimed as shown and described.

DESCRIPTION
FIG. 1 is a front perspective view of a flying car, showing my new design;
FIG. 2 is a top plan view thereof;
FIG. 3 is a bottom plan view thereof;
FIG. 4 is a left side elevation view thereof;
FIG. 5 is a right side elevation view thereof;
FIG. 6 is a front elevation view thereof; and,
FIG. 7 is a rear elevation view thereof.
The broken lines shown in the drawings are included for the purpose of illustrating environmental structure and form no part of the claimed design.

1 Claim, 7 Drawing Sheets



(56)

References Cited

U.S. PATENT DOCUMENTS

- D114,626 S * 5/1939 Taylor et al. 244/119
D115,854 S * 7/1939 Loudy 244/13
D119,714 S * 3/1940 Hibbard 244/13
D123,427 S * 11/1940 Brandrup D12/335
D126,067 S * 3/1941 Boushey D12/335
D129,412 S * 9/1941 Nebesar D12/324
D130,651 S * 12/1941 Silverstein 244/13
RE22,029 E * 2/1942 Nebesar B64C 39/04
244/13
D133,126 S * 7/1942 Woods D12/335
D133,777 S * 9/1942 Gardenhire 244/49
D135,994 S * 7/1943 Floren 244/215
D135,995 S * 7/1943 Floren 244/215
D136,078 S * 8/1943 Novikoff 244/106
D136,249 S * 8/1943 Burnelli D12/333
D136,296 S * 8/1943 Sznycer 244/16
D138,102 S * 6/1944 Kelly 244/106
D138,217 S * 7/1944 Van Zelm 244/13
D138,218 S * 7/1944 Van Zelm 244/13
D138,795 S * 9/1944 Stoughton 244/45 R
D139,028 S * 10/1944 Stout 244/45 R
D139,438 S * 11/1944 Hughes et al. 244/13
D140,113 S * 1/1945 Biasell 244/13
D140,220 S * 1/1945 Thieblot 244/45 R
D143,729 S * 2/1946 Hall et al. 244/74
D143,730 S * 2/1946 Hall et al. 244/74
D143,731 S * 2/1946 Hall et al. 244/74
D143,732 S * 2/1946 Hall et al. 244/74
D143,820 S * 2/1946 Hibbard et al. 244/13
D144,211 S * 3/1946 Northrop et al. 244/37
D144,938 S * 6/1946 Schmued 244/36
D148,595 S * 2/1948 Thieblot 244/45 R
D157,645 S * 3/1950 Thieblot D12/335
D159,110 S * 6/1950 Thieblot 244/13
D159,198 S * 7/1950 Greenwood et al. D12/335
D160,841 S * 11/1950 Burnelli 244/13
D160,842 S * 11/1950 Burnelli 244/13
D162,517 S * 3/1951 Burnelli 244/13
D163,722 S * 6/1951 Vinje 244/2
D164,371 S * 8/1951 Voque D12/335
D164,843 S * 10/1951 Burnelli D12/333
2,585,676 A 2/1952 Poisson-Quinton
2,593,420 A 4/1952 Diehl
2,684,817 A 7/1954 Roy
2,752,114 A * 6/1956 Calvy B60J 5/125
244/118.3
D179,811 S * 3/1957 Messerschmid D12/327
2,796,731 A 6/1957 Morley
2,870,600 A 1/1959 Brown
2,885,162 A 5/1959 Griswold
D185,535 S * 6/1959 Coleman D12/333
D185,546 S * 6/1959 Geraci 244/45 R
2,922,277 A 1/1960 Bertin
2,928,238 A 3/1960 Hawkins, Jr.
D190,534 S * 6/1961 Smolinski D12/330
2,988,303 A 6/1961 Coanda
2,989,845 A 6/1961 Howald
3,017,139 A * 1/1962 Binder B64C 39/062
244/12.6
D192,195 S * 2/1962 Stepniewski D12/330
D192,337 S * 3/1962 Skaggs D12/335
D192,665 S * 4/1962 Stepniewski D12/335
3,028,121 A 4/1962 Klapproth
3,045,947 A 7/1962 Bertin et al.
3,047,208 A 7/1962 Coanda
3,049,320 A * 8/1962 Fletcher B64C 29/0033
244/12.4
3,051,413 A 8/1962 Pouit
3,055,614 A 9/1962 Thompson
3,085,770 A 4/1963 Sutton
3,098,352 A 7/1963 Taub et al.
3,116,041 A 12/1963 Hoerrner
D197,933 S * 4/1964 Sumner D12/324
3,154,267 A 10/1964 Grant
3,161,377 A 12/1964 Balluff
3,174,707 A 3/1965 Ricard
D202,260 S * 9/1965 McConologue D12/335
3,216,653 A 11/1965 Nabour
D203,283 S * 12/1965 Woods 244/13
D203,720 S * 2/1966 Jarchow D12/335
3,318,097 A 5/1967 Wood et al.
3,326,500 A 6/1967 Lanier
3,330,500 A 7/1967 Winborn
3,337,121 A 8/1967 Coanda
3,347,495 A 10/1967 Eberhardt et al.
3,370,794 A 2/1968 Drewry et al.
3,396,538 A 8/1968 Wetherbee, Jr.
3,441,218 A 4/1969 Bucher
3,525,474 A 8/1970 Von Ohain et al.
3,545,701 A 12/1970 Bertin et al.
3,605,939 A 9/1971 Duthion
3,664,611 A 5/1972 Harris
3,667,680 A 6/1972 Weed
3,685,614 A 8/1972 Coanda et al.
3,694,107 A 9/1972 Stein
3,722,454 A 3/1973 Silvester
3,747,855 A 7/1973 Vdoviak et al.
3,747,874 A 7/1973 Johnsen
3,756,542 A 9/1973 Bertin
3,770,227 A 11/1973 Von Ohain et al.
3,795,367 A 3/1974 Mocarski
D231,603 S * 5/1974 Krivka D12/327
3,829,044 A 8/1974 Leslie et al.
3,831,887 A 8/1974 Fosness
3,834,654 A * 9/1974 Miranda B64C 39/068
244/13
3,834,834 A 9/1974 Quinn
3,860,200 A 1/1975 Petrushka
3,875,745 A 4/1975 Franklin
3,878,400 A 4/1975 McSparran
3,879,939 A 4/1975 Markowski
3,885,891 A 5/1975 Thronson
3,887,146 A 6/1975 Bright
3,893,638 A 7/1975 Kelley
3,926,373 A 12/1975 Viets
D238,888 S * 2/1976 Bradley D21/833
D239,274 S * 3/1976 Snyder D12/335
3,941,335 A 3/1976 Viets
3,942,463 A 3/1976 Johnson, Jr. et al.
D239,522 S * 4/1976 Wheatley D12/335
D240,909 S * 8/1976 Whitener D12/335
4,019,696 A 4/1977 Hirt et al.
4,030,289 A 6/1977 Kampe
4,030,687 A 6/1977 Hapke
D245,157 S * 7/1977 Seidel D12/333
4,099,691 A 7/1978 Swanson
D250,727 S * 1/1979 Venditti D21/450
D250,786 S * 1/1979 Venditti D21/450
D250,852 S * 1/1979 Maloney, II D21/450
4,257,224 A 3/1981 Wagnanski et al.
4,311,291 A 1/1982 Gilbertson et al.
4,332,529 A 6/1982 Alperin
D268,107 S * 3/1983 Enav 244/15
4,392,621 A 7/1983 Viets
4,398,683 A 8/1983 Schmetzer
4,398,687 A 8/1983 Nichols, Jr. et al.
4,418,352 A 12/1983 Momose et al.
D273,005 S * 3/1984 McComas D12/335
4,445,338 A 5/1984 Markowski et al.
4,448,354 A 5/1984 Reznick et al.
D274,510 S * 7/1984 McComas D12/338
4,477,039 A 10/1984 Boulton et al.
4,478,378 A 10/1984 Capuani
4,482,108 A 11/1984 Sutton
4,592,202 A 6/1986 Stewart et al.
4,645,140 A 2/1987 Bevilaqua et al.
4,648,571 A 3/1987 Gerhardt
4,666,104 A 5/1987 Kelber
D292,203 S * 10/1987 Ligeti D12/319
D292,910 S * 11/1987 McGiboney D12/331
4,713,935 A 12/1987 Szuminski et al.
4,721,126 A 1/1988 Horii
4,746,082 A * 5/1988 Syms B64D 47/08
244/118.2

(56)

References Cited

U.S. PATENT DOCUMENTS

4,767,083 A 8/1988 Koenig et al.
 4,815,942 A 3/1989 Alperin et al.
 4,819,876 A 4/1989 Thayer
 D301,867 S * 6/1989 Street D12/339
 4,840,329 A 6/1989 Szuminski et al.
 4,848,701 A 7/1989 Belloso
 D308,043 S * 5/1990 Butler D12/331
 4,941,628 A 7/1990 Sakamoto et al.
 D311,720 S * 10/1990 Butler D12/331
 D312,068 S * 11/1990 Moller D12/319
 4,969,614 A 11/1990 Capuani
 5,016,837 A 5/1991 Willis
 D319,805 S * 9/1991 Wiegert D12/319
 5,062,588 A 11/1991 Garland
 5,071,088 A 12/1991 Betts
 5,074,759 A 12/1991 Cossairt
 D323,315 S * 1/1992 Haga D12/328
 5,078,339 A * 1/1992 Lapidot B64C 3/56
 244/49
 5,098,034 A 3/1992 Lendriet
 5,115,996 A * 5/1992 Moller B64C 29/0025
 239/265.19
 5,167,383 A 12/1992 Nozaki
 5,205,119 A 4/1993 Bulman
 5,214,914 A 6/1993 Billig et al.
 5,328,098 A 7/1994 Barcza et al.
 5,372,337 A 12/1994 Kress et al.
 5,398,499 A 3/1995 Urruela
 5,402,938 A 4/1995 Sweeney
 5,415,365 A * 5/1995 Ratliff B64C 35/00
 114/271
 5,503,352 A * 4/1996 Eger B64C 39/068
 244/13
 D371,105 S * 6/1996 Graham D12/319
 D381,952 S * 8/1997 Carter, Jr. D12/327
 D392,937 S * 3/1998 Brichard D12/319
 5,769,317 A 6/1998 Sokhey et al.
 5,799,874 A 9/1998 Eigenbrode et al.
 5,924,632 A 7/1999 Seiner et al.
 D414,740 S * 10/1999 Margaritoff D12/319
 5,992,140 A 11/1999 Hammond et al.
 5,992,792 A 11/1999 Amason
 5,996,936 A 12/1999 Mueller
 6,003,301 A 12/1999 Bratkovich et al.
 D418,805 S * 1/2000 Cycon 244/12.3
 6,082,635 A 7/2000 Seiner et al.
 6,105,901 A 8/2000 Ulanoski et al.
 D431,522 S * 10/2000 Fujino D12/337
 D442,540 S * 5/2001 Cellini D12/308
 D446,182 S * 8/2001 Adam, Jr. D12/319
 6,295,805 B1 10/2001 Lackey et al.
 6,318,668 B1 11/2001 Ulanoski et al.
 6,336,319 B1 1/2002 Koshoffer
 6,382,559 B1 5/2002 Sutterfield et al.
 D466,858 S * 12/2002 Carroll D12/337
 D467,533 S * 12/2002 Han D12/319
 D486,776 S * 2/2004 Carr D12/319
 6,751,944 B2 6/2004 Lair
 D500,729 S * 1/2005 Wilding D12/319
 D500,981 S * 1/2005 Wilding D12/319
 6,866,503 B2 3/2005 Ladharam
 6,877,960 B1 4/2005 Presz, Jr. et al.
 6,880,784 B1 4/2005 Wilkinson et al.
 6,926,229 B2 8/2005 Cummings et al.
 6,983,587 B2 1/2006 Shumate
 7,032,835 B2 4/2006 Murphy et al.
 7,128,082 B1 10/2006 Cerretelli et al.
 D543,248 S * 5/2007 Winston D21/450
 7,290,738 B1 11/2007 Rogers et al.
 7,753,309 B2 7/2010 Garreau
 7,788,899 B2 9/2010 Smith
 D626,056 S 10/2010 Garreau
 7,823,838 B1 11/2010 Deñning et al.
 7,878,458 B2 2/2011 Shmilovich et al.
 7,878,798 B2 2/2011 Poe et al.

8,087,618 B1 1/2012 Shmilovich et al.
 D665,333 S 8/2012 Oliver
 8,240,125 B2 8/2012 Kawai
 8,251,306 B2 8/2012 Dacre
 8,302,903 B2 11/2012 Morgan et al.
 8,529,247 B2 9/2013 Poe et al.
 8,657,053 B2 2/2014 Novikov-Kopp
 8,690,098 B2 4/2014 Todorovic
 8,769,959 B2 7/2014 Baker et al.
 8,844,264 B2 9/2014 Khalid
 8,910,482 B2 12/2014 Parham
 D724,001 S 3/2015 Garreau
 D738,438 S * 9/2015 Cummings D21/447
 9,120,560 B1 * 9/2015 Armer B64C 29/0008
 D743,868 S * 11/2015 Cummings D12/328
 D763,733 S * 8/2016 Gattelli D12/16.1
 9,499,266 B1 11/2016 Garreau
 9,714,082 B2 7/2017 Shmilovich et al.
 9,783,288 B1 * 10/2017 Moore B64C 27/322
 D810,621 S * 2/2018 Sadek D12/16.1
 9,932,118 B2 * 4/2018 Bak B64D 27/24
 10,124,890 B2 * 11/2018 Sada-Salinas B64C 29/0025
 10,183,744 B2 * 1/2019 Gamble B64C 29/0025
 D843,306 S * 3/2019 Tzarnotzky D12/329
 D843,889 S * 3/2019 Merrill D12/16.1
 D843,919 S * 3/2019 Tzarnotzky D12/329
 2004/0036185 A1 2/2004 Garcia
 2006/0000943 A1 1/2006 Ouellette et al.
 2006/0027679 A1 2/2006 Gratteau
 2006/0151633 A1 7/2006 Presz, Jr. et al.
 2008/0315042 A1 12/2008 Evulet et al.
 2009/0108141 A1 4/2009 Shmilovich et al.
 2009/0120066 A1 5/2009 VanderGriend et al.
 2009/0158705 A1 6/2009 Grossi
 2009/0165755 A1 7/2009 Shieh et al.
 2009/0212166 A1 8/2009 Garreau
 2009/0214338 A1 8/2009 Werle et al.
 2010/0019079 A1 1/2010 Evulet et al.
 2010/0162679 A1 7/2010 Khalid
 2010/0181433 A1 7/2010 Catino
 2011/0215204 A1 9/2011 Evulet
 2012/0043413 A1 * 2/2012 Smith B64C 29/0033
 244/12.4
 2013/0087632 A1 4/2013 Germain
 2013/0336781 A1 12/2013 Rolt et al.
 2013/0343866 A1 12/2013 Christians
 2014/0053815 A1 2/2014 Sperry
 2014/0352276 A1 12/2014 Chen et al.
 2014/0373546 A1 12/2014 Ammon et al.
 2016/0375986 A1 12/2016 Shmilovich et al.
 2017/0060140 A1 3/2017 Harrison et al.
 2017/0072755 A1 * 3/2017 Zhou B64C 29/0075
 2017/0300067 A1 * 10/2017 Douglas B64C 29/0025
 2018/0305007 A1 * 10/2018 Evulet B64C 29/005

FOREIGN PATENT DOCUMENTS

CN 103419933 A 12/2013
 EP 0078245 A1 5/1983
 EP 0244336 A2 11/1987
 EP 0739291 B1 4/2001
 GB 1332026 A 10/1973
 GB 2318558 A 4/1998
 GB 2451347 A 1/2009
 JP 2016125421 A 7/2016
 WO 9620867 A1 7/1996
 WO 2005099380 A2 10/2005
 WO 2013037610 A1 3/2013
 WO 2014199351 A1 12/2014

OTHER PUBLICATIONS

International Search Report and Written Opinion for PCT/US2016/044326, dated Jun. 5, 2017, 19 pages.
 International Search Report and Written Opinion for PCT/US2016/044327, dated Jun. 5, 2017, 19 pages.
 International Search Report and Written Opinion for PCT/US2016/050236, dated Dec. 12, 2016, 7 pages.

(56)

References Cited

OTHER PUBLICATIONS

International Search Report and Written Opinion for PCT/US2017/
045784, dated Aug. 7, 2017, 9 pages.

International Search Report and Written Opinion for PCT/US2017/
042919, dated Oct. 2, 2017, 13 pages.

International Search Report and Written Opinion for PCT/US2017/
048479, dated Nov. 6, 2017, 13 pages.

* cited by examiner

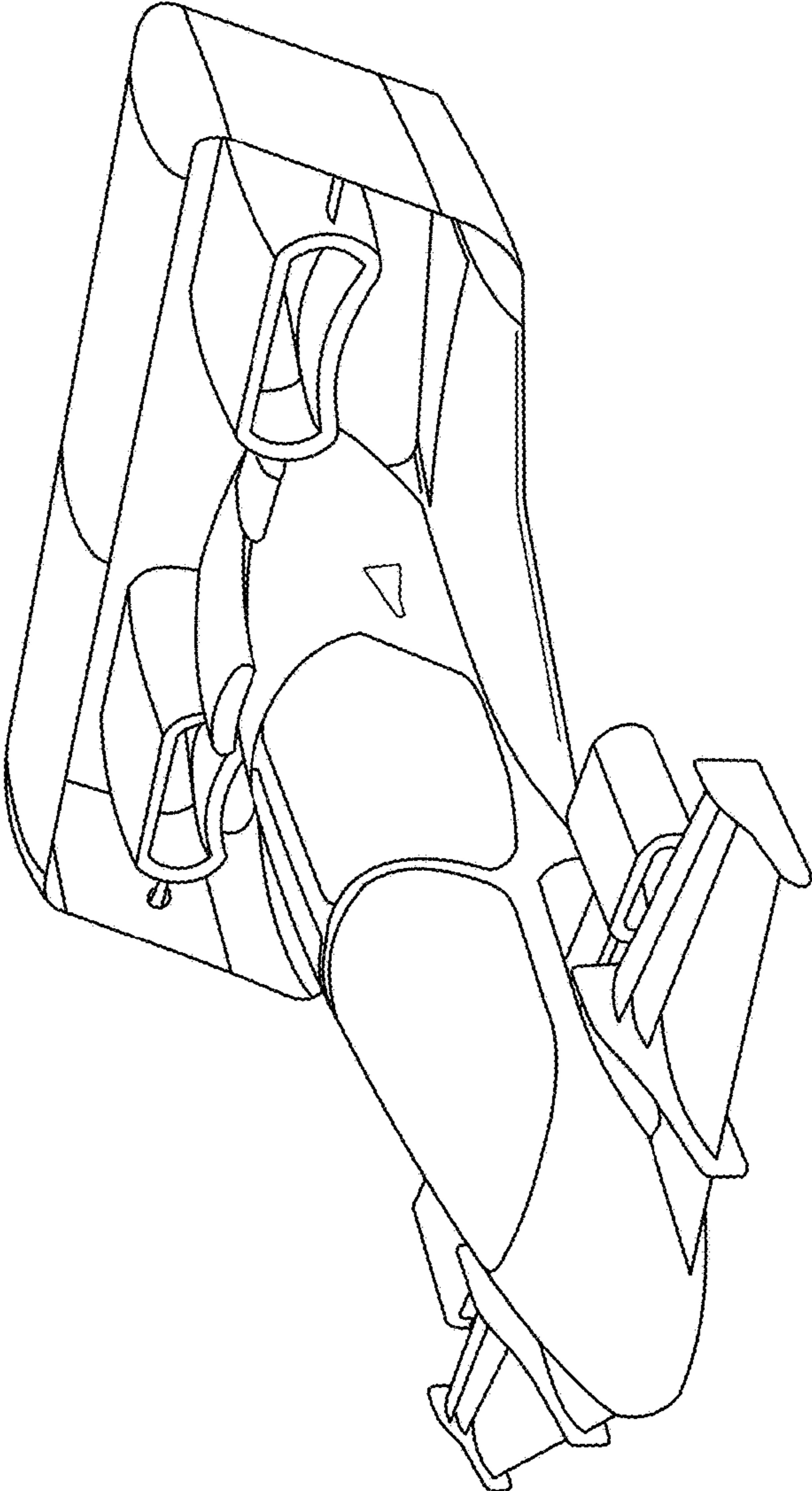


Fig. 1

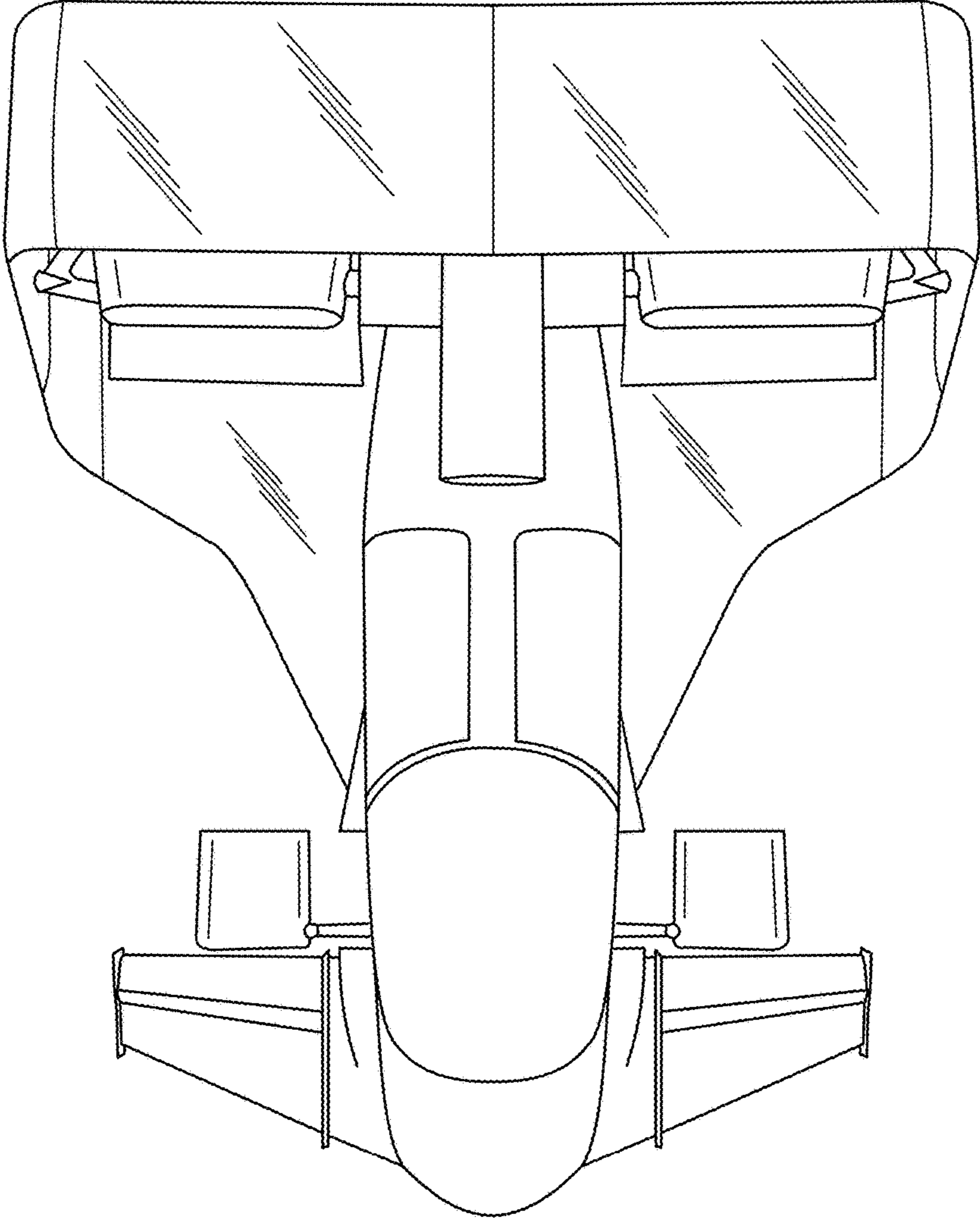


Fig. 2

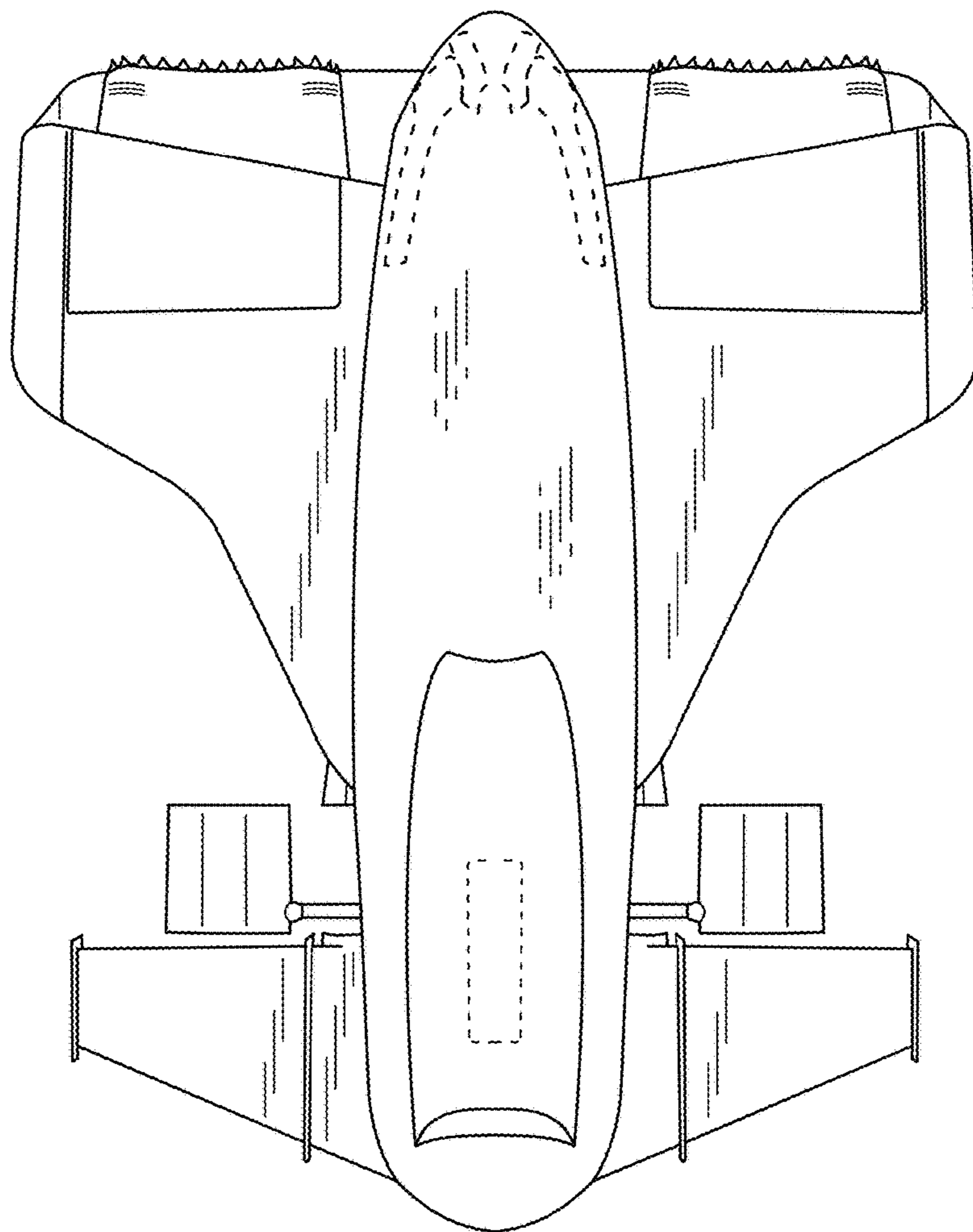


Fig. 3

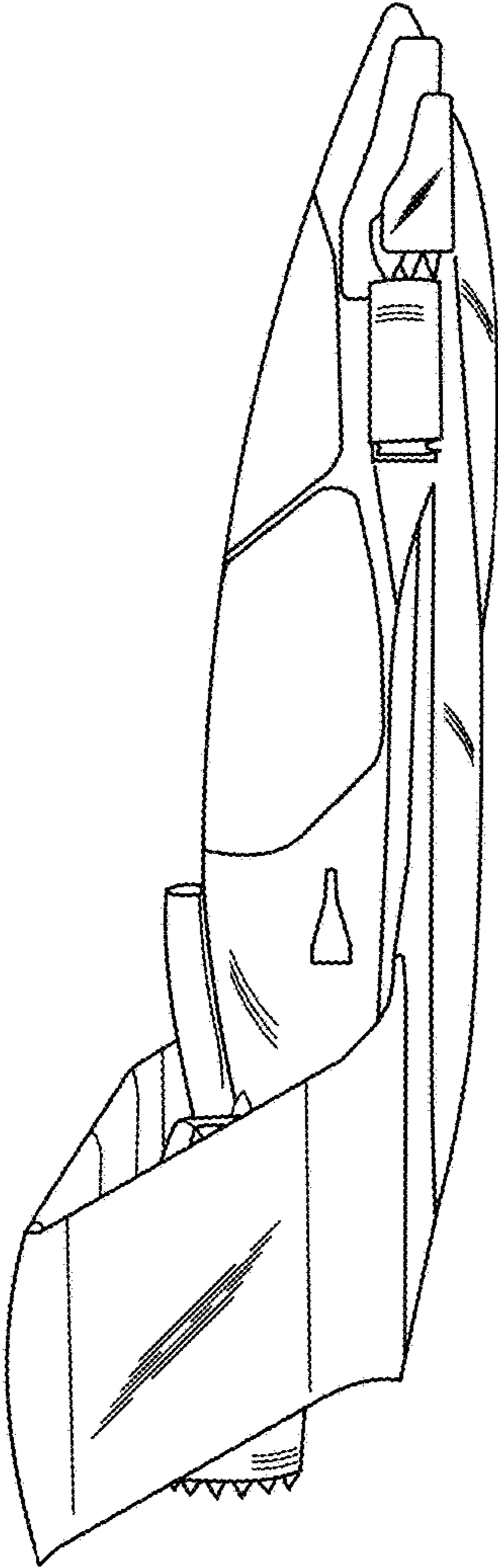


Fig. 4

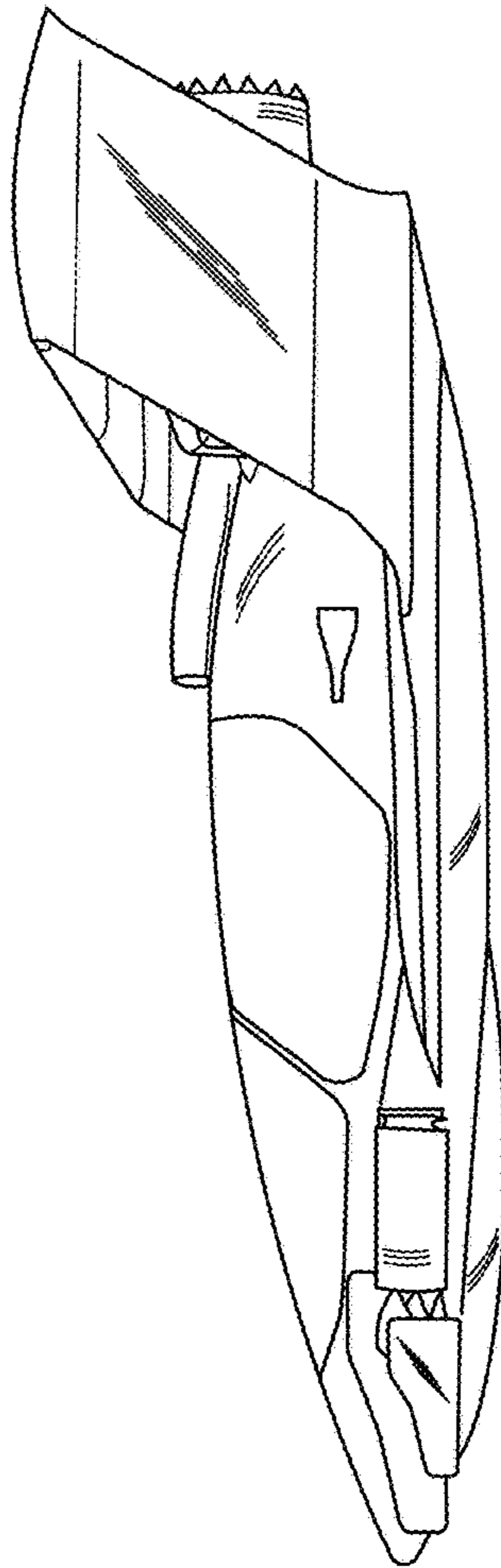


Fig. 5

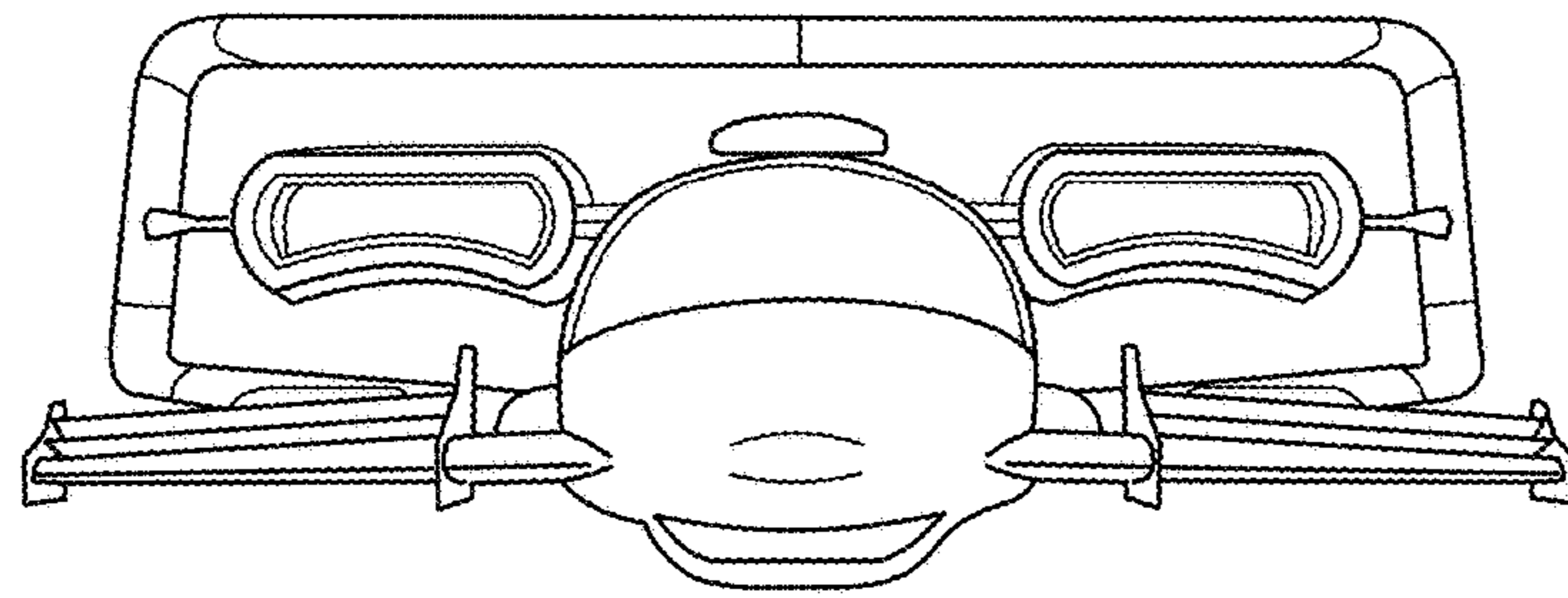


Fig. 6

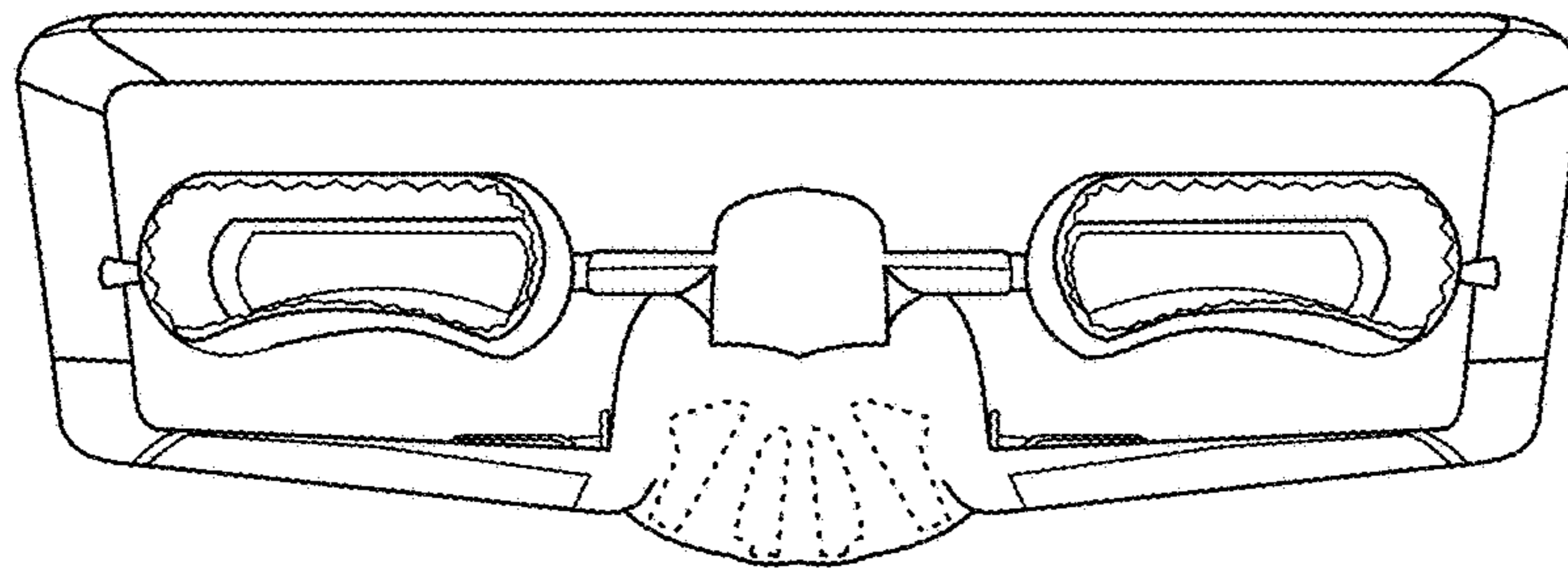


Fig. 7