



US00D868626S

(12) **United States Design Patent**  
**Paik et al.**

(10) **Patent No.:** **US D868,626 S**

(45) **Date of Patent:** **\*\* Dec. 3, 2019**

(54) **BUCKLE**

B60R 2022/1806; B60R 2022/1812;  
B60R 2022/281; B65D 63/16; A62B  
35/00

(71) Applicant: **WOOJIN PLASTIC CO., LTD.**,  
Gyeonggi-do (KR)

See application file for complete search history.

(72) Inventors: **Jisook Paik**, Seoul (KR); **Nan Hee Paik**, Seoul (KR); **Ji Hye Paik**, Seoul (KR); **Ji Won Son**, Seoul (KR)

(56)

**References Cited**

U.S. PATENT DOCUMENTS

(73) Assignee: **Woojin Plastic Co., LTD**, Guri si (KR)

D381,936 S *	8/1997	Anscher	.....	D11/216
D563,268 S *	3/2008	Buscart	.....	D11/216
D646,999 S *	10/2011	Kawaguchi	.....	D11/218
D649,086 S *	11/2011	Kaneko	.....	D11/216
D685,292 S *	7/2013	Kataguchi	.....	D11/216
D701,139 S *	3/2014	Kadoishi	.....	D11/216
D715,186 S *	10/2014	Kung	.....	D11/216
D734,209 S *	7/2015	Kadoishi	.....	D11/216
D739,301 S *	9/2015	Takazakura	.....	D11/216

(\*\*) Term: **15 Years**

(21) Appl. No.: **29/609,164**

(22) Filed: **Jun. 28, 2017**

(Continued)

(30) **Foreign Application Priority Data**

Jan. 10, 2017 (KR) ..... 30-2017-0001408

FOREIGN PATENT DOCUMENTS

(51) **LOC (12) Cl.** ..... **02-07**

CN RGN-304442126 \* 1/2018

(52) **U.S. Cl.**  
USPC ..... **D11/218**

*Primary Examiner* — Kevin K Rudzinski  
*Assistant Examiner* — Richard Kearney

(58) **Field of Classification Search**  
USPC ..... D2/624, 626, 627, 633, 639, 640, 853,  
D2/923; D3/24, 213, 215, 216, 230;  
D8/14, 331, 343, 349, 356, 358, 359, 360,  
D8/363, 366, 371, 382, 394, 395;  
D10/32, 38; D11/1, 2, 3, 12, 16, 86, 87,  
D11/93, 200, 201, 206–210, 212–218,  
D11/229–237; D12/195, 416;  
D29/100–101.5, 122, 129, 130; D30/139,  
D30/152, 153

CPC ..... A44B 11/00; A44B 11/02; A44B 11/04;  
A44B 11/05; A44B 11/06; A44B 11/10;  
A44B 11/14; A44B 11/18; A44B 11/22;  
A44B 11/25; A44B 11/26; A44B 11/125;  
A44B 11/223; A44B 11/001; A44B  
11/005; A44B 11/006; A44B 11/2503;  
A44B 11/2507; A44B 11/2526; A44B  
11/2553; A44B 11/2592; A41F 1/008;  
A41F 9/002; A41F 9/007; A41F 11/06;  
B60R 22/30; B60R 22/32; B60R 22/022;

(57)

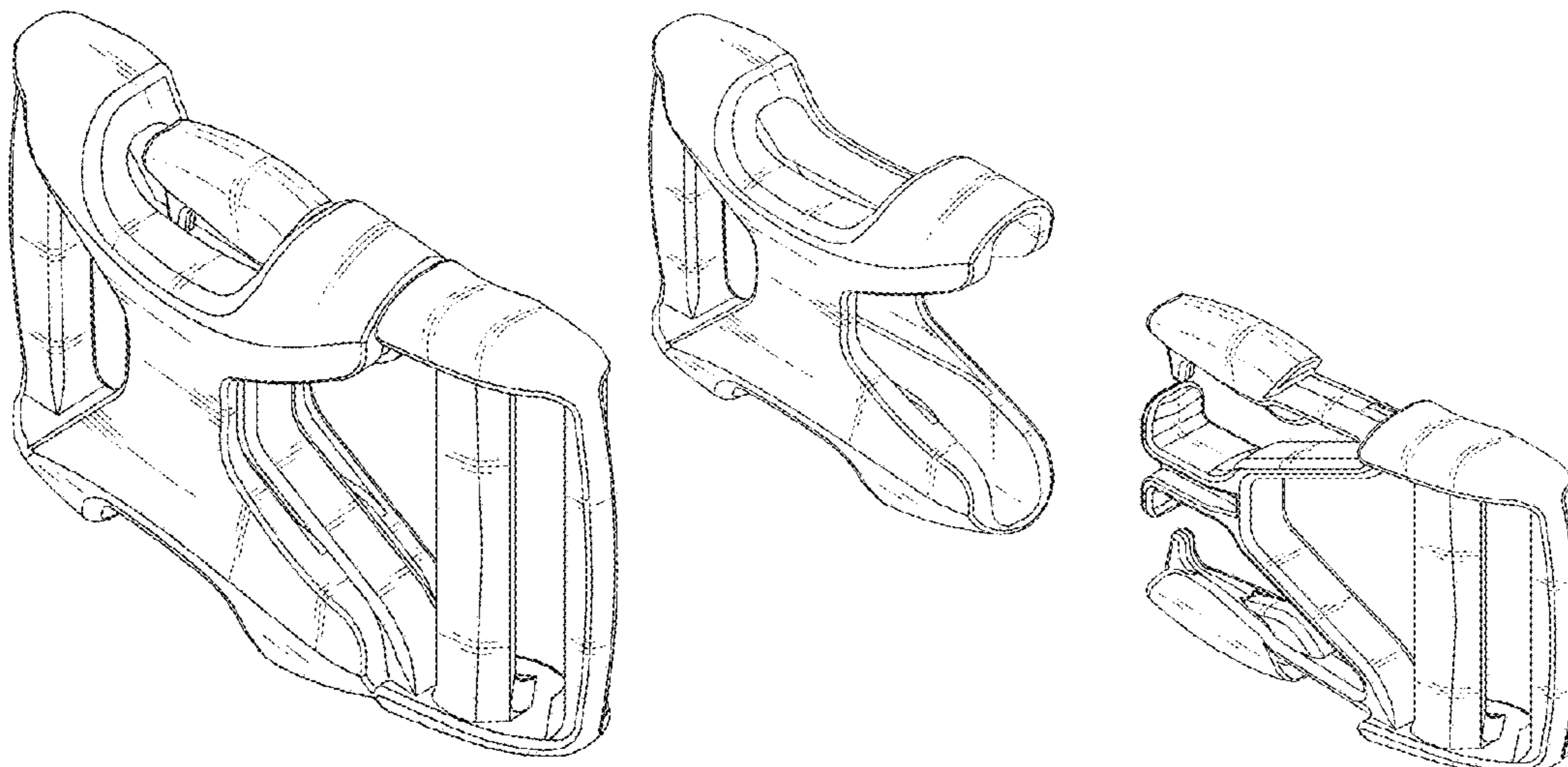
**CLAIM**

The ornamental design for a buckle, as shown and described.

**DESCRIPTION**

FIG. 1 is a perspective view of a buckle;  
FIG. 2 is a front view of the buckle of FIG. 1;  
FIG. 3 is a rear view of the buckle of FIG. 1;  
FIG. 4 is a left side view of the buckle of FIG. 1;  
FIG. 5 is a right side view of the buckle of FIG. 1;  
FIG. 6 is a top view of the buckle of FIG. 1;  
FIG. 7 is a bottom view of the buckle of FIG. 1;  
FIG. 8 is a cross-sectional view taken along lines 8-8 of FIG. 2; and,  
FIG. 9 is a perspective view showing the buckle in an open position.

**1 Claim, 9 Drawing Sheets**



(56)

**References Cited**

U.S. PATENT DOCUMENTS

D739,783 S	*	9/2015	Liu	.....	D11/216
D740,718 S	*	10/2015	Liu	.....	D11/216
D813,088 S	*	3/2018	Paik	.....	D11/216
D824,284 S	*	7/2018	Mojica	.....	D11/216

\* cited by examiner

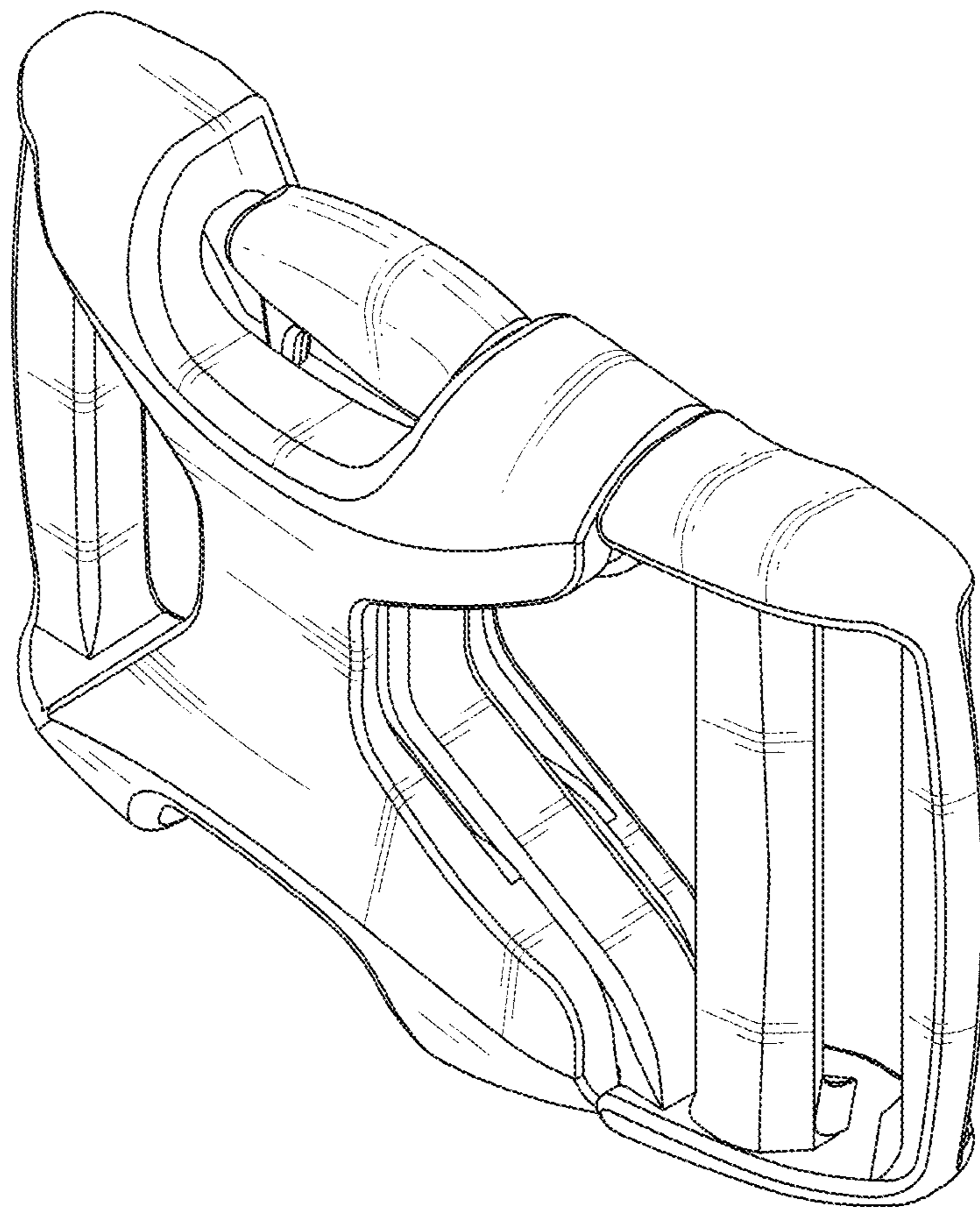


Fig. 1

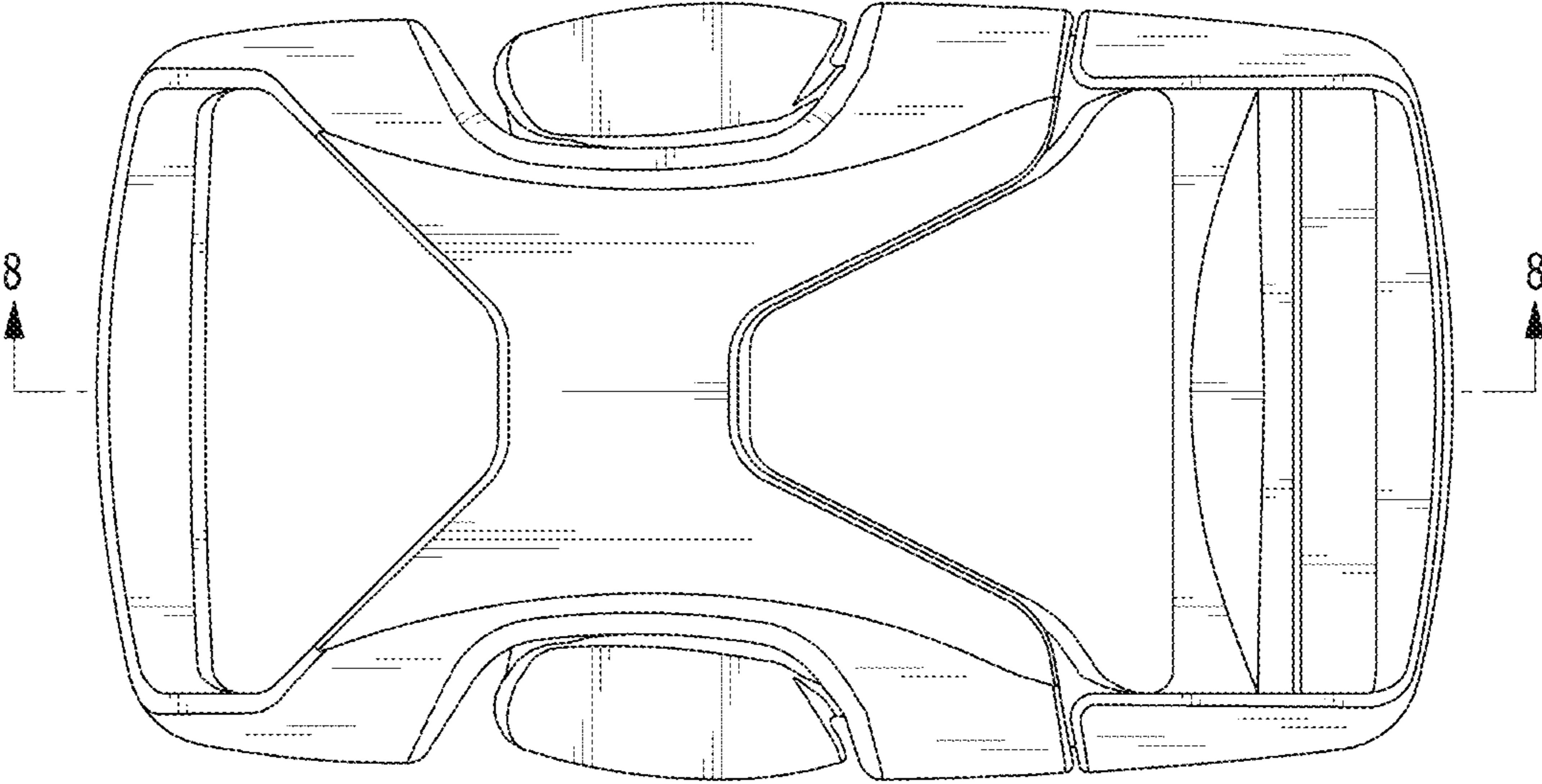


Fig.2



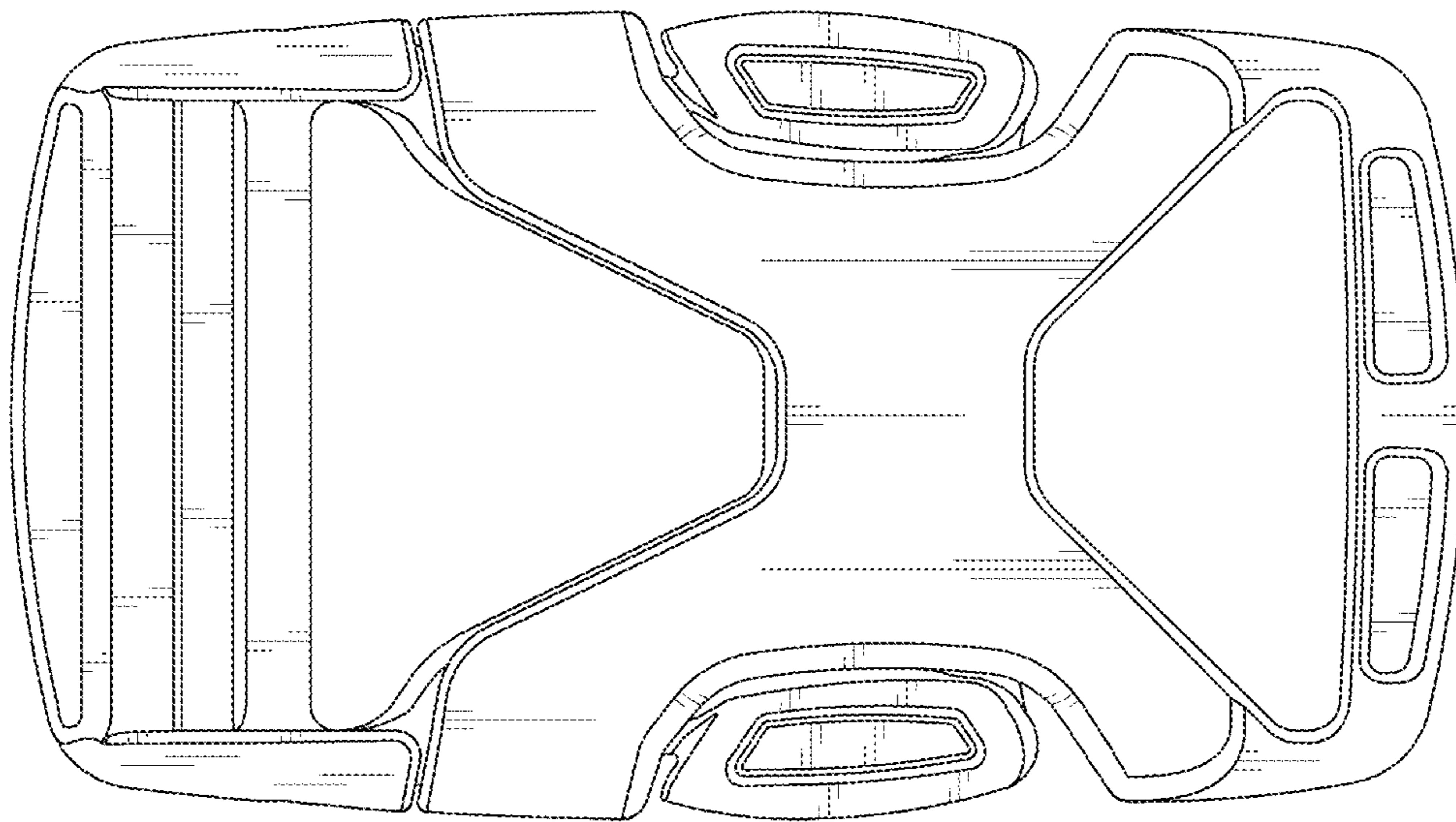


Fig.3

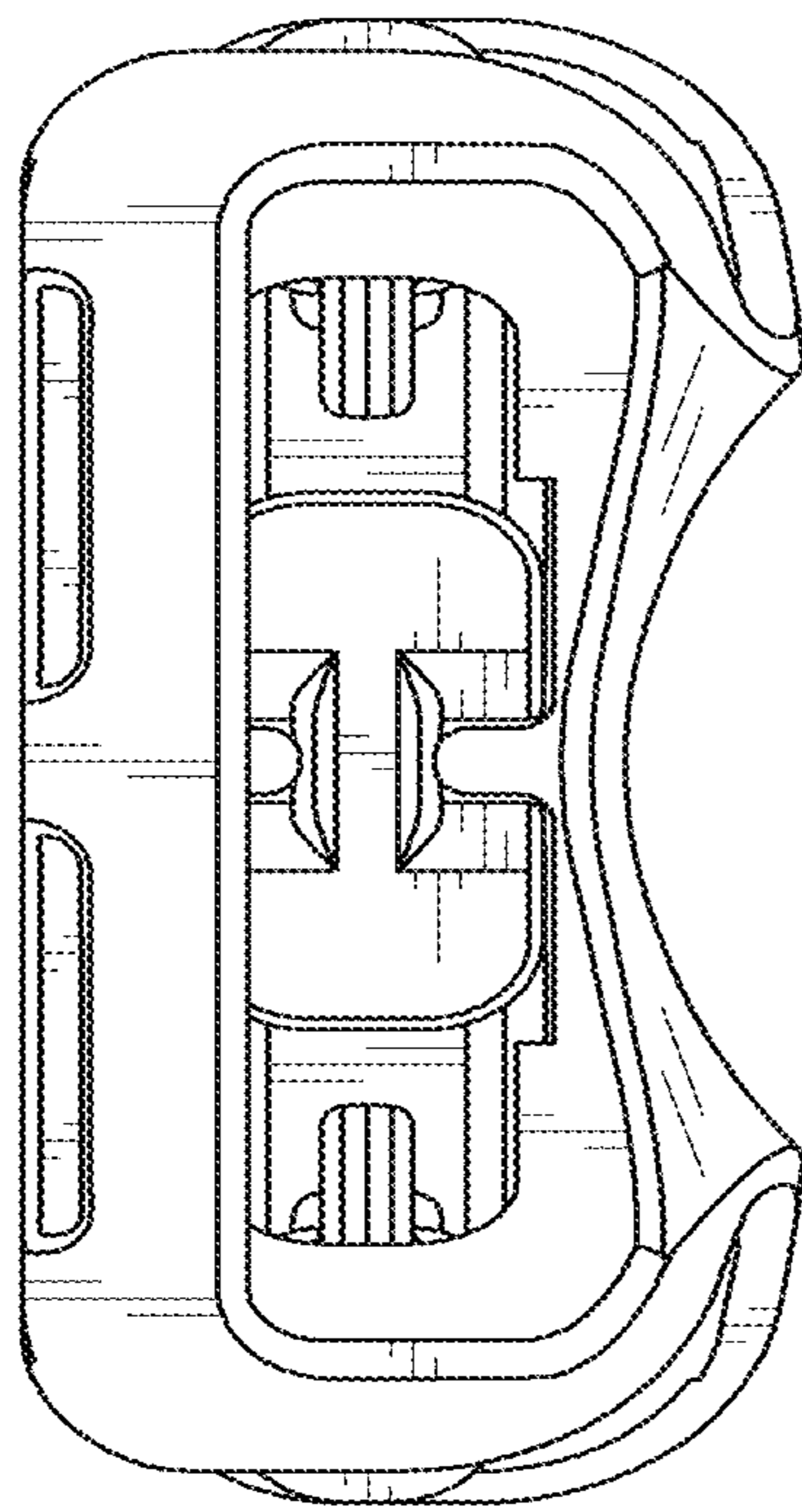


Fig.4

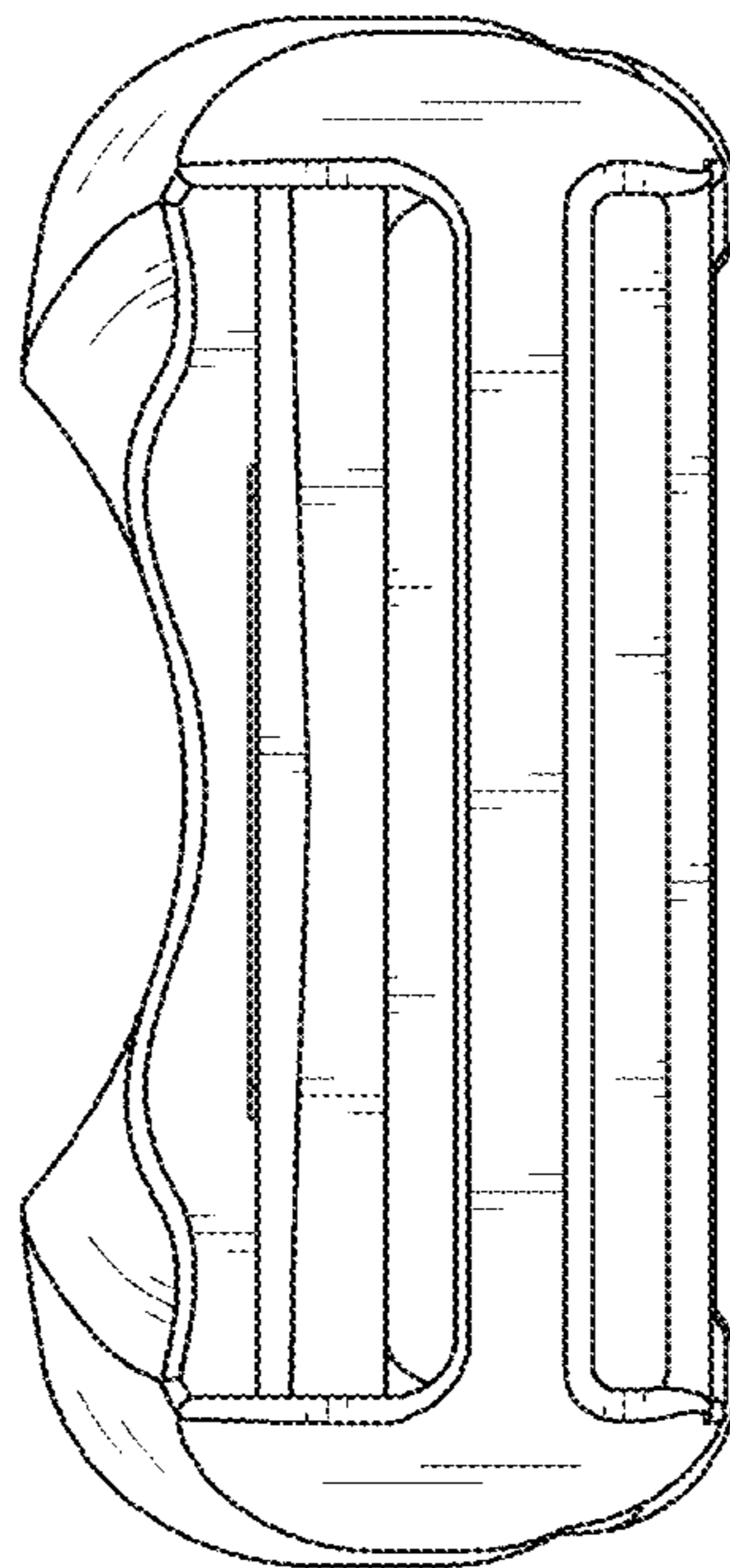


Fig.5

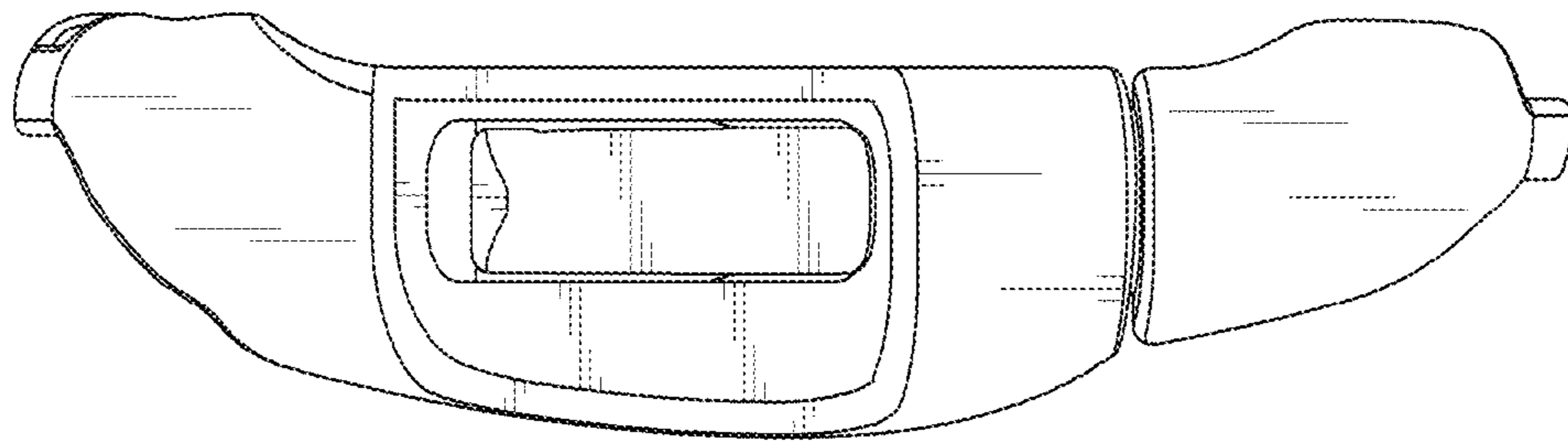


Fig.6



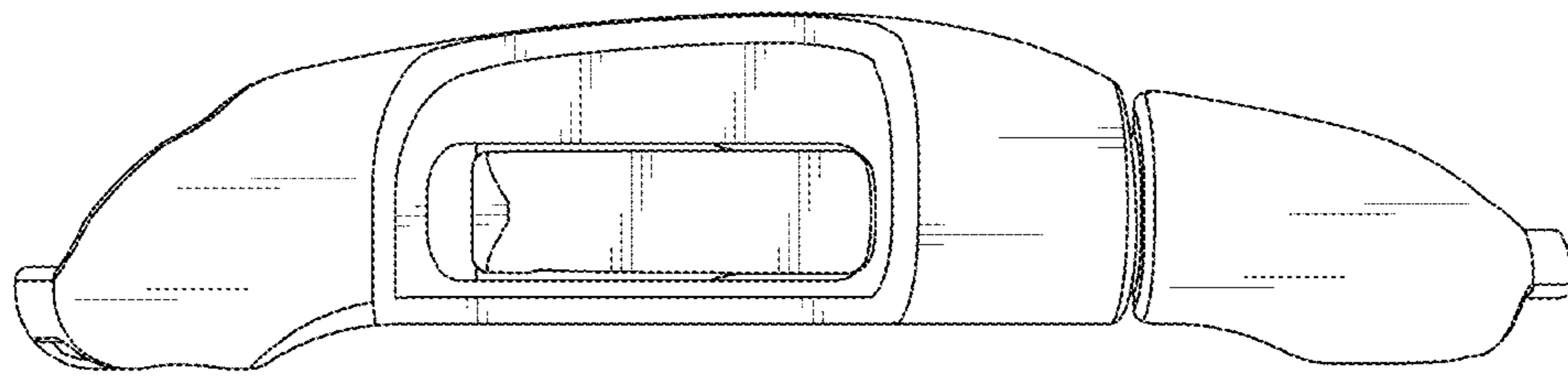


Fig.7

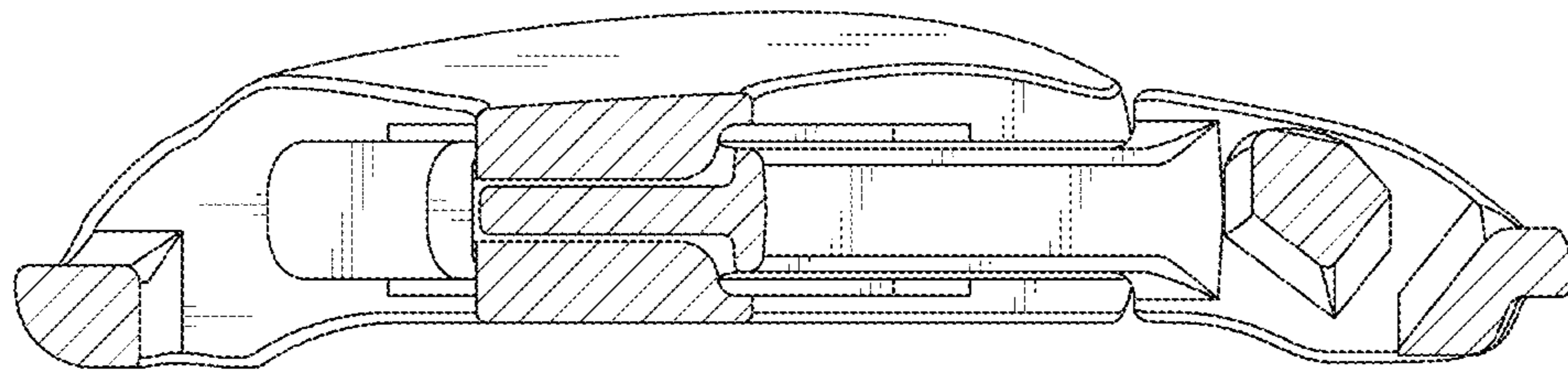


Fig.8

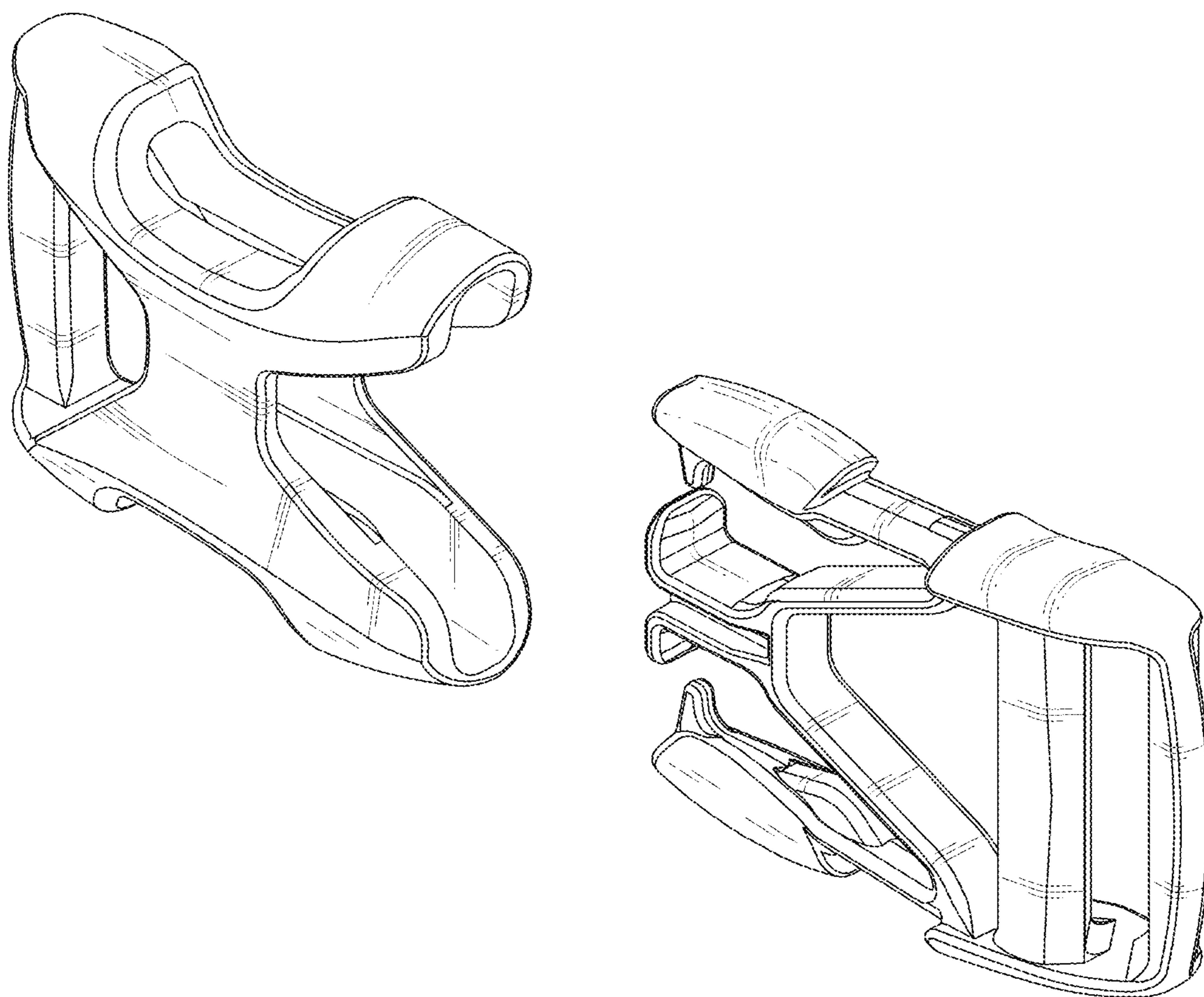


Fig.9