



US00D868625S

(12) **United States Design Patent**
Paik et al.

(10) **Patent No.:** **US D868,625 S**
(45) **Date of Patent:** **** Dec. 3, 2019**

- (54) **BUCKLE**
- (71) Applicant: **WOJIN PLASTIC CO., LTD.**,
Gyeonggi-do (KR)
- (72) Inventors: **Jisook Paik**, Seoul (KR); **Nan Hee Paik**, Seoul (KR); **Ji Hye Paik**, Seoul (KR); **Ji Won Son**, Seoul (KR)
- (73) Assignee: **Woojin Plastic Co., LTD**, Guri si (KR)
- (**) Term: **15 Years**
- (21) Appl. No.: **29/609,150**
- (22) Filed: **Jun. 28, 2017**
- (51) **LOC (12) Cl.** **02-07**
- (52) **U.S. Cl.**
USPC **D11/218**
- (58) **Field of Classification Search**
USPC D2/624, 626, 627, 633, 639, 640, 853,
D2/923; D3/24, 213, 215, 216, 230;
D8/14, 331, 343, 349, 356, 358, 359, 360,
D8/363, 366, 371, 382, 394, 395;
D10/32, 38; D11/1, 2, 3, 12, 16, 86, 87,
D11/93, 200, 201, 206–210, 212–218,
D11/229–237; D12/195, 416;
D29/100–101.5, 122, 129, 130; D30/139,
D30/152, 153
CPC A44B 11/00; A44B 11/02; A44B 11/04;
A44B 11/05; A44B 11/06; A44B 11/10;
A44B 11/14; A44B 11/18; A44B 11/22;
A44B 11/25; A44B 11/26; A44B 11/125;
A44B 11/223; A44B 11/001; A44B
11/005; A44B 11/006; A44B 11/2503;
A44B 11/2507; A44B 11/2526; A44B
11/2553; A44B 11/2592; A41F 1/008;
A41F 9/002;

(Continued)

(56) **References Cited**

U.S. PATENT DOCUMENTS

- D385,826 S * 11/1997 Anscher D11/200
- D666,942 S * 9/2012 Iannello D11/210

(Continued)

FOREIGN PATENT DOCUMENTS

KR 300936318.0000 * 12/2017

OTHER PUBLICATIONS

Clip and Hoock Buckle (available online) Retrieved from the internet Jun. 27, 2019 from URL: http://www.wojinplastic.com/kr/product/view.php?idx=241&part1_idx=25&part_idx=87#tabContent03.*

Primary Examiner — Kevin K Rudzinski

Assistant Examiner — Richard Kearney

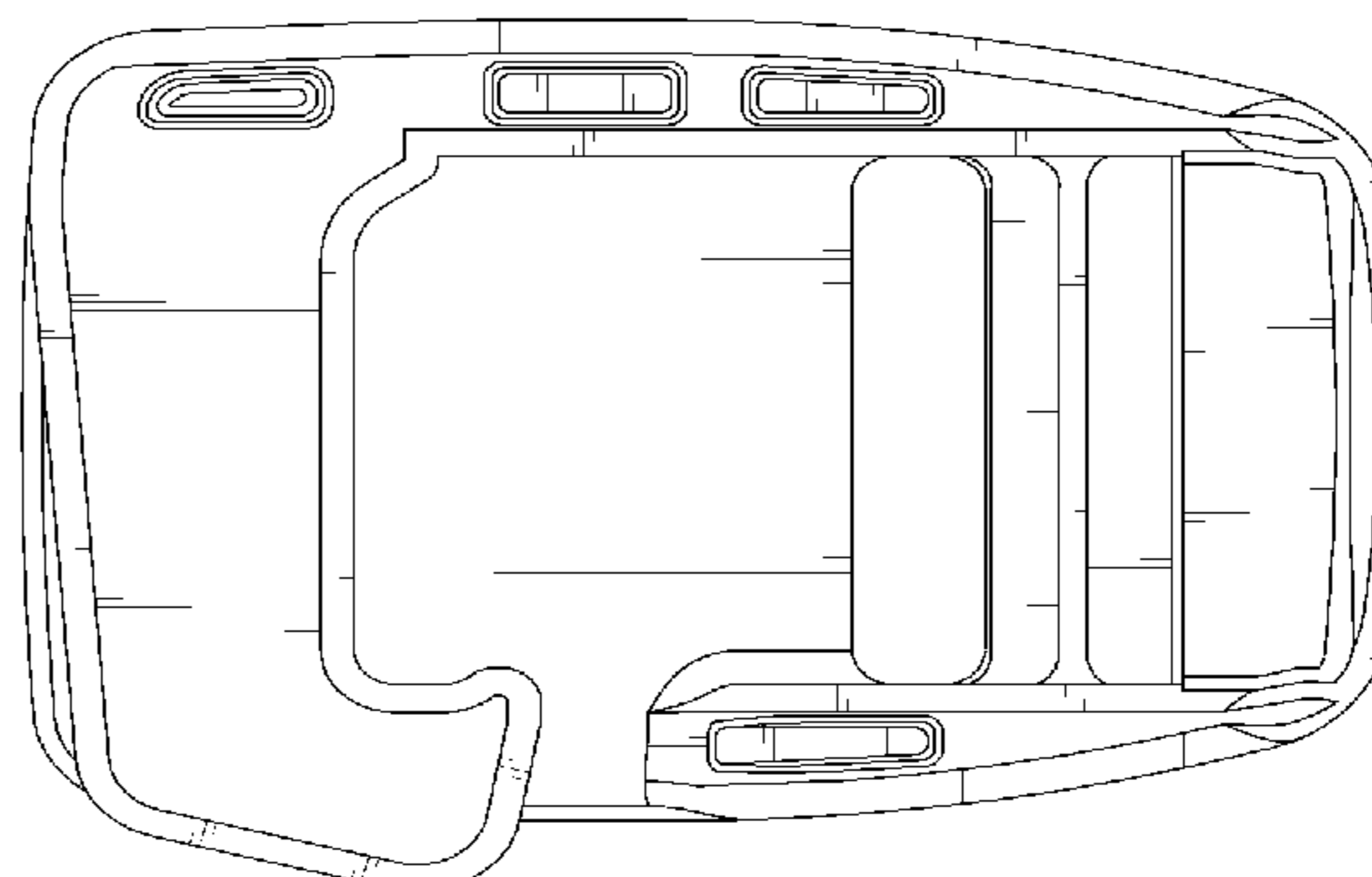
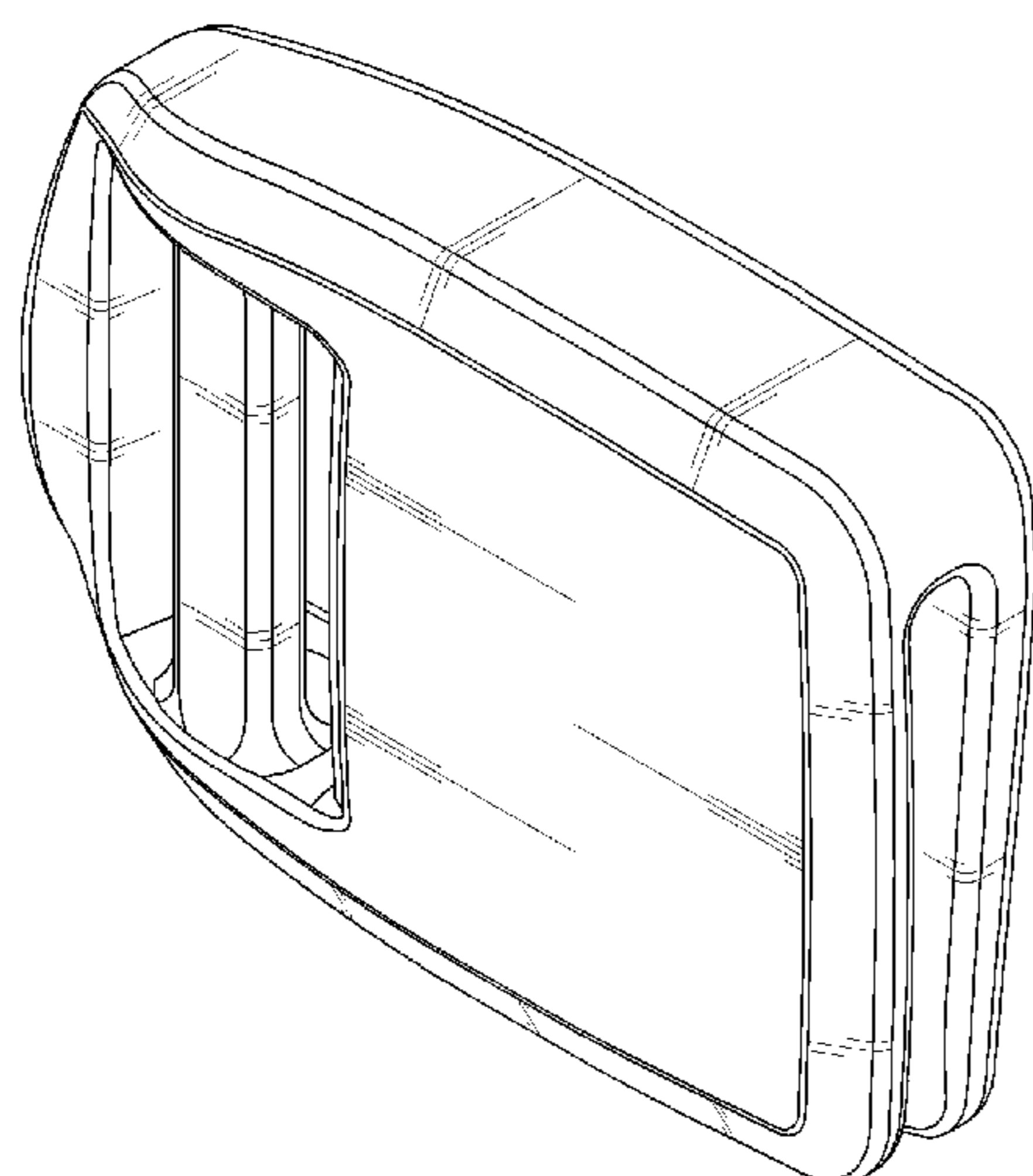
(57) **CLAIM**

The ornamental design for a buckle, as shown and described.

DESCRIPTION

FIG. 1 is a perspective view of a buckle showing my new design;
 FIG. 2 is a front view of the buckle of FIG. 1;
 FIG. 3 is a rear view of the buckle of FIG. 1;
 FIG. 4 is a left side view of the buckle of FIG. 1;
 FIG. 5 is a right side view of the buckle of FIG. 1;
 FIG. 6 is a top view of the buckle of FIG. 1;
 FIG. 7 is a bottom view of the buckle of FIG. 1;
 FIG. 8 is a cross-sectional view taken along line A-A of FIG. 2;
 FIG. 9 is a perspective view of the buckle of FIG. 1 shown with a connector buckle
 FIG. 10 is another perspective view of the buckle of FIG. 1 shown with a connector buckle in a condition of use; and,
 FIG. 11 is another perspective view of the buckle of FIG. 1 shown in a condition of use.
 The broken lines shown in the drawings illustrate environmental structure that forms no part of the claimed design. The circle demarcating the claimed design in FIG. 11 forms no part of the claimed design.

1 Claim, 11 Drawing Sheets



(58) **Field of Classification Search**

CPC A41F 9/007; A41F 11/06; B60R 22/30;
B60R 22/32; B60R 22/022; B60R
2022/1806; B60R 2022/1812; B60R
2022/281; B65D 63/16; A62B 35/00

See application file for complete search history.

(56) **References Cited**

U.S. PATENT DOCUMENTS

D686,525 S *	7/2013	Ishii	D11/216
D701,792 S *	4/2014	Kelleghan	D11/216
D702,593 S *	4/2014	Koreishi	D11/216
D714,682 S *	10/2014	Paik	D11/216
D742,786 S *	11/2015	Kung	D11/216
D752,480 S *	3/2016	Chan	D11/218
D778,778 S *	2/2017	Paik	D11/216
D845,168 S *	4/2019	Paik	D11/216

* cited by examiner

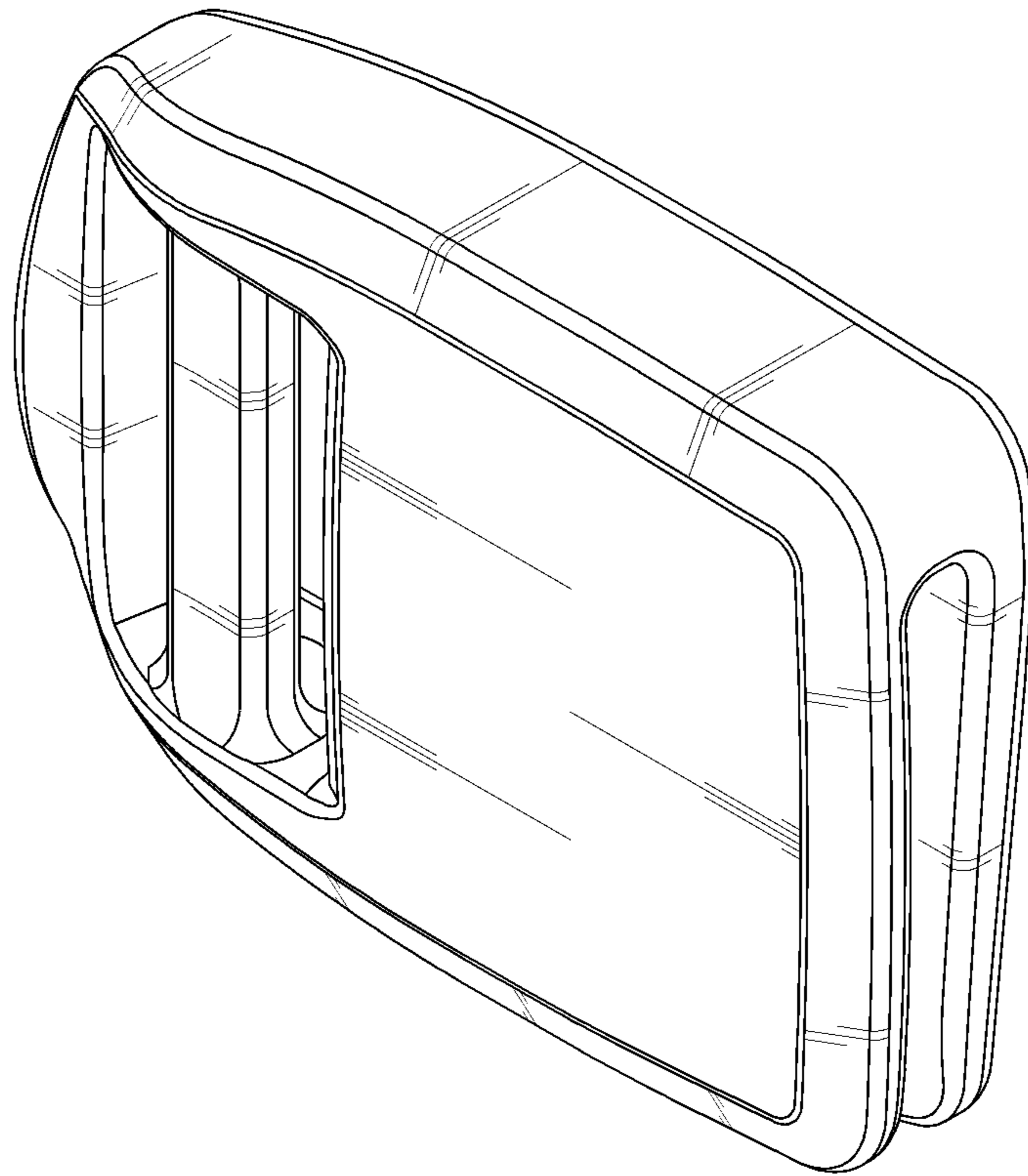


Fig.1

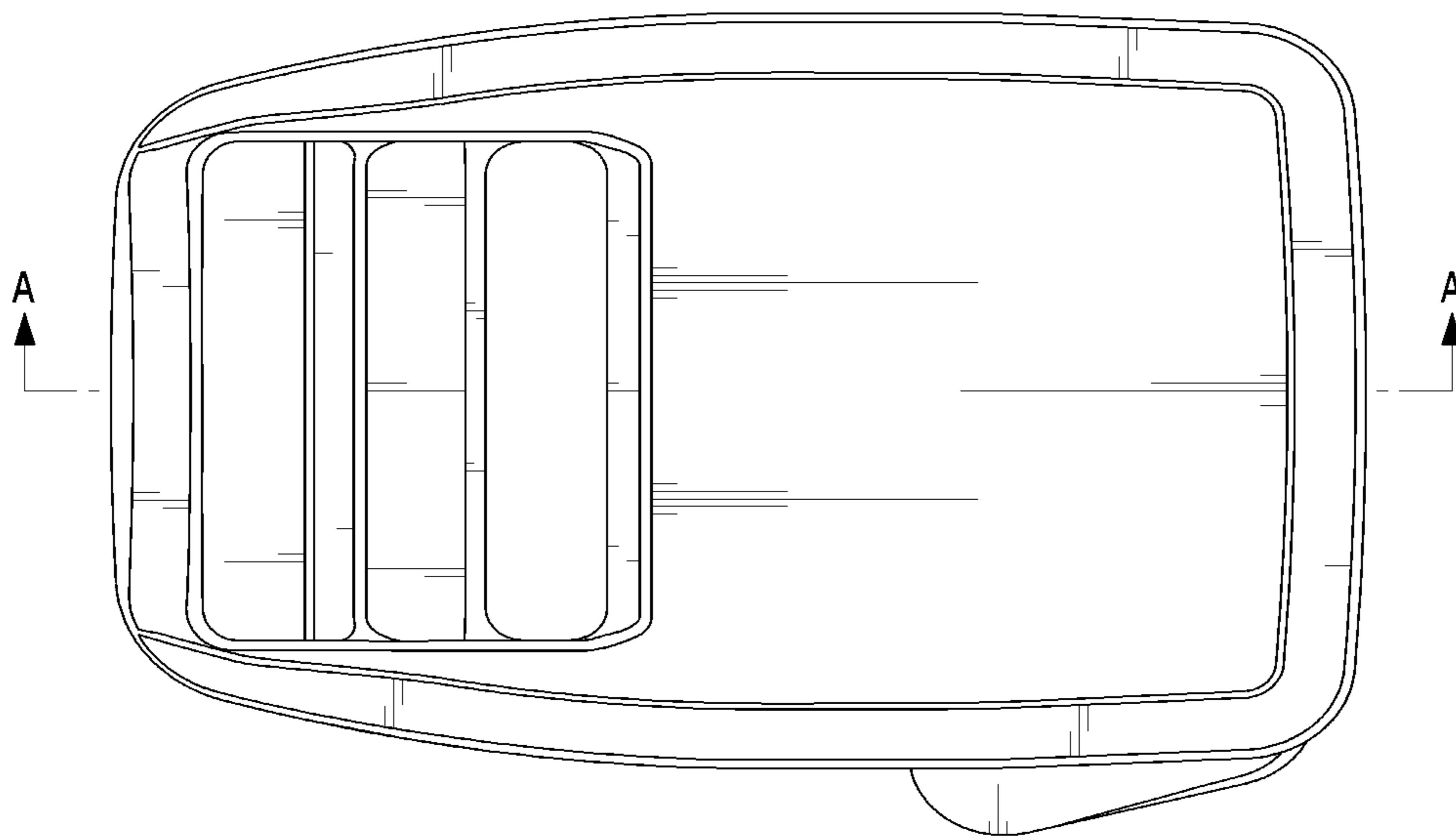


Fig.2

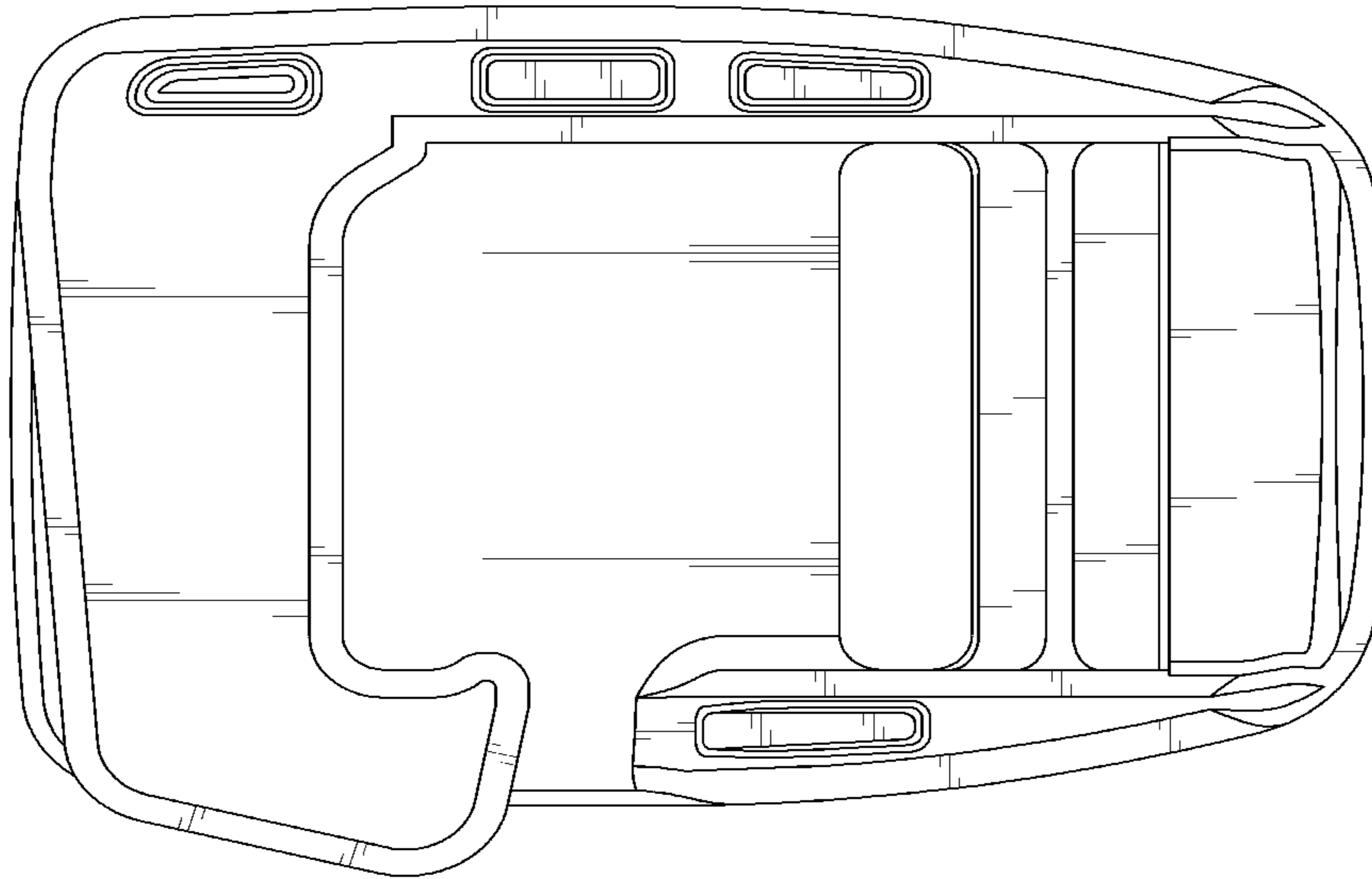


Fig.3

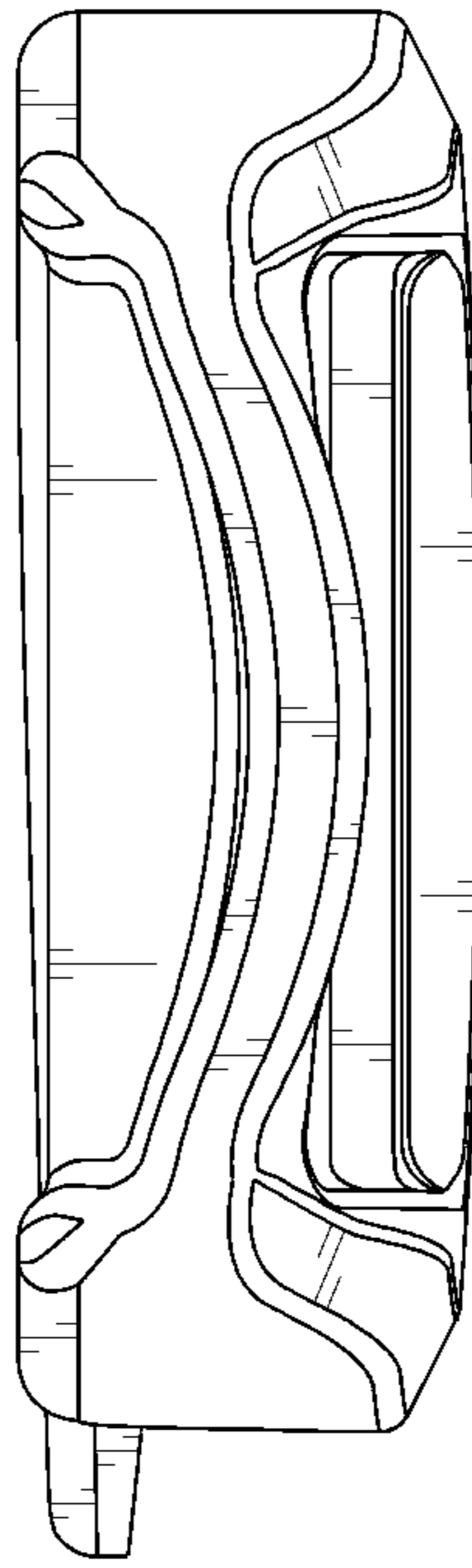


Fig.4

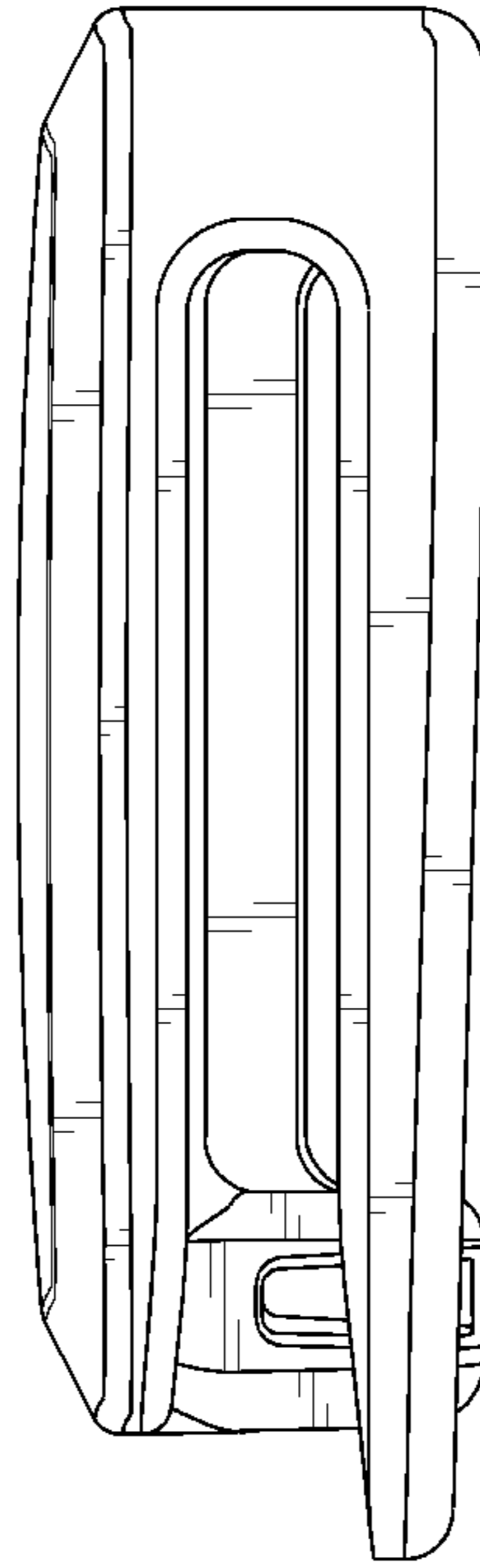


Fig.5

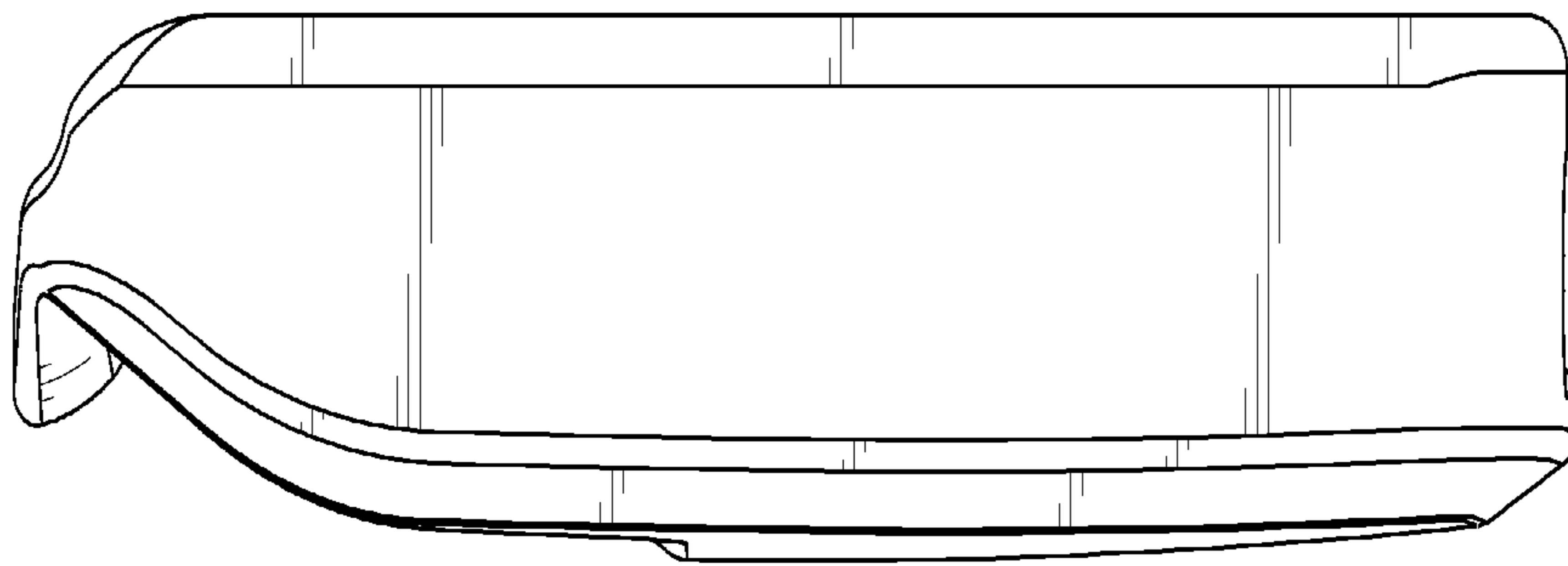


Fig.6

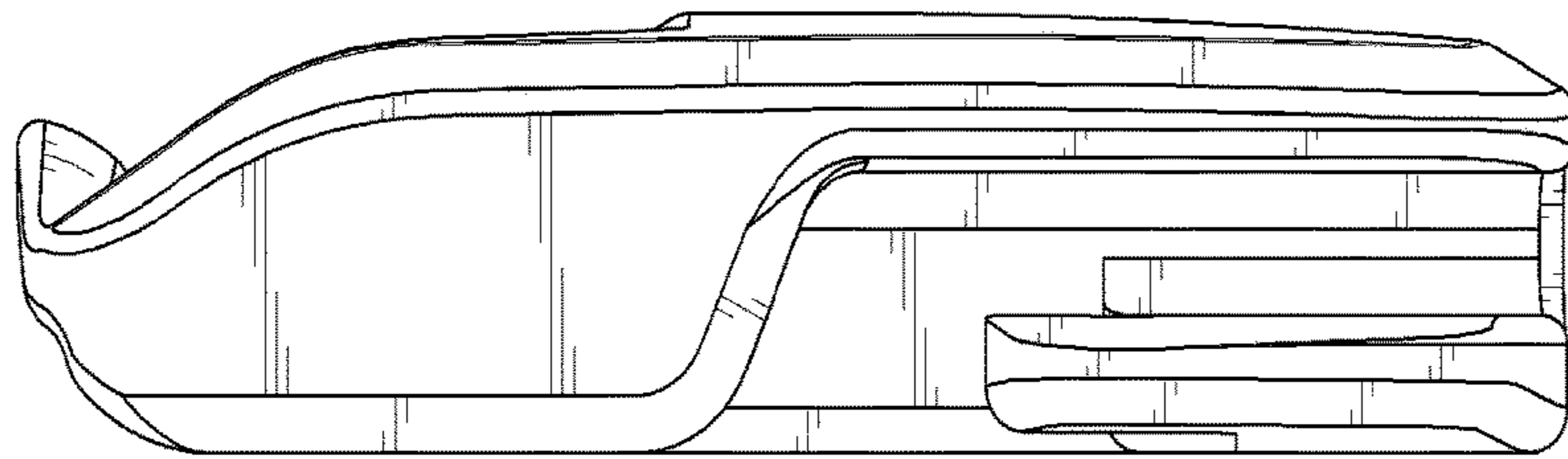


Fig.7

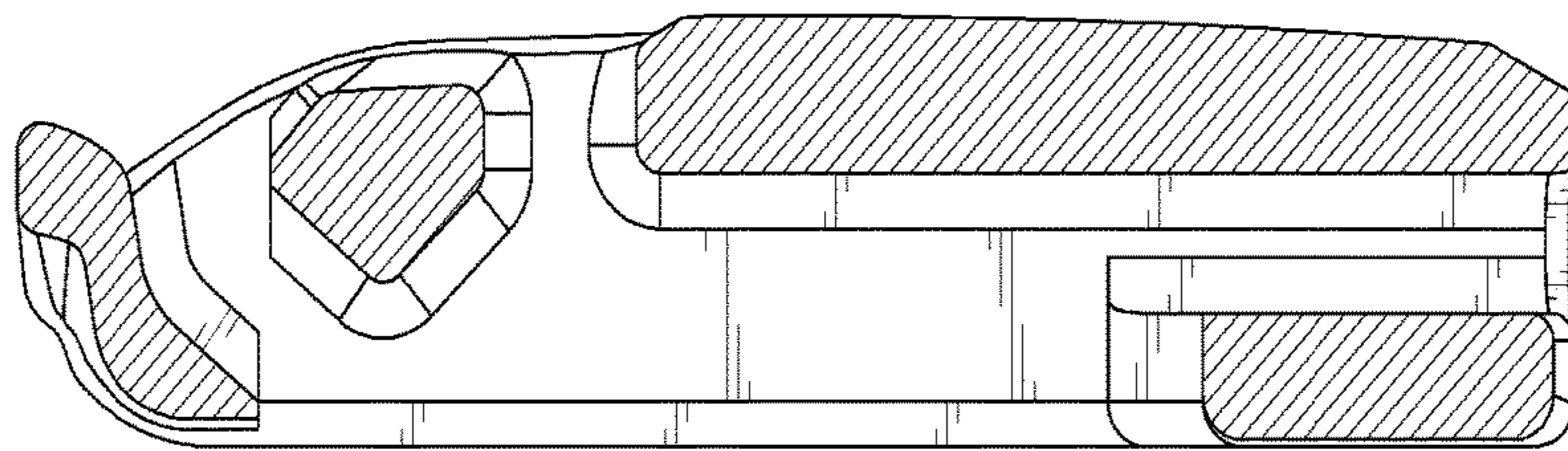


Fig.8

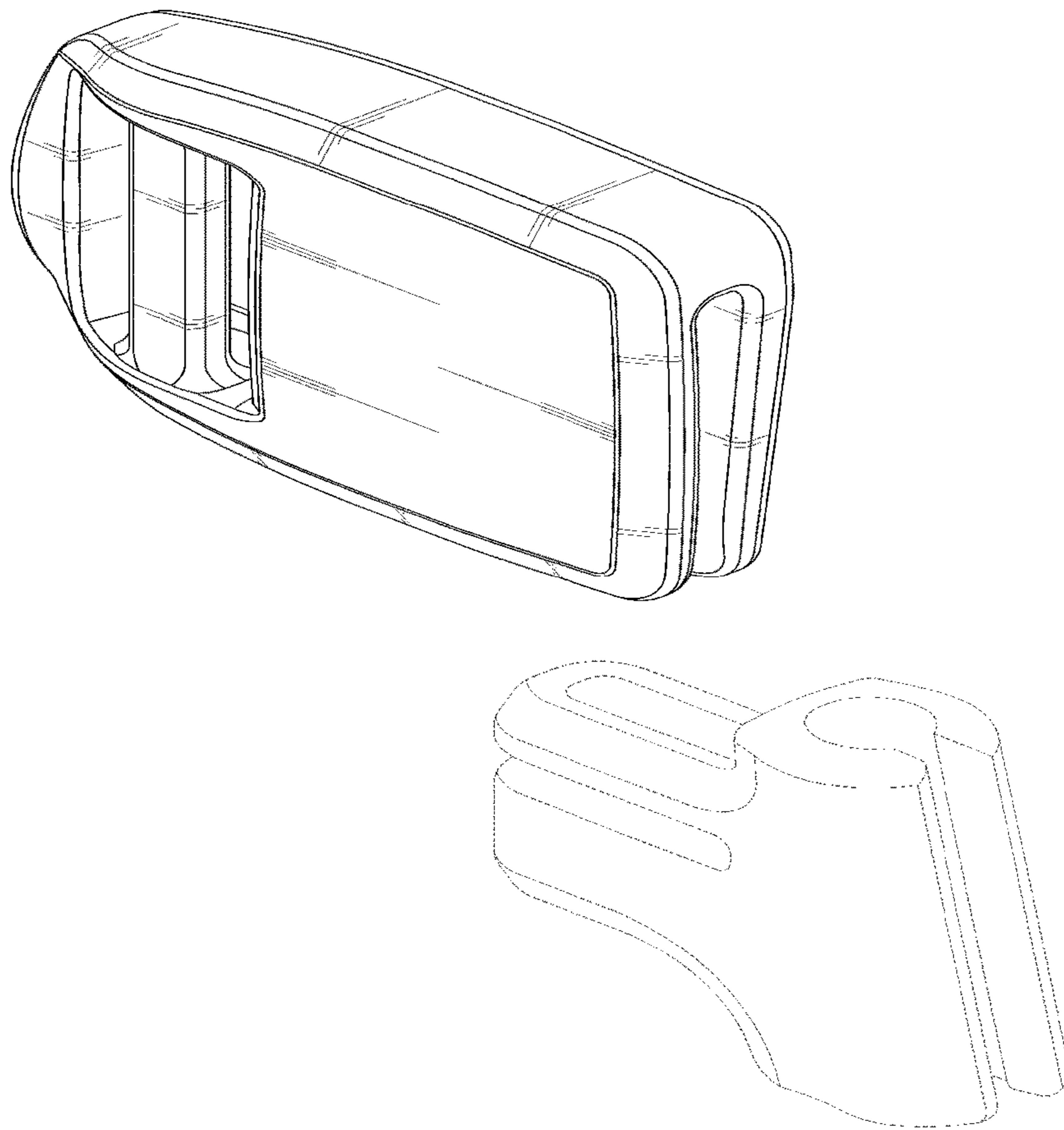


Fig.9

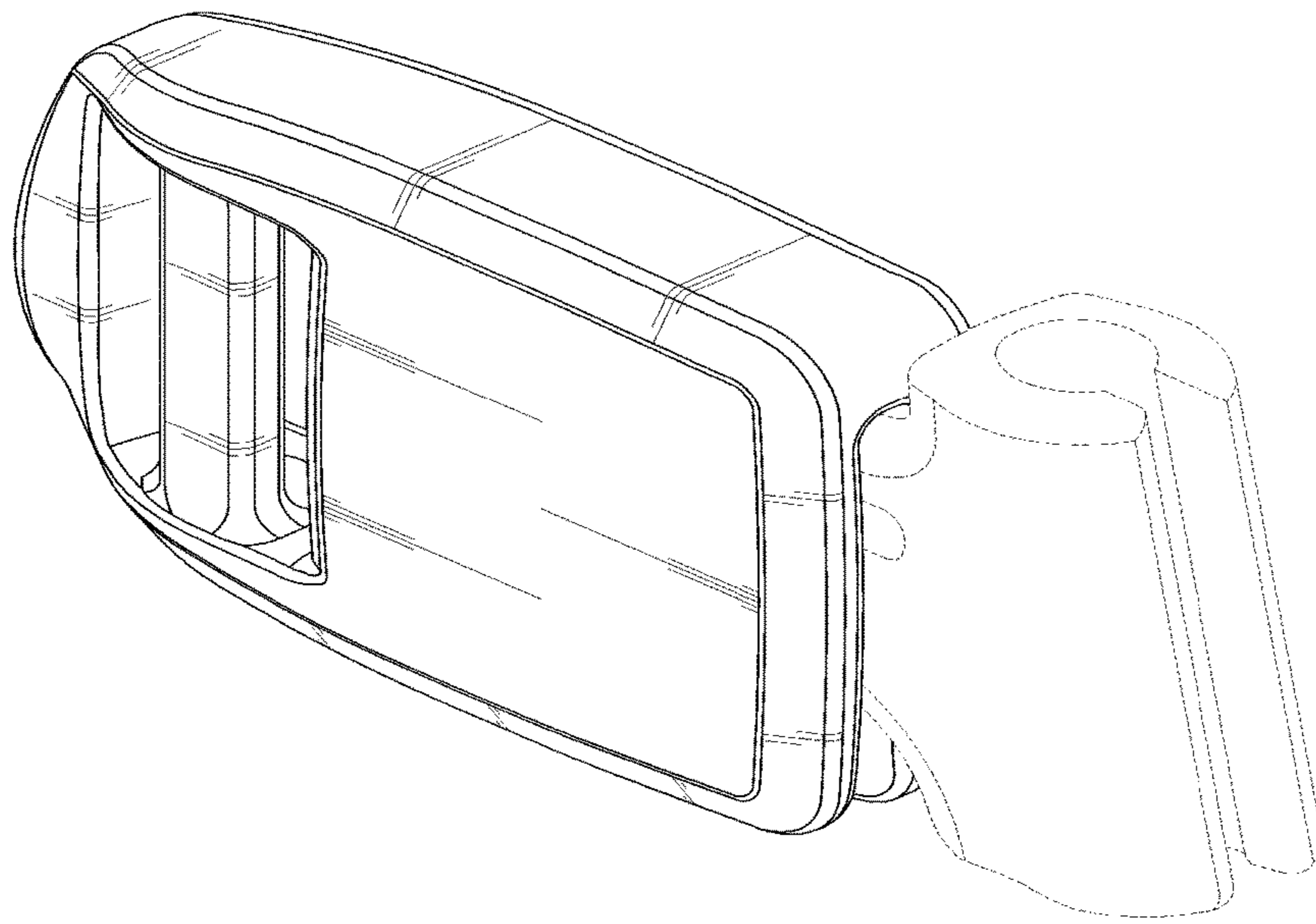


Fig.10

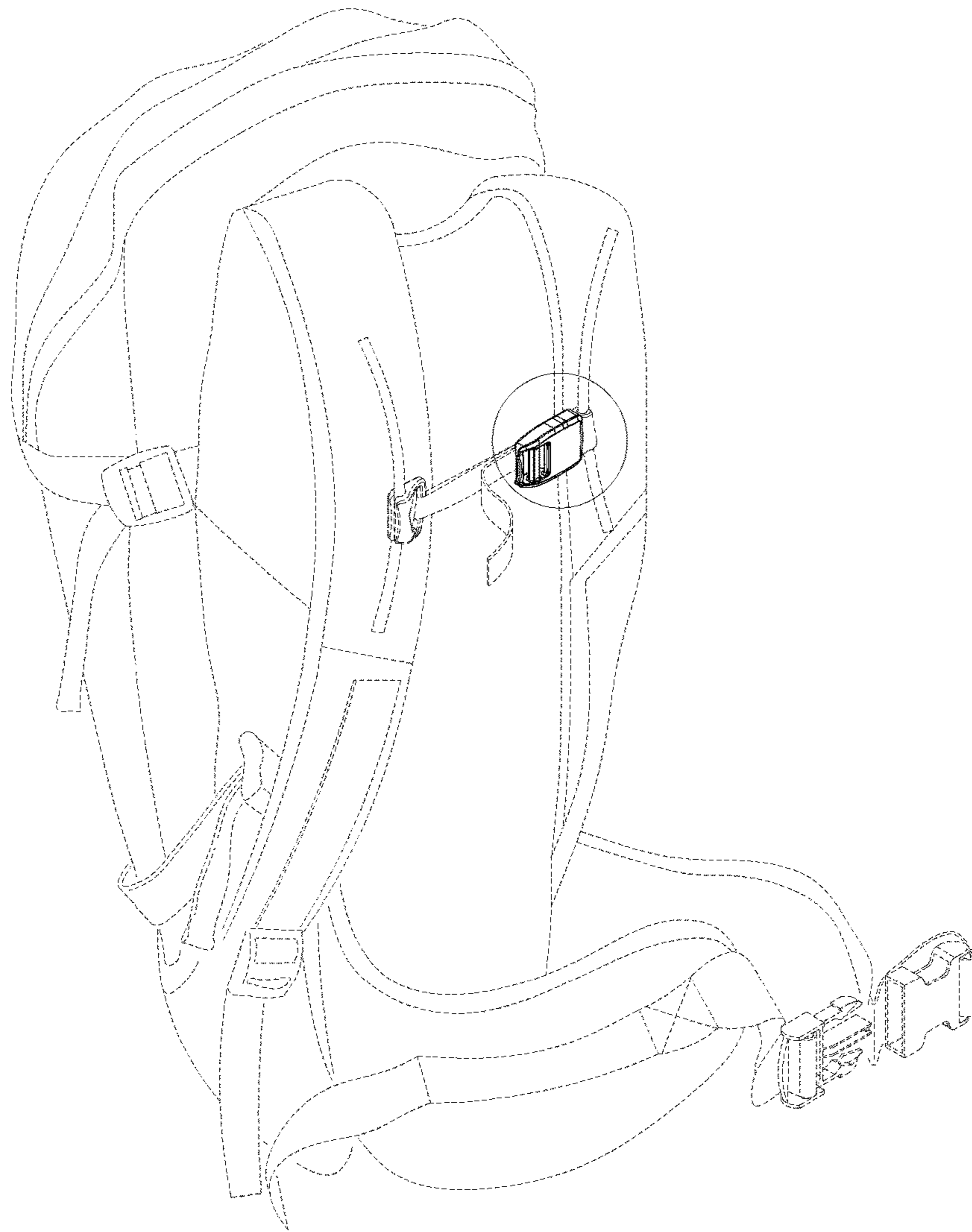


Fig.11