



US00D868624S

(12) **United States Design Patent** (10) **Patent No.:** **US D868,624 S**
Paik et al. (45) **Date of Patent:** **** Dec. 3, 2019**

(54) **BUCKLE**

(71) Applicant: **WOJIN PLASTIC CO., LTD.**,
Gyeonggi-do (KR)

(72) Inventors: **Jisook Paik**, Seoul (KR); **Nan Hee Paik**, Seoul (KR); **Ji Hye Paik**, Seoul (KR); **Ji Won Son**, Seoul (KR)

(73) Assignee: **Wojin Plastic Co., LTD**, Gurl-si (KR)

(**) Term: **15 Years**

(21) Appl. No.: **29/609,026**

(22) Filed: **Jun. 27, 2017**

(51) **LOC (12) Cl.** **02-07**

(52) **U.S. Cl.**
USPC **D11/218**

(58) **Field of Classification Search**
USPC D2/624, 626, 627, 633, 639, 640, 853,
D2/923; D3/24, 213, 215, 216, 230;
D8/14, 331, 343, 349, 356, 358, 359, 360,
D8/363, 366, 371, 382, 394, 395;
D10/32, 38; D11/1, 2, 3, 12, 16, 86, 87,
D11/93, 200, 201, 206–210, 212–218,
D11/229–237; D12/195, 416;
D29/100–101.5, 122, 129, 130; D30/139,
D30/152, 153
CPC A44B 11/00; A44B 11/02; A44B 11/04;
A44B 11/05; A44B 11/06; A44B 11/10;
A44B 11/14; A44B 11/18; A44B 11/22;
A44B 11/25; A44B 11/26; A44B 11/125;
A44B 11/223; A44B 11/001; A44B
11/005; A44B 11/006; A44B 11/2503;
A44B 11/2507; A44B 11/2526; A44B
11/2553; A44B 11/2592; A41F 1/008;
A41F 9/002; A41F 9/007; A41F 11/06;
B60R 22/30; B60R 22/32; B60R 22/022;
B60R 2022/1806; B60R 2022/1812;
B60R 2022/281; B65D 63/16; A62B
35/00

See application file for complete search history.

(56) **References Cited**

U.S. PATENT DOCUMENTS

2,119,469 A * 5/1938 Kerngood A44B 11/18
2/336
D244,174 S * 5/1977 Sankey D8/331
(Continued)

FOREIGN PATENT DOCUMENTS

CN RGN-304442127 * 1/2018

Primary Examiner — Kevin K Rudzinski

Assistant Examiner — Richard Kearney

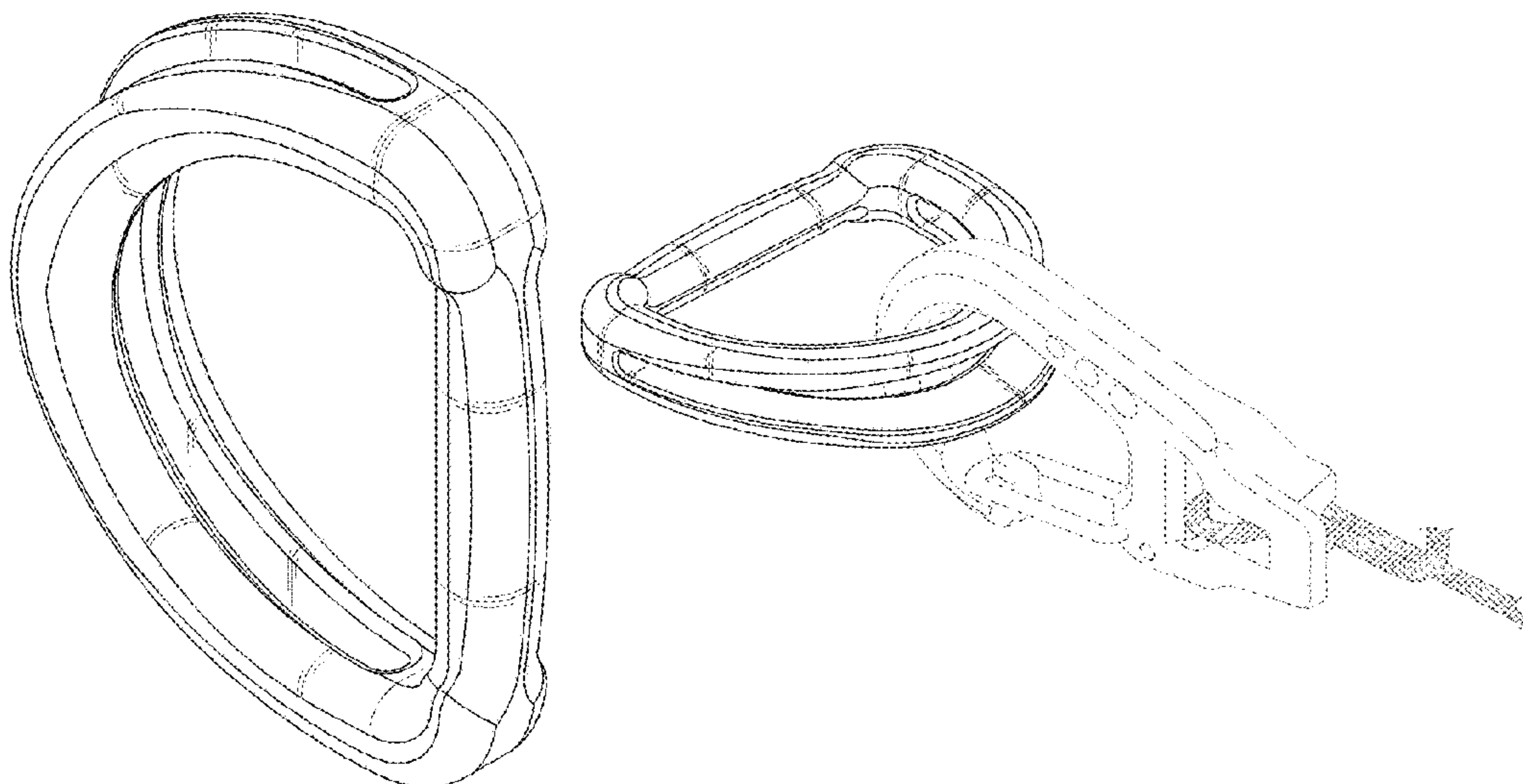
(57) **CLAIM**

The ornamental design for a buckle, as shown and described.

DESCRIPTION

FIG. 1 is a perspective view of a buckle showing our new design;
FIG. 2 is a front view of the buckle of FIG. 1;
FIG. 3 is a rear view of the buckle of FIG. 1;
FIG. 4 is a left side view of the buckle of FIG. 1;
FIG. 5 is a right side view of the buckle of FIG. 1;
FIG. 6 is a top view of the buckle of FIG. 1;
FIG. 7 is a bottom view of the buckle of FIG. 1;
FIG. 8 is a cross-sectional view taken along line 8-8 of FIG. 2;
FIG. 9 is a front view of the buckle of FIG. 1 shown in a condition of use;
FIG. 10 is another perspective view of the buckle of FIG. 1 shown in a condition of use;
FIG. 11 is another perspective view of the buckle of FIG. 1 shown in a condition of use; and,
FIG. 12 is another perspective view of the buckle of FIG. 1 shown in an alternate condition of use.
The broken lines shown in the drawings illustrate environmental structure that forms no part of the claimed design.

1 Claim, 12 Drawing Sheets



(56)

References Cited

U.S. PATENT DOCUMENTS

5,487,187 A * 1/1996 Zide A44B 11/18
2/462
D626,450 S * 11/2010 Wong D11/218
D641,613 S * 7/2011 Isberner D11/218
D683,262 S * 5/2013 Fitzpatrick D11/218
D738,255 S * 9/2015 Hortnagl D11/218
D744,357 S * 12/2015 Behar D10/70
D744,658 S * 12/2015 Hilkey-Boyatt D11/86
D752,469 S * 3/2016 Rastrick D11/3
D840,254 S * 2/2019 Nguyen D10/70
2018/0213891 A1 * 8/2018 Paik A44B 11/18

* cited by examiner

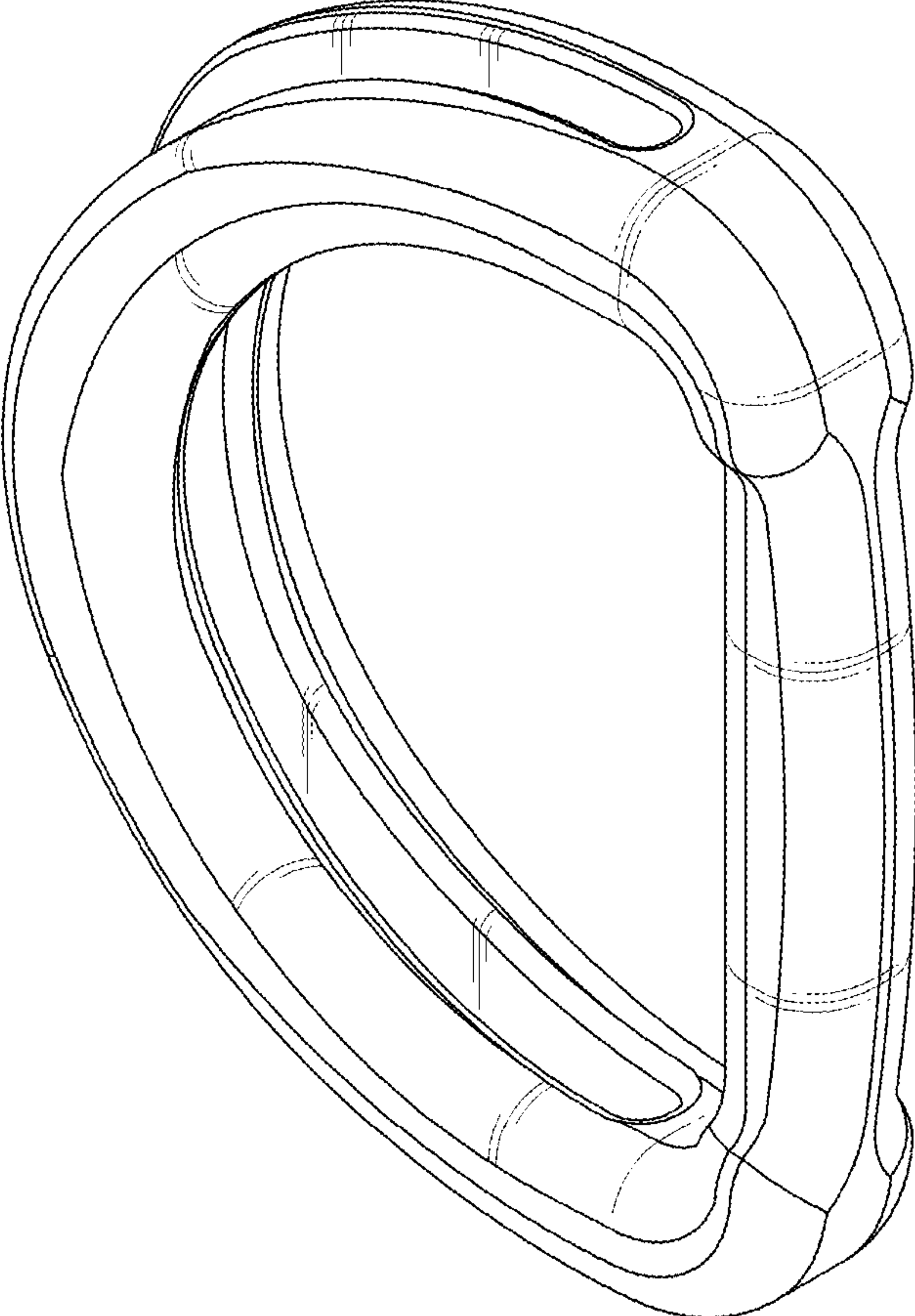


Fig.1

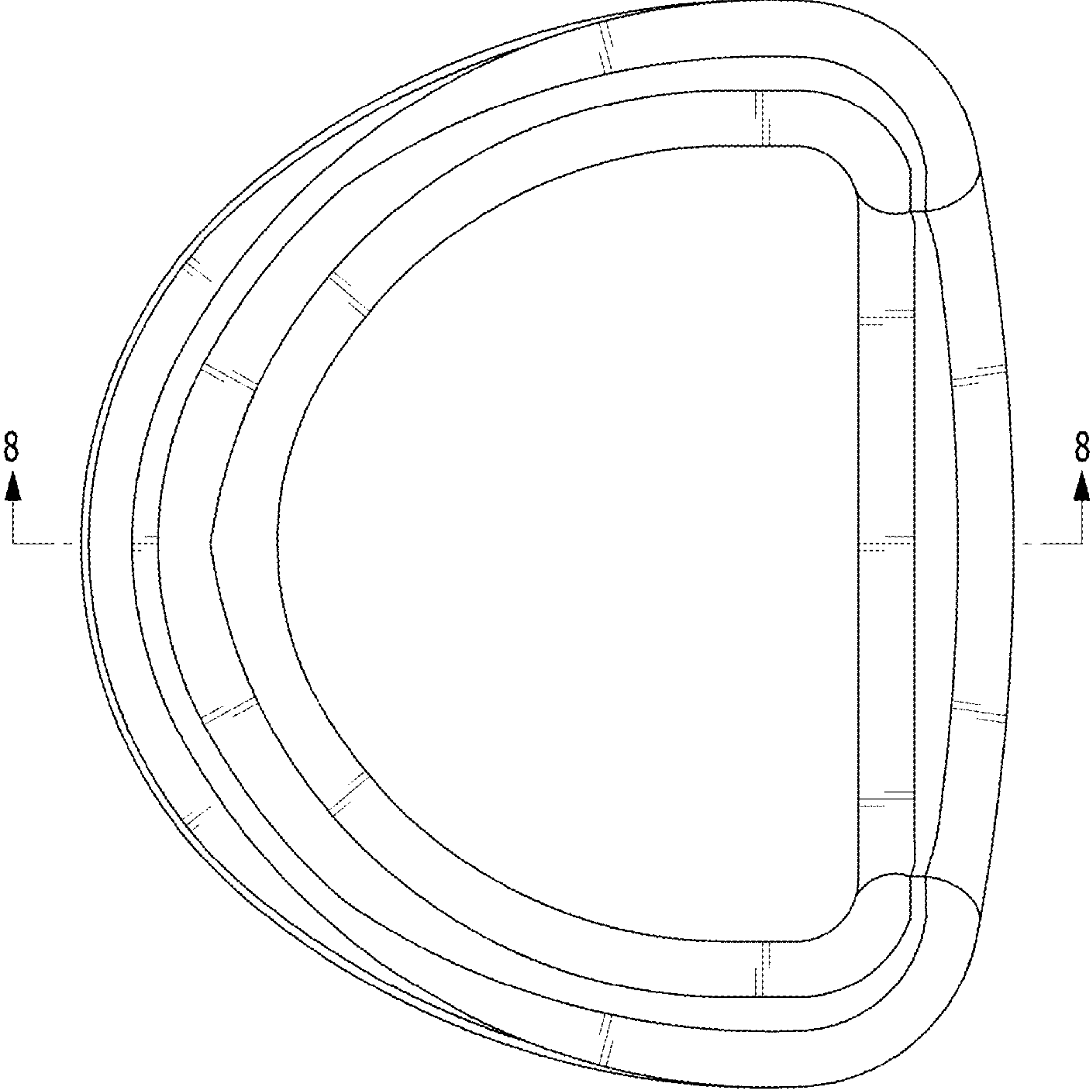


Fig.2

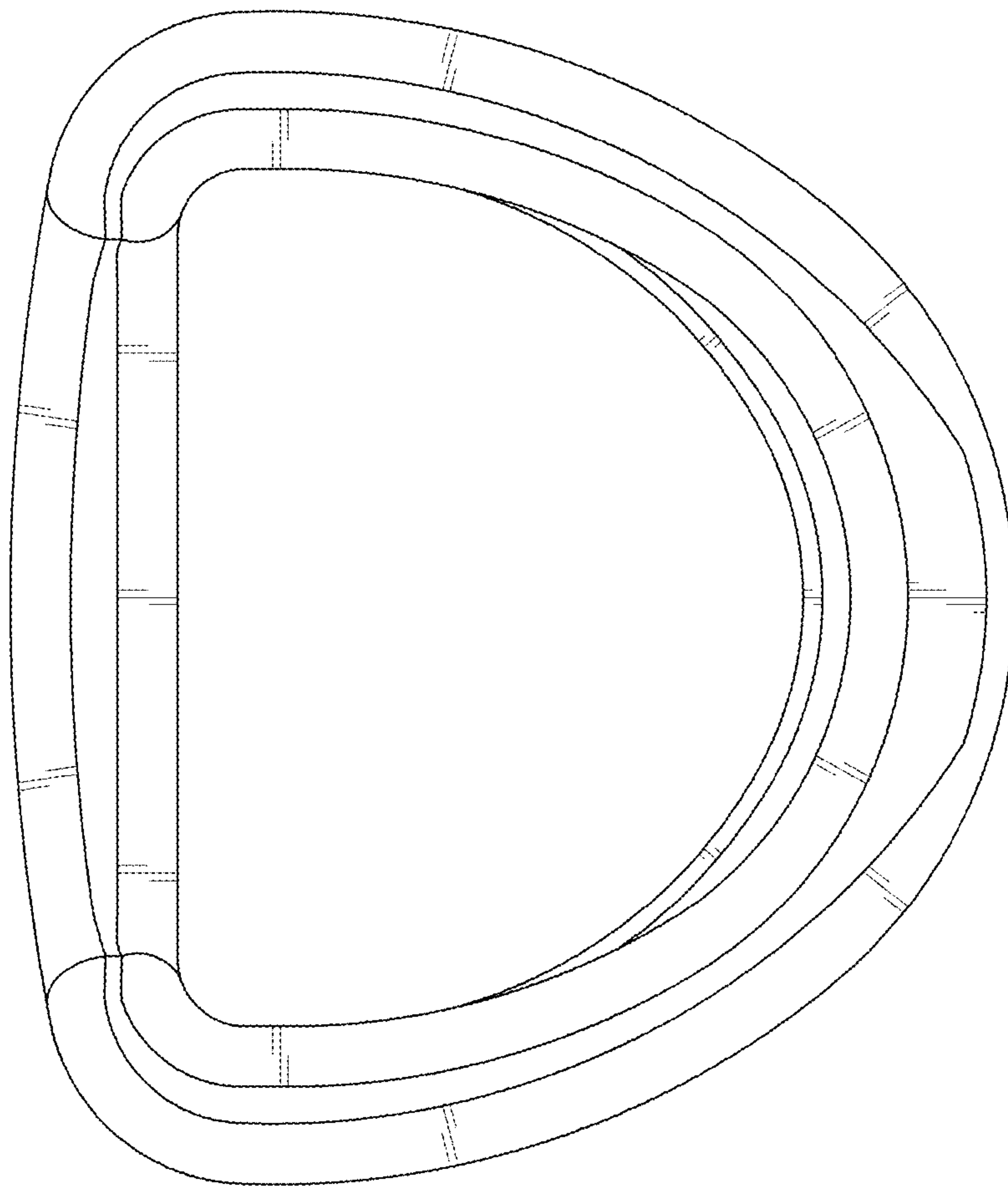


Fig.3

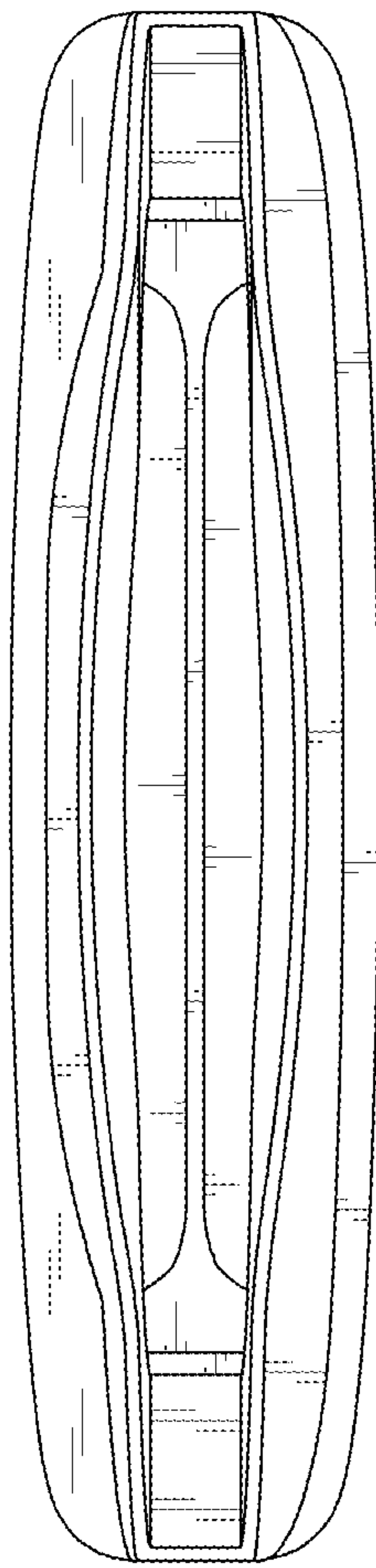


Fig.4

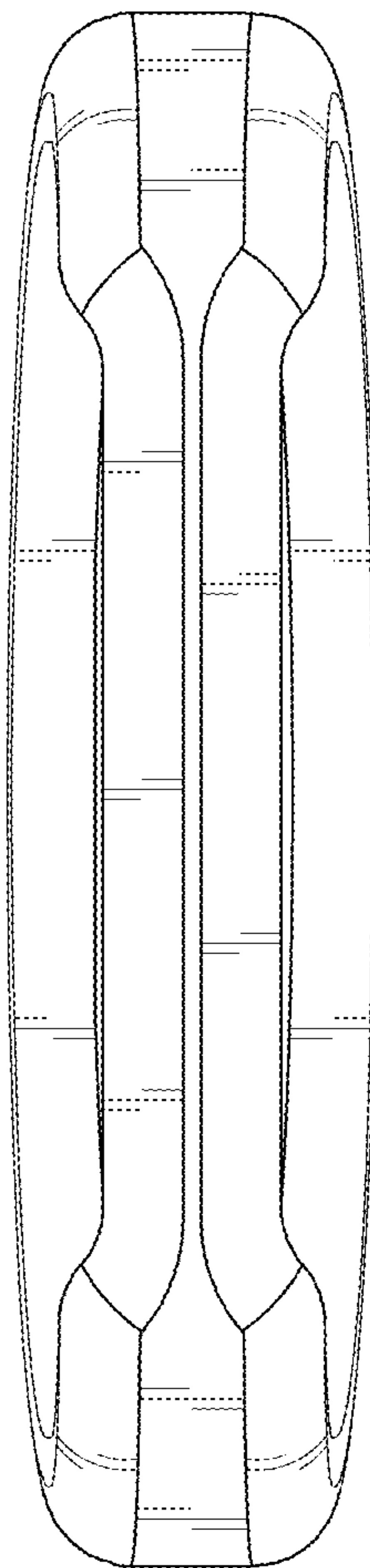


Fig.5

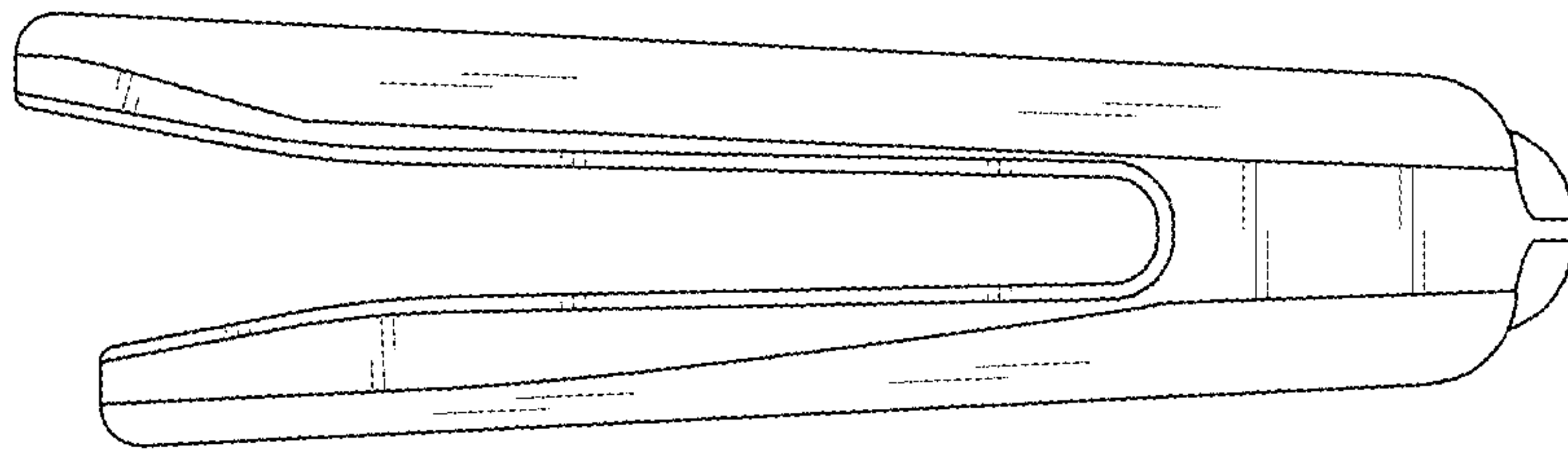


Fig.6

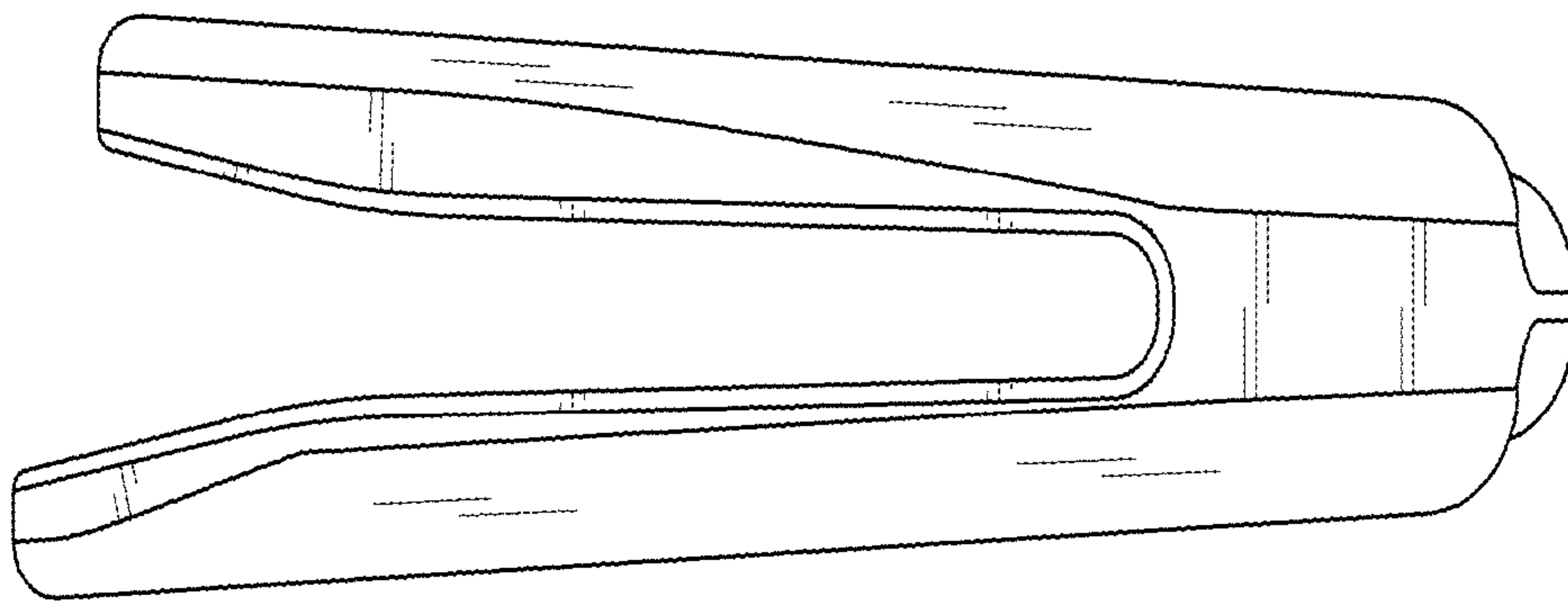


Fig.7

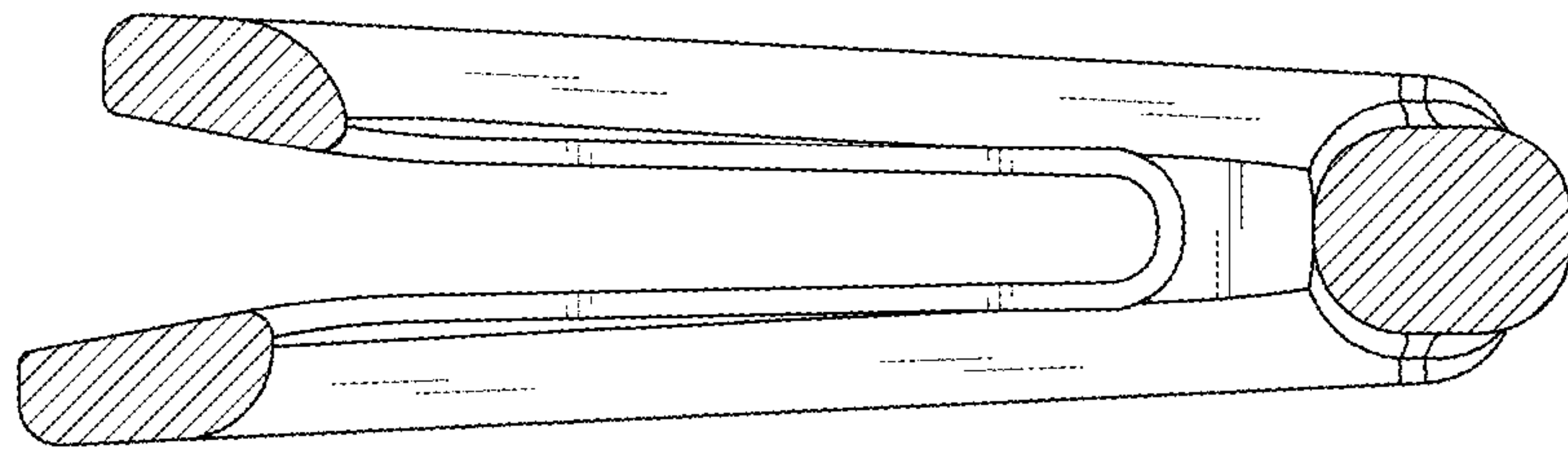


Fig.8

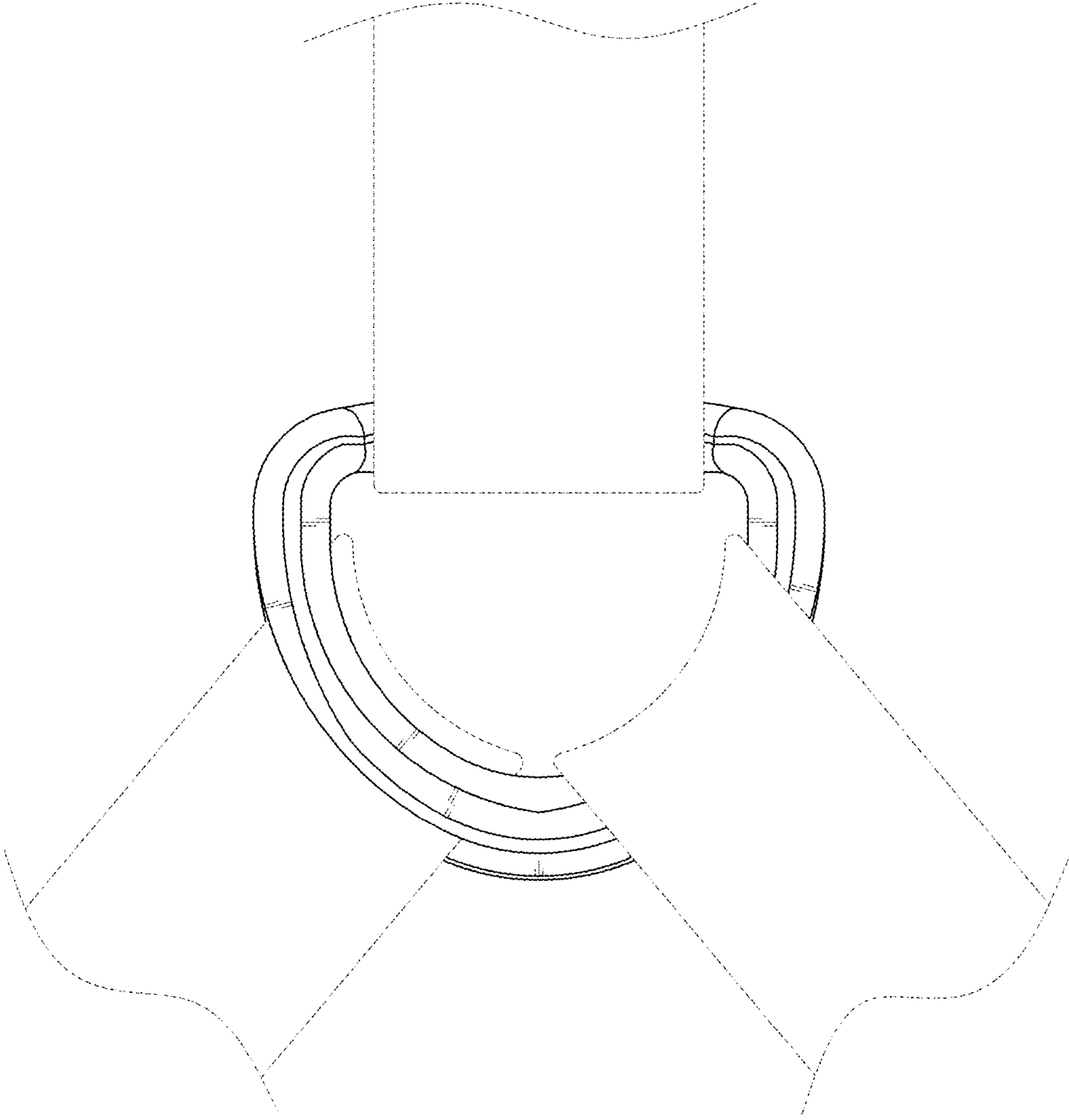


Fig.9

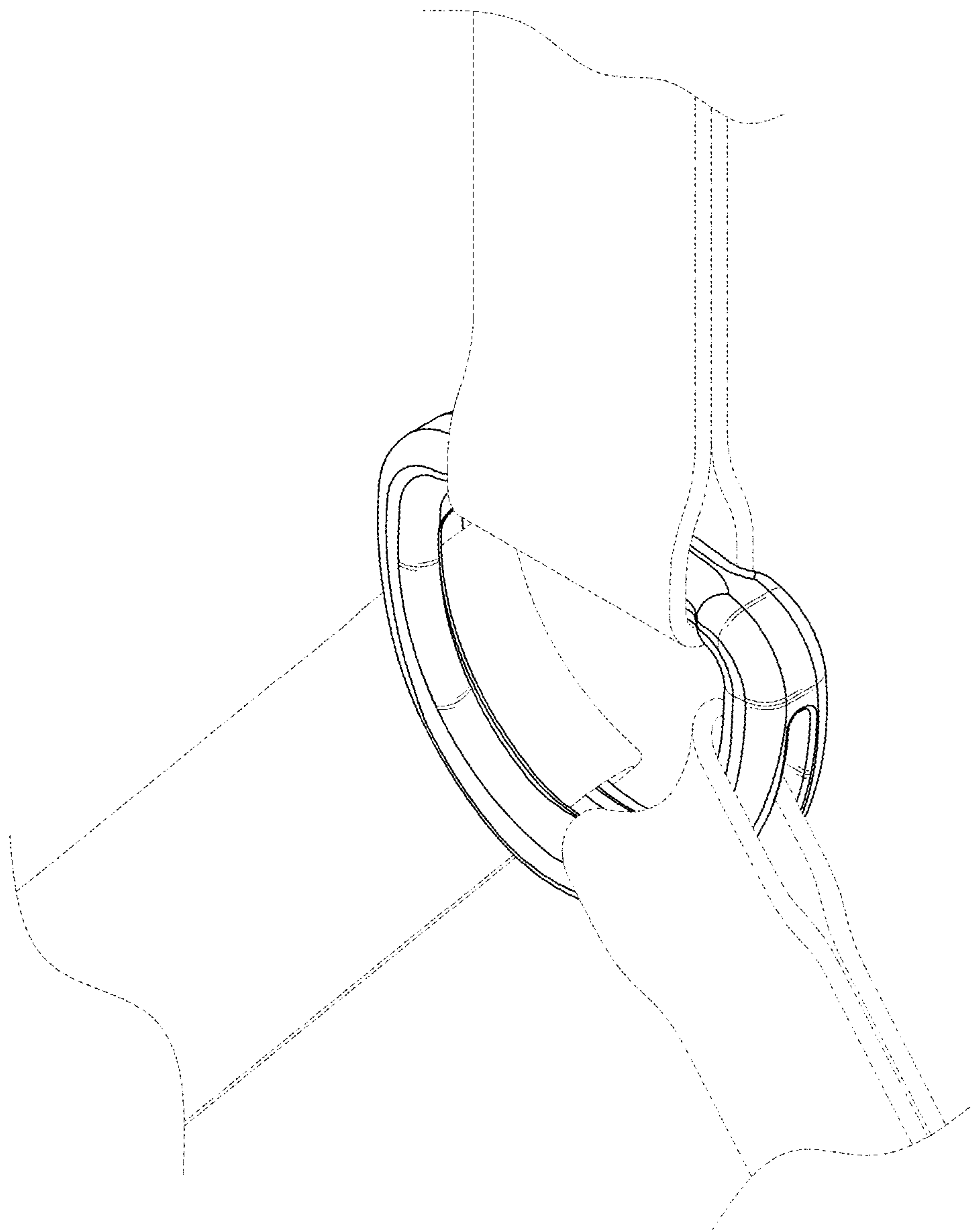


Fig.10

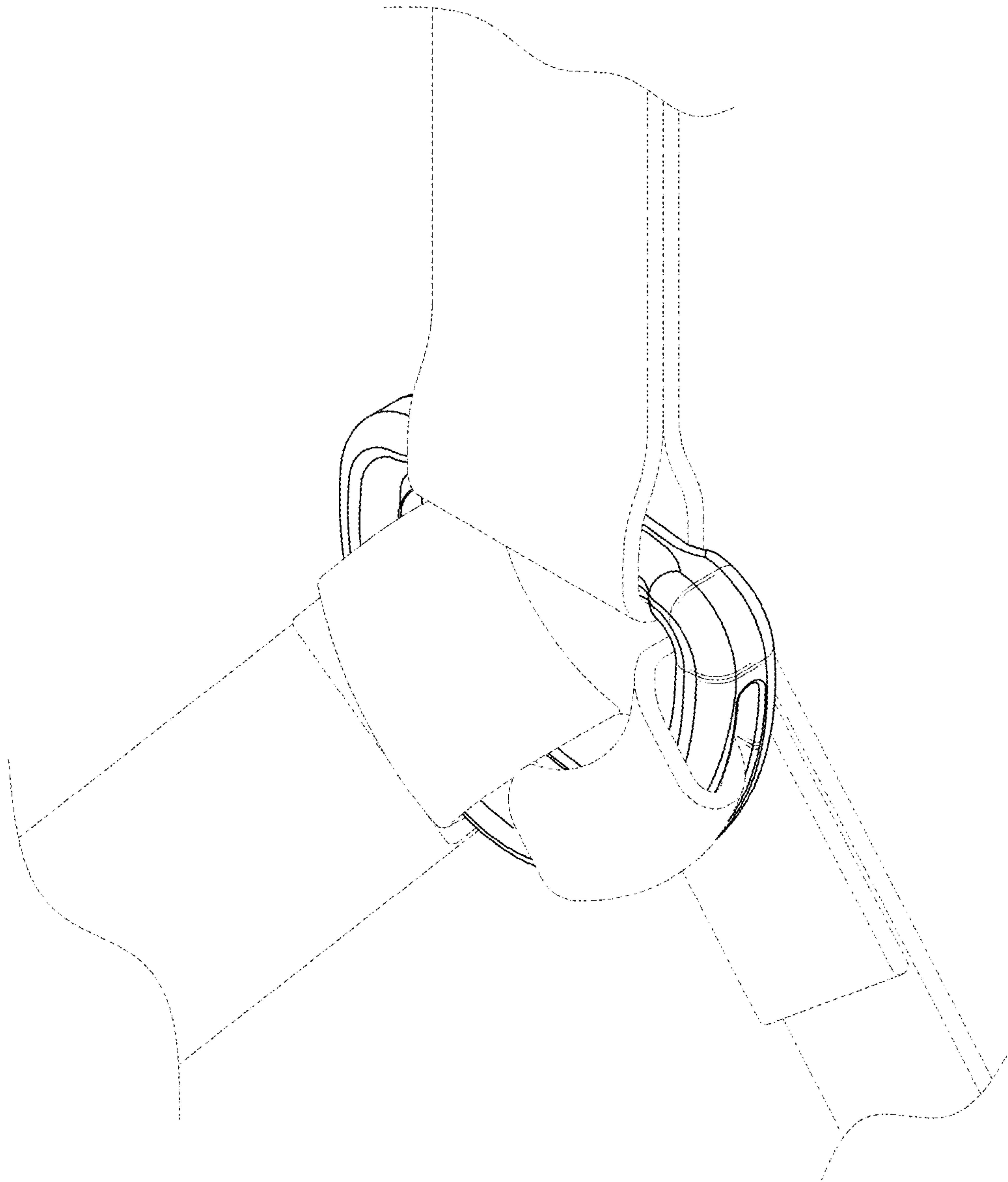


Fig.11

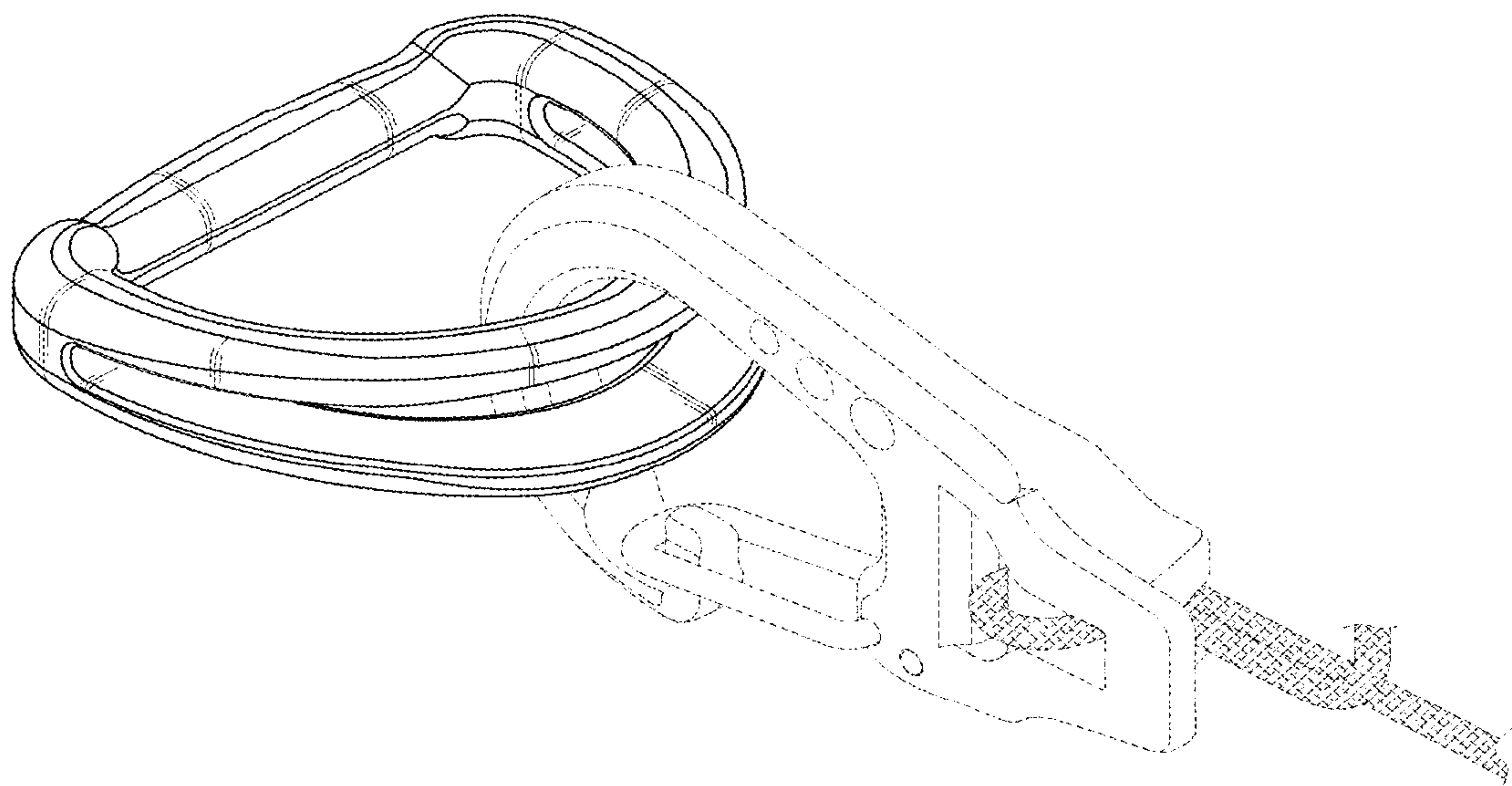


Fig.12