



US00D868623S

(12) **United States Design Patent** (10) **Patent No.:** **US D868,623 S**
Acuna et al. (45) **Date of Patent:** **** Dec. 3, 2019**

(54) **RESTRAINT SYSTEM WITH A THREE POINT SECURITY BUCKLE**

D717,206 S * 11/2014 Iannello D11/216
D749,462 S * 2/2016 Paik D11/216
D778,779 S * 2/2017 Fujii D11/216

(71) Applicant: **TIDI Products, LLC**, Neenah, WI (US)

OTHER PUBLICATIONS

(72) Inventors: **Eduardo Acuna**, Azusa, CA (US);
Saturnino Martinez, Whittier, CA (US)

Posey Healthcare Products Guide 1996.
Posey Patient Safety Aids—1989-1990 Product Line.
Posey Patient Safety Aids—1985 Edition—Product Catalog.

(73) Assignee: **TIDI Products, LLC**, Neenah, WI (US)

* cited by examiner

(**) Term: **15 Years**

Primary Examiner — Randall H Gholson

(74) *Attorney, Agent, or Firm* — Boyle Fredrickson, S.C.

(21) Appl. No.: **29/626,361**

(22) Filed: **Nov. 16, 2017**

(57) **CLAIM**

(51) **LOC (12) Cl.** **02-07**

The ornamental design for a restraint system with a three point security buckle, substantially as shown and described.

(52) **U.S. Cl.**

USPC **D11/216**; D29/120.1

(58) **Field of Classification Search**

DESCRIPTION

USPC D11/1-2, 200-201, 206-210, 214-219;
24/163 R, 169-171, 173, 177-179, 191,
24/194-195, 197, 198, 200, 614-616,
24/625, 640, 578.11, 578.1, 163 K, 114;
D8/349, 395, 356; D29/100, 120.1

FIG. 1 is a front, raised perspective view of the restraint system with a three point security buckle showing the first half of the three point buckle;

FIG. 2 is a front, raised perspective view of the restraint system with a three point security buckle showing the second half of the three point buckle;

FIG. 3 is a front, raised perspective view of the restraint system with a three point security buckle showing the first and second half of the three point buckles with an arrow indicating the insertion of the second half to the first half buckle thereof; and,

FIG. 4 is a complete assembly thereof showing both features together.

The figures show the design features separately and together for clarity of the disclosure.

CPC A44B 11/06; A44B 11/26; A44B 11/25;
A41F 11/04

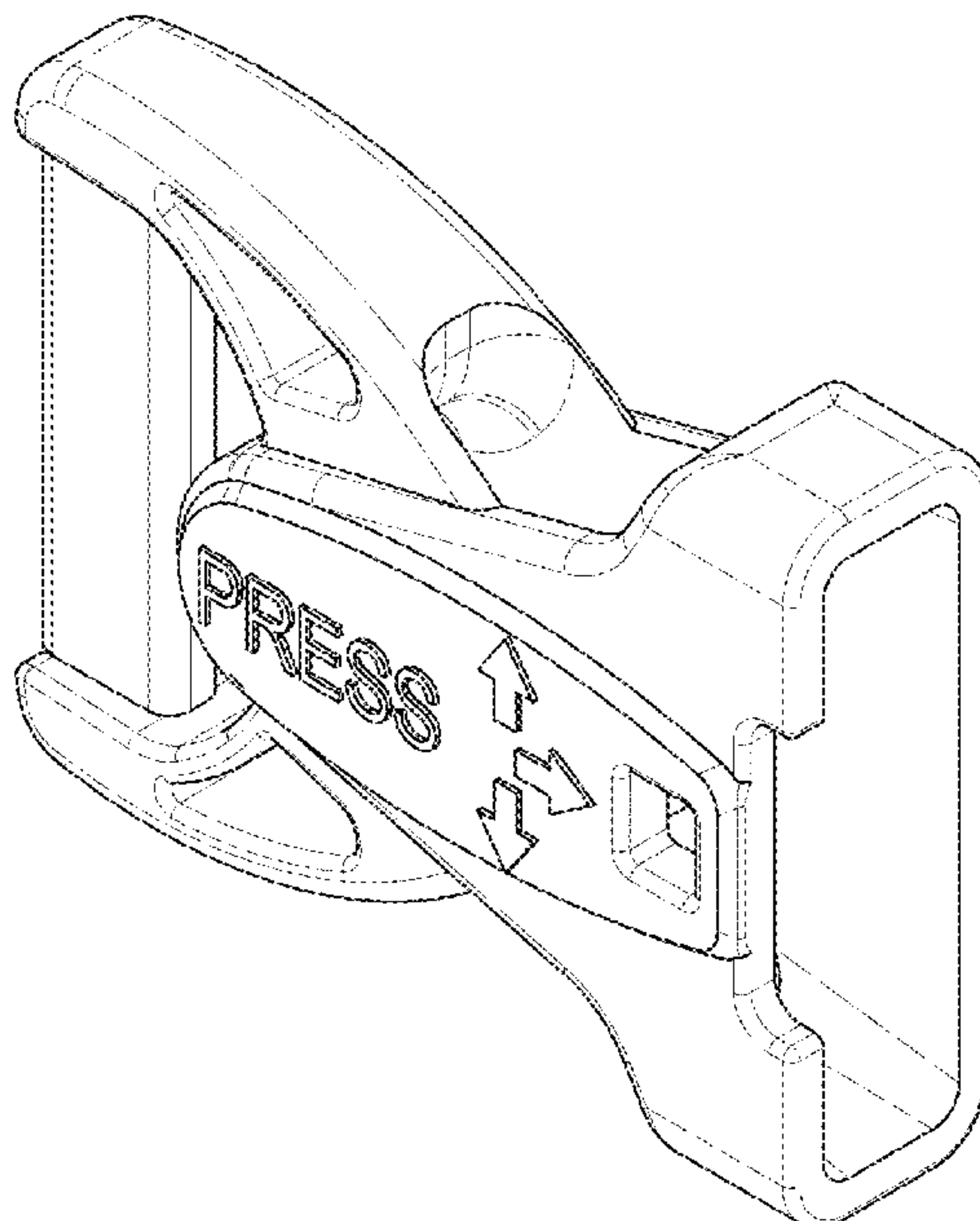
See application file for complete search history.

(56) **References Cited**

U.S. PATENT DOCUMENTS

D404,845 S * 1/1999 McIntyre D29/101.1
6,311,374 B1 * 11/2001 Anscher A44B 11/263
24/625
6,796,007 B1 * 9/2004 Anscher A44B 11/2549
24/312
D680,900 S * 4/2013 Grimm D11/216
D701,139 S * 3/2014 Kadoishi D11/216

1 Claim, 24 Drawing Sheets



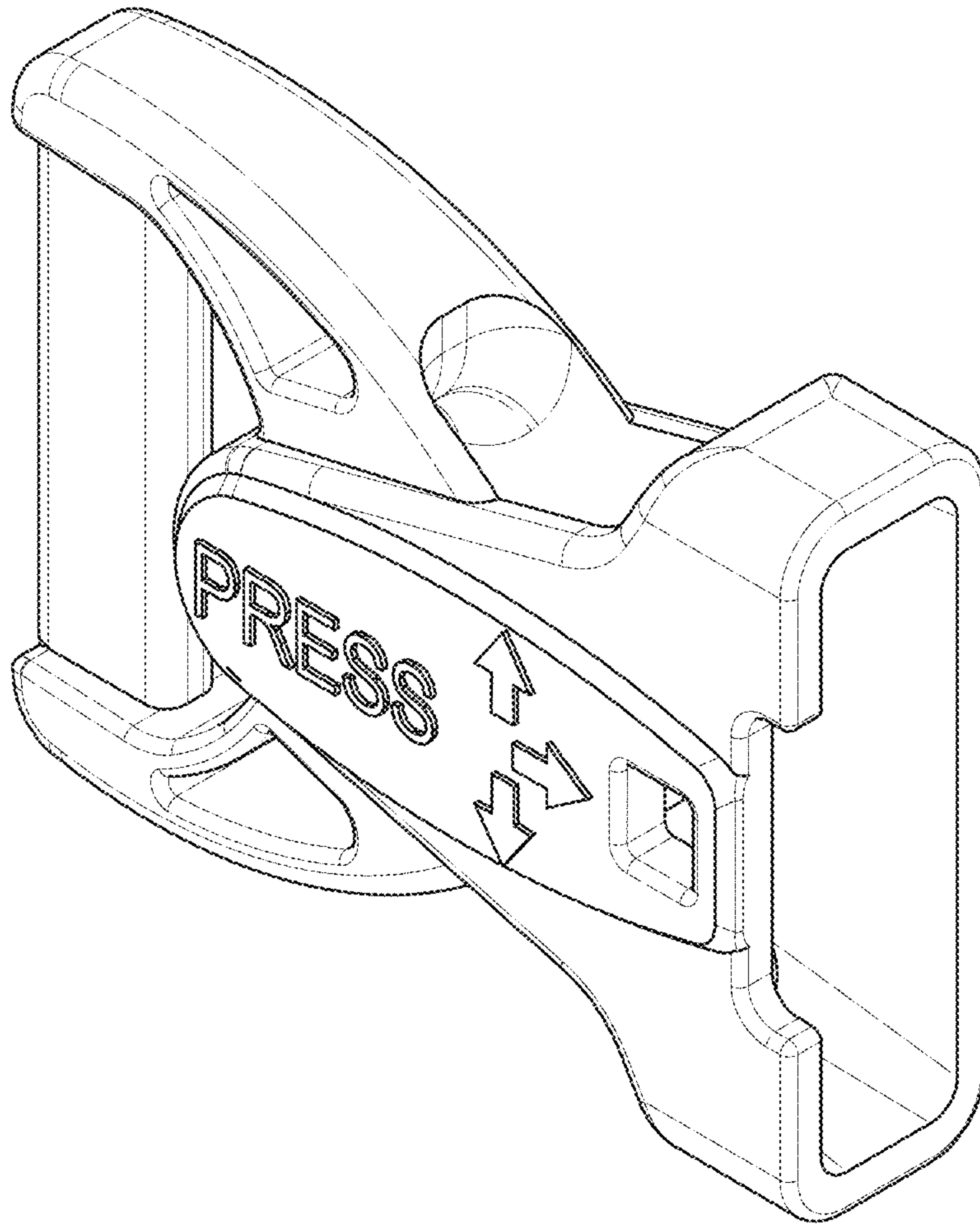


Fig. 1

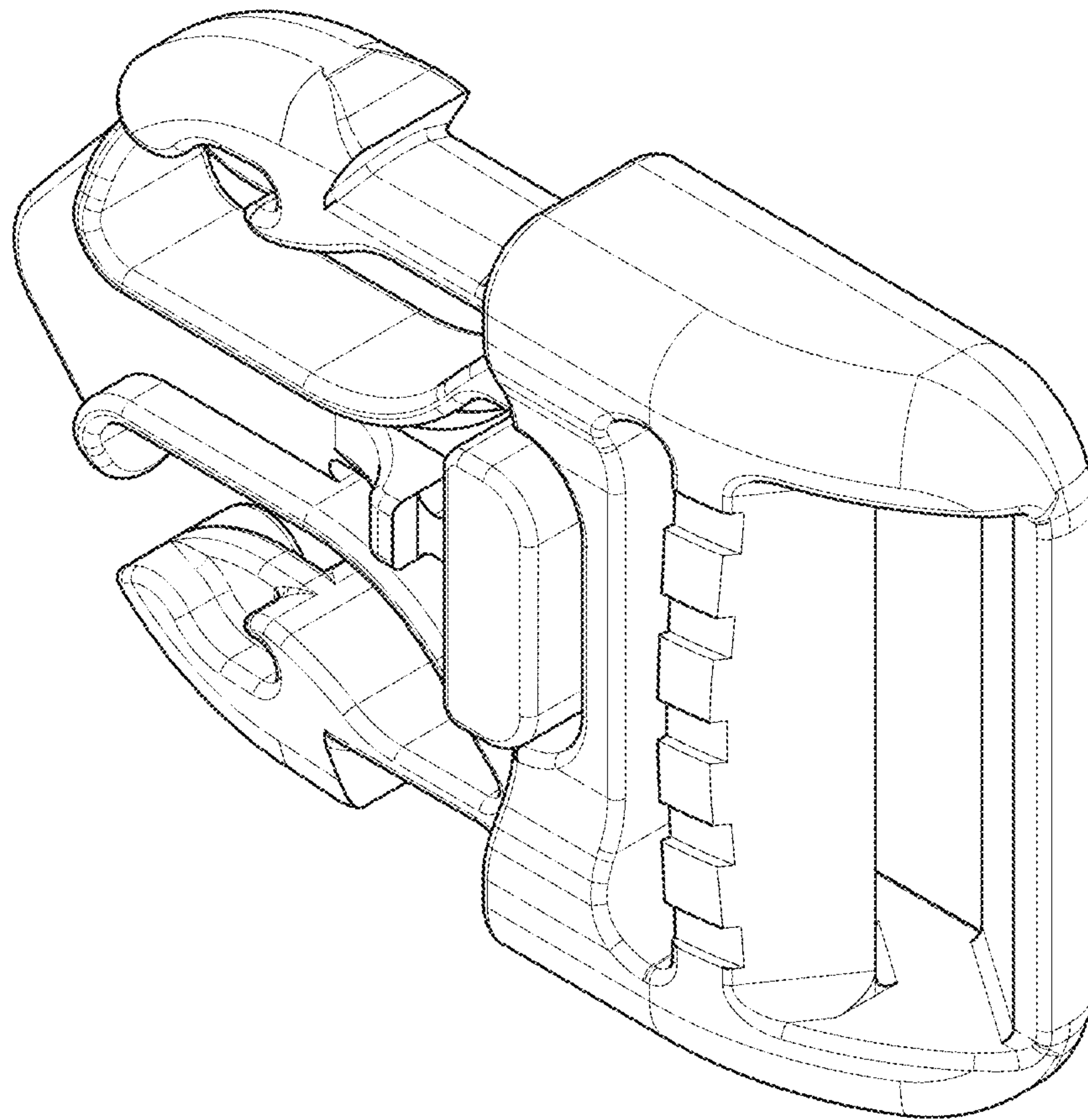


Fig. 2

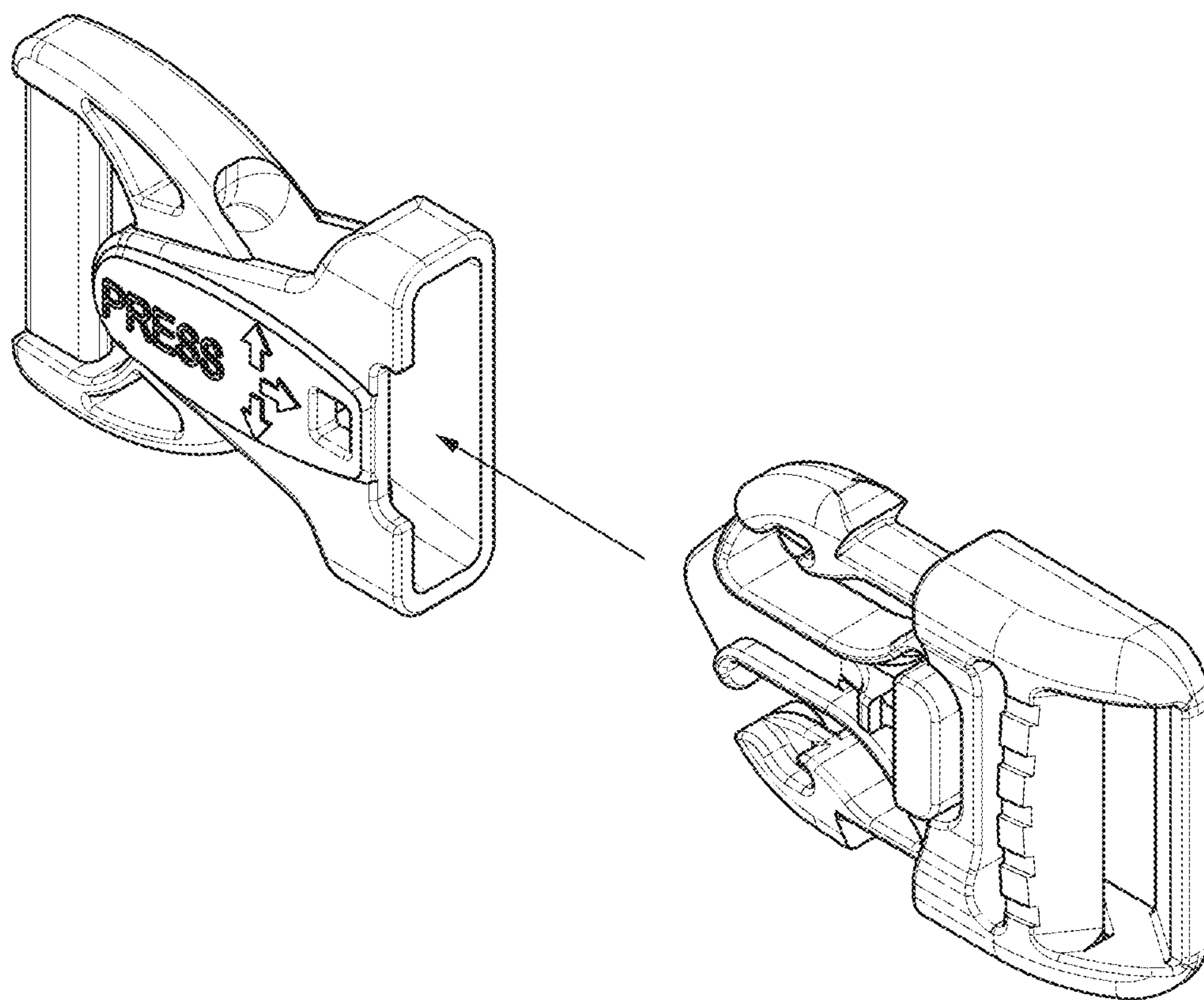


Fig. 3

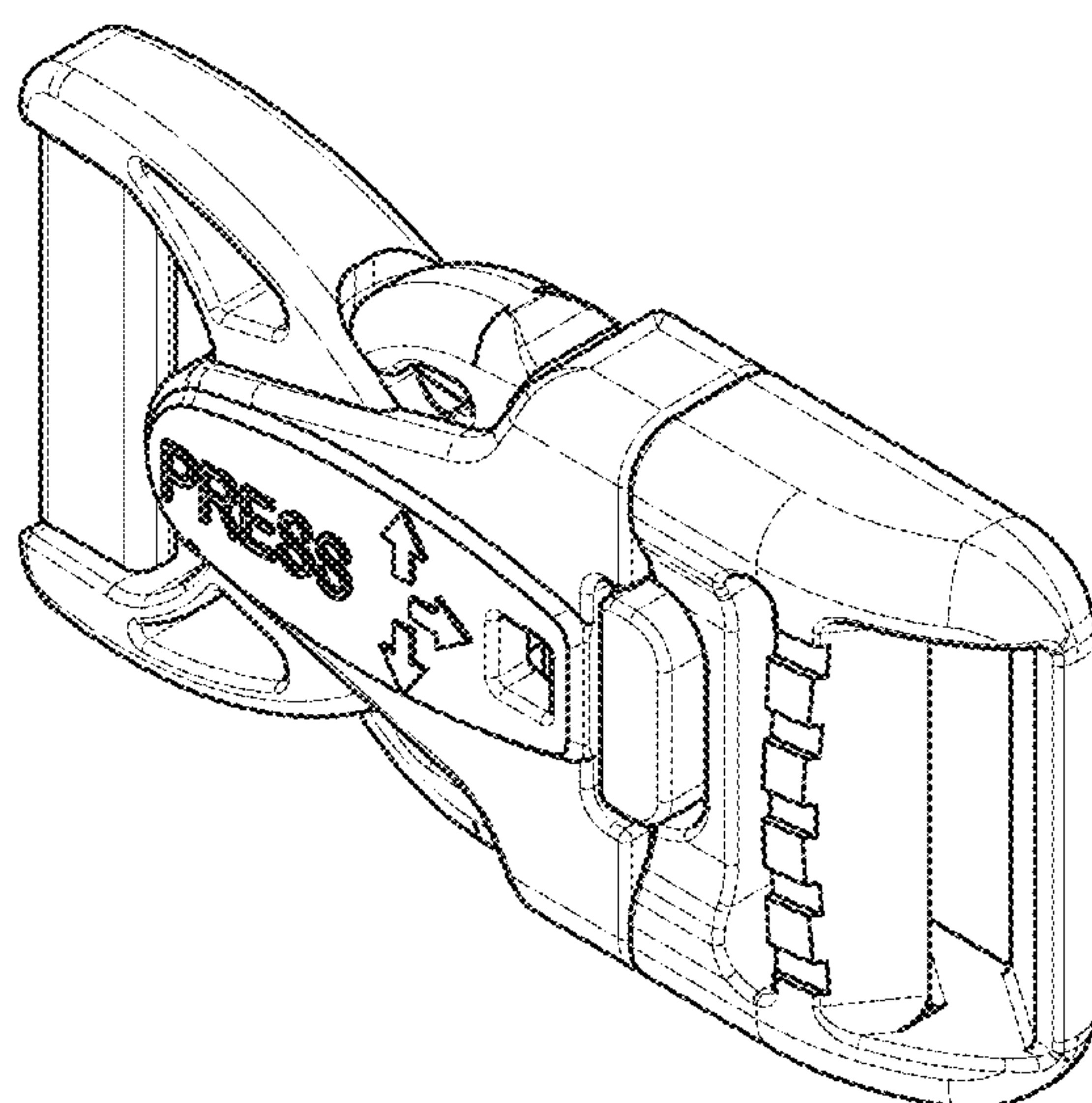


Fig. 4

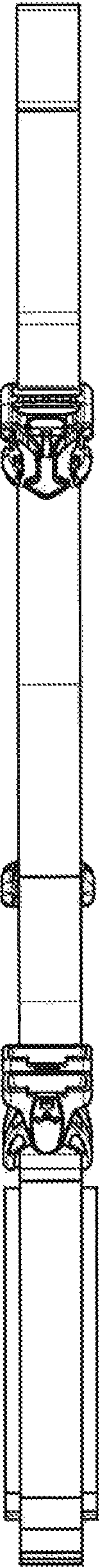


Fig. 5

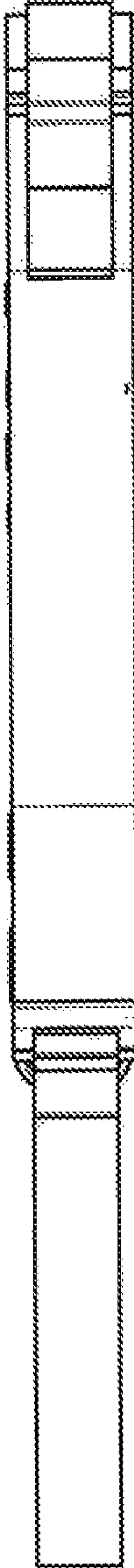


Fig. 6

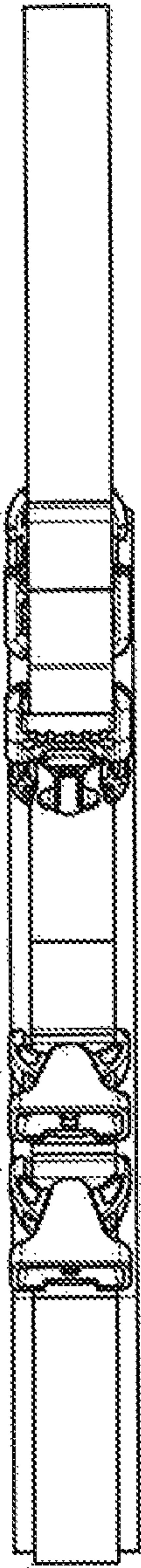


Fig. 7

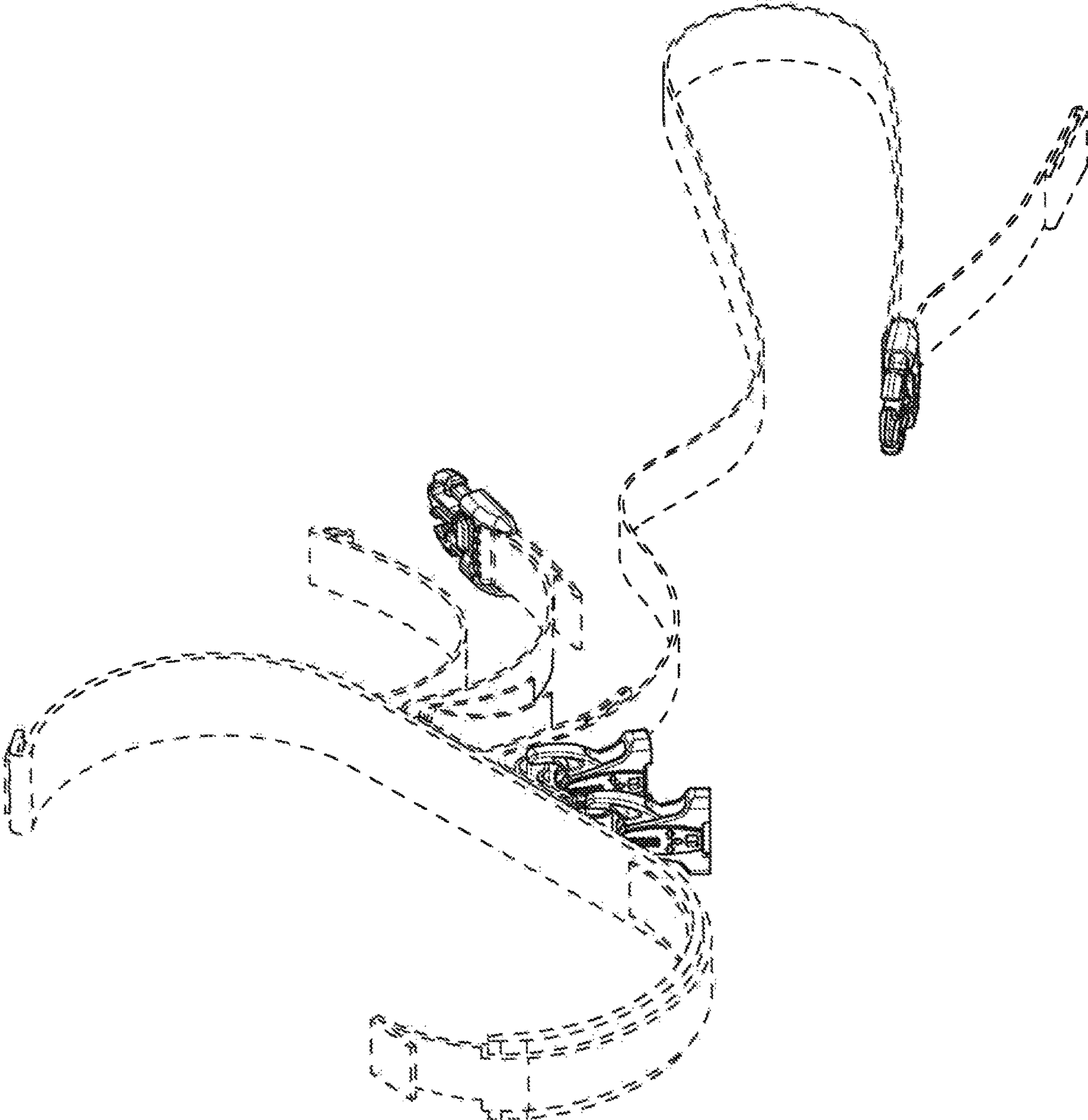
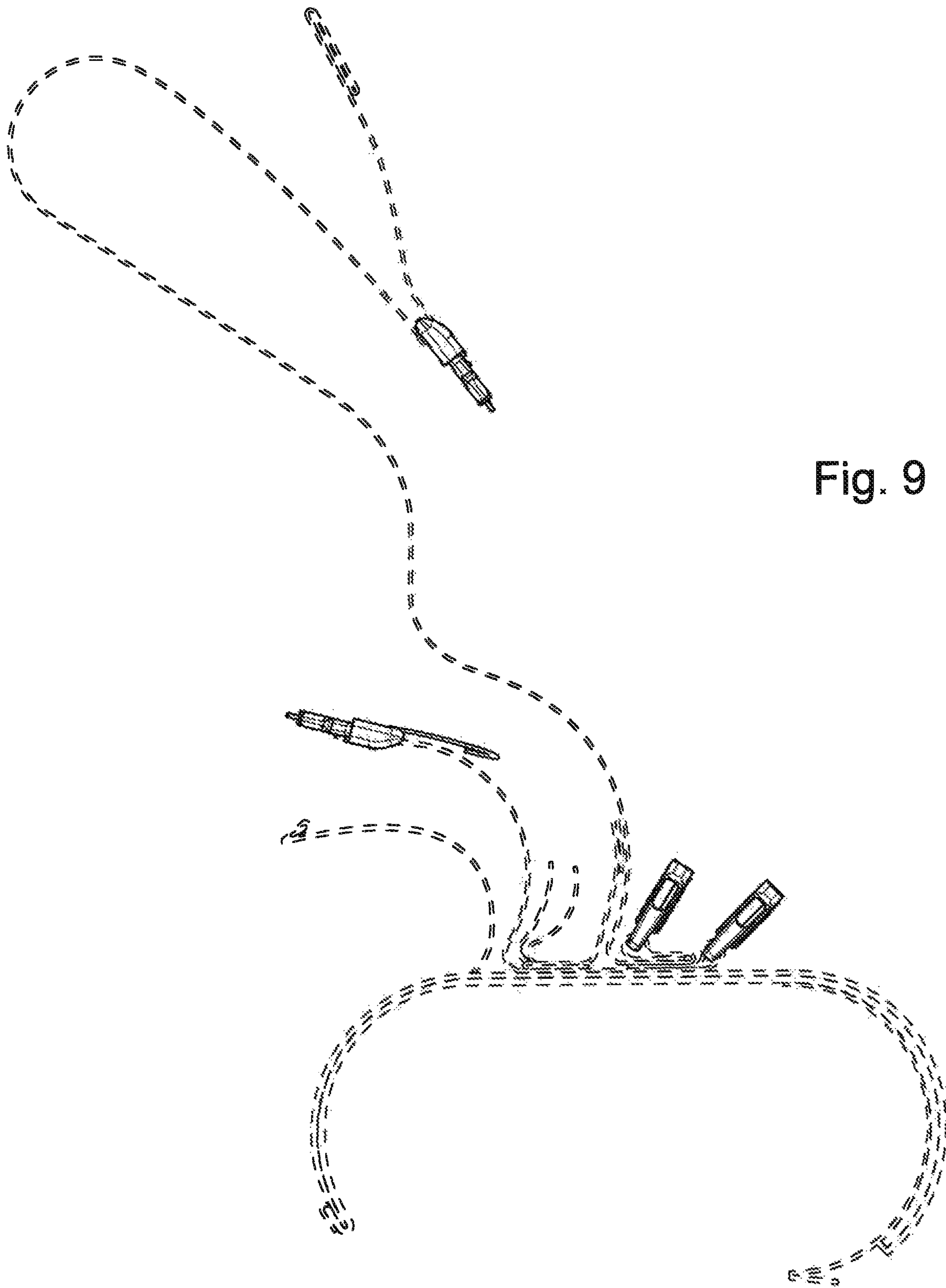
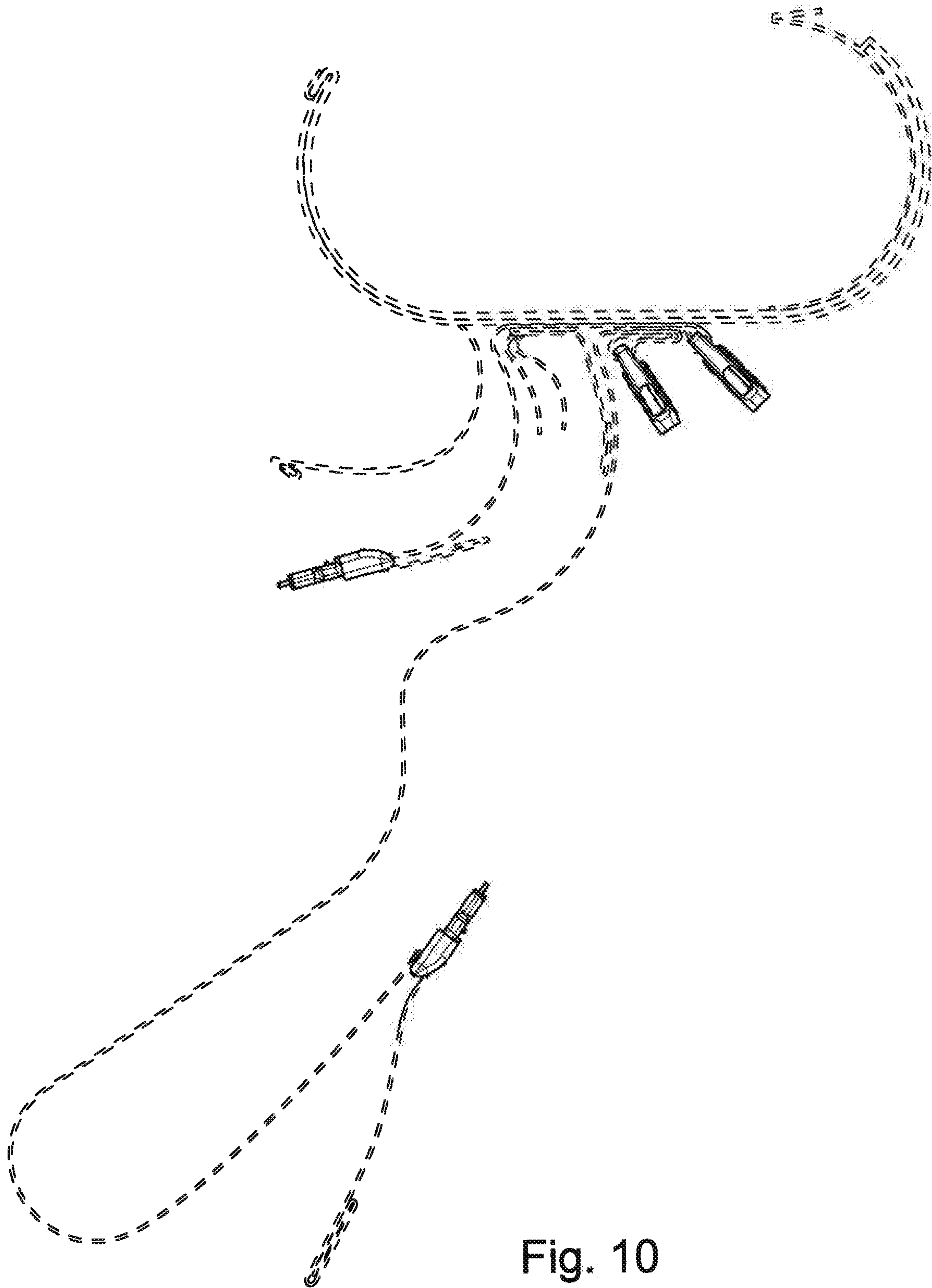


Fig. 8





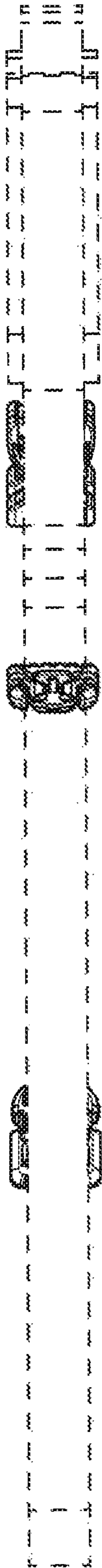


Fig. 11

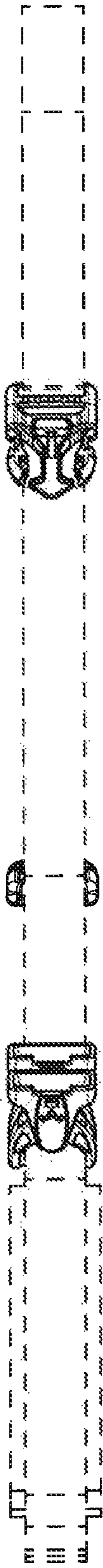


Fig. 12

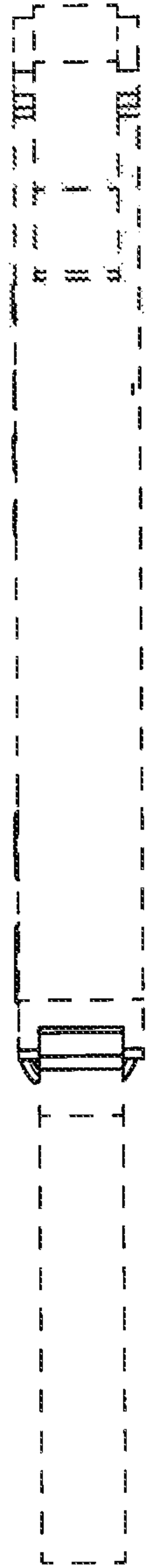


Fig. 13

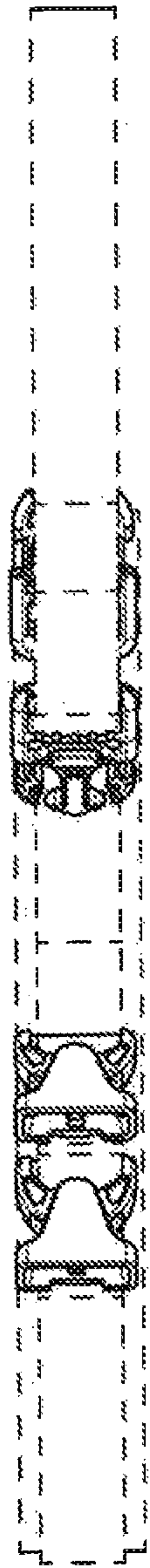


Fig. 14

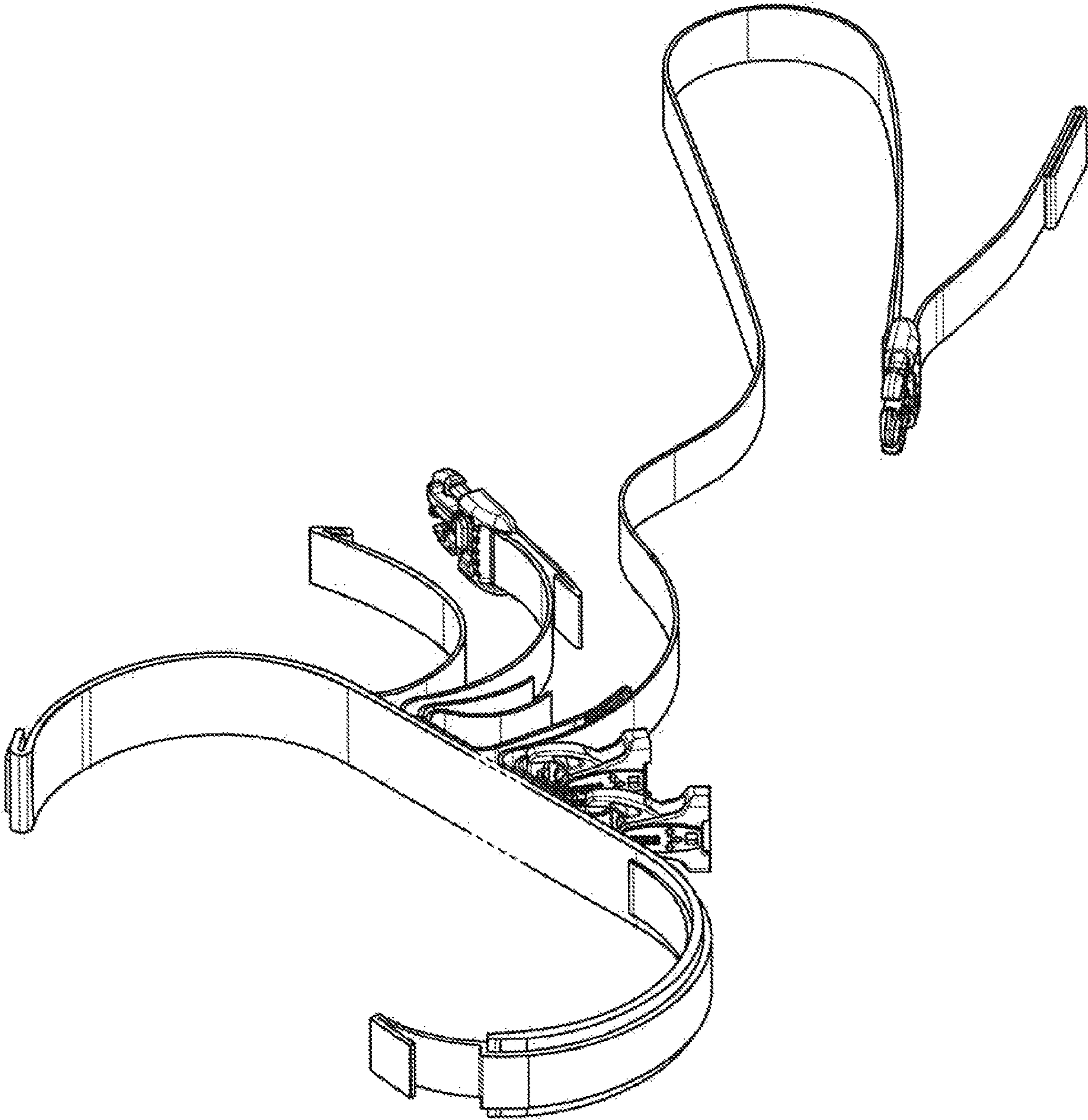


Fig. 15

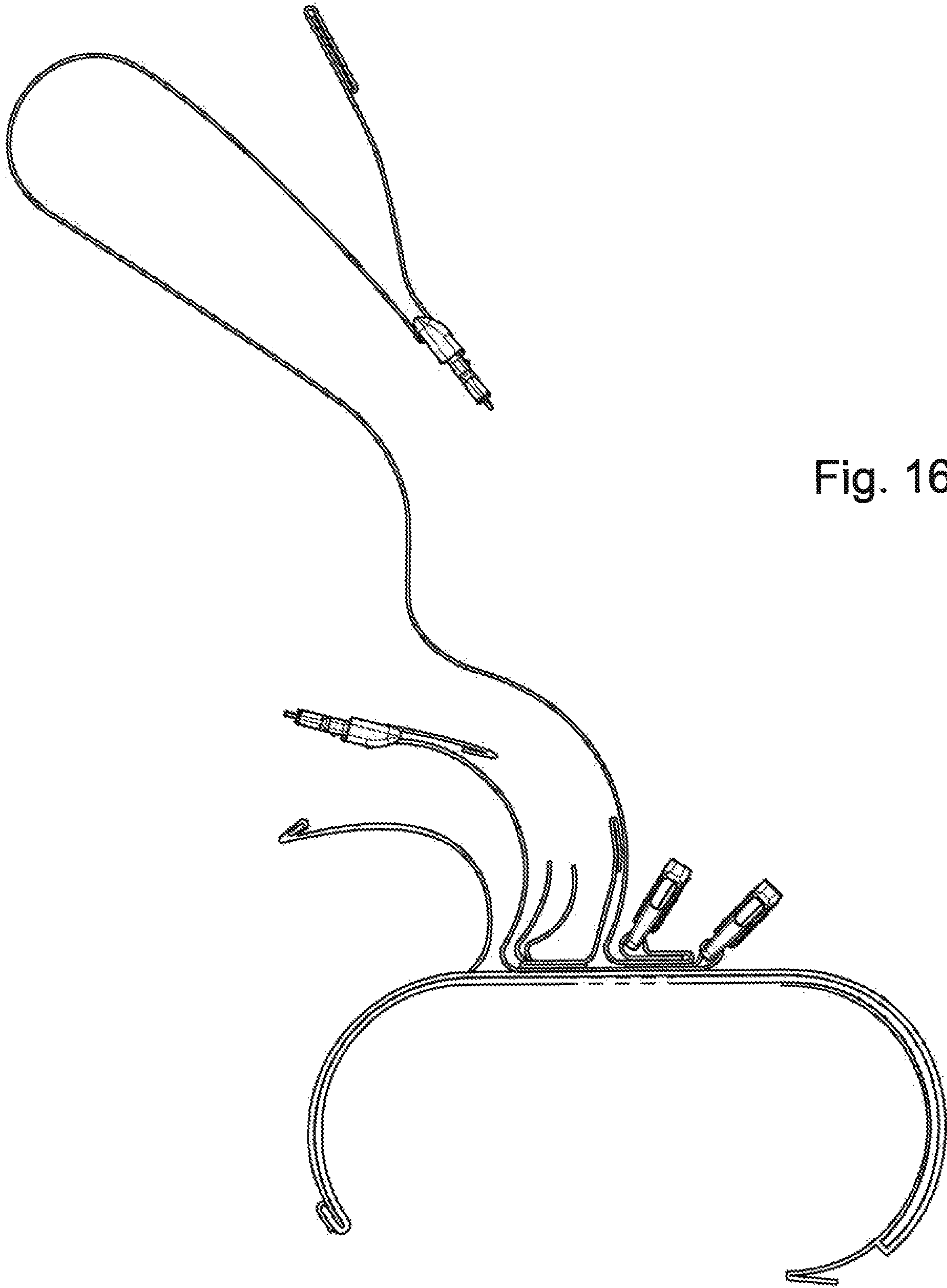


Fig. 16

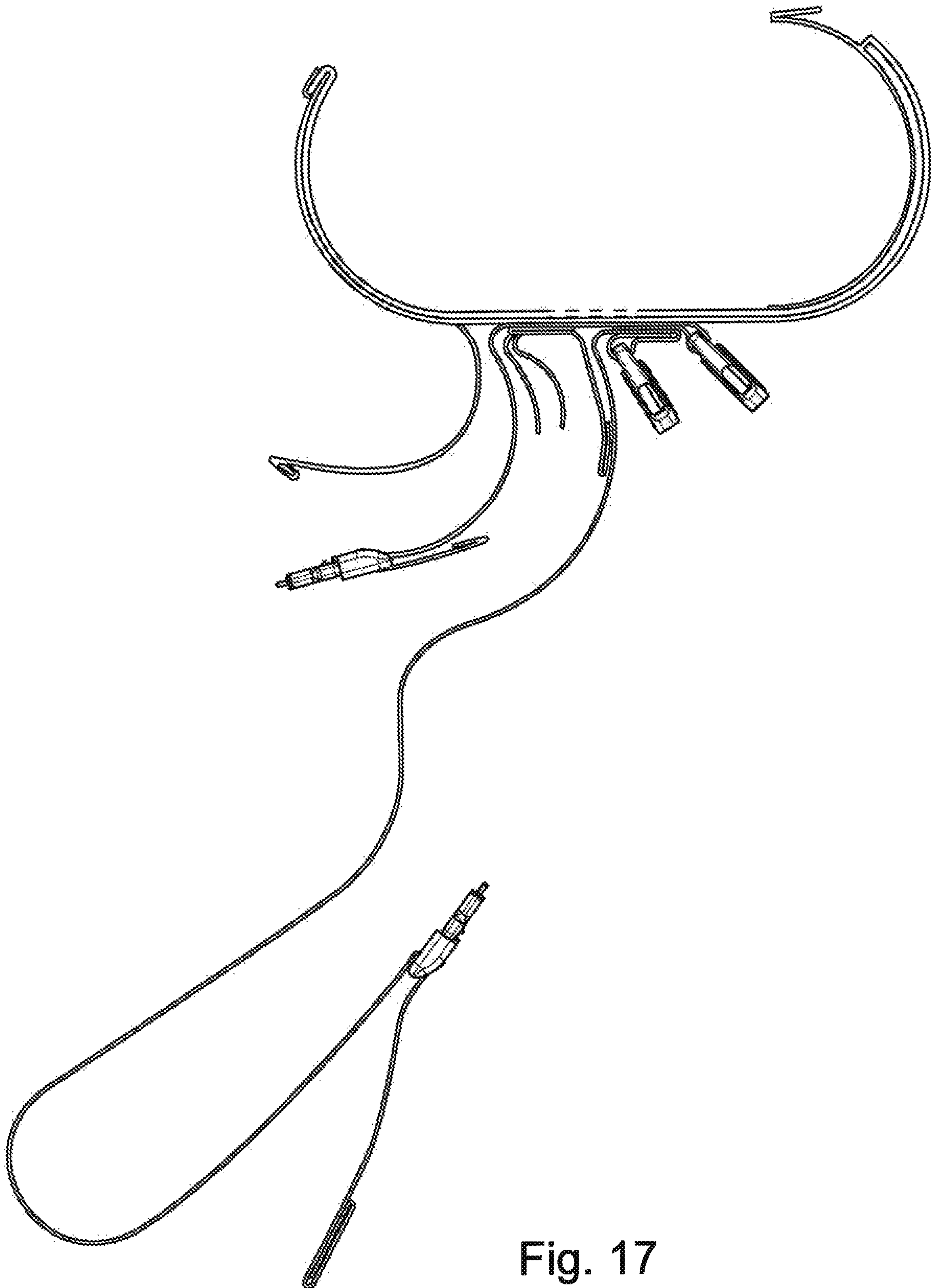


Fig. 17

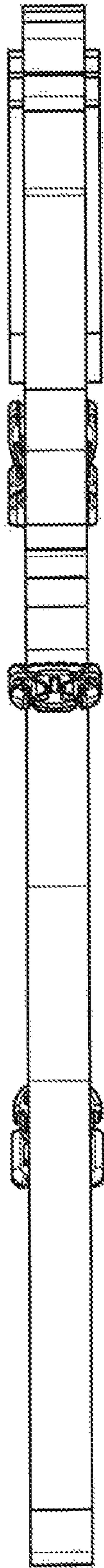


Fig. 18

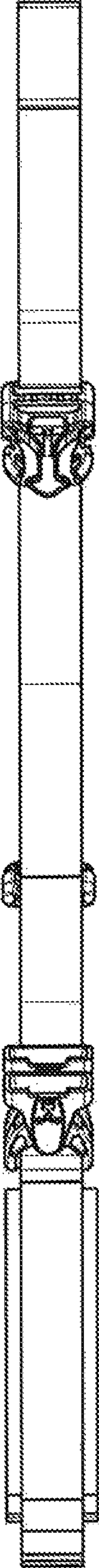


Fig. 19

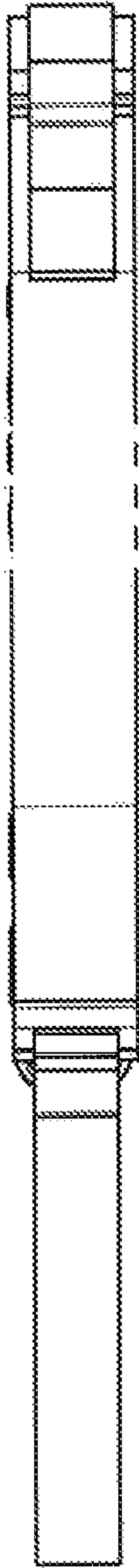


Fig. 20

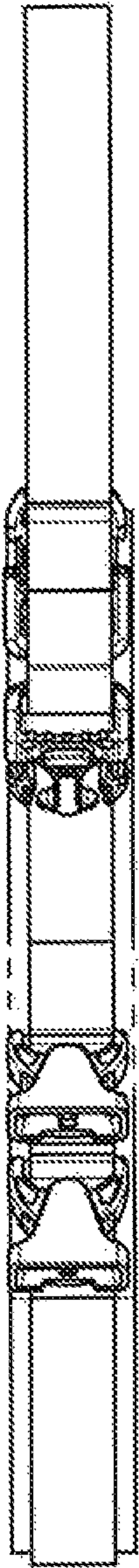


Fig. 21

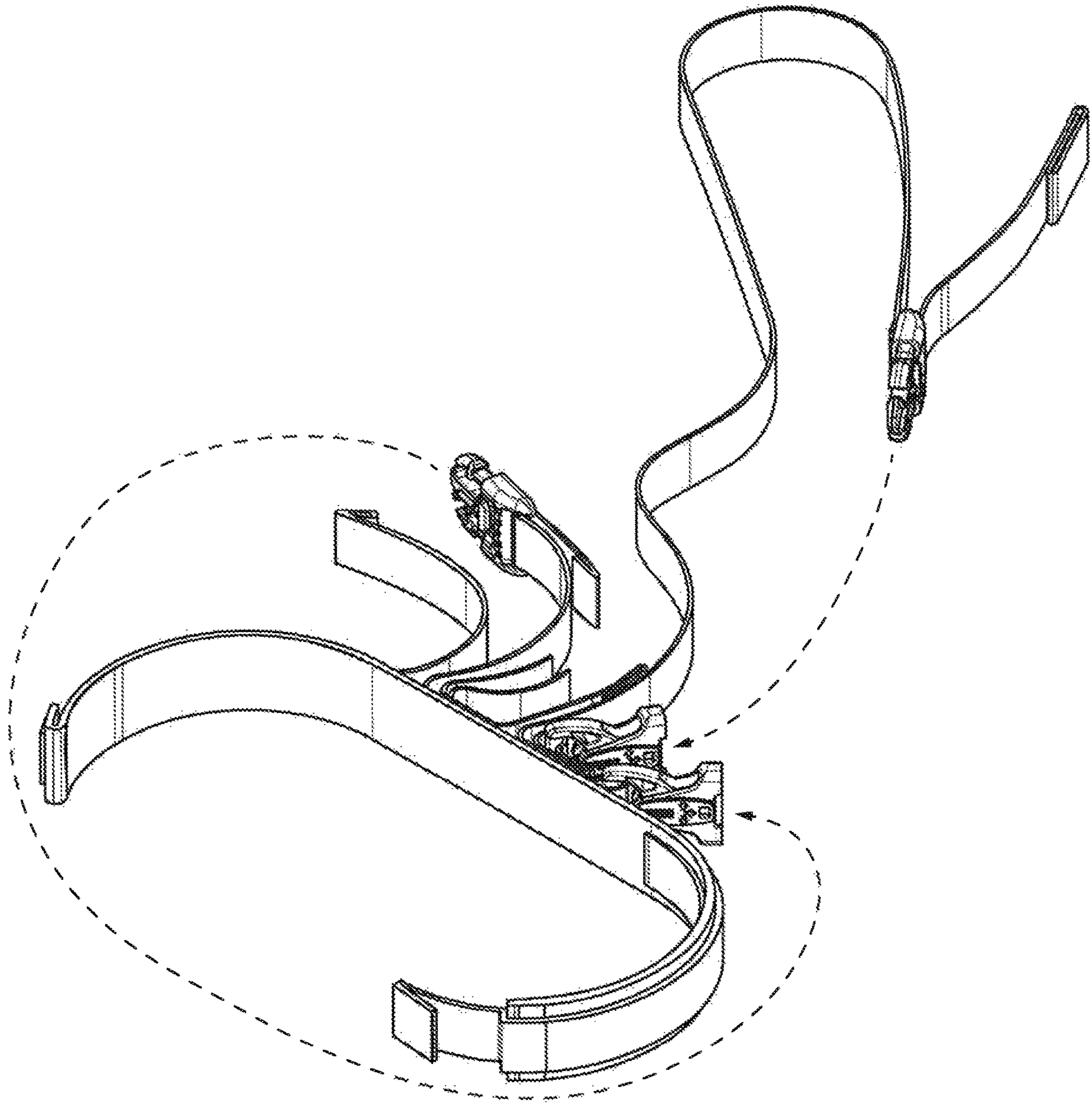


Fig. 22

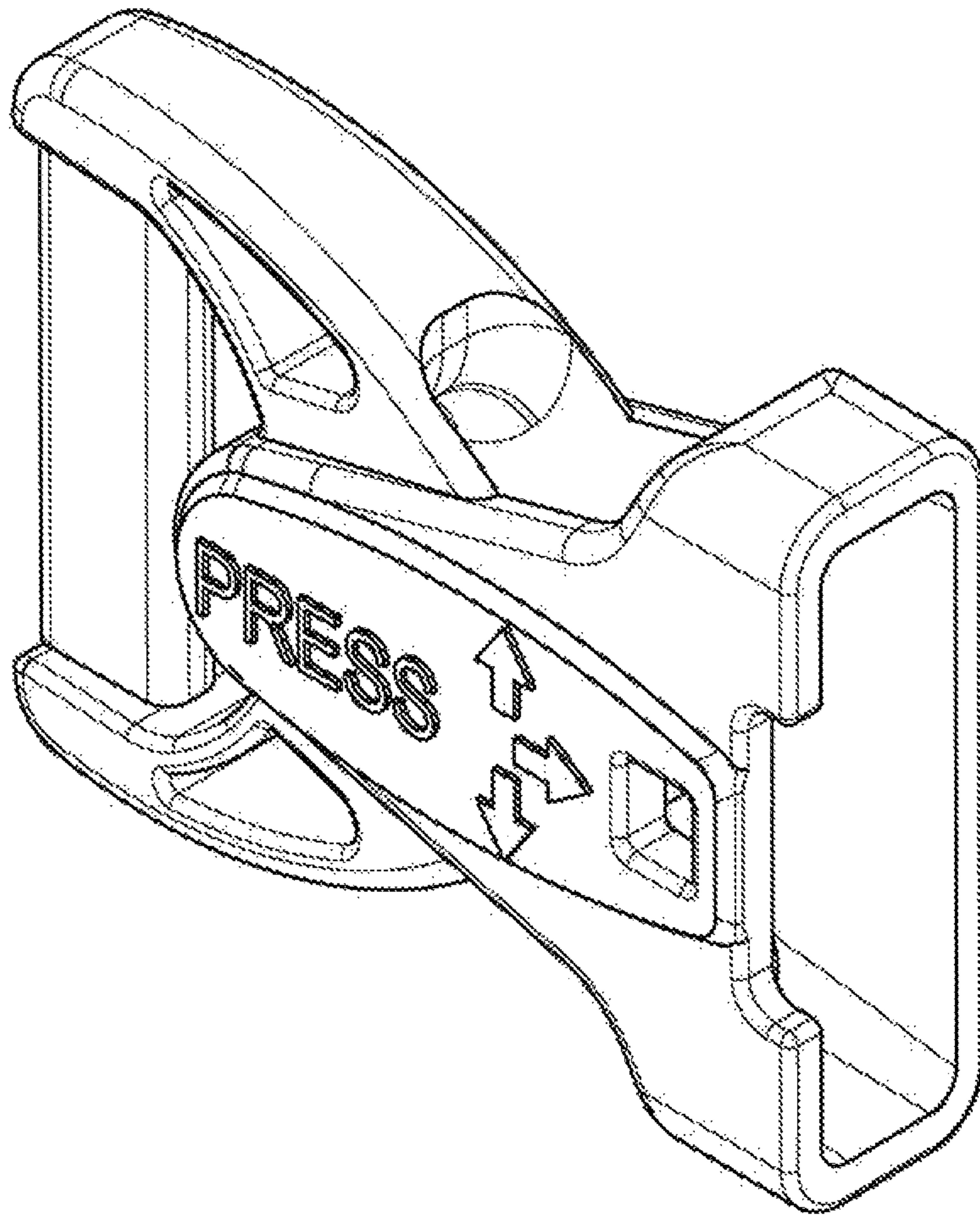


Fig. 23

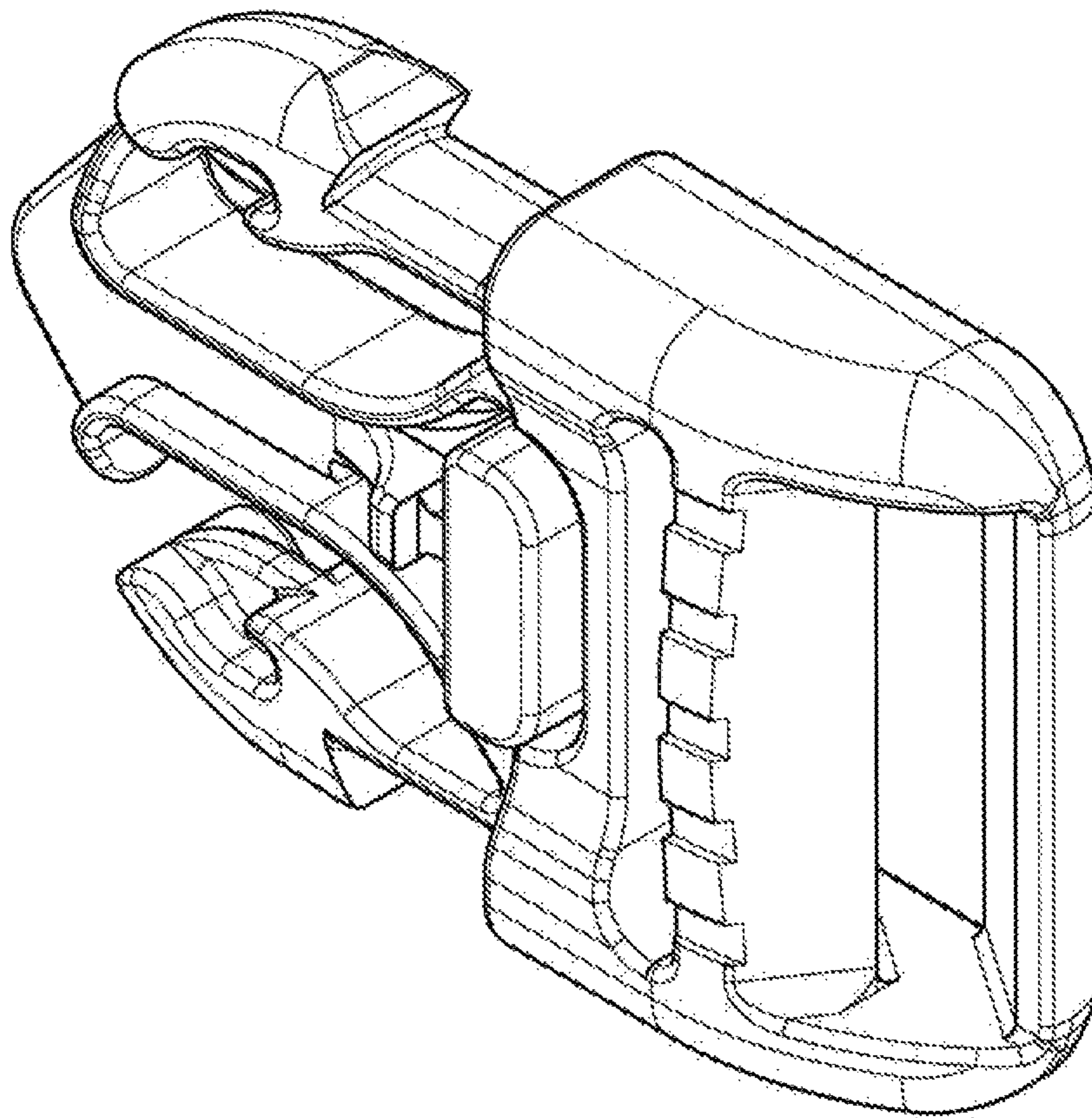


Fig. 24

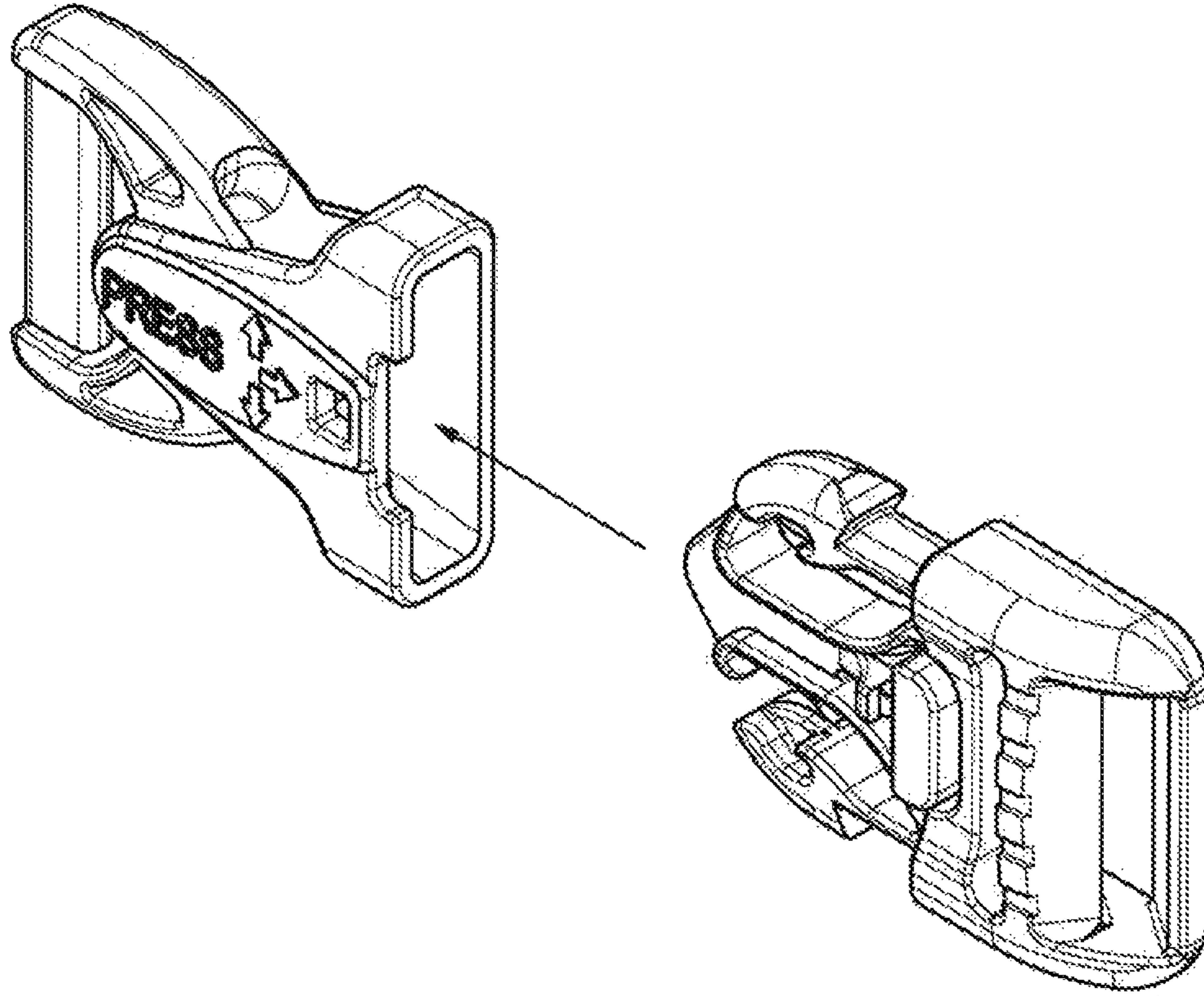


Fig. 25

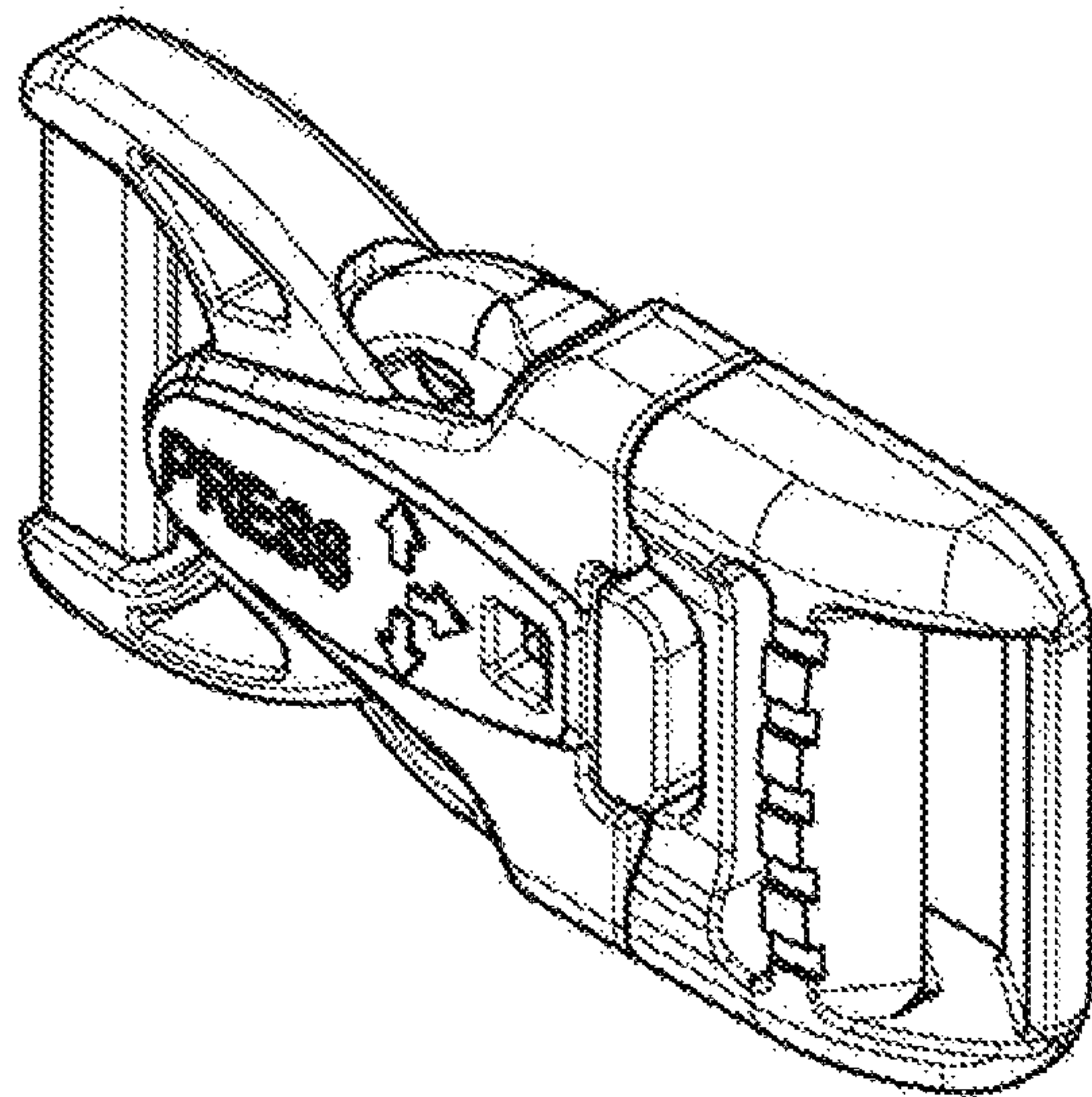


Fig. 26