



US00D868621S

(12) **United States Design Patent** (10) **Patent No.:** **US D868,621 S**  
**Diller et al.** (45) **Date of Patent:** **\*\* Dec. 3, 2019**

- (54) **PLANTING POT TRAY**
- (71) Applicant: **East Jordan Plastics, Inc.**, East Jordan, MI (US)
- (72) Inventors: **Scott P. Diller**, East Jordan, MI (US); **Mark S. Lercel**, East Jordan, MI (US)
- (73) Assignee: **East Jordan Plastics, Inc.**, East Jordan, MI (US)

- D322,707 S \* 12/1991 Iverson ..... D11/156
- D323,415 S \* 1/1992 Iverson ..... D11/156
- D323,416 S \* 1/1992 Iverson ..... D11/156
- 7,454,864 B2 11/2008 Smith et al.
- D606,422 S \* 12/2009 Schmidt ..... D3/313
- 7,673,417 B2 3/2010 Smith et al.
- D619,860 S \* 7/2010 Kulzer ..... D7/553.2
- 7,818,918 B2 10/2010 Smith et al.
- D628,450 S \* 12/2010 Kulzer ..... D7/553.2
- D643,266 S \* 8/2011 Kulzer ..... D7/553.2

(Continued)

(\*\*) Term: **15 Years**

(21) Appl. No.: **29/660,679**

(22) Filed: **Aug. 22, 2018**

**Related U.S. Application Data**

(63) Continuation of application No. 15/923,145, filed on Mar. 16, 2018.

(51) **LOC (12) Cl.** ..... **11-02**

(52) **U.S. Cl.**  
USPC ..... **D11/155**

(58) **Field of Classification Search**  
USPC ..... D3/304, 313, 309; D6/403-405, D6/556-558, 512, 672, 675, 675.1, 717; D7/640, 641, 400, 545, 701; D9/500, D9/549, 428, 532, 907, 424, 758; D11/143-156, 164  
CPC ..... A01G 9/02; A01G 9/021; A01G 9/022; A01G 9/025; A01G 9/026; A01G 9/028; A01G 9/029; A01G 9/0291; A01G 9/0293; A01G 9/0295; A01G 9/0297; A01G 9/0299; A01G 9/04; A01G 9/045  
See application file for complete search history.

(56) **References Cited**

**U.S. PATENT DOCUMENTS**

- 4,887,388 A \* 12/1989 Waltel, Jr. .... A01G 25/02 47/79
- 4,962,855 A \* 10/1990 Holmquist ..... B65D 1/36 206/423

**OTHER PUBLICATIONS**

2016 Product Catalog distributed by East Jordan Plastics, Inc. showing plant pots and trays.

*Primary Examiner* — Elizabeth A. Albert

(74) *Attorney, Agent, or Firm* — Gardner, Linn, Burkhardt & Ondersma LLP

(57) **CLAIM**

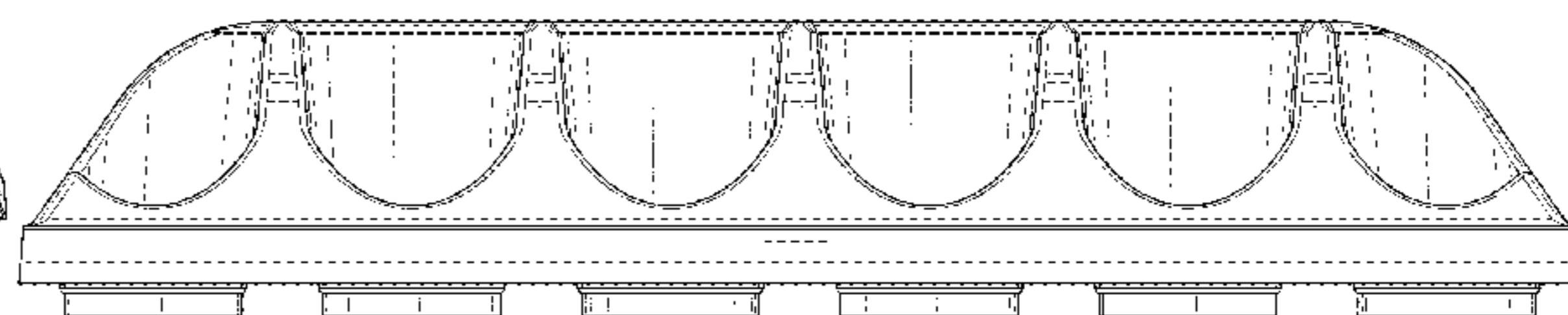
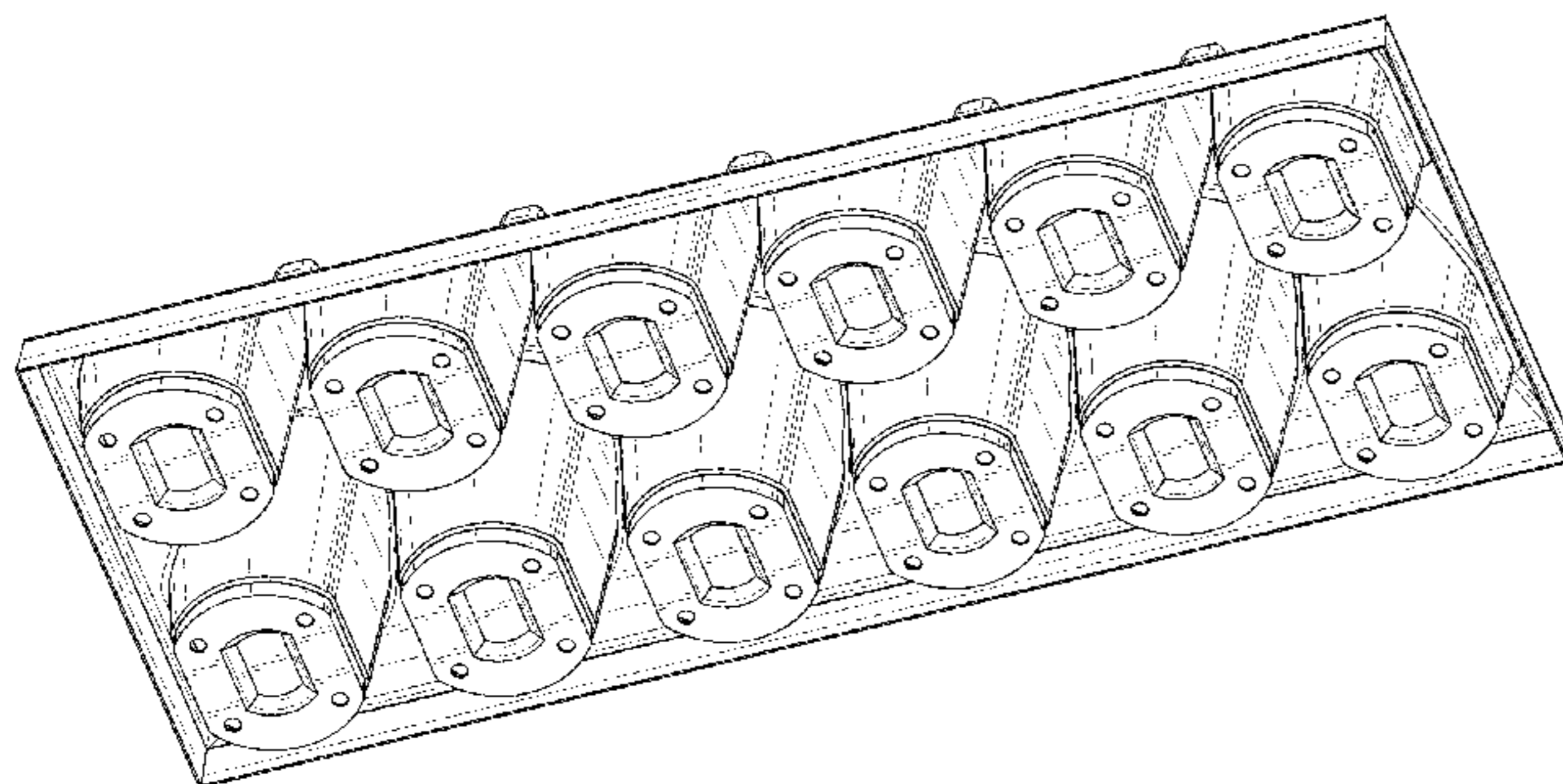
The ornamental design for the planting pot tray, as shown and described.

**DESCRIPTION**

FIG. 1 is a perspective view of a planting pot tray in accordance with the present invention showing the design in an environment of use with planting pots;  
FIG. 2 is a top perspective view of the planting pot tray;  
FIG. 3 is a bottom perspective view of the planting pot tray of FIG. 2;  
FIG. 4 is a side elevation view of the planting pot tray of FIG. 2;  
FIG. 5 is a front elevation view of the planting pot tray of FIG. 2; and,  
FIG. 6 is a top elevation view of the planting pot tray of FIG. 2.

The broken lines are for illustrative purposes only and form no part of the claimed design.

**1 Claim, 5 Drawing Sheets**



(56)

**References Cited**

U.S. PATENT DOCUMENTS

8,627,599 B2 \* 1/2014 Contillo, III ..... A01G 9/045  
47/87  
D700,053 S \* 2/2014 Chudleigh ..... D9/456  
D734,205 S 7/2015 DeYoung et al.  
D734,688 S 7/2015 DeYoung et al.  
9,338,948 B2 5/2016 DeYoung et al.  
D765,544 S 9/2016 DeYoung et al.  
D778,176 S \* 2/2017 Long ..... D9/757  
D826,644 S \* 8/2018 Bergeron ..... D7/553.1  
D853,795 S \* 7/2019 Bergeron ..... D7/553.2

\* cited by examiner

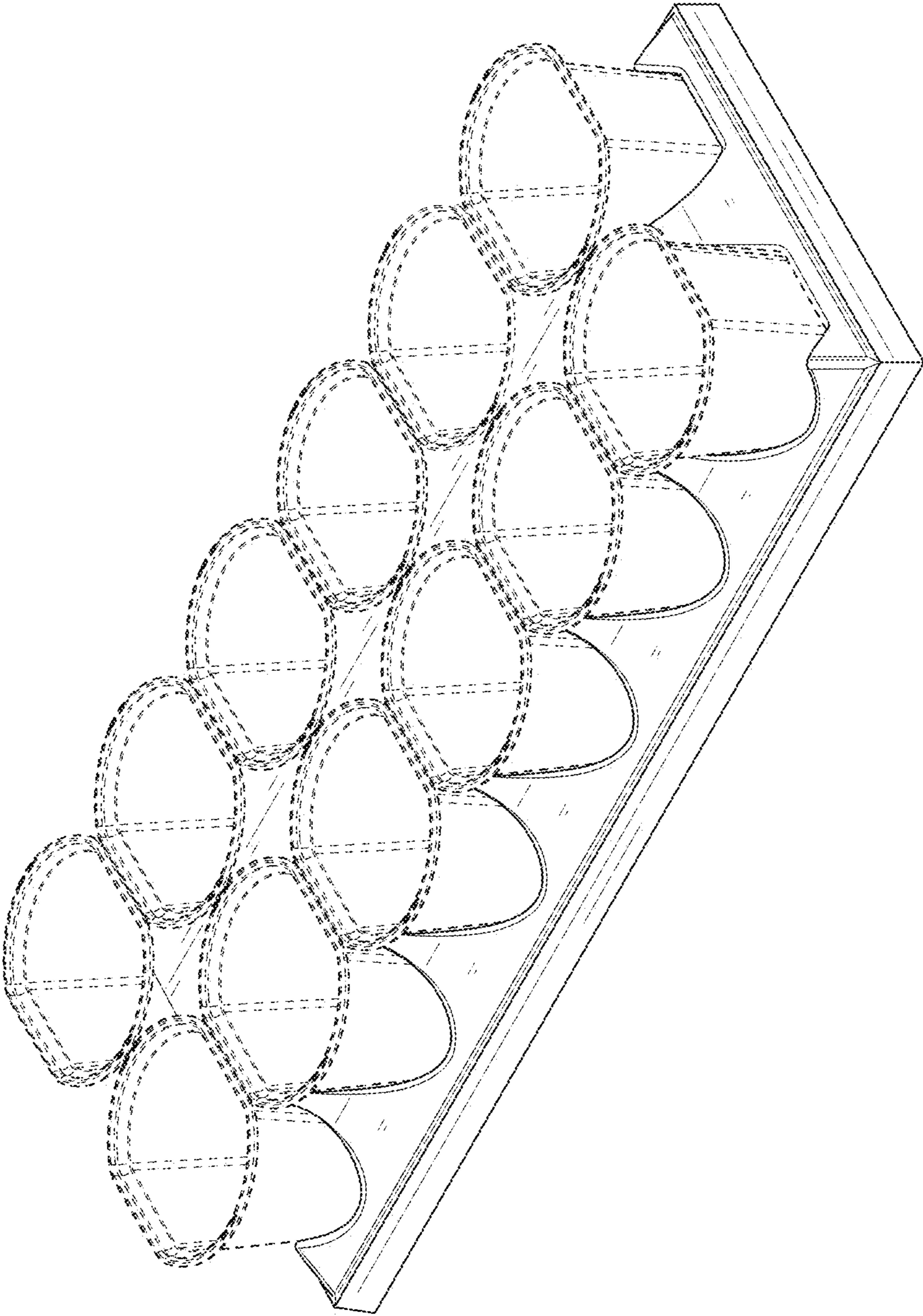


FIG. 1

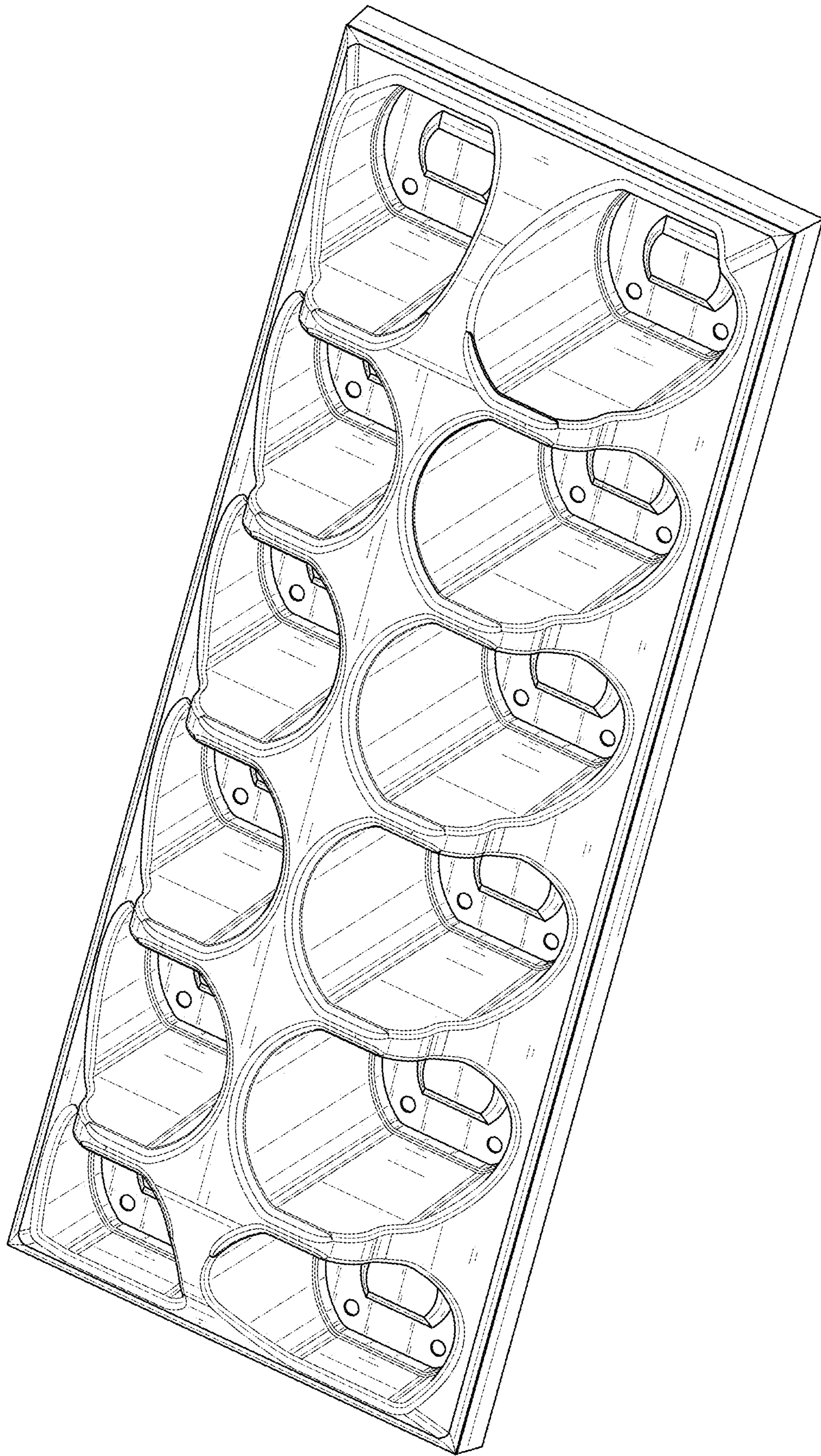


FIG. 2

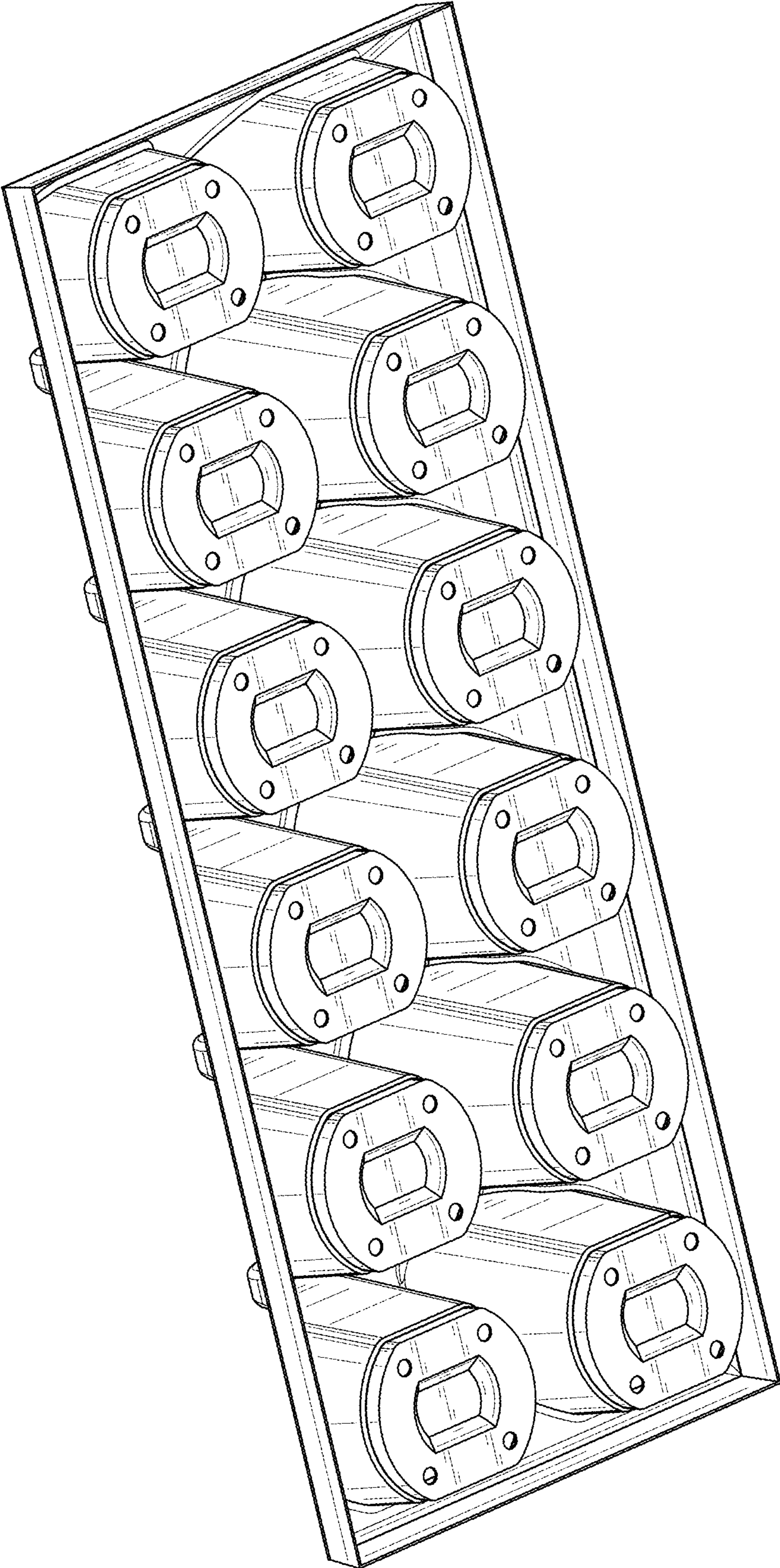


FIG. 3

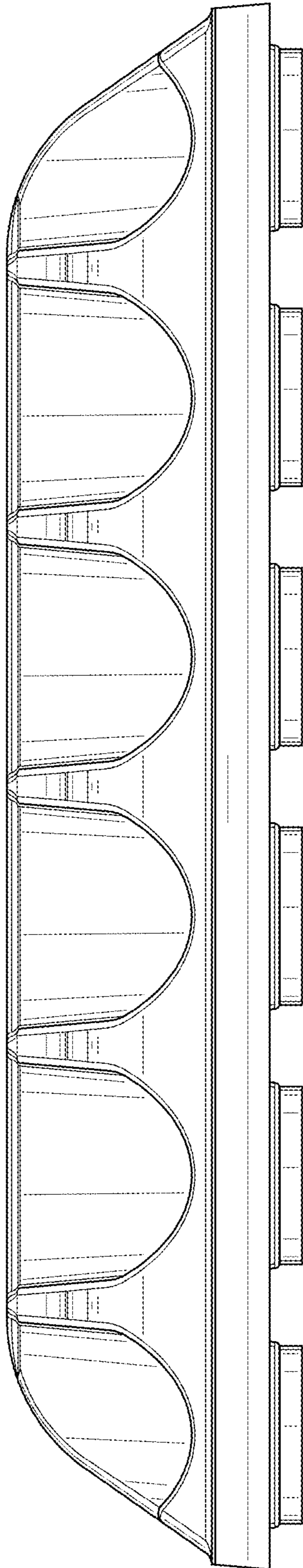


FIG. 4

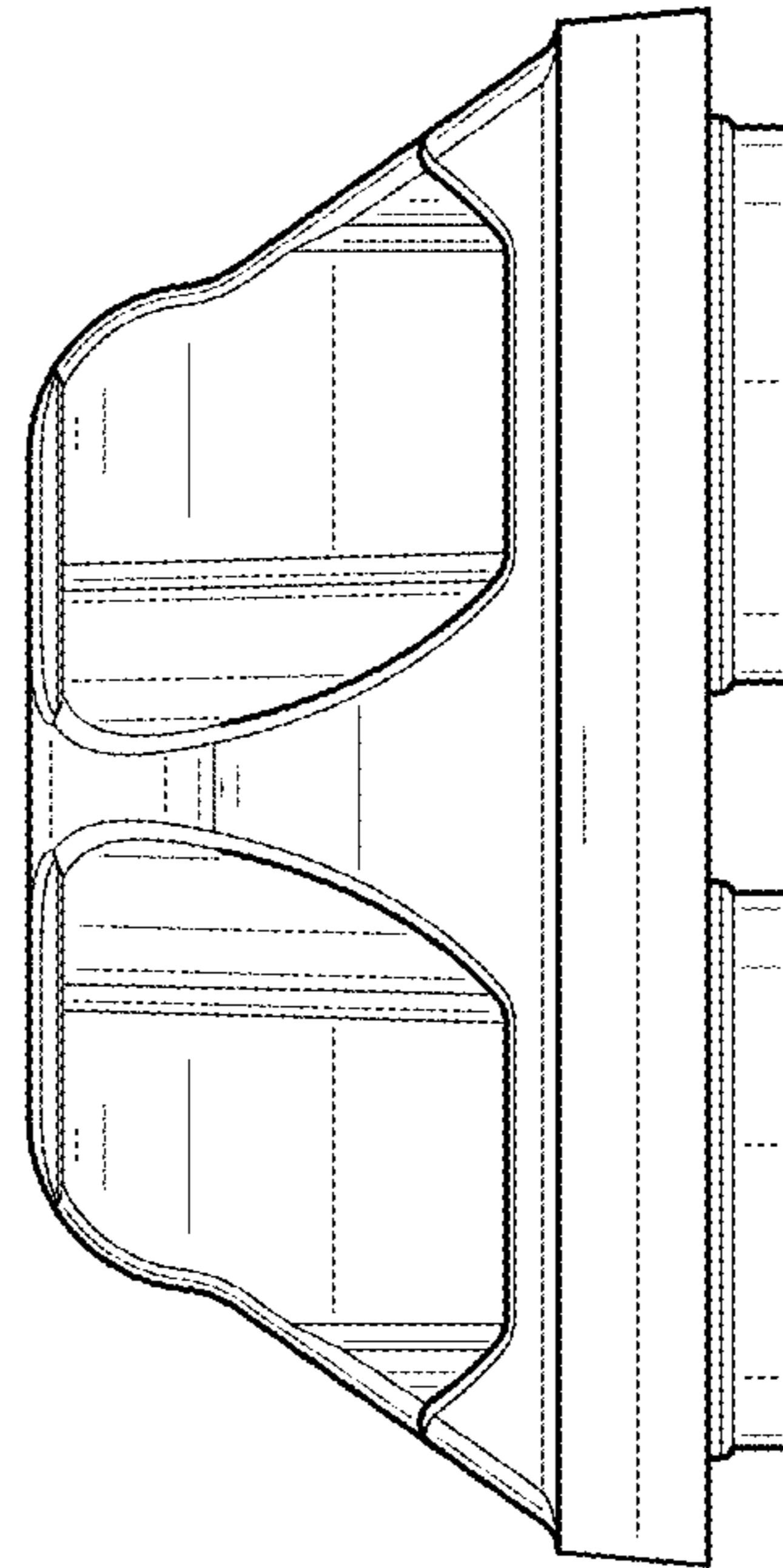


FIG. 5

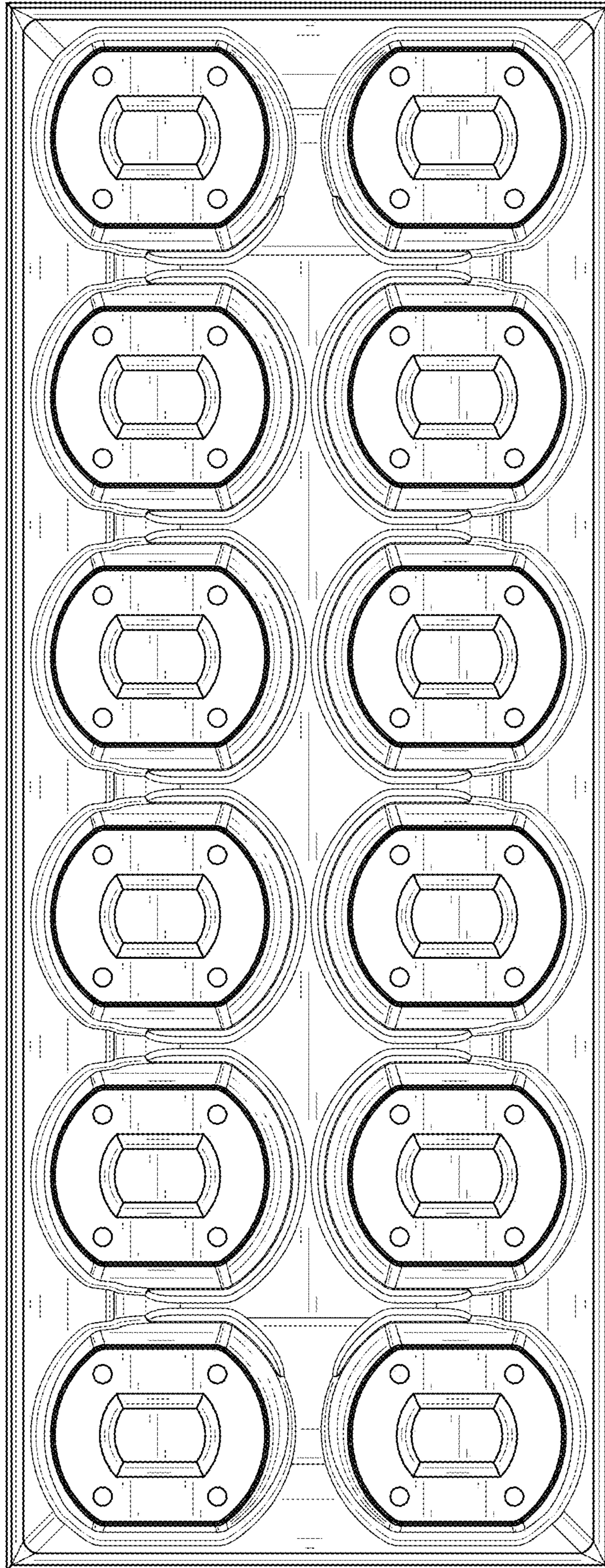


FIG. 6