



US00D868619S

(12) **United States Design Patent**
Fohr

(10) **Patent No.:** **US D868,619 S**

(45) **Date of Patent:** **** Dec. 3, 2019**

(54) **FLOWER POT**
(71) Applicant: **Westerwlder Blumentopffabrik Spang GmbH & Co. KG,**
Ransbach-Baumbach (DE)
(72) Inventor: **Christoph Fohr,** Ransbach-Baumbach (DE)
(73) Assignee: **Westerwlder Blumentopffabrik Spang GmbH & Co. KG,**
Ransbach-Baumbach (DE)
(**) Term: **15 Years**
(21) Appl. No.: **29/638,629**
(22) Filed: **Feb. 28, 2018**
(30) **Foreign Application Priority Data**

4,442,629 A * 4/1984 Anderson A01G 9/04
47/67
D286,249 S * 10/1986 Carlson D7/587
D313,203 S * 12/1990 Carlson 47/79
D322,047 S * 12/1991 Wolfenden D11/153
D352,479 S * 11/1994 Carlson 47/79
D453,094 S * 1/2002 Maggard D7/584
D509,106 S * 9/2005 de Grootte D7/587
D532,293 S * 11/2006 Martin D9/503
D569,763 S * 5/2008 Schmidt D11/152
D611,876 S * 3/2010 White D11/148
D639,706 S * 6/2011 Orschulik D11/151
D649,054 S * 11/2011 Sharma D7/630
D651,865 S * 1/2012 Smyers D7/584
D742,203 S * 11/2015 Thuma D8/356
9,237,692 B2 * 1/2016 Harbaugh A01G 9/02
D845,771 S * 4/2019 Davila Bracho D9/500
2005/0017013 A1 * 1/2005 Peisach B65D 1/26
220/609
2018/0014472 A1 * 1/2018 Guillory A01G 9/0295

* cited by examiner

Aug. 29, 2017 (EM) 004169738
(51) **LOC (12) Cl.** **11-02**
(52) **U.S. Cl.**
USPC **D11/152**
(58) **Field of Classification Search**
USPC D3/304, 313, 309; D6/403-405,
D6/556-558, 512, 672, 675, 675.1, 717;
D7/640, 641, 400, 545, 701; D9/500,
D9/549, 428, 532, 907, 424, 758;
D11/143-156, 164
CPC A01G 9/02; A01G 9/021; A01G 9/022;
A01G 9/025; A01G 9/026; A01G 9/028;
A01G 9/029; A01G 9/0291; A01G
9/0293; A01G 9/0295; A01G 9/0297;
A01G 9/0299; A01G 9/04; A01G 9/045
See application file for complete search history.

Primary Examiner — Elizabeth A. Albert
(74) *Attorney, Agent, or Firm* — Bachman & LaPointe,
PC

(57) **CLAIM**

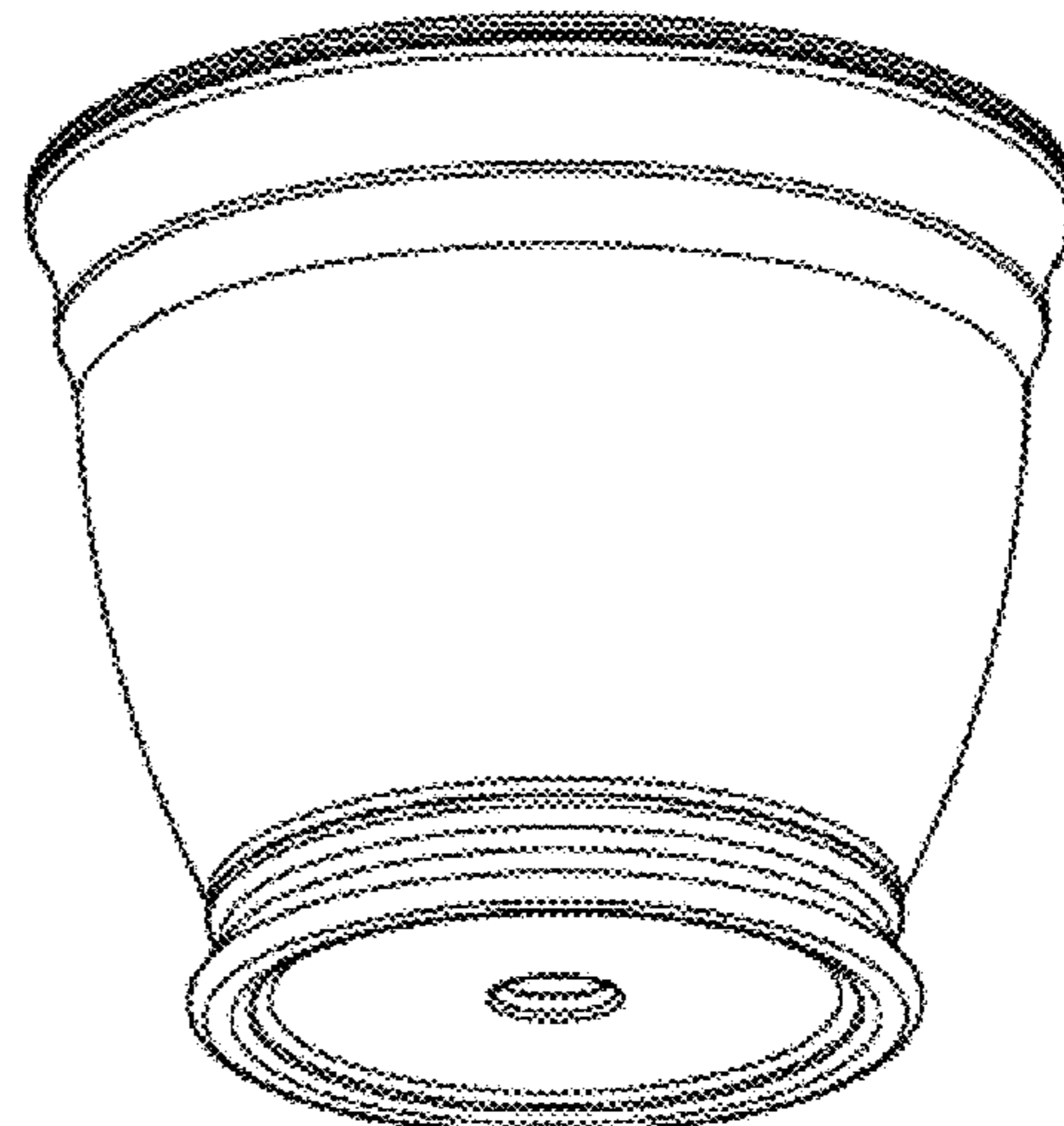
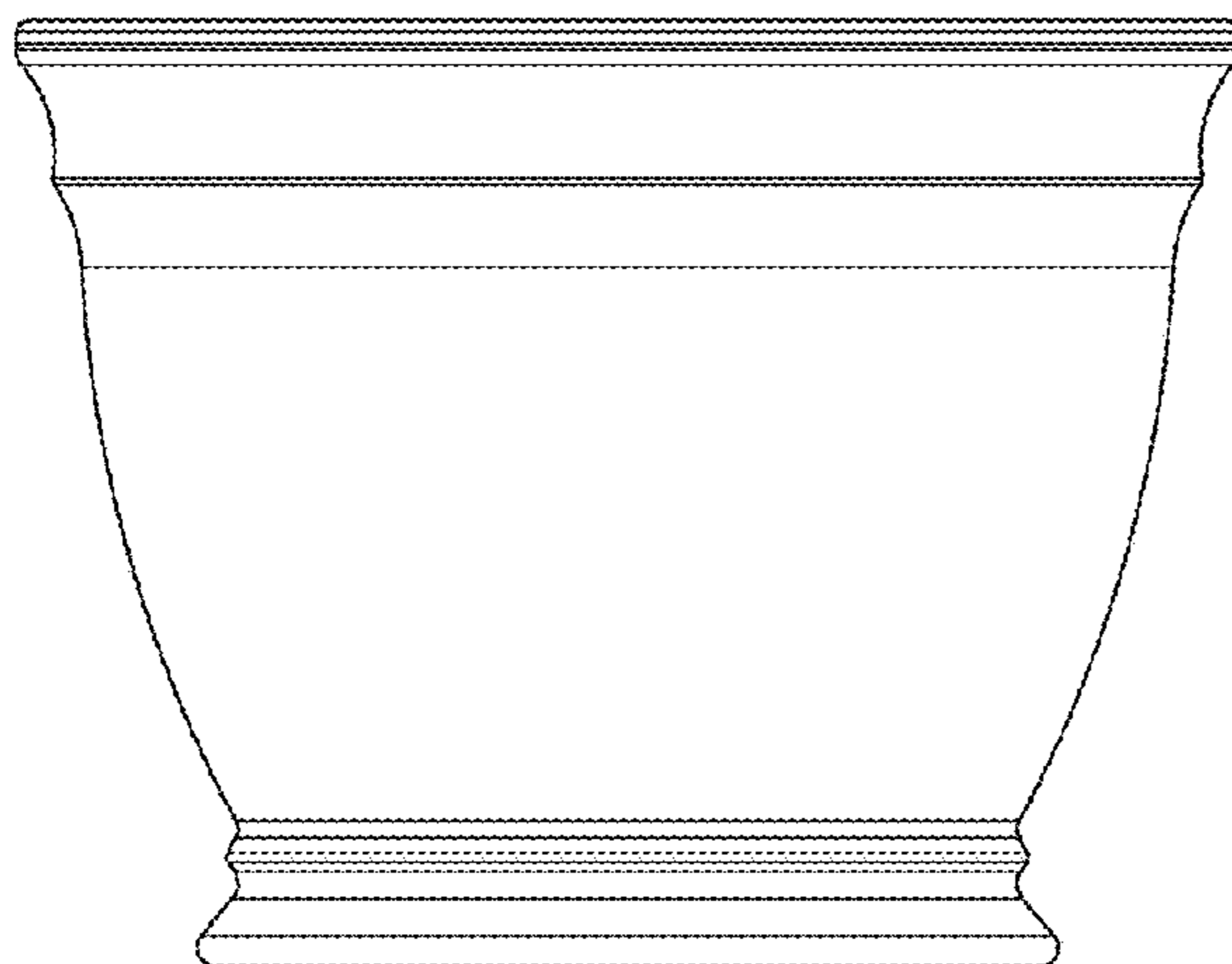
The ornamental design for flower pot, as shown and described.

DESCRIPTION

FIG. 1 is a perspective view of a flower pot showing my new design;
FIG. 2 is a side view of the design of FIG. 1;
FIG. 3 is a bottom view of the design of FIG. 1; and,
FIG. 4 is a top view of the design of FIG. 1.

1 Claim, 4 Drawing Sheets

(56) **References Cited**
U.S. PATENT DOCUMENTS
2,711,840 A * 6/1955 Gits B65D 43/0222
220/780
3,048,942 A * 8/1962 Boetticher A47G 7/03
47/41.13



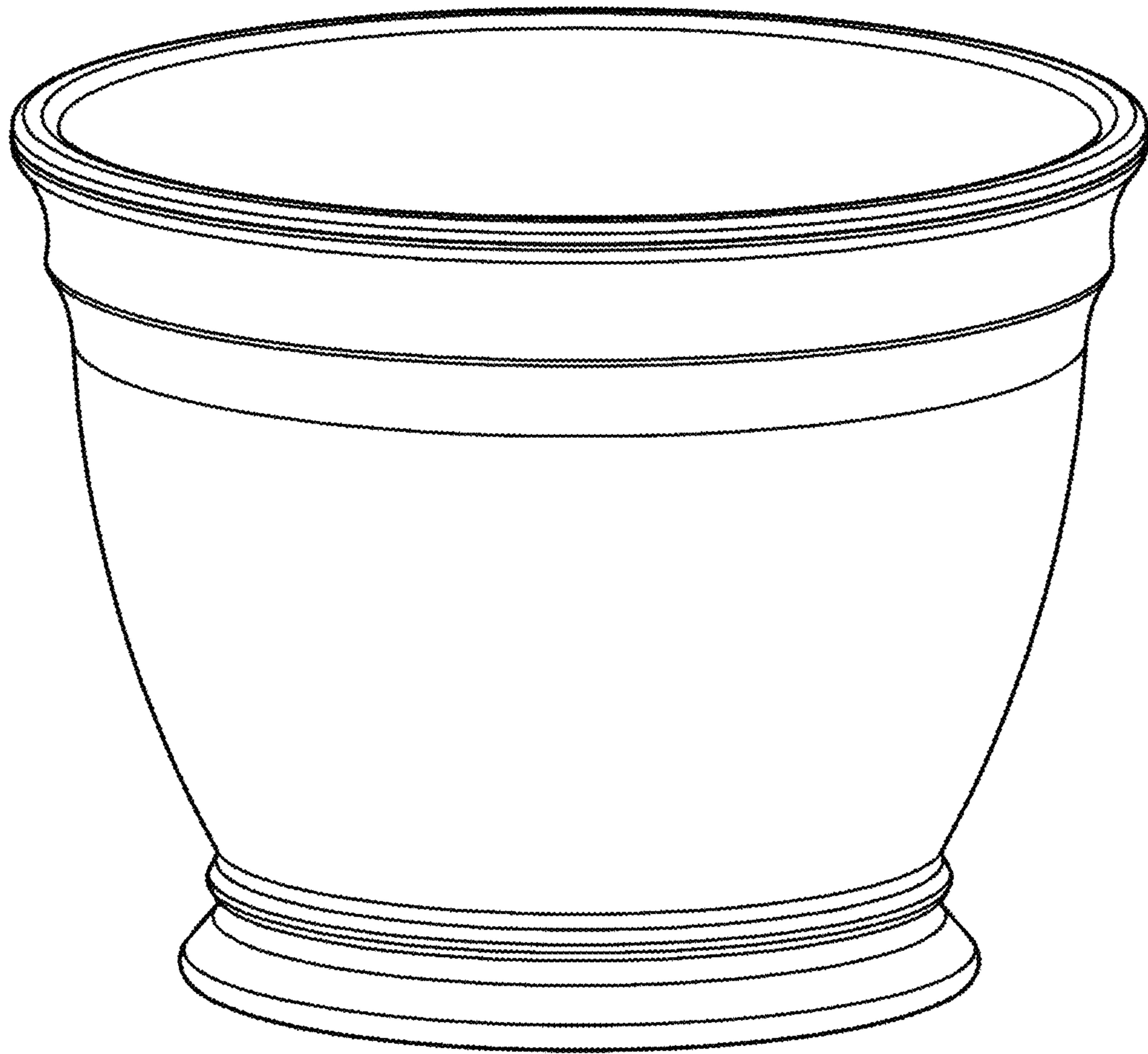


FIG. 1

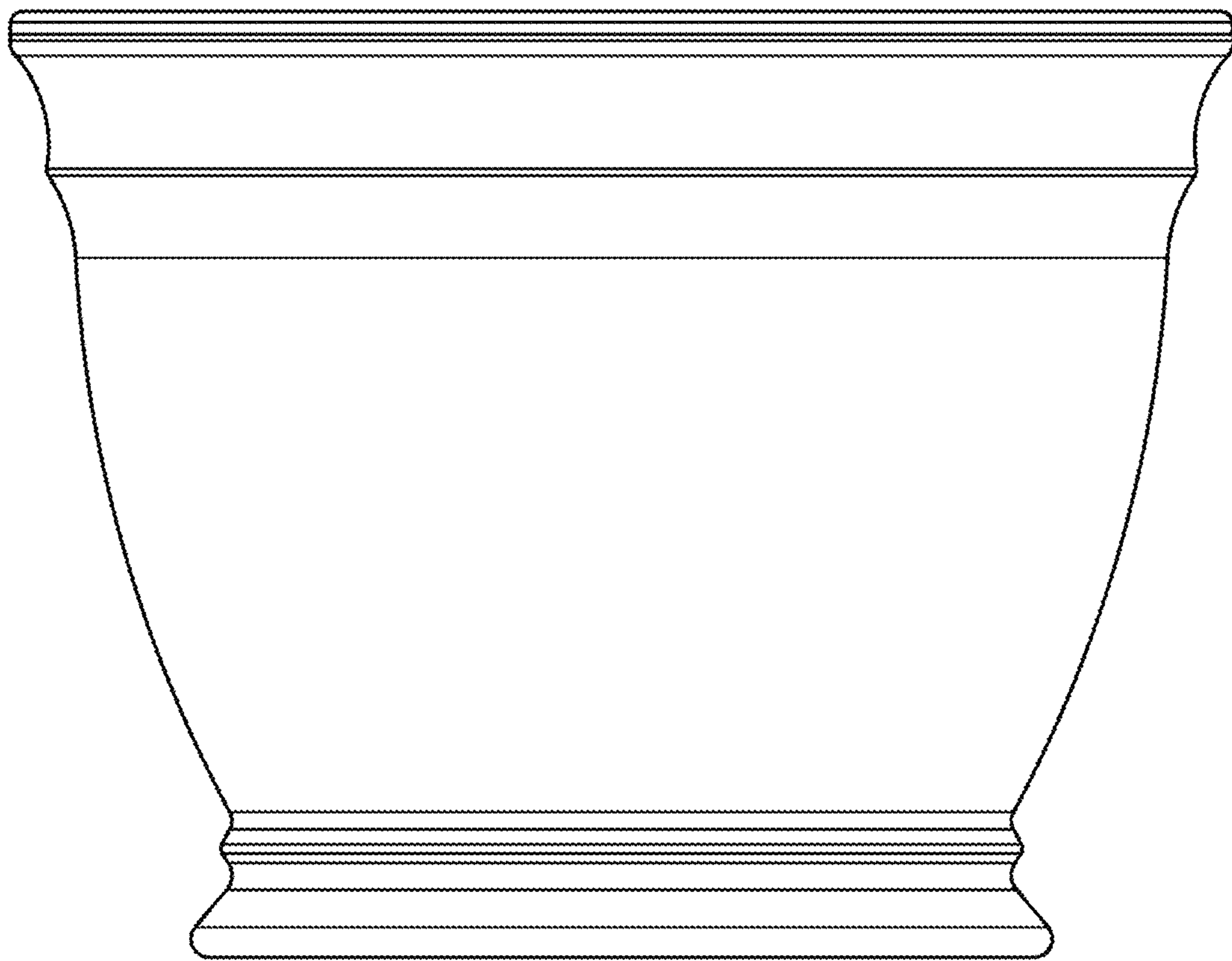


FIG. 2

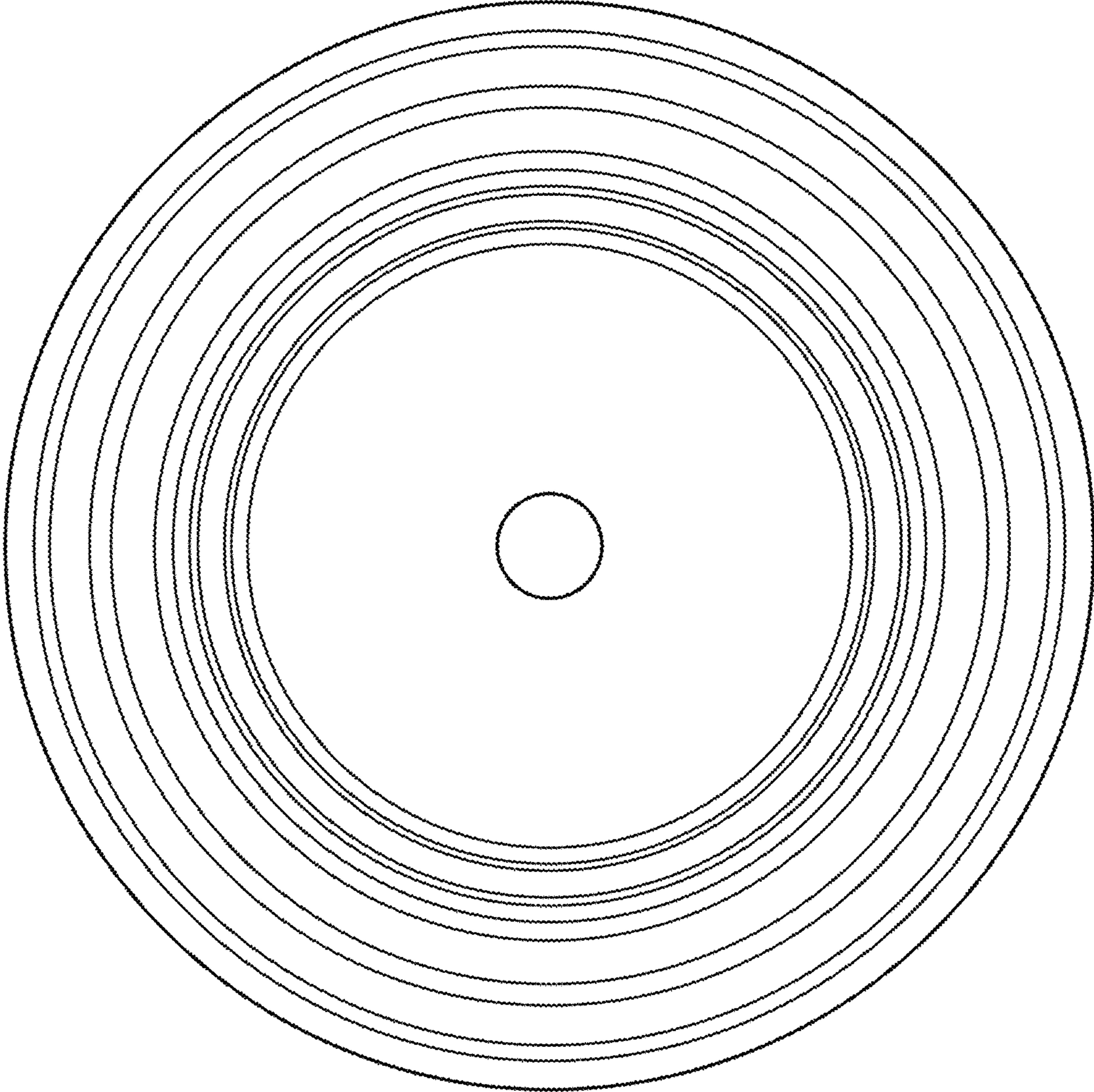


FIG. 3

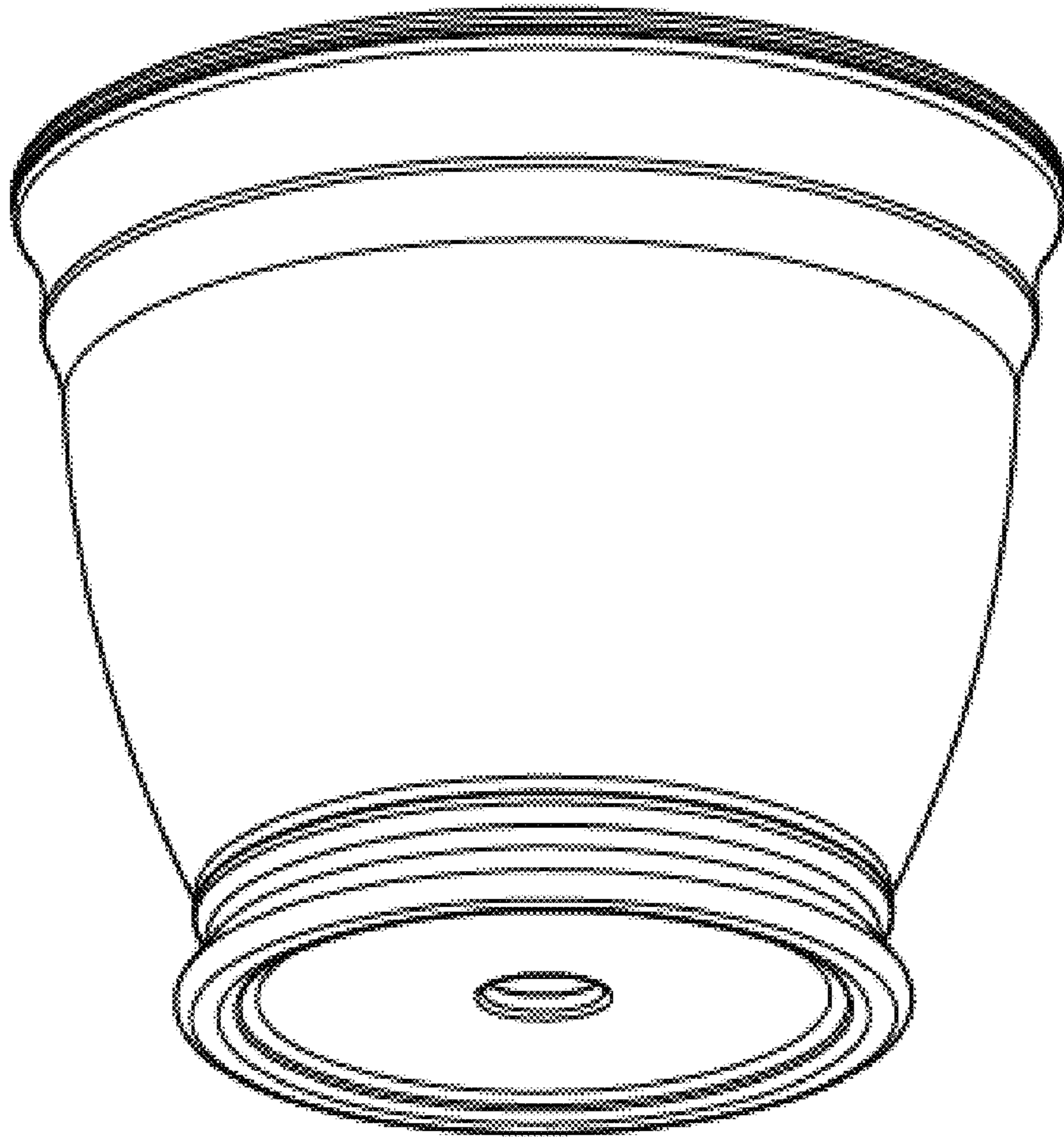


FIG. 4