



US00D868618S

(12) **United States Design Patent**
Craparo

(10) **Patent No.:** **US D868,618 S**

(45) **Date of Patent:** **** Dec. 3, 2019**

(54) **AMERICAN CIVILIAN AVIATION
REPAIRMAN AND MECHANIC WINGS**

(71) Applicant: **John Serafino Craparo**, Georgetown,
TX (US)

(72) Inventor: **John Serafino Craparo**, Georgetown,
TX (US)

(**) Term: **15 Years**

(21) Appl. No.: **29/649,162**

(22) Filed: **May 27, 2018**

(51) **LOC (12) Cl.** **11-03**

(52) **U.S. Cl.**
USPC **D11/107**

(58) **Field of Classification Search**
USPC D11/95-100, 105, 106, 108, 110, 116,
D11/132, 222, 226, 228, 233; D14/485,
D14/486; D2/828, 829; D8/387;
D99/27, 34

CPC A44C 7/00; A44C 7/002; H01H 13/70;
Y10S 273/30; A44B 1/14; A44B 1/02;
A44B 1/20; A44B 1/00

See application file for complete search history.

(56) **References Cited**

U.S. PATENT DOCUMENTS

D81,991 S * 9/1930 Pastore D11/233
D87,425 S * 7/1932 Bradley D11/107

D135,305 S * 3/1943 Bercker D11/107
D139,143 S * 10/1944 Kramer D10/32
D453,008 S * 1/2002 Mihail D11/107
D715,201 S * 10/2014 Lee D12/190
D721,764 S * 1/2015 Jo D20/23
D773,366 S * 12/2016 Alesi D12/193

OTHER PUBLICATIONS

American Civilian Repairman & Mechanics Wings reference [Jun. 25, 2019] found online [Jun. 25, 2019]—<https://civilwings.com/>.*

* cited by examiner

Primary Examiner — Lakiya G Rogers

Assistant Examiner — John A Voytek

(57) **CLAIM**

The ornamental design for American civilian aviation repairman and mechanic wings, as shown and described.

DESCRIPTION

FIG. 1 is a perspective view of one side and the front of the American civilian aviation repairman and mechanic wings of my new design;

FIG. 2 is a front elevation view thereof;

FIG. 3 is a top plan view thereof;

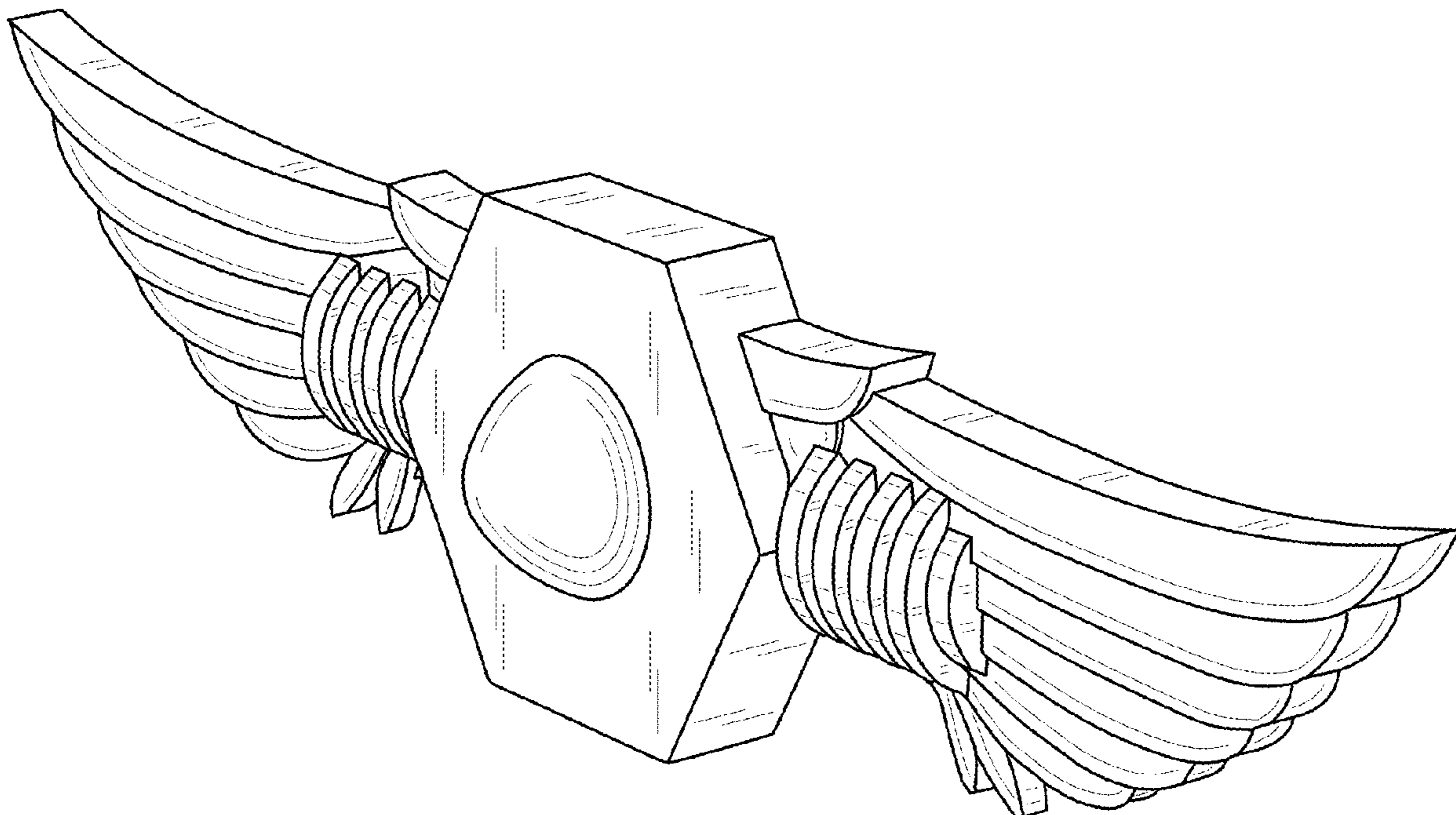
FIG. 4 is a bottom plan view thereof;

FIG. 5 is a left side elevation view thereof; and,

FIG. 6 is a right side elevation view thereof.

The rear view is plain and unornamented and forms no part of the claimed design.

1 Claim, 3 Drawing Sheets



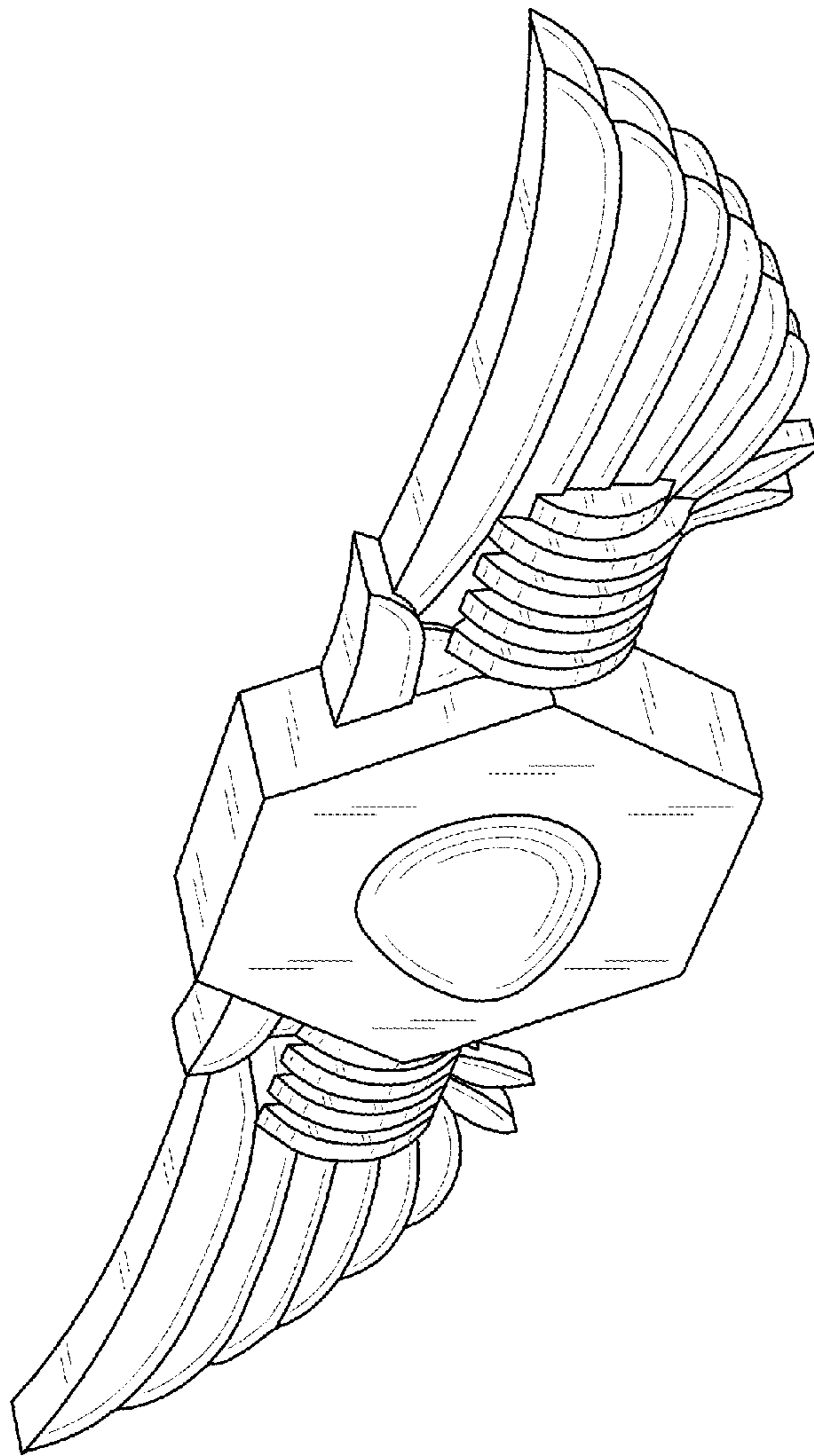


FIG. 1

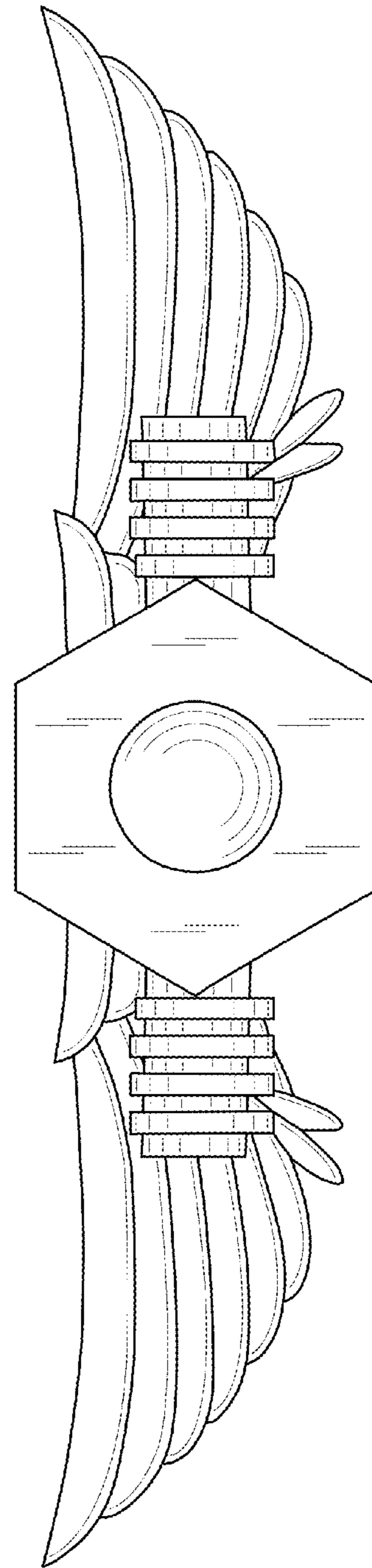


FIG. 2

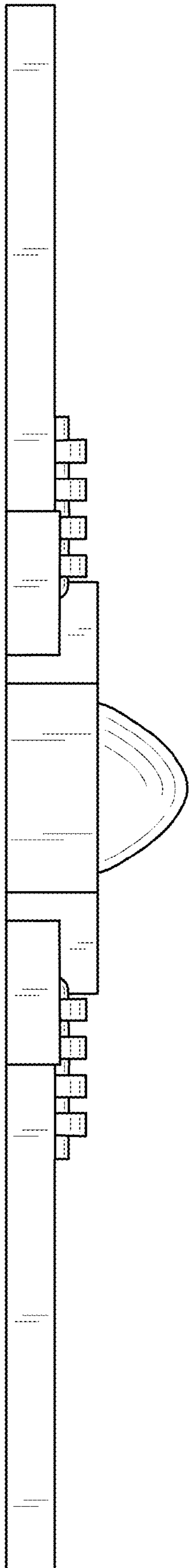


FIG. 3

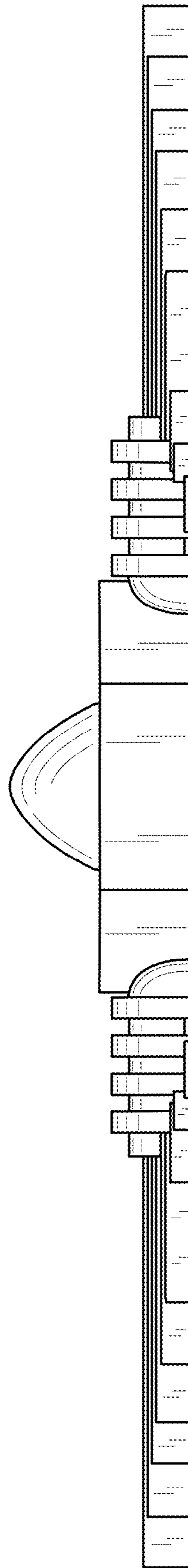


FIG. 4

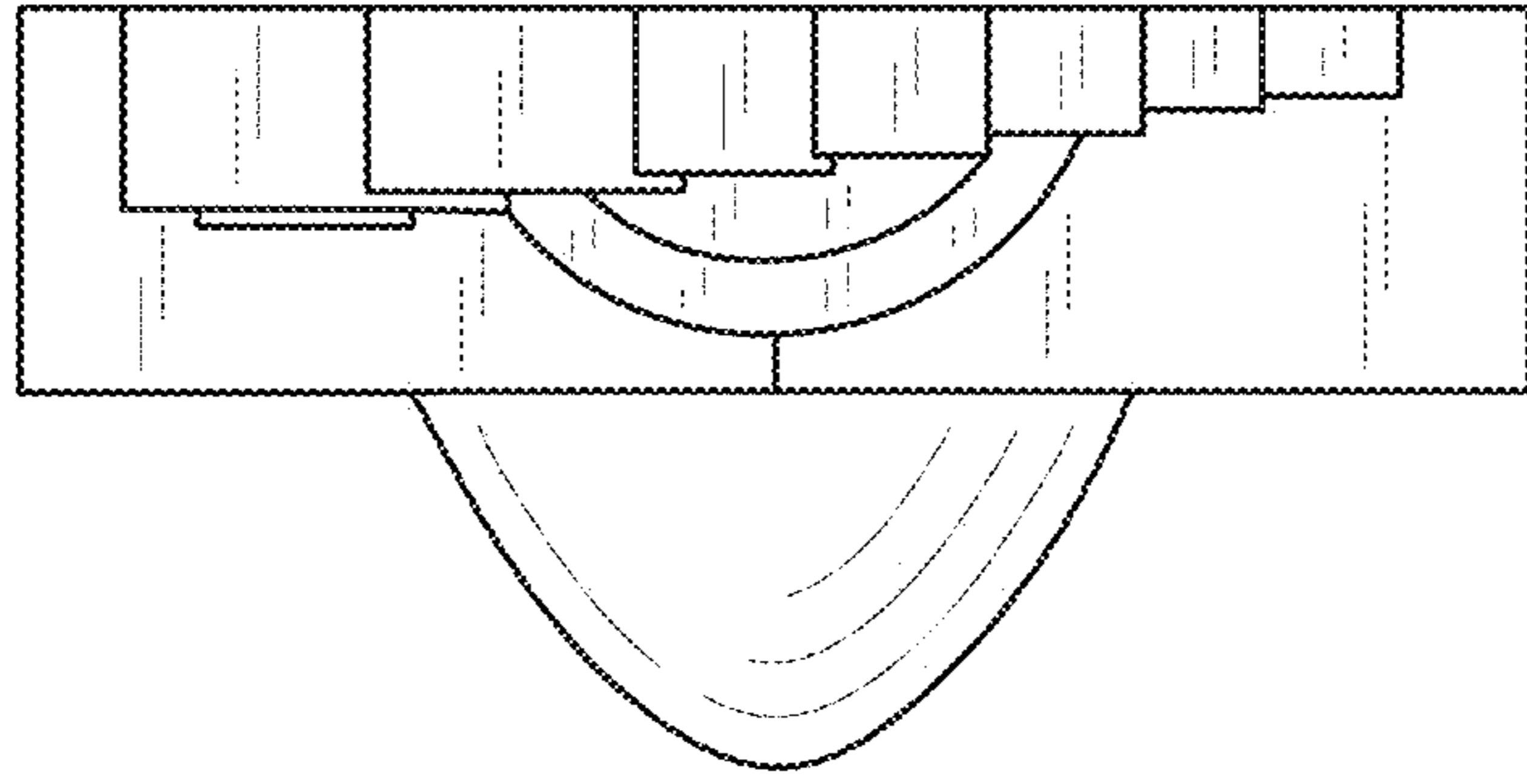


FIG. 6

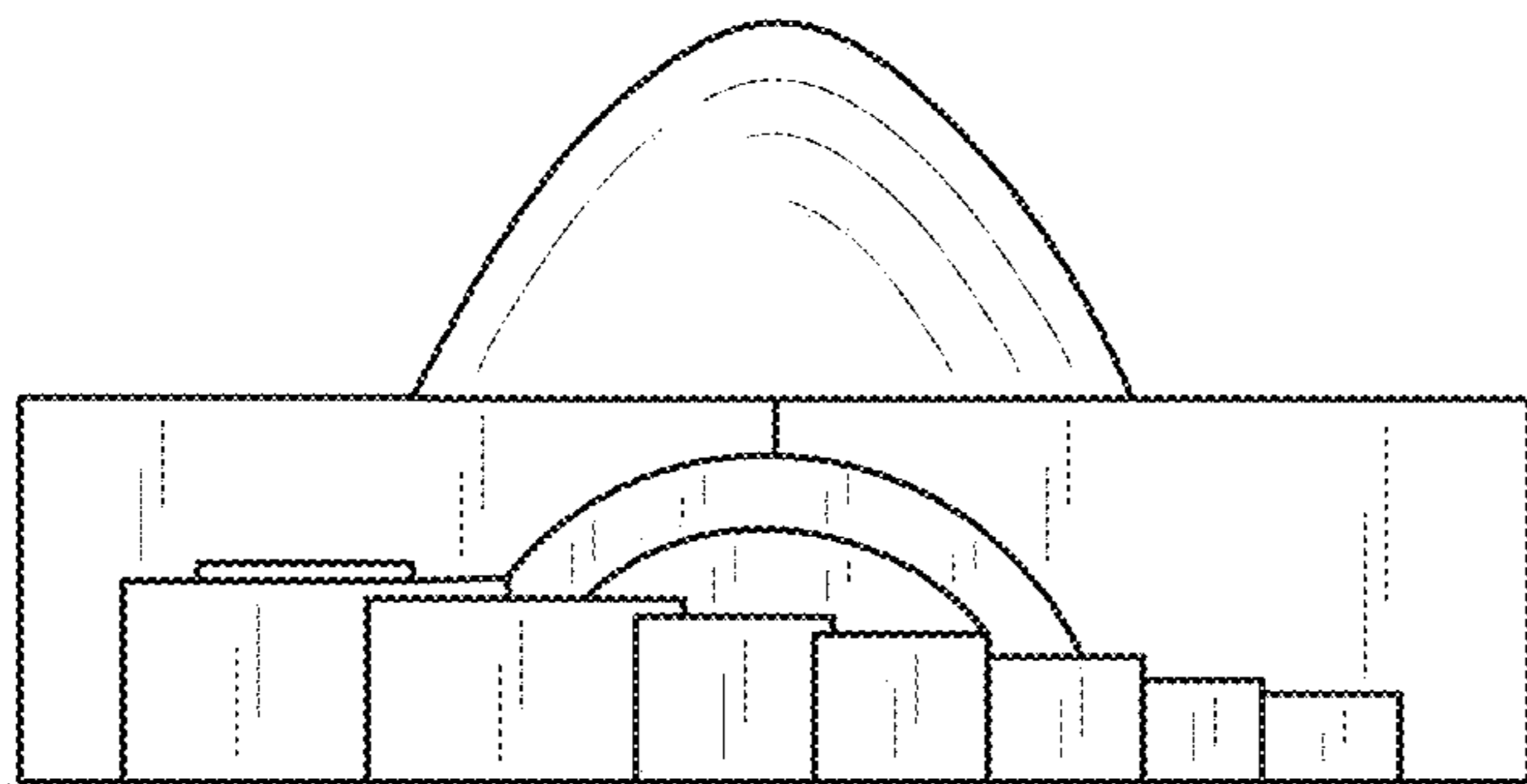


FIG. 5