



US00D868616S

(12) **United States Design Patent**  
**Deng**

(10) **Patent No.:** **US D868,616 S**

(45) **Date of Patent:** **\*\* Dec. 3, 2019**

(54) **WATCH BUCKLE**

(71) Applicant: **Shenzhen Bailinniao Technology Co., Ltd.**, Shenzhen, Guangdong (CN)

(72) Inventor: **Jianjie Deng**, Guangxi (CN)

(\*\*) Term: **15 Years**

(21) Appl. No.: **29/703,343**

(22) Filed: **Aug. 27, 2019**

(51) **LOC (12) Cl.** ..... **11-01**

(52) **U.S. Cl.**  
USPC ..... **D11/94**

(58) **Field of Classification Search**

USPC ..... D11/94, 201, 231, 230; D10/30-32  
CPC .... A44C 5/00; A44C 5/14; A44C 5/18; A44C  
5/147; A44C 5/185; A44B 11/00; A44B  
11/10; A44B 11/24; A44B 11/04; A44B  
11/06; A44B 11/006

See application file for complete search history.

(56) **References Cited**

**U.S. PATENT DOCUMENTS**

D246,488 S \* 11/1977 Zimmerman ..... D11/231  
D256,402 S \* 8/1980 Okura ..... D10/31

D353,347 S \* 12/1994 St. Dizier ..... D11/94  
D470,791 S \* 2/2003 Modolo ..... D11/94  
D480,989 S 10/2003 Modolo  
D535,916 S \* 1/2007 Mouquet ..... D11/231  
D619,928 S \* 7/2010 Bodino ..... D11/231  
D721,986 S \* 2/2015 Cerrato ..... D11/94

\* cited by examiner

*Primary Examiner* — Zenia I Bennett

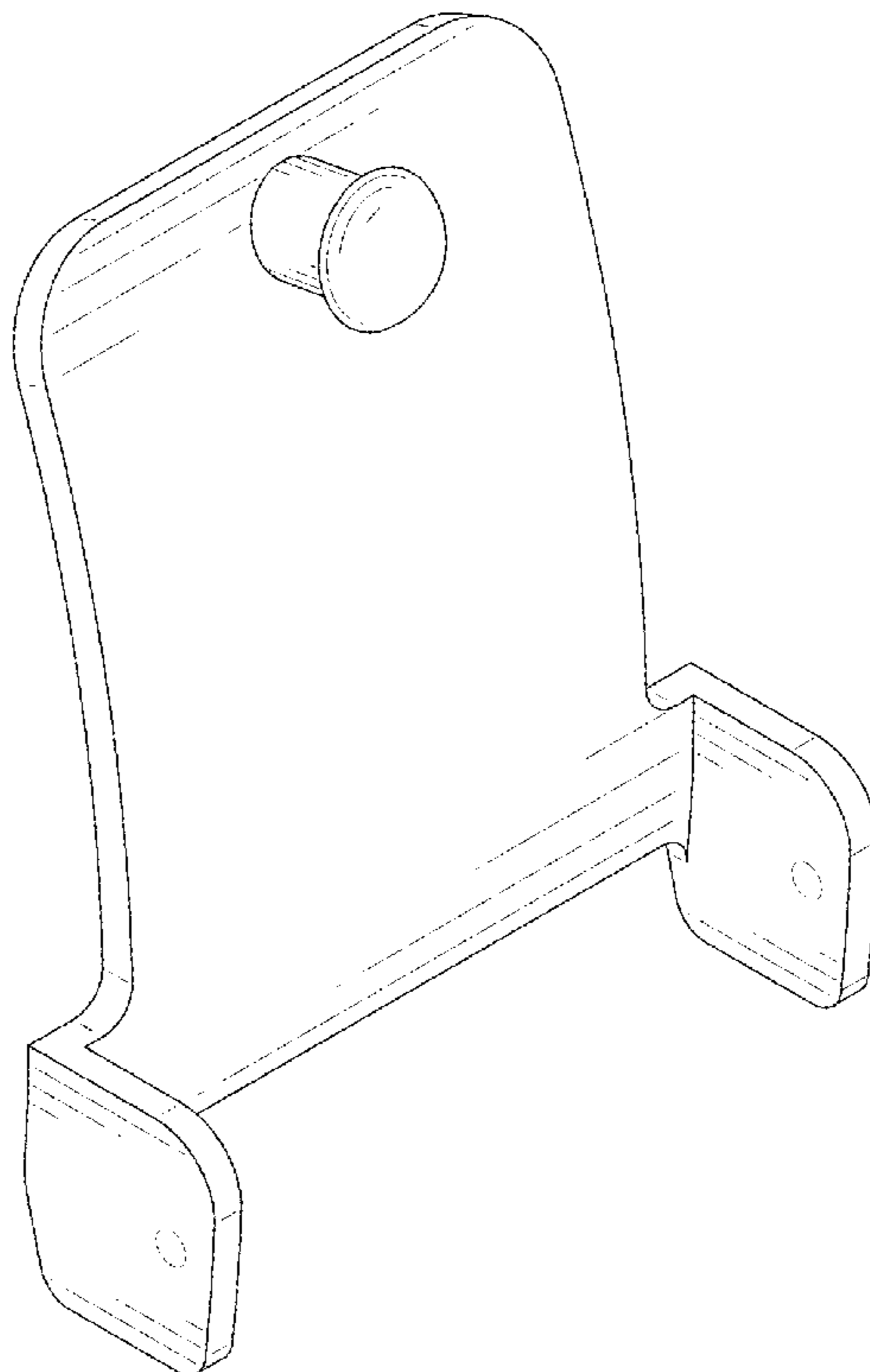
(57) **CLAIM**

The ornamental design for a watch buckle, as shown and described.

**DESCRIPTION**

FIG. 1 is a front and top perspective view of a watch buckle, showing my new design;  
FIG. 2 is a rear and bottom perspective view thereof;  
FIG. 3 is a front elevational view thereof;  
FIG. 4 is a rear elevational view thereof;  
FIG. 5 is a left side elevational view thereof;  
FIG. 6 is a right side elevational view thereof;  
FIG. 7 is a top plan view thereof; and,  
FIG. 8 is a bottom plan view thereof.  
The broken lines in the figures illustrate portions of the watch buckle that form no part of the claimed design.

**1 Claim, 8 Drawing Sheets**



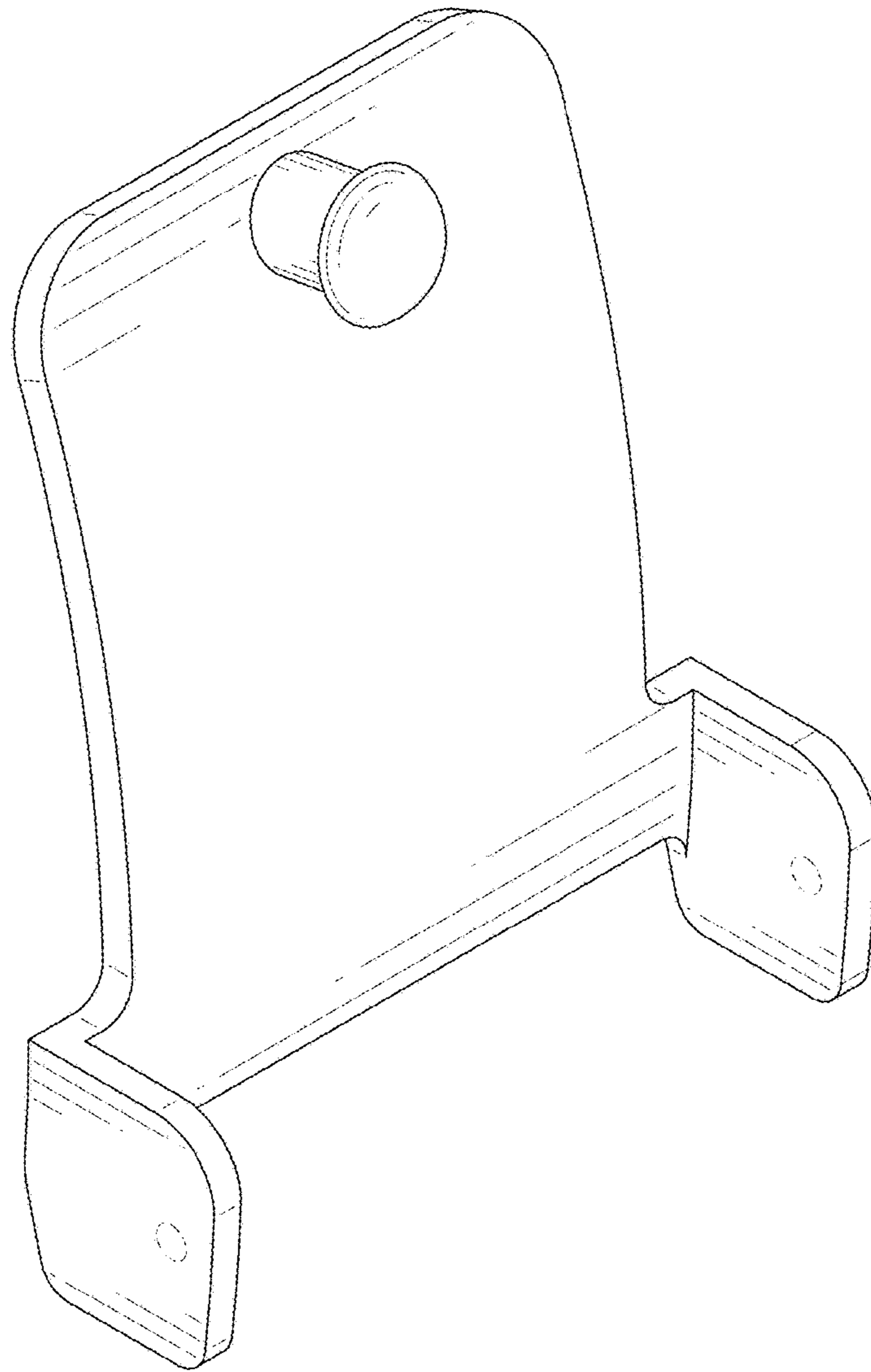


FIG. 1

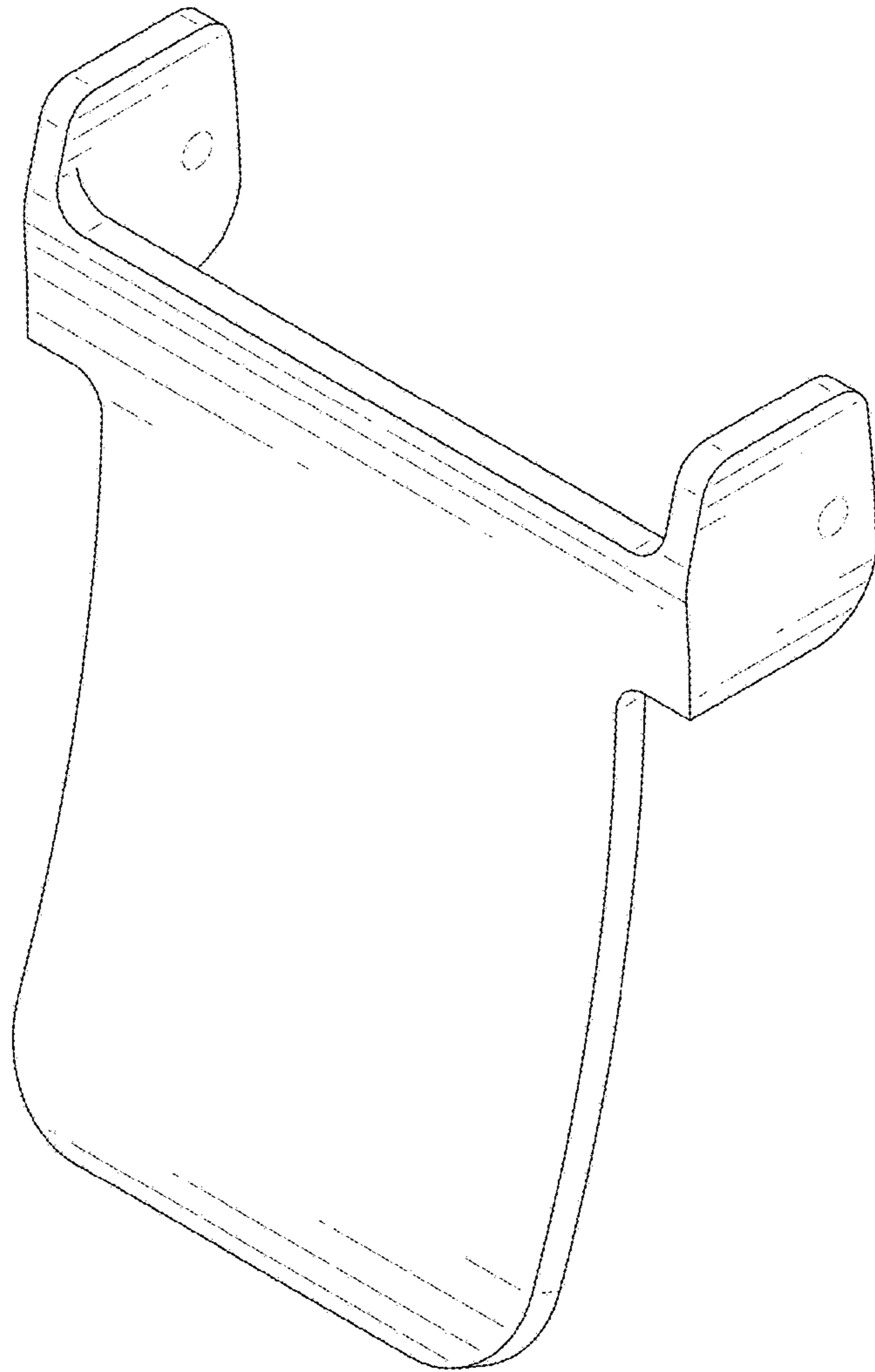


FIG. 2

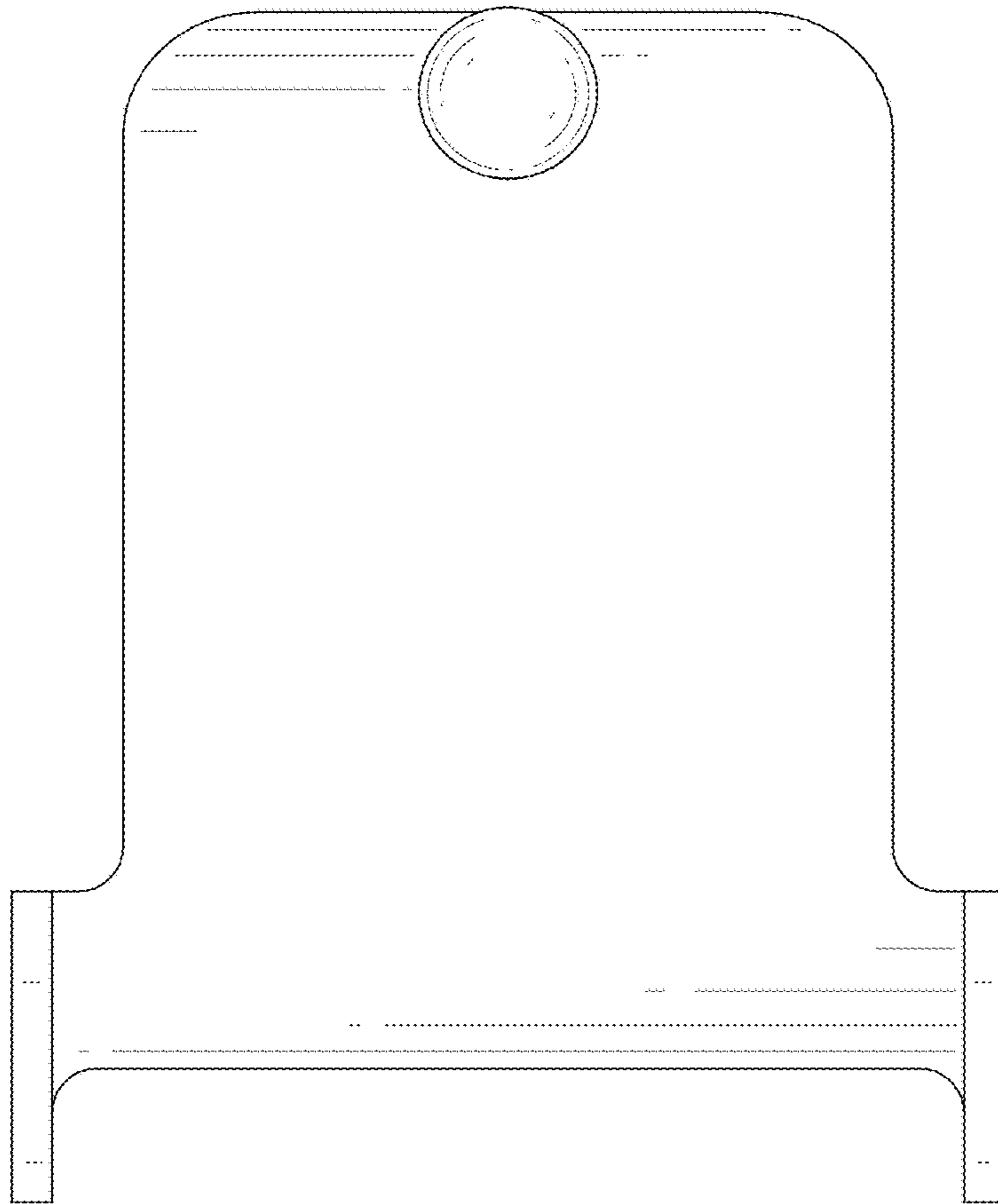


FIG. 3

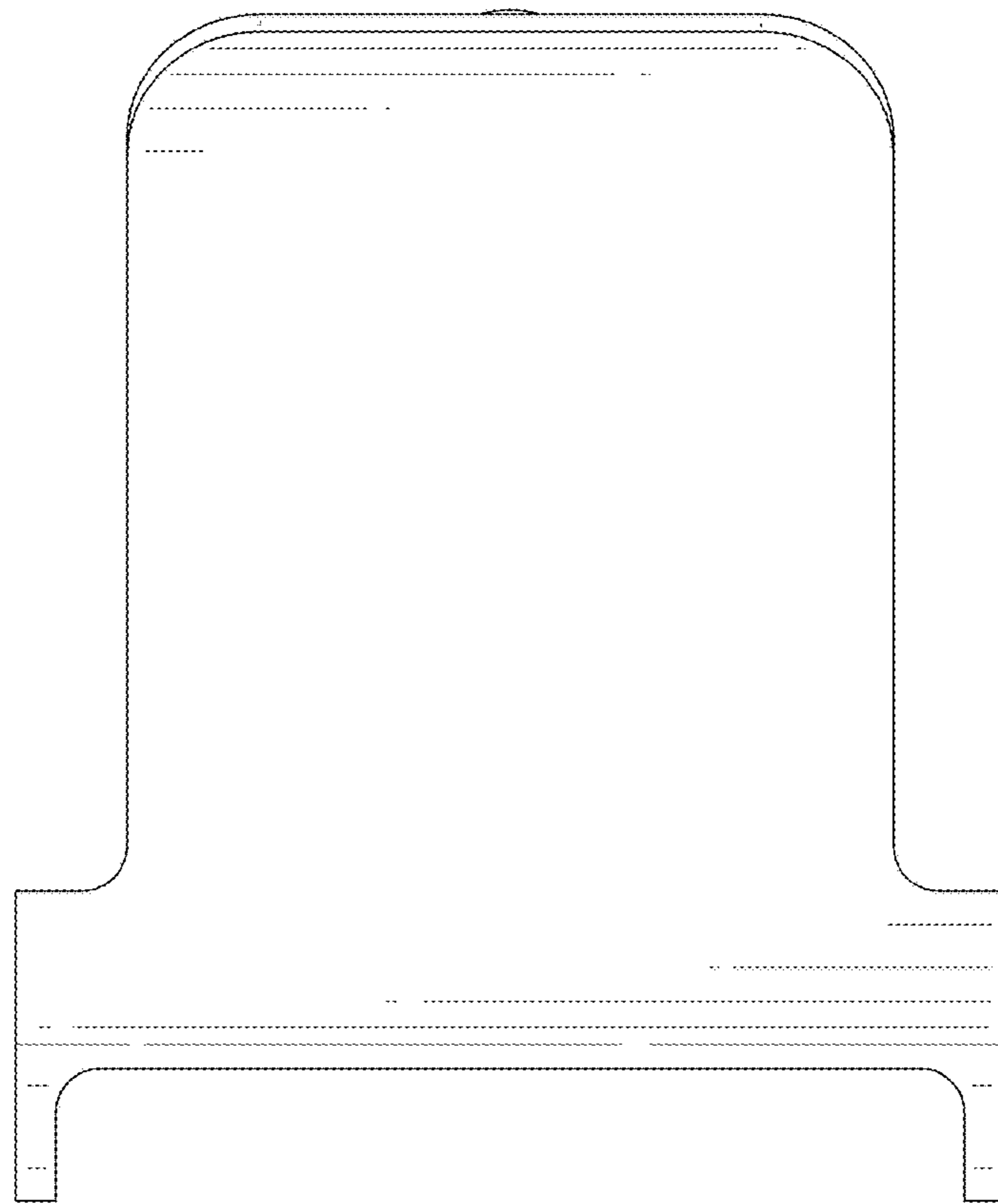


FIG. 4

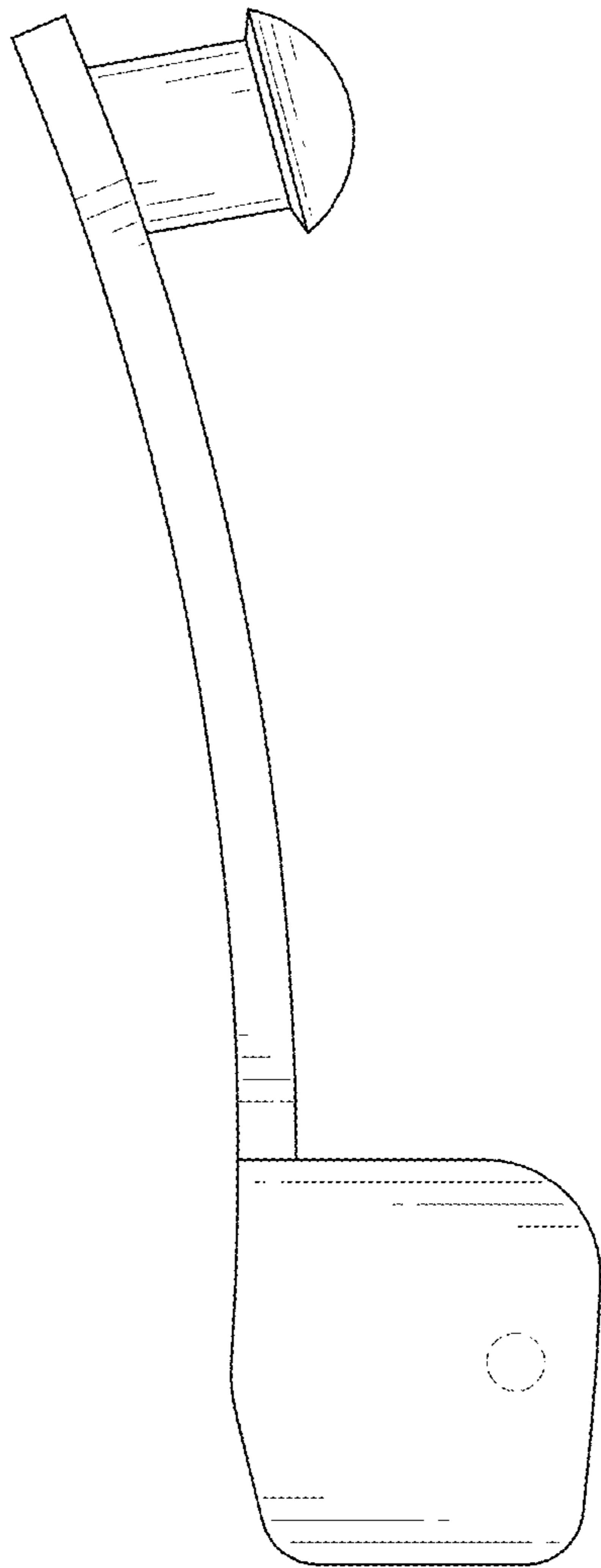


FIG. 5

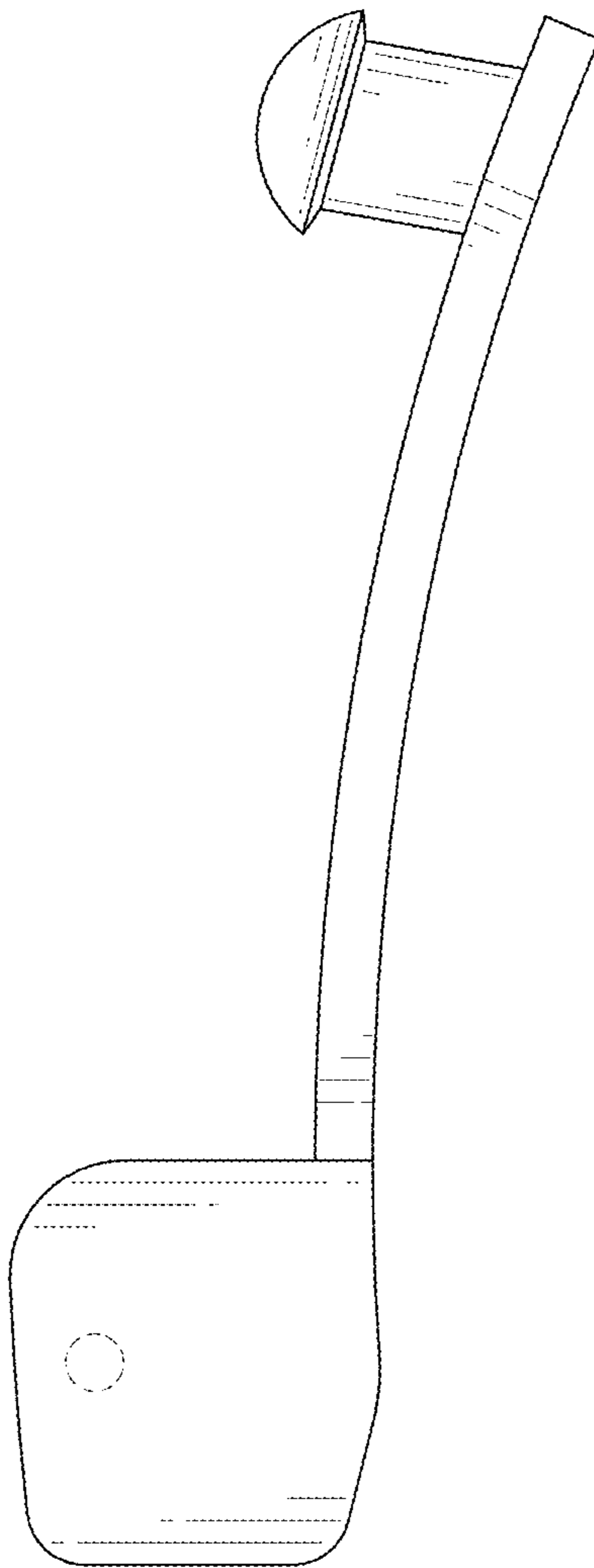


FIG. 6

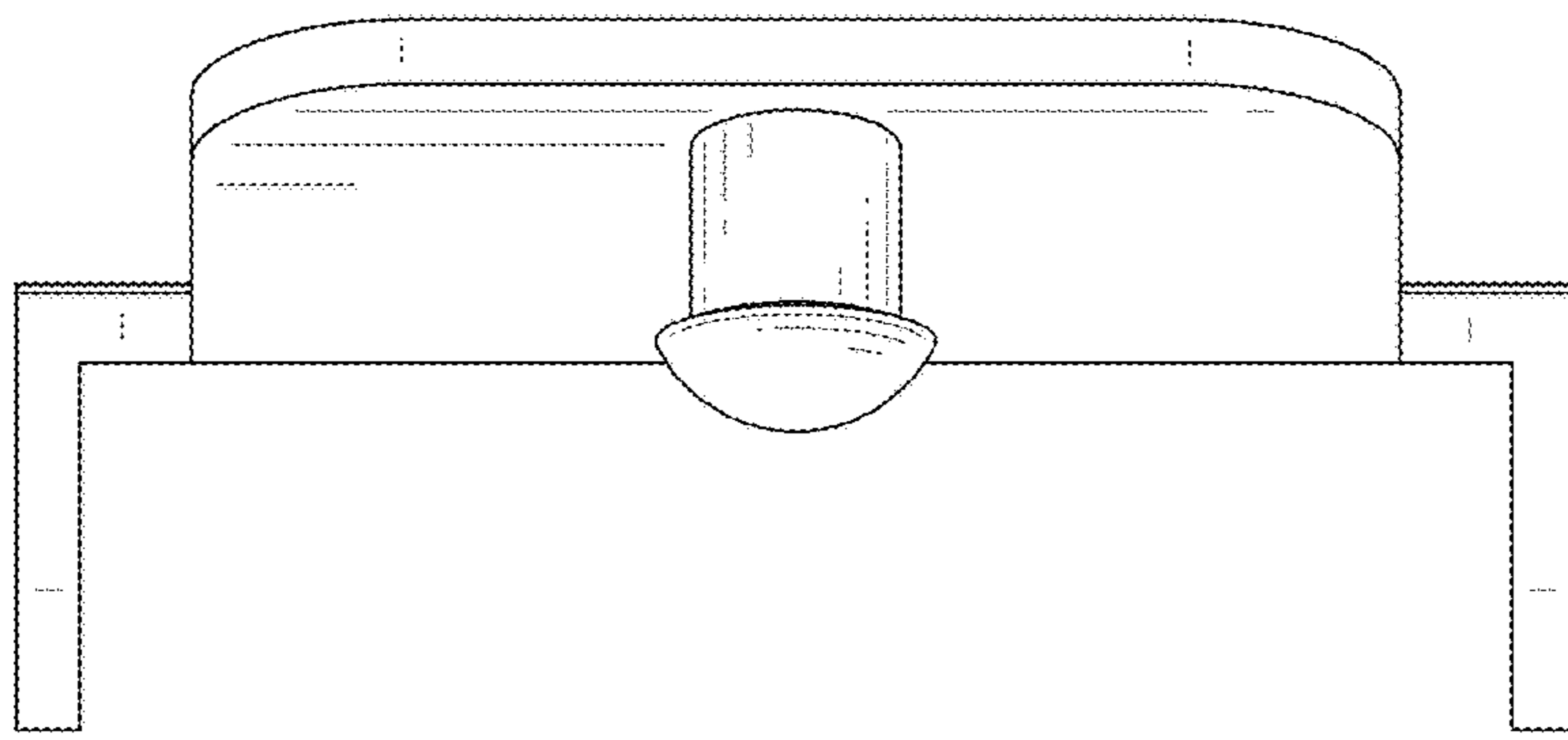


FIG. 7



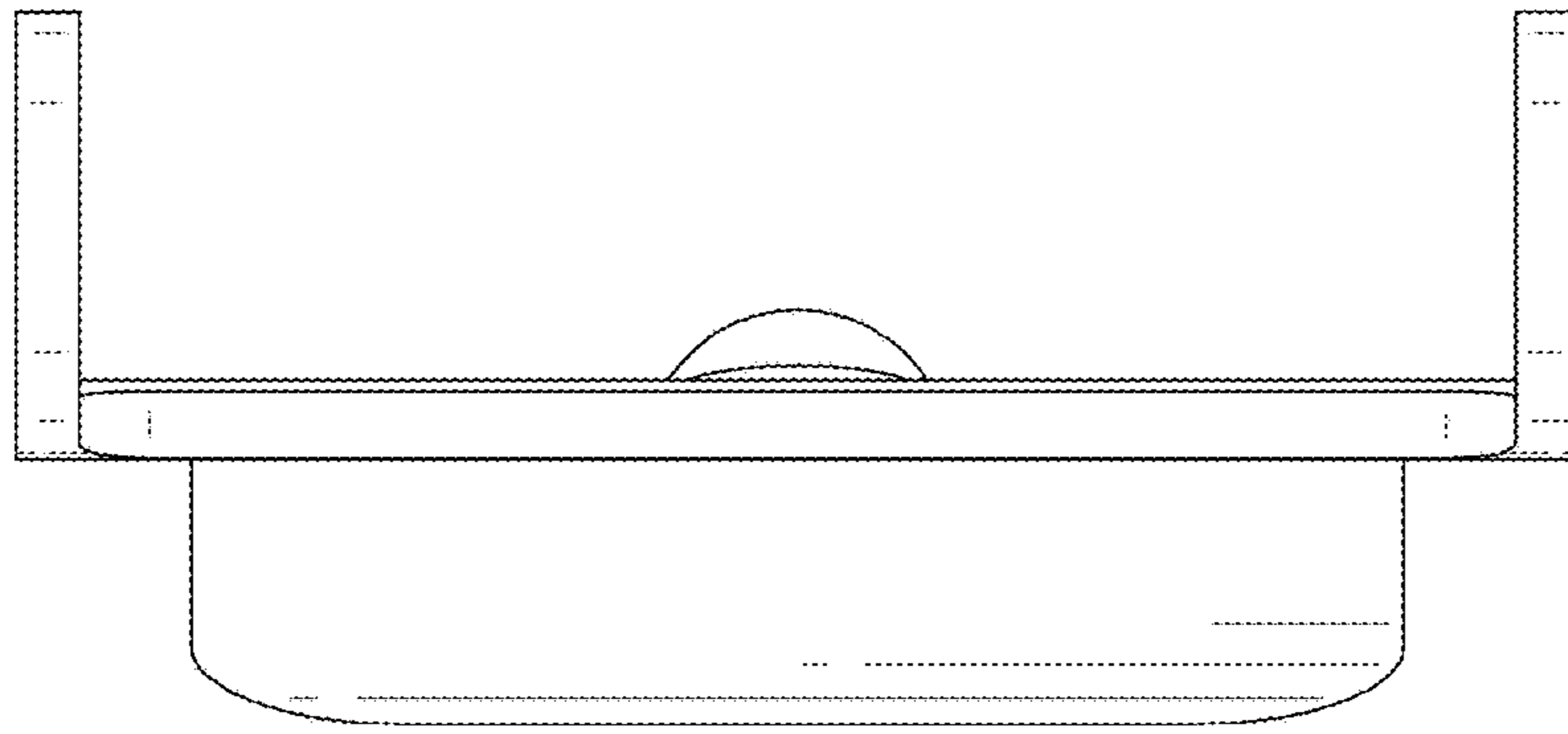


FIG. 8